



US00D598839S

(12) **United States Design Patent**  
**Wilhelm**

(10) **Patent No.:** **US D598,839 S**

(45) **Date of Patent:** **\*\* Aug. 25, 2009**

(54) **OPERATING CONSOLE FOR AN  
AUTOMOBILE**

D489,044 S \* 4/2004 Bremenkamp et al. .... D14/132

D575,724 S \* 8/2008 Tsay et al. .... D12/418

D580,345 S \* 11/2008 Paxton et al. .... D12/418

(75) Inventor: **Anke Wilhelm**, Stuttgart (DE)

(73) Assignee: **Dr. Ing. h.c. F. Porsche AG**, Weissach  
(DE)

(\*\*) Term: **14 Years**

(21) Appl. No.: **29/281,420**

(22) Filed: **Jun. 22, 2007**

(30) **Foreign Application Priority Data**

Dec. 27, 2006 (DE) ..... 4 06 06 488

(51) **LOC (9) Cl.** ..... **12-16**

(52) **U.S. Cl.** ..... **D12/418**

(58) **Field of Classification Search** ..... D12/192,  
D12/415, 418, 400, 195, 190, 416-419, 421-426.1;  
D10/102, 98, 122-127, 46; D15/17, 28;  
D14/113, 124, 126, 129, 132, 133, 100; 296/190.02,  
296/190.03, 190.04, 190.05, 190.06, 190.07,  
296/190.08, 190.09, 190, 191, 70, 929, 534;  
224/311, 359; 248/309.1; 180/90; 280/750-752;  
D23/327; 454/155; 16/110.1; D21/333;  
15/28

See application file for complete search history.

(56) **References Cited**

**U.S. PATENT DOCUMENTS**

D413,856 S \* 9/1999 Scribner ..... D12/418

\* cited by examiner

*Primary Examiner*—Caron Veynar

*Assistant Examiner*—George D Kirschbaum

(57) **CLAIM**

The ornamental design for an operating console for an automobile, as shown and described.

**DESCRIPTION**

FIG. 1 is a side perspective view of an operating console for an automobile, showing my new design;

FIG. 2 is a rear plan view thereof;

FIG. 3 is a front plan view thereof;

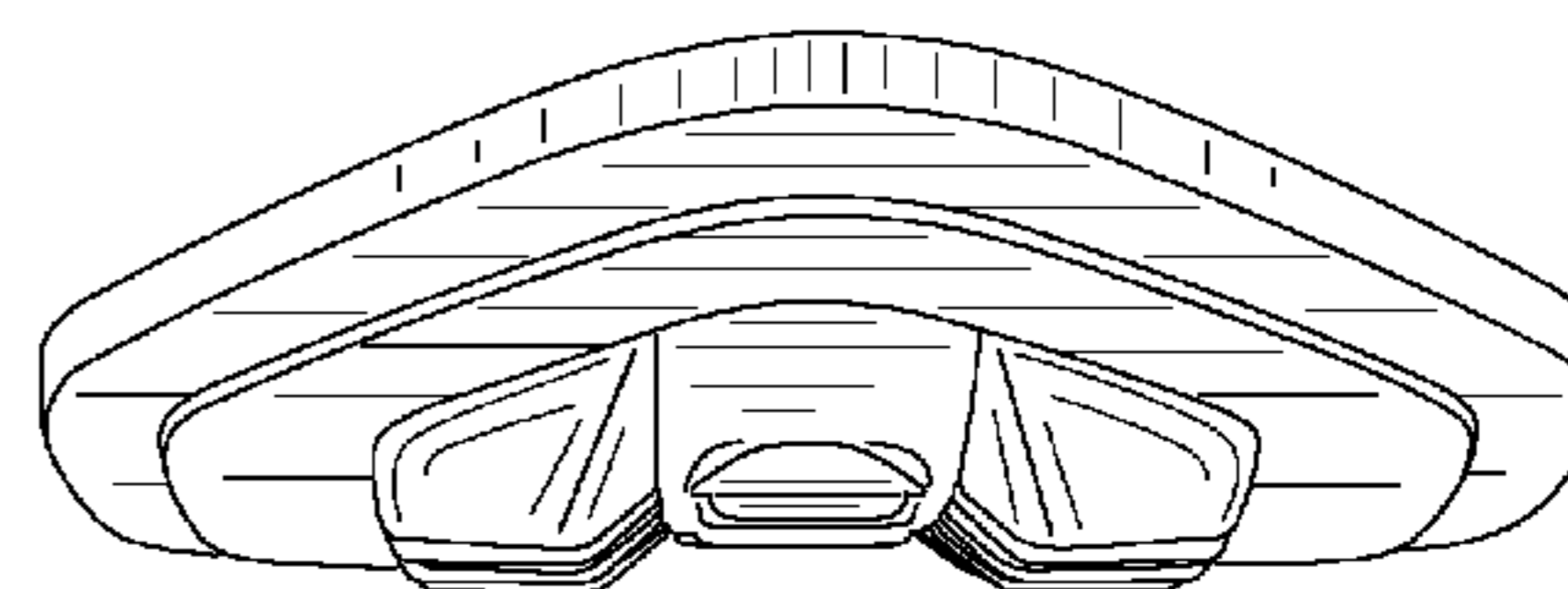
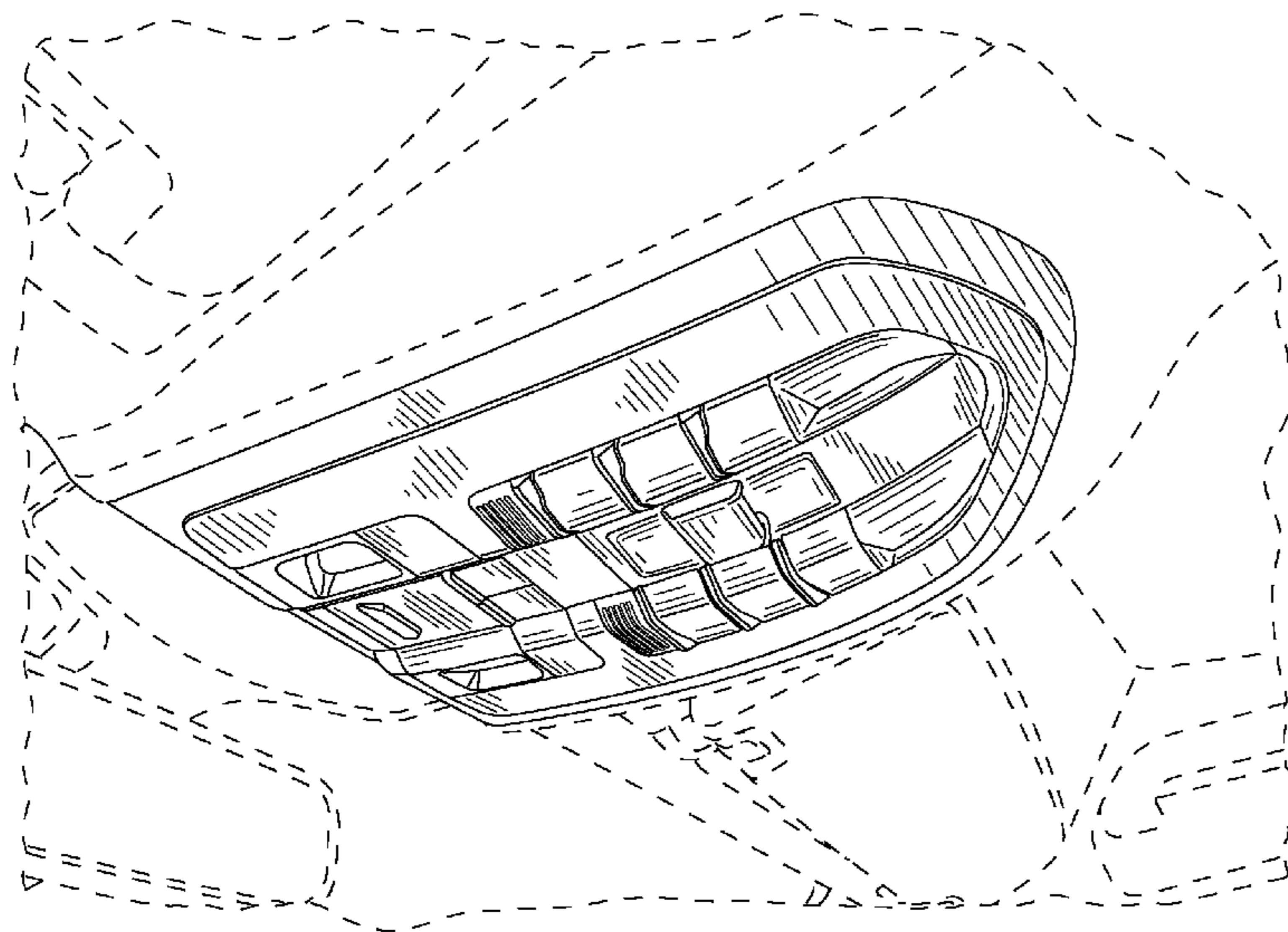
FIG. 4 is a bottom plan view thereof;

FIG. 5 is a left side view thereof; and,

FIG. 6 is a right side view thereof.

In the drawings, the broken line showing of roof elements depicts environmental subject matter and forms no part of the claim.

**1 Claim, 3 Drawing Sheets**



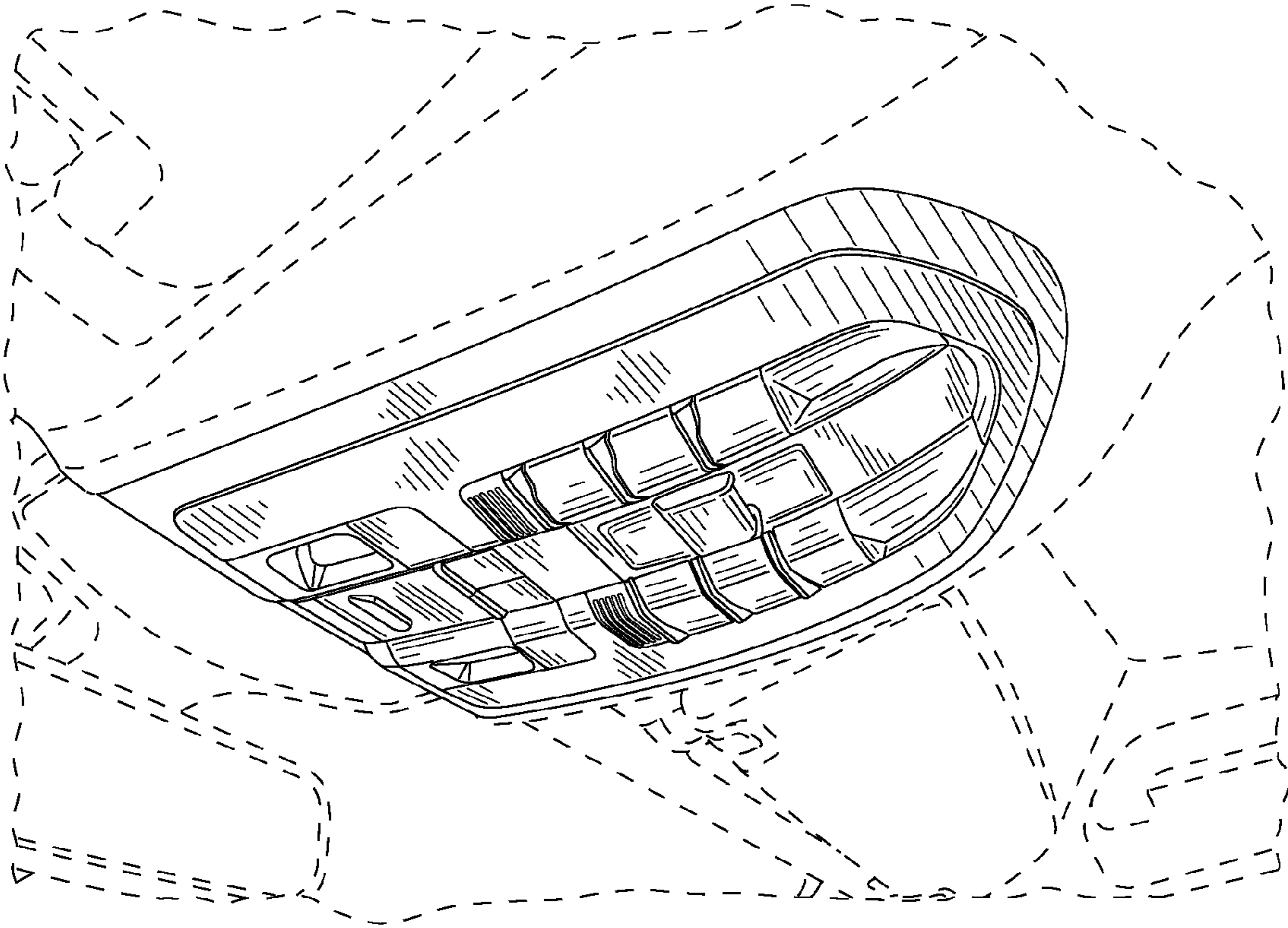


FIG. 1

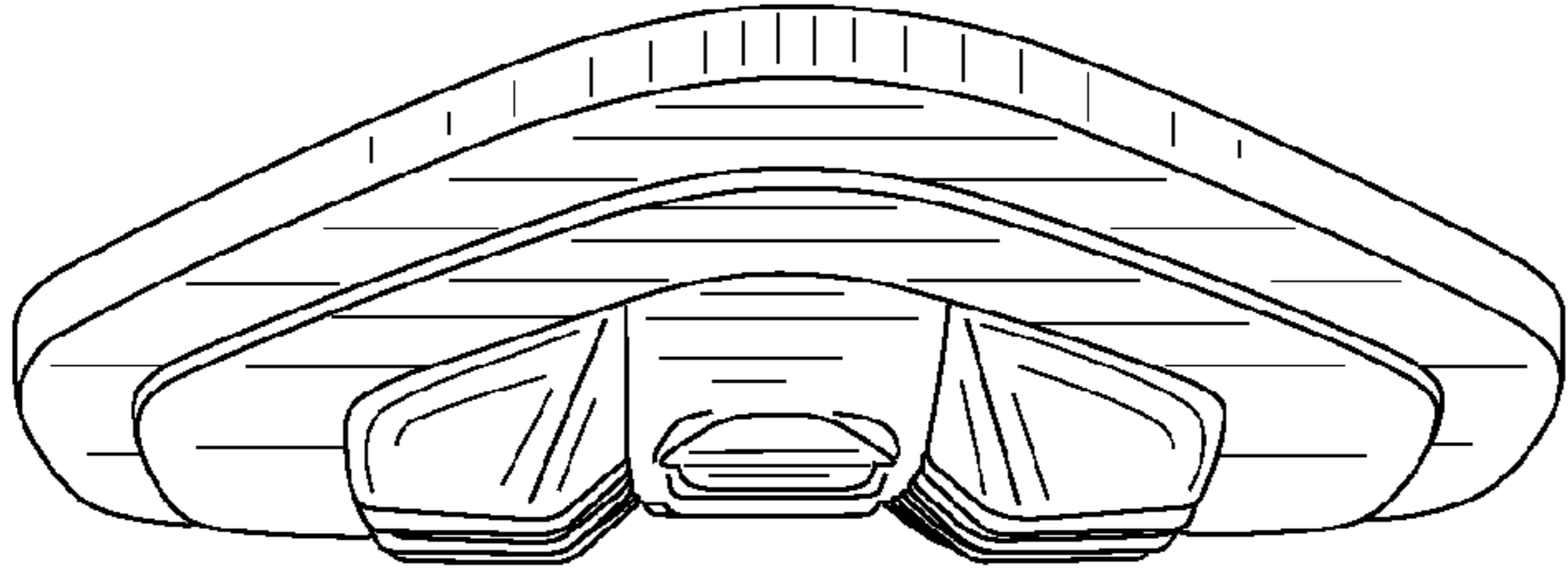


FIG. 2

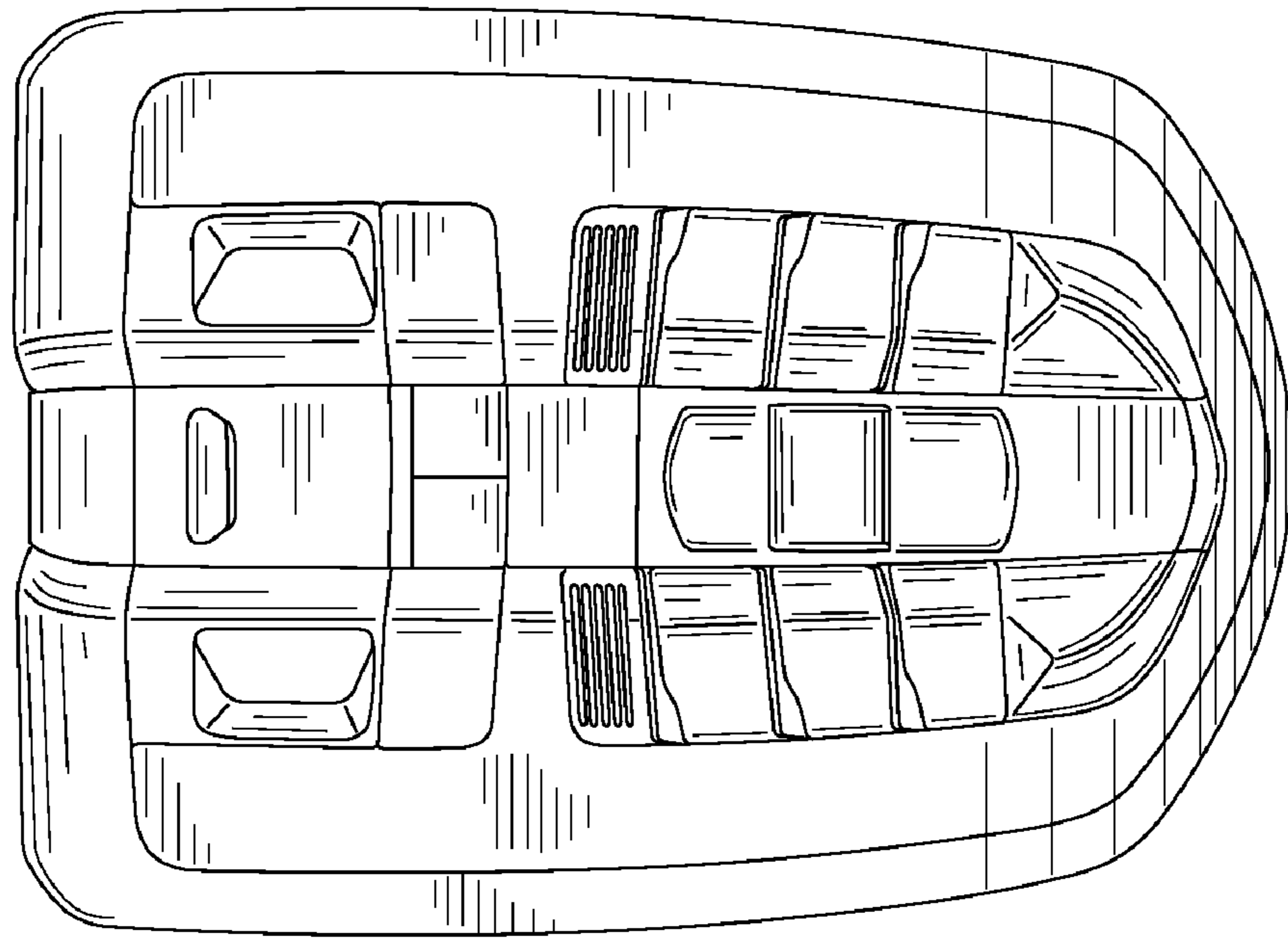


FIG. 3

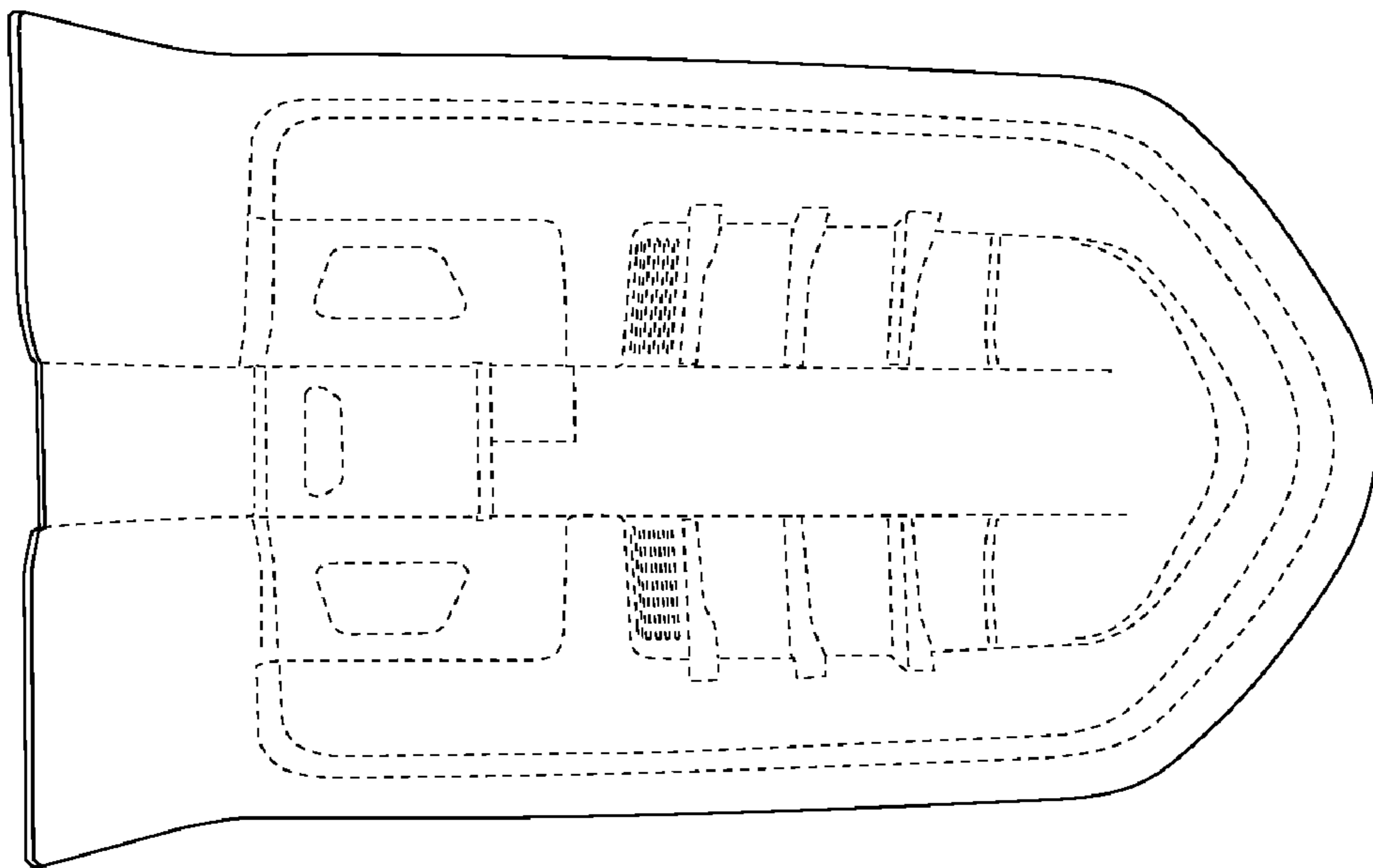


FIG. 4

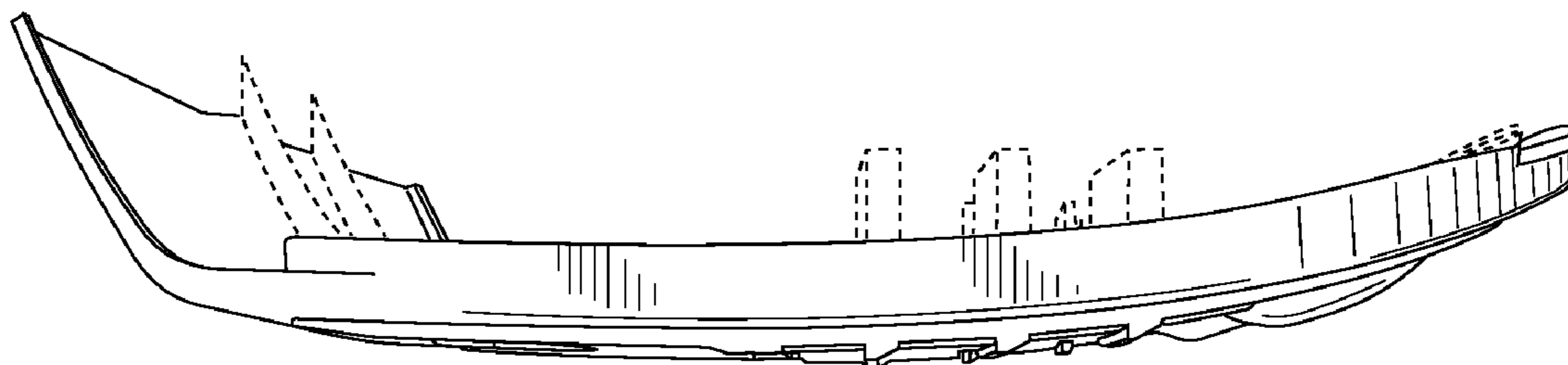


FIG. 5



FIG. 6