



US00D598837S

(12) **United States Design Patent**
Wänglund

(10) **Patent No.:** **US D598,837 S**

(45) **Date of Patent:** **** Aug. 25, 2009**

(54) **WINDSHIELD WIPER MOTOR**

(75) Inventor: **Lars Wänglund**, Johanneshov (SE)

(73) Assignee: **Roca Industry AB**, Tyreso (SE)

(**) Term: **14 Years**

(21) Appl. No.: **29/332,045**

(22) Filed: **Feb. 6, 2009**

(51) **LOC (9) Cl.** **12-16**

(52) **U.S. Cl.** **D12/220**

(58) **Field of Classification Search** D12/219-220;
15/246, 247, 250.001, 250.361, 250.19, 250.48,
15/250.03, 250.31-250.33, 250.351, 250.38,
15/250.201, 250.451, 250.458, 250.04, 250.07,
15/250.44

See application file for complete search history.

(56) **References Cited**

U.S. PATENT DOCUMENTS

2005/0097698	A1 *	5/2005	Yagi et al.	15/250.3
2006/0117514	A1 *	6/2006	Yagi et al.	15/250.3
2007/0226939	A1 *	10/2007	Takada	15/250.31
2008/0189895	A1 *	8/2008	Bruneau et al.	15/250.31
2008/0201890	A1 *	8/2008	Boos	15/250.31

OTHER PUBLICATIONS

Roca W10 Std. Windscreen Wiper Motor, www.rocaindustry.com (2008).

Roca W10 WP Waterproof Windscreen Wiper Motor, www.rocaindustry.com (2008).

Marinco AFI 1.5 Wiper Motor, www.marinco.com (2008).

Marinco AFI 2.5 Wiper Motor, www.marinco.com (2008).

Marinco AFI 1000 Wiper Motor, www.marinco.com (2008).

AM 208 Series Oscillating Wiper Motor, www.amequipment.com (2008).

AM 212 Series Oscillating Wiper Motor, www.amequipment.com (2008).

TMC International Industries, Inc. Model # TMC-00905-12V Heavy Duty Marine Wiper Motor with Shaft Cover, www.tmcin.com (2008).

* cited by examiner

Primary Examiner—Caron Veynar

Assistant Examiner—Katrina A Kile

(74) *Attorney, Agent, or Firm*—Dickstein Shapiro LLP

(57) **CLAIM**

The ornamental design for a windshield wiper motor, as shown and described.

DESCRIPTION

FIG. 1 is a back perspective view of the windshield wiper motor of the present invention;

FIG. 2 is a front perspective view thereof;

FIG. 3 is a back view thereof;

FIG. 4 is a front view thereof;

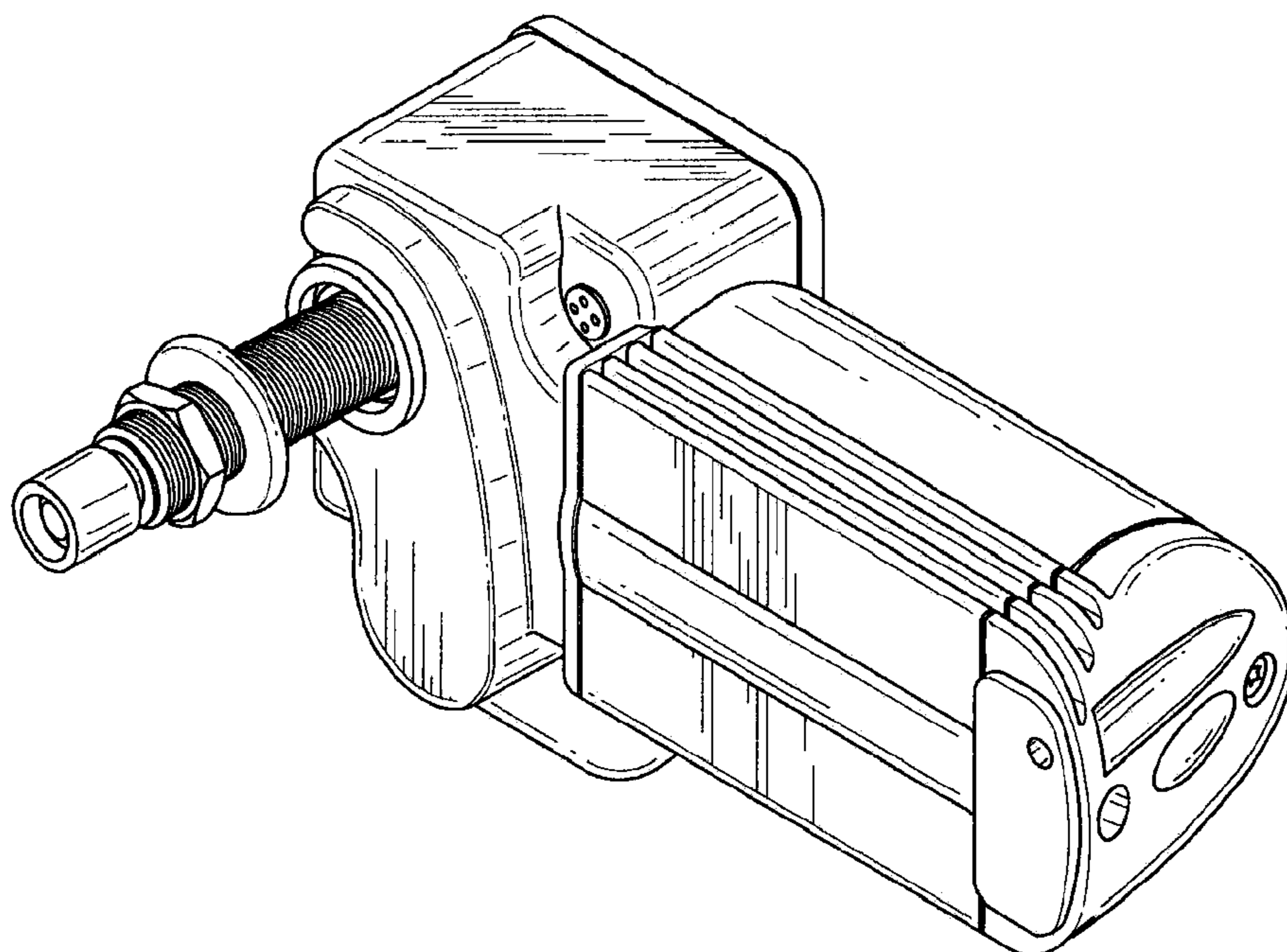
FIG. 5 is a top view thereof;

FIG. 6 is a bottom view thereof;

FIG. 7 is a right side view thereof; and,

FIG. 8 is a left side view thereof.

1 Claim, 4 Drawing Sheets



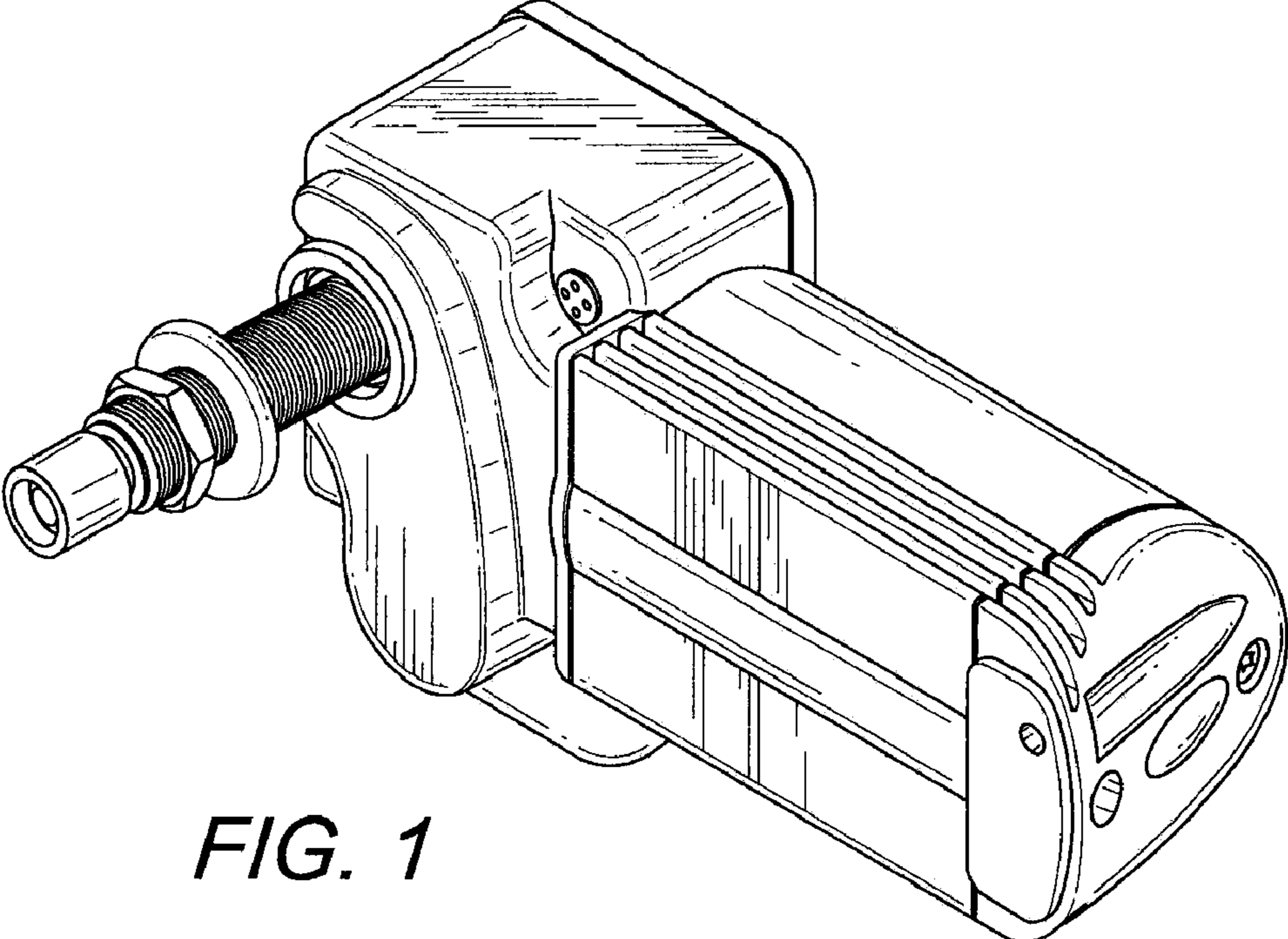


FIG. 1

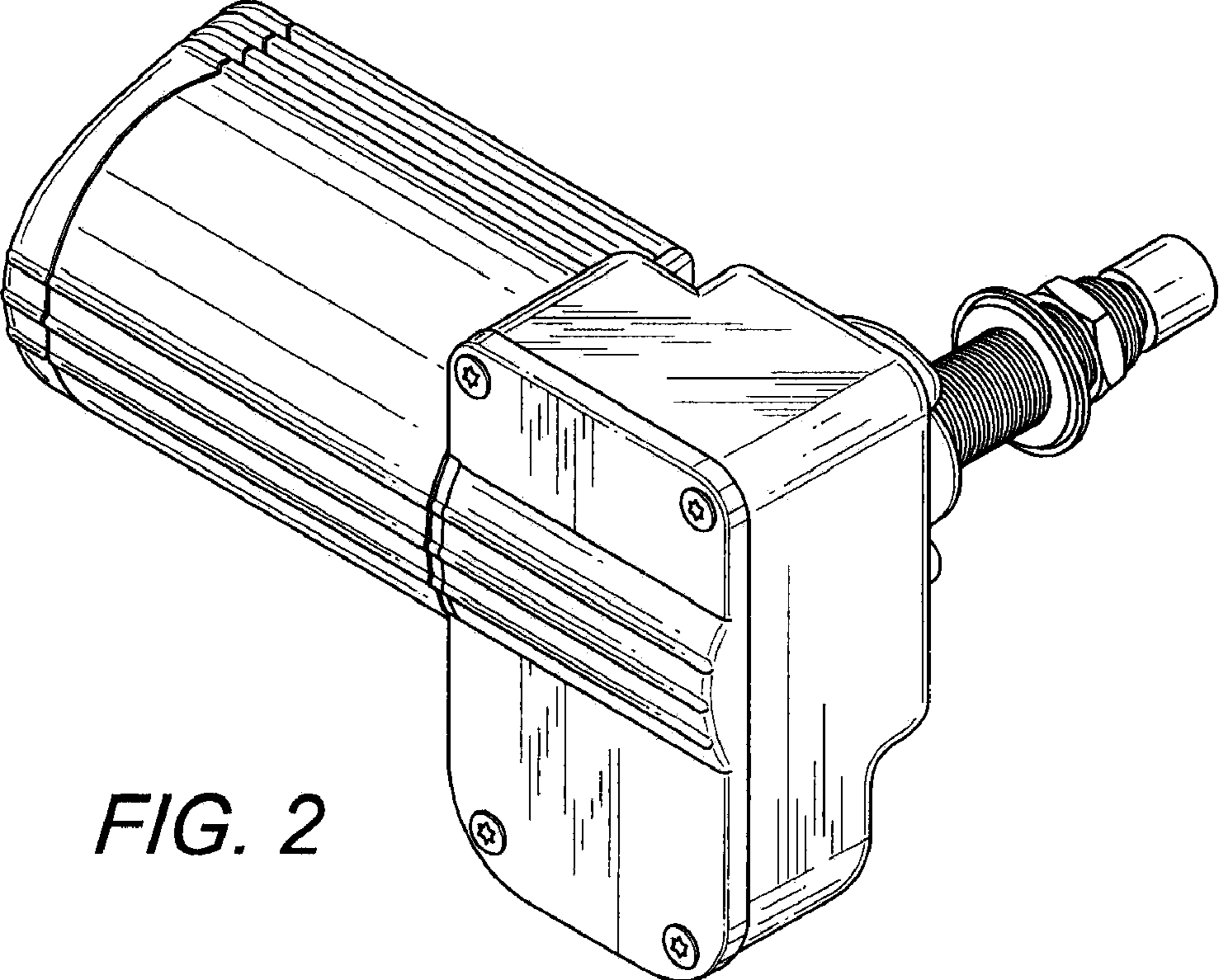


FIG. 2

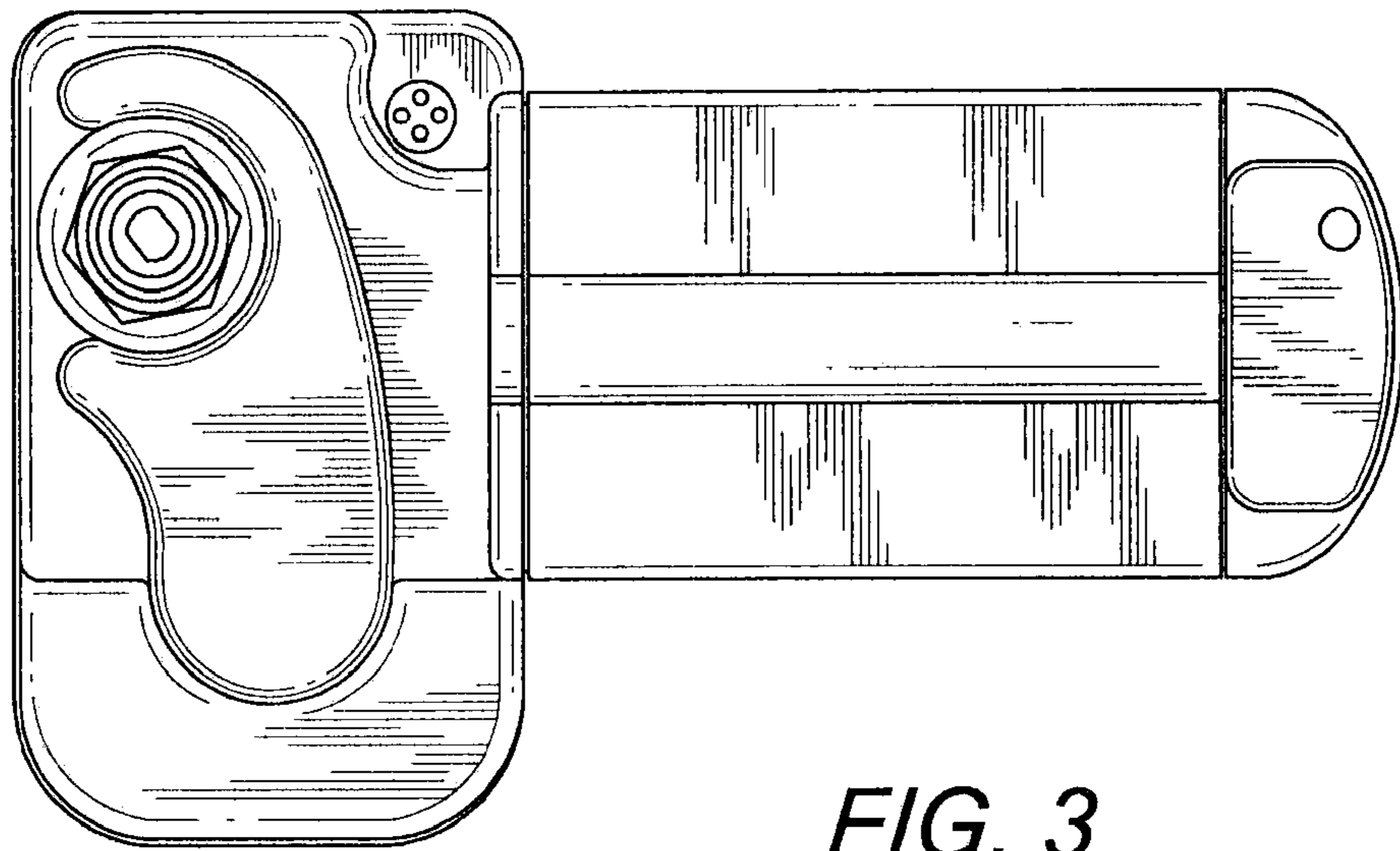


FIG. 3

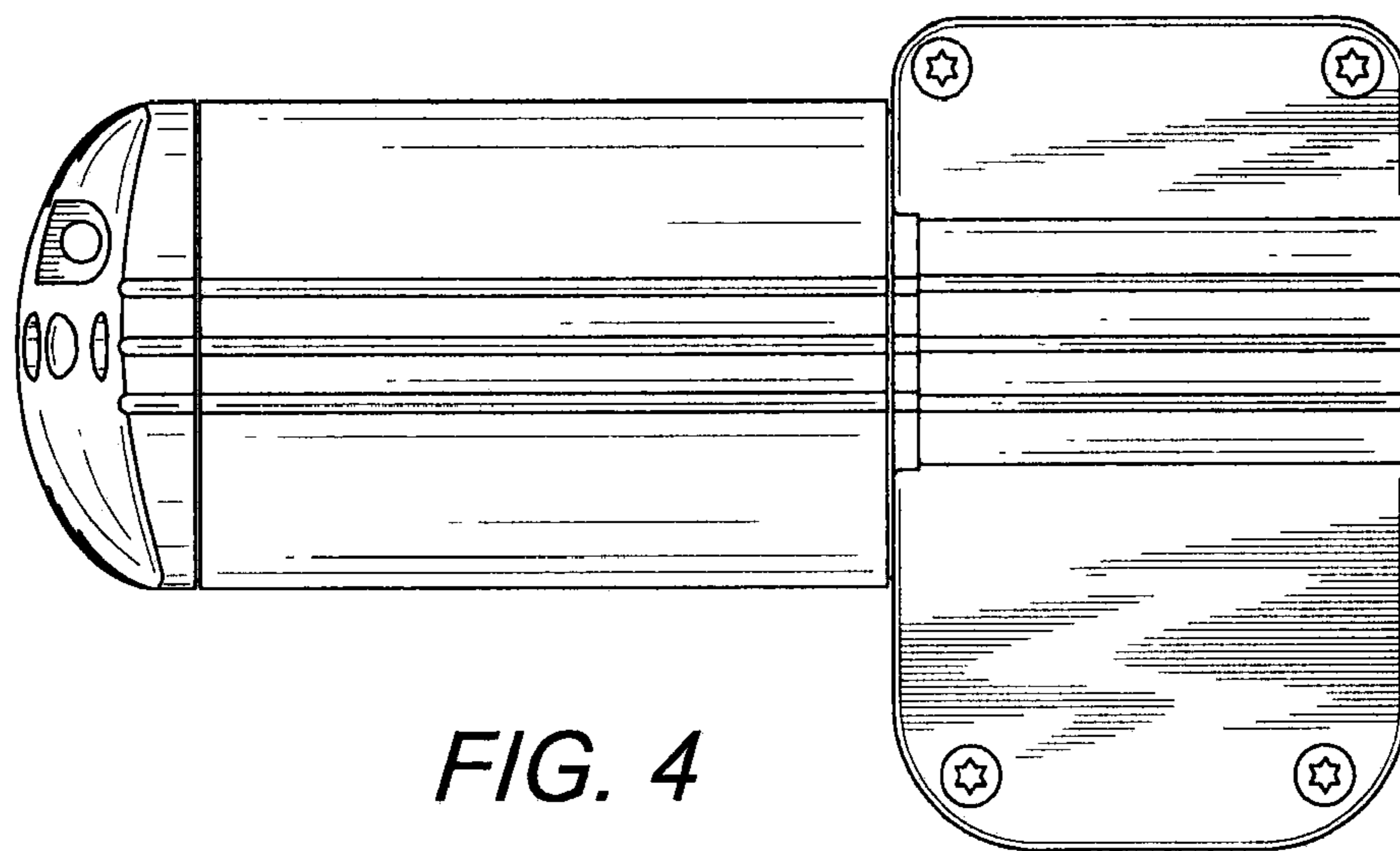


FIG. 4

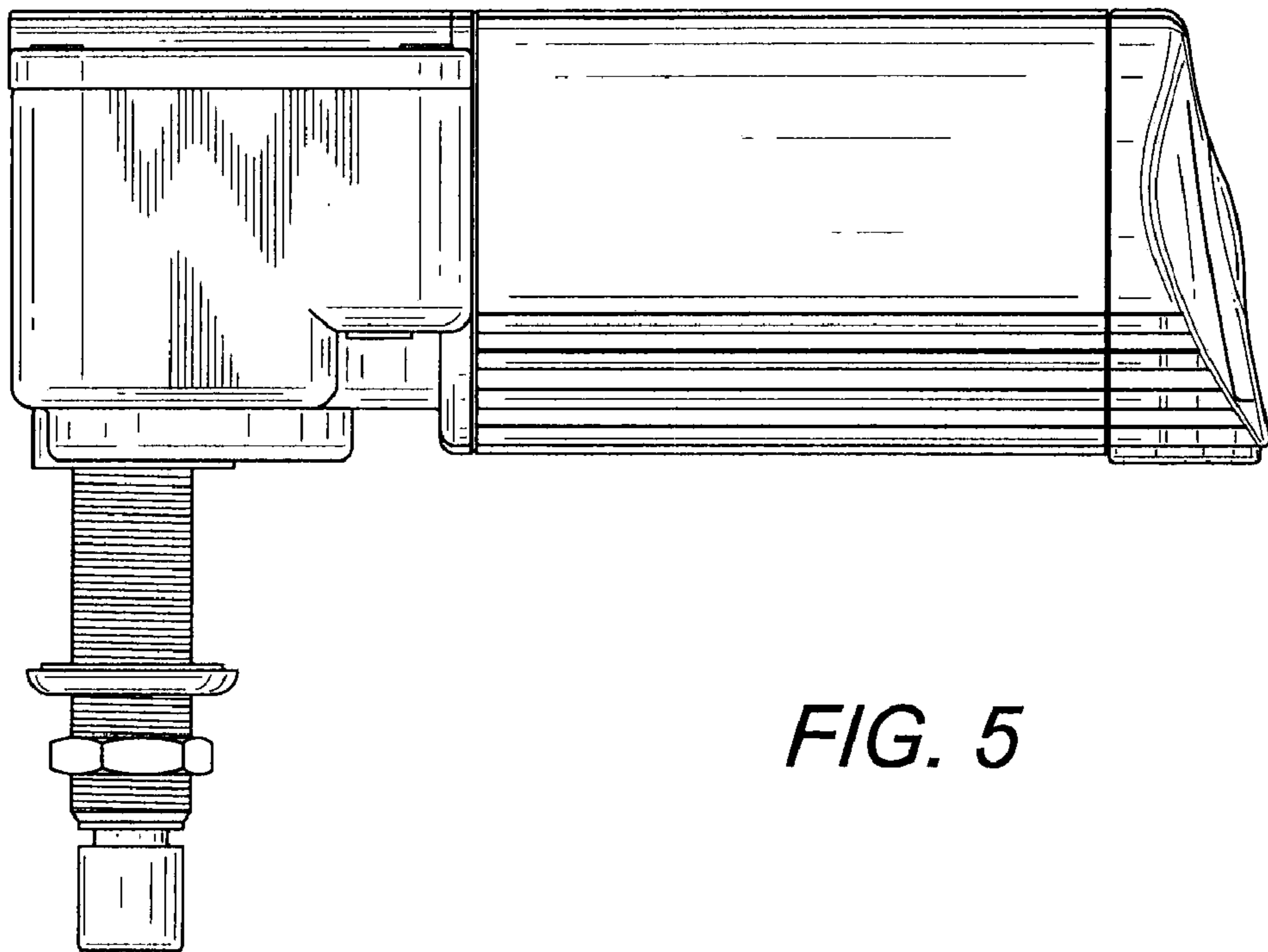


FIG. 5

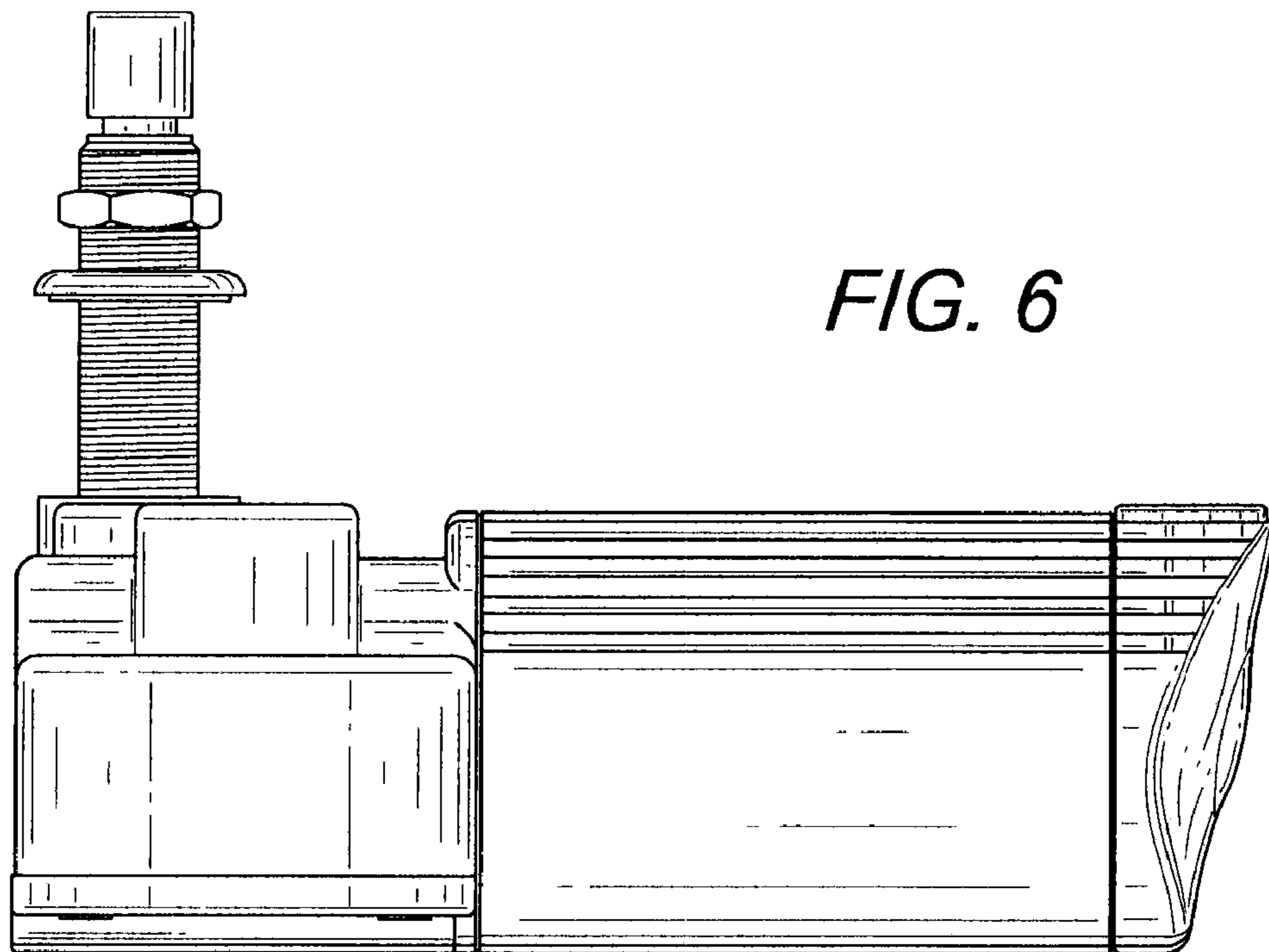


FIG. 6

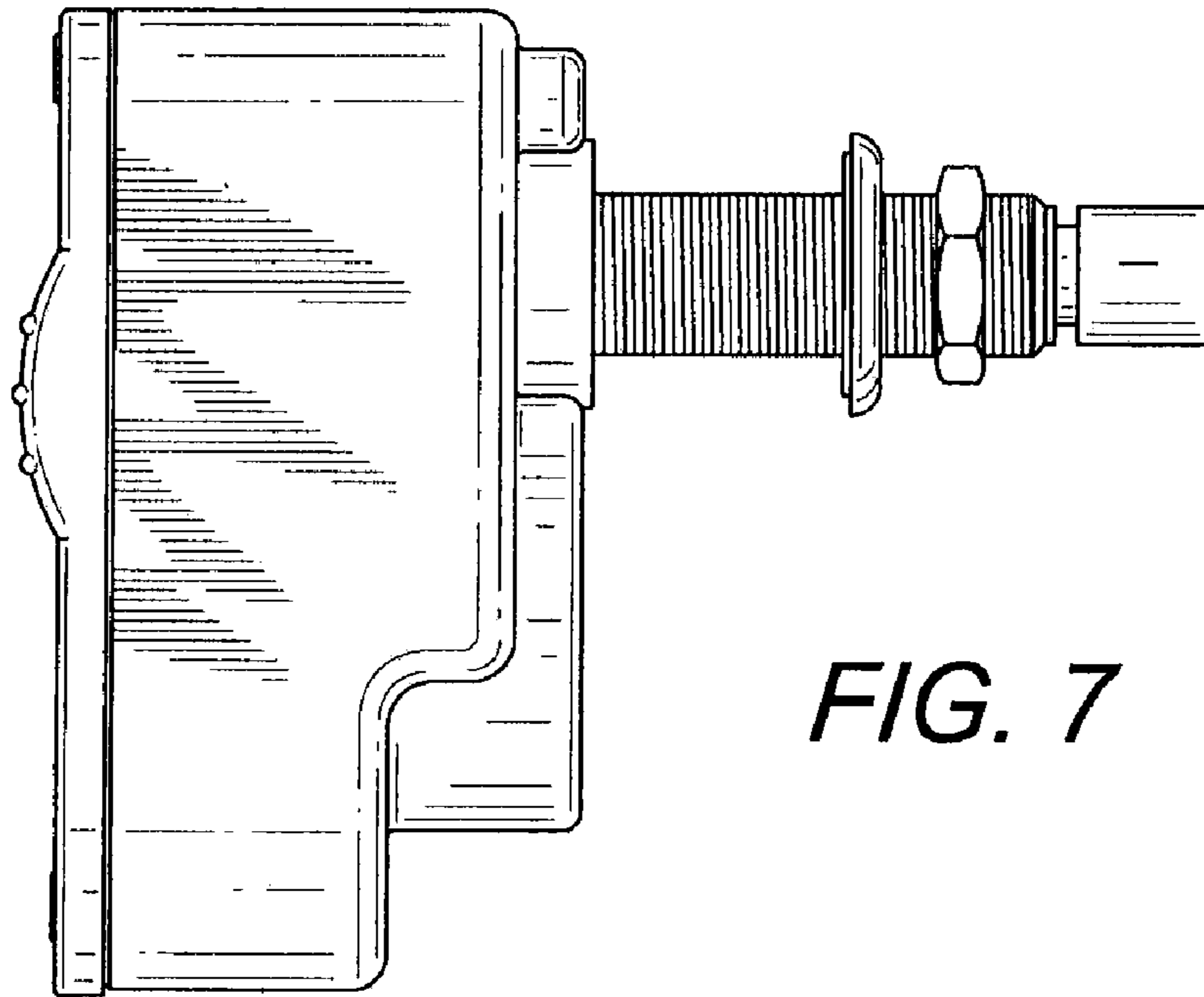


FIG. 7

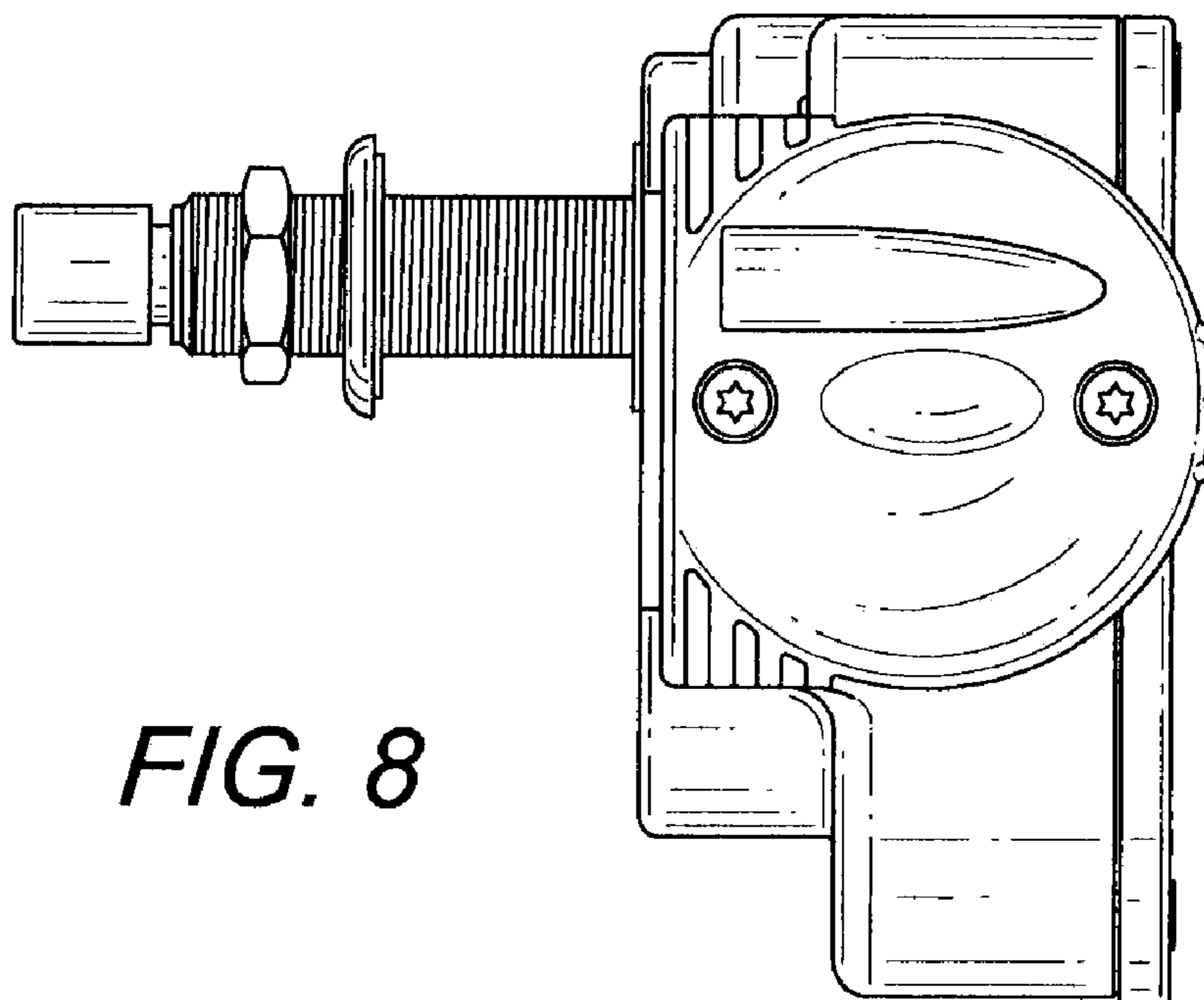


FIG. 8