



US00D598835S

(12) **United States Design Patent**
DeGeorge et al.

(10) **Patent No.:** **US D598,835 S**

(45) **Date of Patent:** **** Aug. 25, 2009**

(54) **WHEEL**

(75) Inventors: **Grant DeGeorge**, Strongsville, OH (US); **Jen Frato**, Stilwell, KS (US); **Michael Doran**, Lakewood, OH (US)

(73) Assignee: **Alcoa Inc.**, Pittsburgh, PA (US)

(**) Term: **14 Years**

(21) Appl. No.: **29/320,682**

(22) Filed: **Jul. 1, 2008**

(51) **LOC (9) Cl.** **12-16**

(52) **U.S. Cl.** **D12/209**

(58) **Field of Classification Search** D12/204–213;
301/37.101, 64.101, 65, 64.201
See application file for complete search history.

(56) **References Cited**

U.S. PATENT DOCUMENTS

D103,779 S *	3/1937	Hunt	D12/209
D236,610 S *	9/1975	Clement	D12/209
D250,703 S *	1/1979	Taitani et al.	D12/209
4,165,131 A *	8/1979	Thompson	301/65
D356,538 S *	3/1995	Botterman	D12/209
D358,797 S *	5/1995	Botterman	D12/209
D360,867 S *	8/1995	Botterman	D12/211
D361,052 S *	8/1995	Clements et al.	D12/209
D388,760 S *	1/1998	Sacco et al.	D12/209
5,829,136 A	11/1998	Botterman et al.		
D496,315 S *	9/2004	Pfeiffer et al.	D12/209
D502,908 S *	3/2005	Mahachanh et al.	D12/209
D504,378 S *	4/2005	Grossenbacher et al.	...	D12/209

D519,433 S	4/2006	Finn et al.		
D521,918 S *	5/2006	Mahachanh et al.	D12/209
D521,919 S *	5/2006	Mahachanh et al.	D12/209

OTHER PUBLICATIONS

U.S. Appl. No. 29/334,306, filed Mar. 24, 2009, DeGeorge et al.
U.S. Appl. No. 29/334,312, filed Mar. 24, 2009, DeGeorge et al.
“Wheel With Round Hand Holes” (GA89364M), document generated circa May 2008 (based upon engineering drawings earlier generated circa 2004).

* cited by examiner

Primary Examiner—Cathron C Brooks

Assistant Examiner—Austin Murphy

(74) *Attorney, Agent, or Firm*—Greenberg Traurig, LLP

(57) **CLAIM**

The ornamental design for a wheel, as shown and described.

DESCRIPTION

FIG. 1 is a perspective view of a wheel in accordance with our new design (wherein the wheel is shown without a tire mounted thereon);

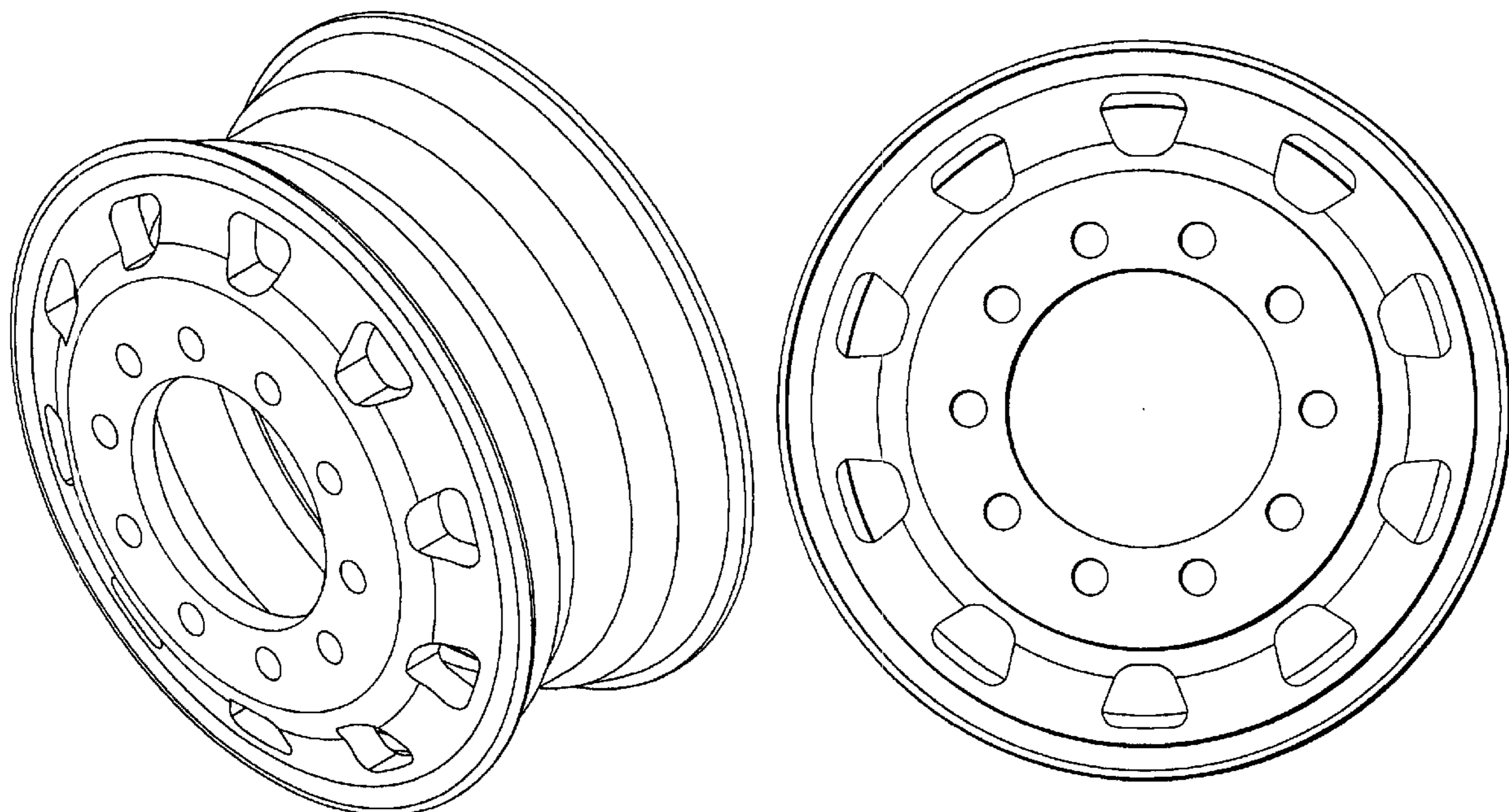
FIG. 2 is a front view of the wheel of FIG. 1 (wherein the wheel is shown without a tire mounted thereon);

FIG. 3 is a top view of the wheel of FIG. 1 (wherein the wheel is shown without a tire mounted thereon);

FIG. 4 is a side view of the wheel of FIG. 1 (wherein the wheel is shown without a tire mounted thereon); and,

FIG. 5 is a rear view of the wheel of FIG. 1 (wherein the wheel is shown without a tire mounted thereon).

1 Claim, 4 Drawing Sheets



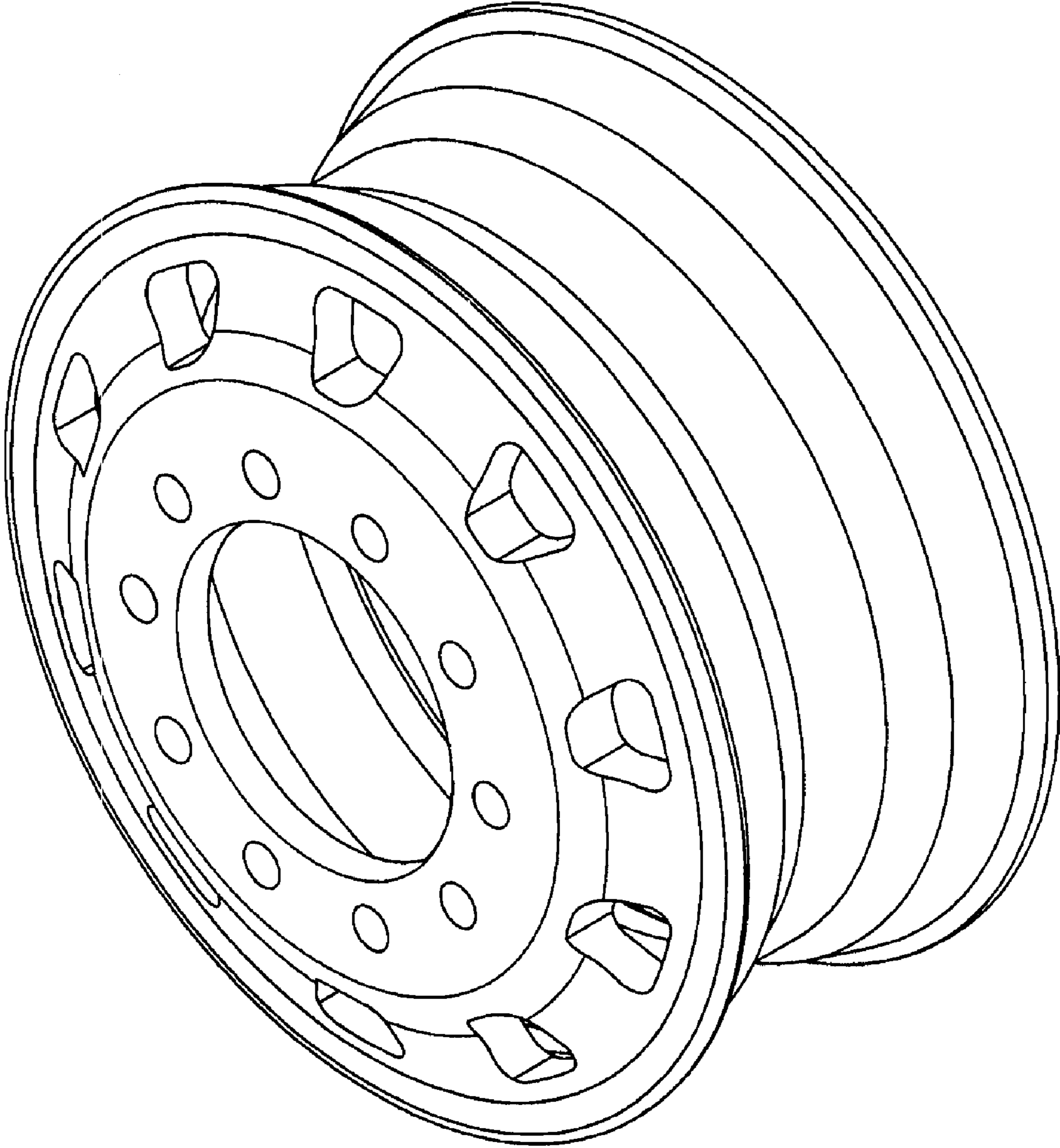


FIG. 1

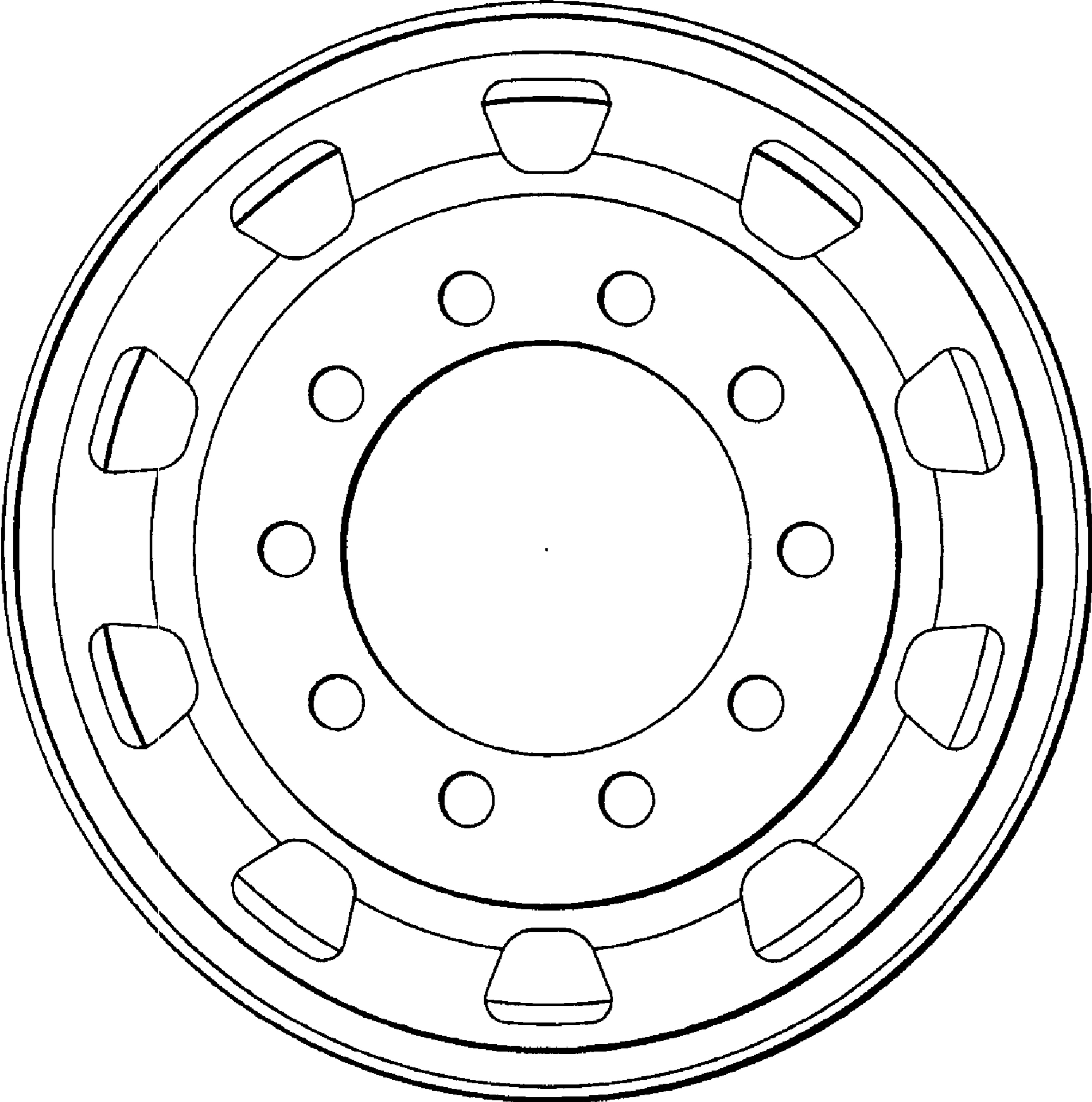


FIG.2

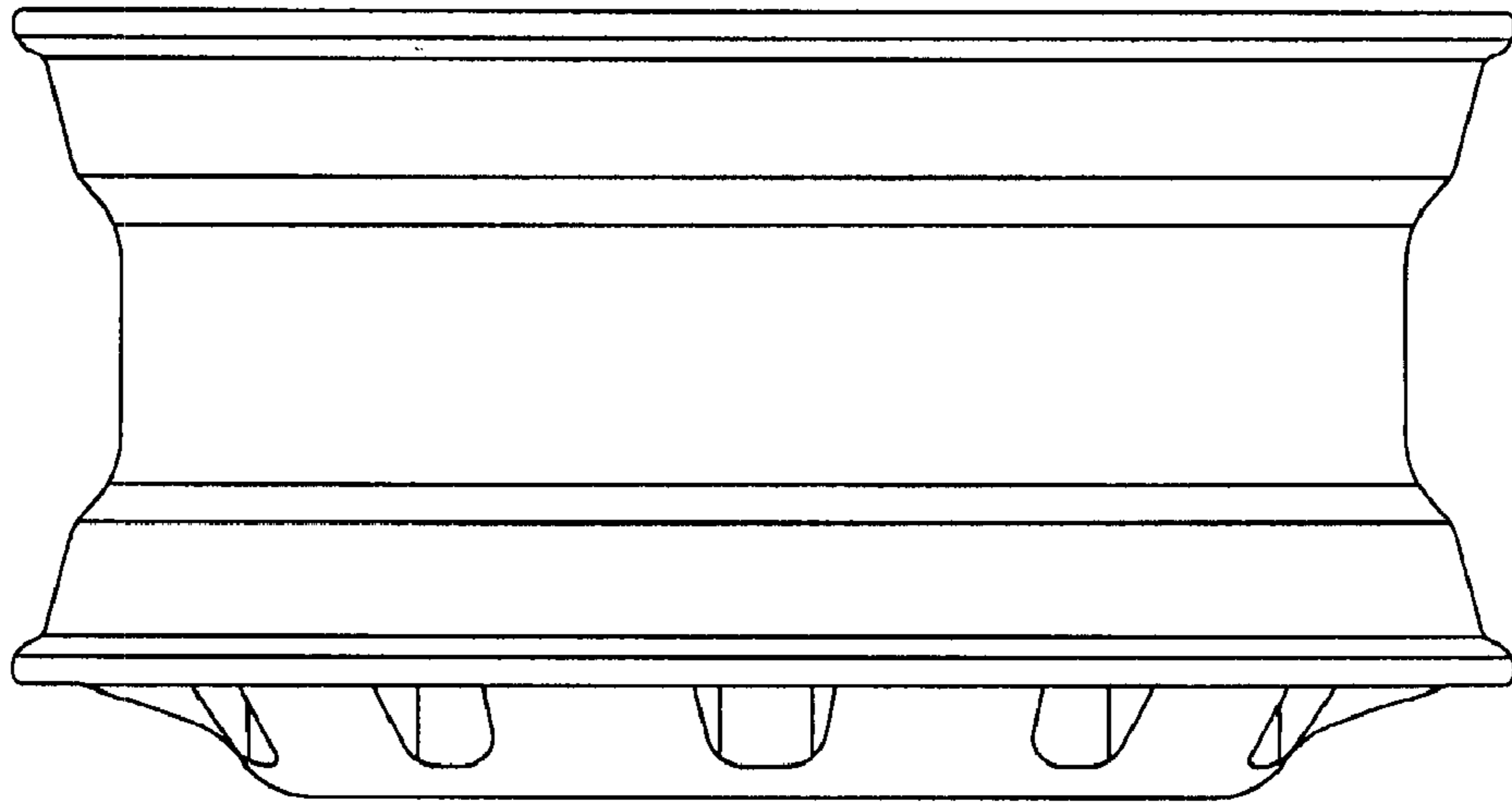


FIG. 3

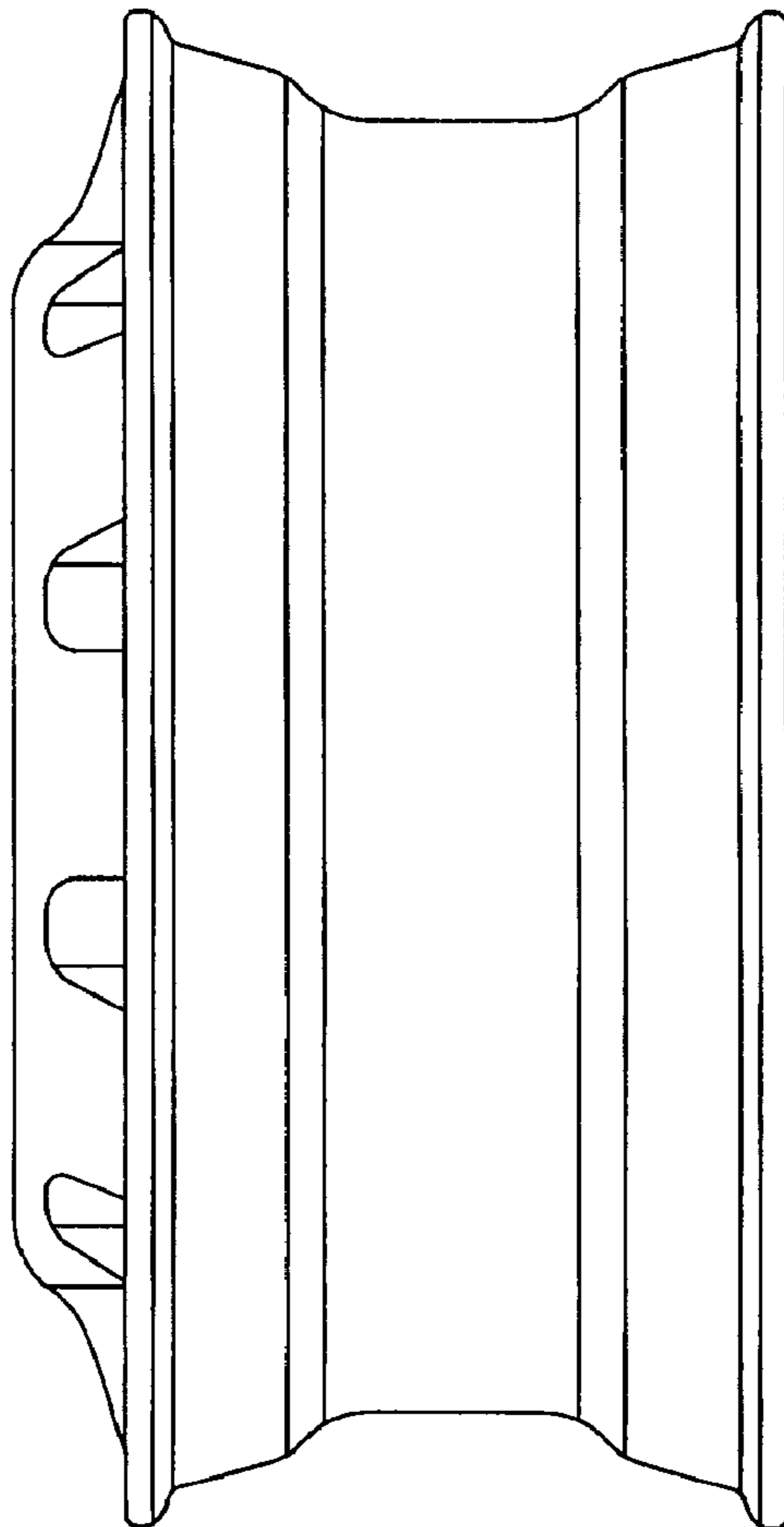


FIG. 4

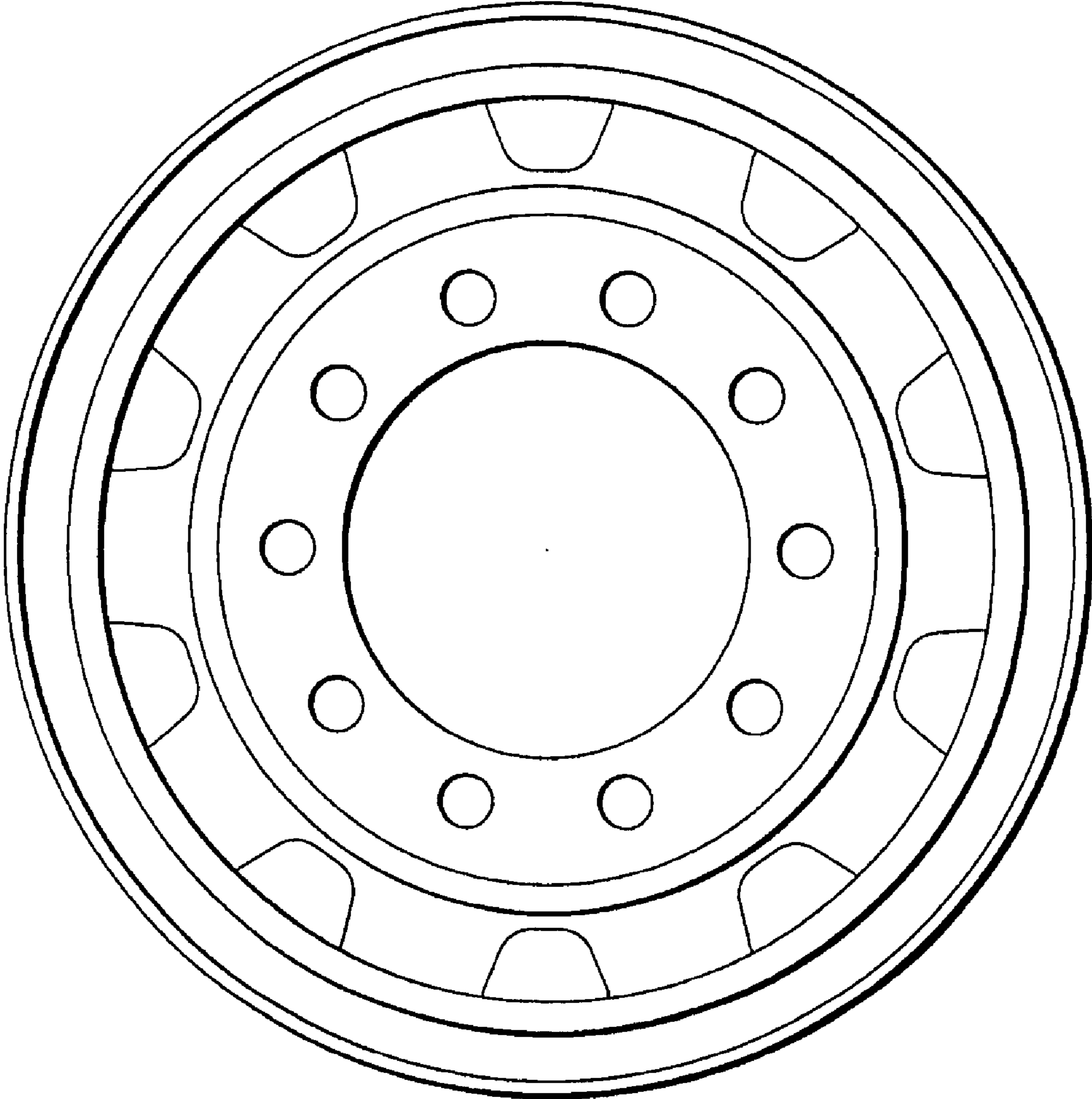


FIG.5