

US00D598834S

(12) **United States Design Patent**
Juergens et al.

(10) **Patent No.:** **US D598,834 S**

(45) **Date of Patent:** **** Aug. 25, 2009**

(54) **FRONT FACE OF A VEHICLE WHEEL**

(75) Inventors: **Dirk Juergens**, Munich (DE); **Rainer Mueller**, Munich (DE)

(73) Assignee: **Bayerische Motoren Werke Aktiengesellschaft**, Munich (DE)

(**) Term: **14 Years**

(21) Appl. No.: **29/287,172**

(22) Filed: **Jul. 6, 2007**

(30) **Foreign Application Priority Data**

Jan. 9, 2007 (DE) 4 07 00 144

(51) **LOC (9) Cl.** **12-16**

(52) **U.S. Cl.** **D12/209**

(58) **Field of Classification Search** D12/204-213;
301/37.101, 64.101, 65, 64.201

See application file for complete search history.

(56) **References Cited**

U.S. PATENT DOCUMENTS

- D402,251 S * 12/1998 Timm D12/211
- D405,749 S * 2/1999 Kulla D12/211
- D416,849 S * 11/1999 Weidhase D12/211
- D432,974 S * 10/2000 Jablonski D12/211
- D450,647 S * 11/2001 Pfeiffer D12/211
- D488,420 S * 4/2004 Murkett et al. D12/209
- D493,404 S * 7/2004 Baum D12/211
- D494,525 S * 8/2004 Borkert D12/211
- D504,097 S * 4/2005 Markefka D12/209

- D521,438 S * 5/2006 Nordmann D12/211
- D526,610 S * 8/2006 Muzzarelli D12/211
- D528,061 S * 9/2006 Saridakis et al. D12/211
- D530,252 S * 10/2006 Gabath D12/209
- D537,767 S * 3/2007 Pfeiffer D12/211
- D538,216 S * 3/2007 Sycha D12/209
- D540,239 S * 4/2007 Pfeiffer D12/211
- D540,240 S * 4/2007 Kountouras D12/211
- D542,728 S * 5/2007 Ichinose D12/211
- D558,118 S * 12/2007 Hueller D12/211
- D567,165 S * 4/2008 Truebsbach D12/209
- D567,167 S * 4/2008 Forster D12/211
- D581,851 S * 12/2008 Scheu D12/211

FOREIGN PATENT DOCUMENTS

EM 000380852-0004 10/2005

* cited by examiner

Primary Examiner—Cathron C Brooks

Assistant Examiner—Austin Murphy

(74) *Attorney, Agent, or Firm*—Crowell & Moring LLP

(57) **CLAIM**

The ornamental design for a front face of a vehicle wheel, as shown and described.

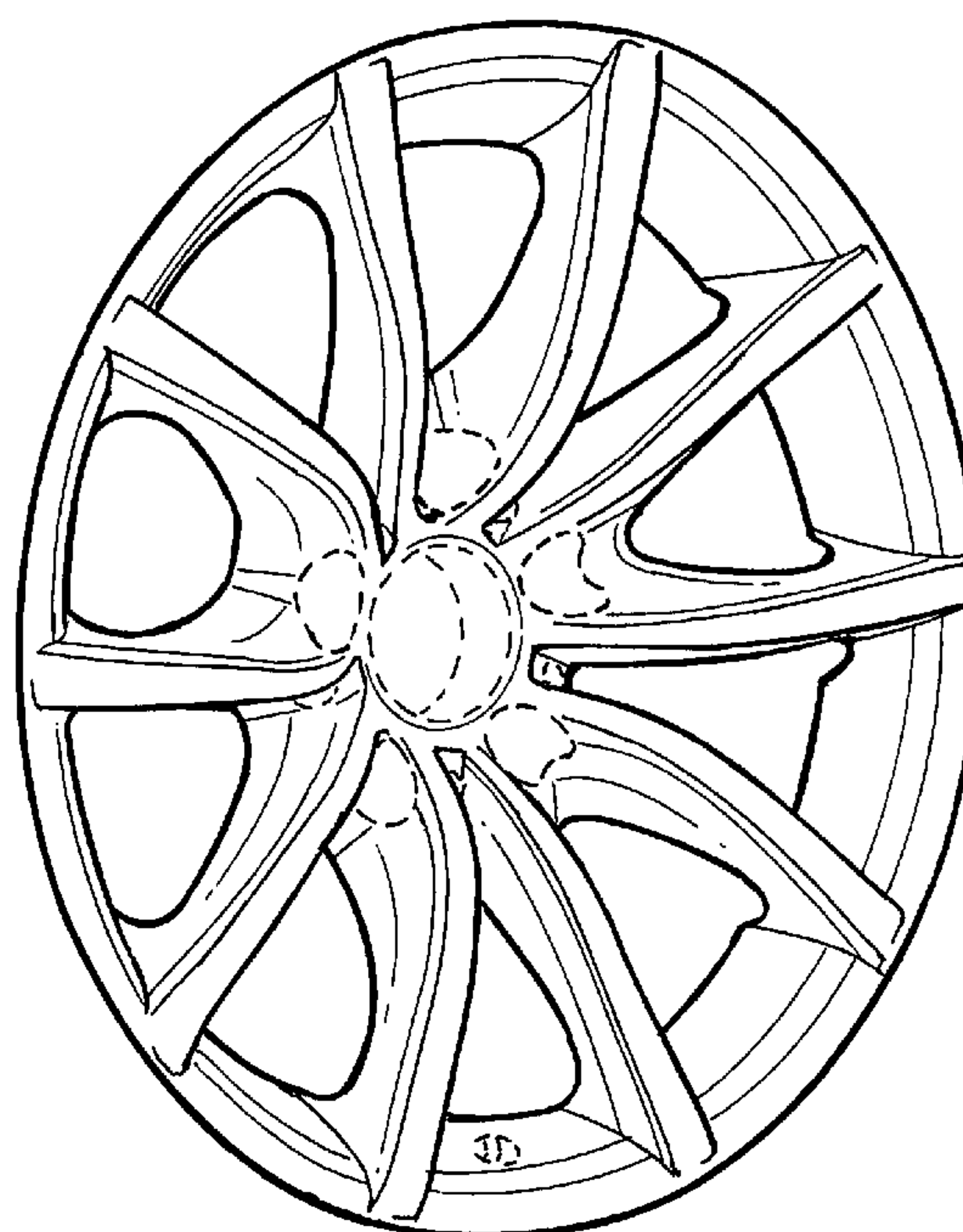
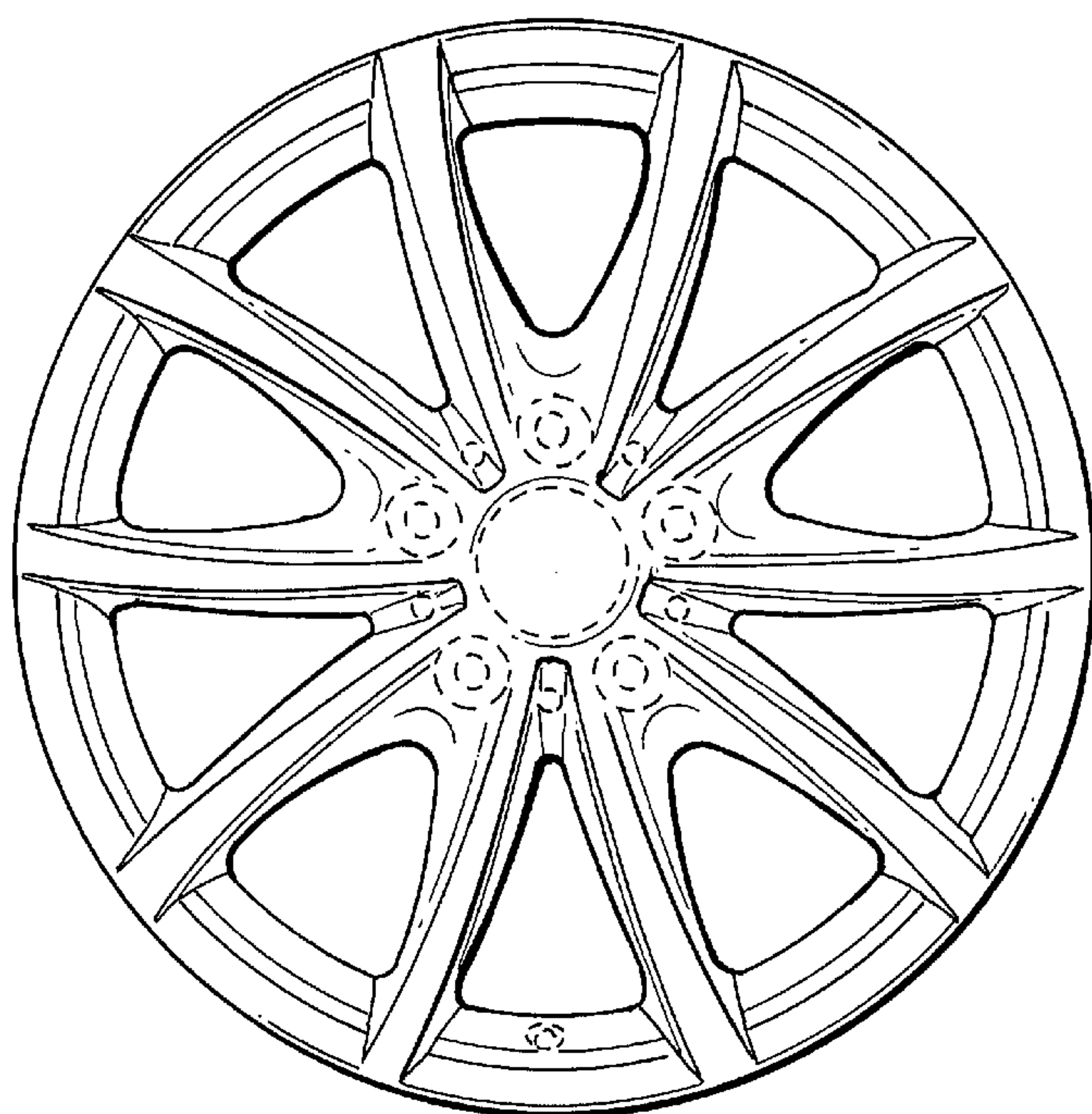
DESCRIPTION

FIG. 1 is a front view of a front face of a vehicle wheel according to our design; and,

FIG. 2 is a perspective view thereof.

The broken lines are for illustrative purposes only and form no part of the claimed design.

1 Claim, 1 Drawing Sheet



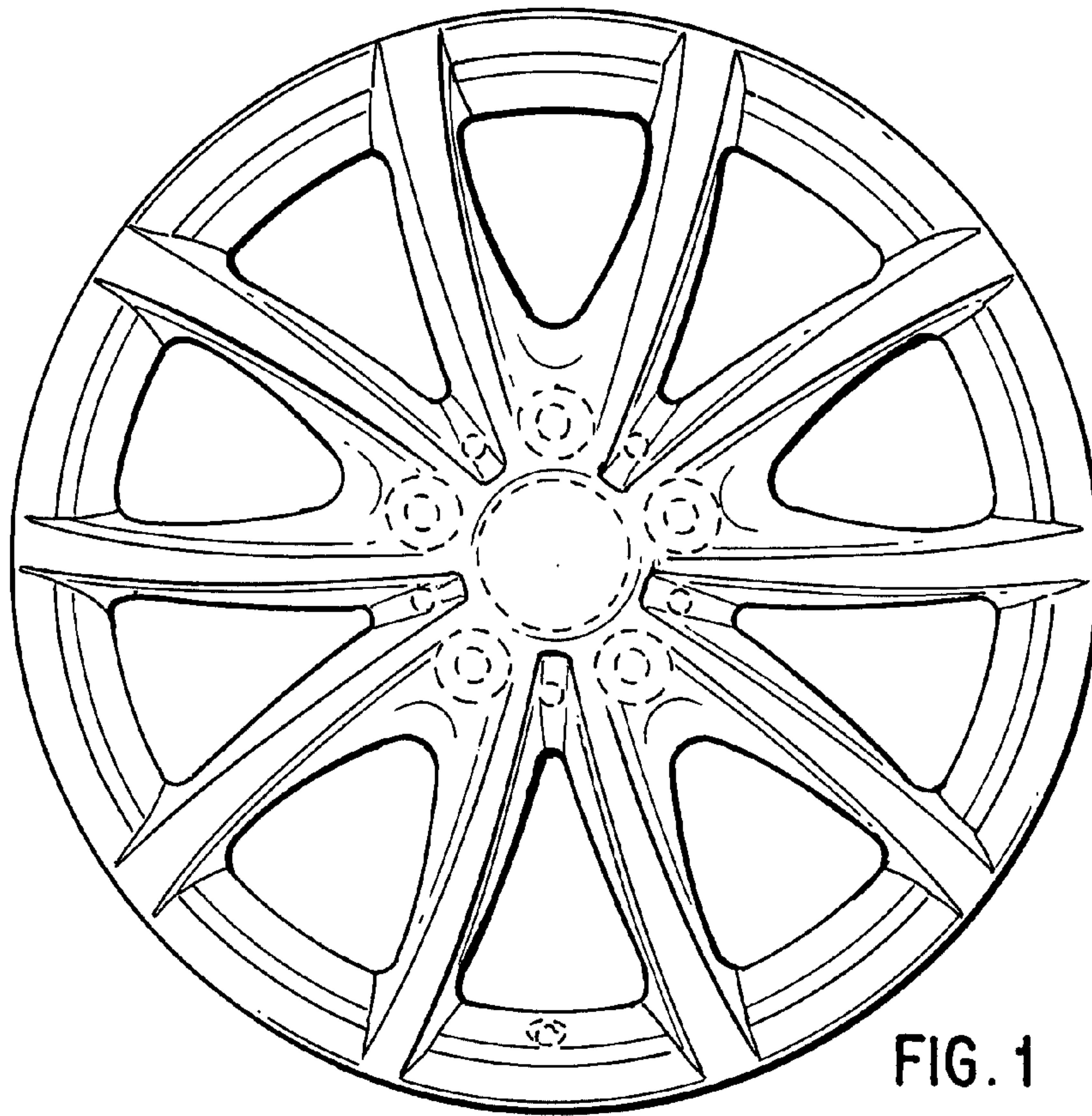


FIG. 1

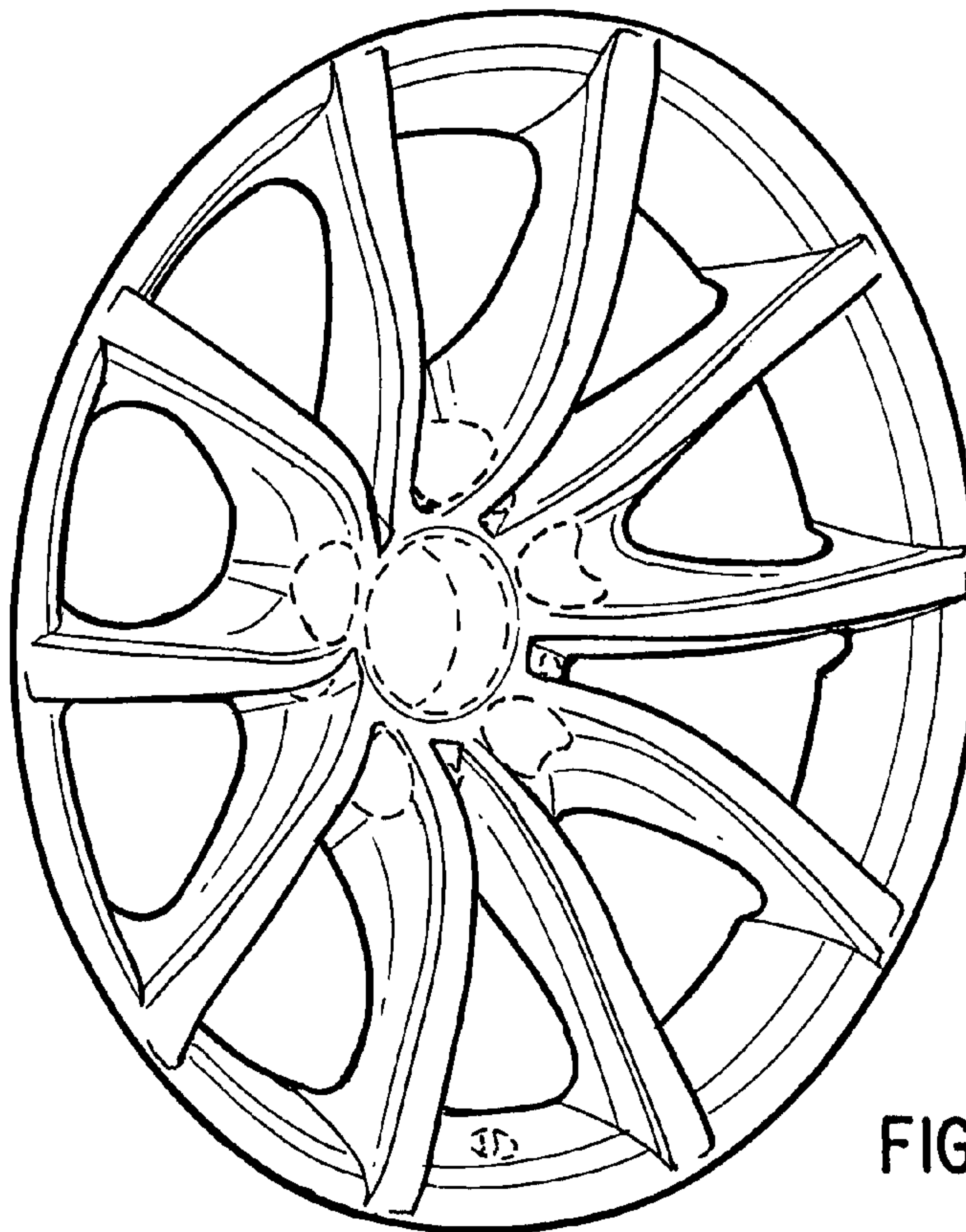


FIG. 2