



US00D598832S

(12) **United States Design Patent**  
**Sauter**

(10) **Patent No.:** **US D598,832 S**

(45) **Date of Patent:** **\*\* Aug. 25, 2009**

(54) **INSTRUMENT PANEL FOR AN  
AUTOMOBILE**

(75) Inventor: **Ulrich Sauter**, Tiefenbronn (DE)

(73) Assignee: **Dr. Ing. h.c.F. Porsche AG**, Weissach  
(DE)

(\*\*) Term: **14 Years**

(21) Appl. No.: **29/281,515**

(22) Filed: **Jun. 26, 2007**

(30) **Foreign Application Priority Data**

Dec. 27, 2006 (DE) ..... 4 06 06 496

(51) **LOC (9) Cl.** ..... **12-16**

(52) **U.S. Cl.** ..... **D12/192**

(58) **Field of Classification Search** ..... D12/192,  
D12/415, 400, 195, 190, 416-419, 421-426.1;  
D10/102, 98, 122-127, 46; D15/17, 28;  
D14/113, 124, 126, 129, 132, 133, 100; 296/190.02,  
296/190.03, 190.04, 190.05, 190.06, 190.07,  
296/190.08, 190.09, 190, 191, 70, 929, 534;  
224/311, 539; 248/309.1; 180/90; 280/750-752;  
D23/327; 454/155; 16/110.1  
See application file for complete search history.

(56) **References Cited**

U.S. PATENT DOCUMENTS

D413,294 S \* 8/1999 Lagaay ..... D12/192

D475,956 S \* 6/2003 Juraschek et al. .... D12/192  
D499,367 S \* 12/2004 Sauter et al. .... D12/192  
D505,101 S \* 5/2005 Juraschek ..... D12/192  
D529,423 S \* 10/2006 Yu et al. .... D12/192  
D531,557 S \* 11/2006 Weideman ..... D12/192  
D538,694 S \* 3/2007 Rake ..... D10/103  
2006/0124815 A1 \* 6/2006 Day et al. .... 248/309.1

\* cited by examiner

*Primary Examiner*—Caron Veynar

*Assistant Examiner*—George D Kirschbaum

(57) **CLAIM**

The ornamental design for an instrument panel for an auto-  
mobile, as shown and described.

**DESCRIPTION**

FIG. 1 is a front plan view of an instrument panel for an  
automobile, showing my new design;

FIG. 2 is a left perspective view thereof;

FIG. 3 is a front plan view thereof;

FIG. 4 is a top view thereof;

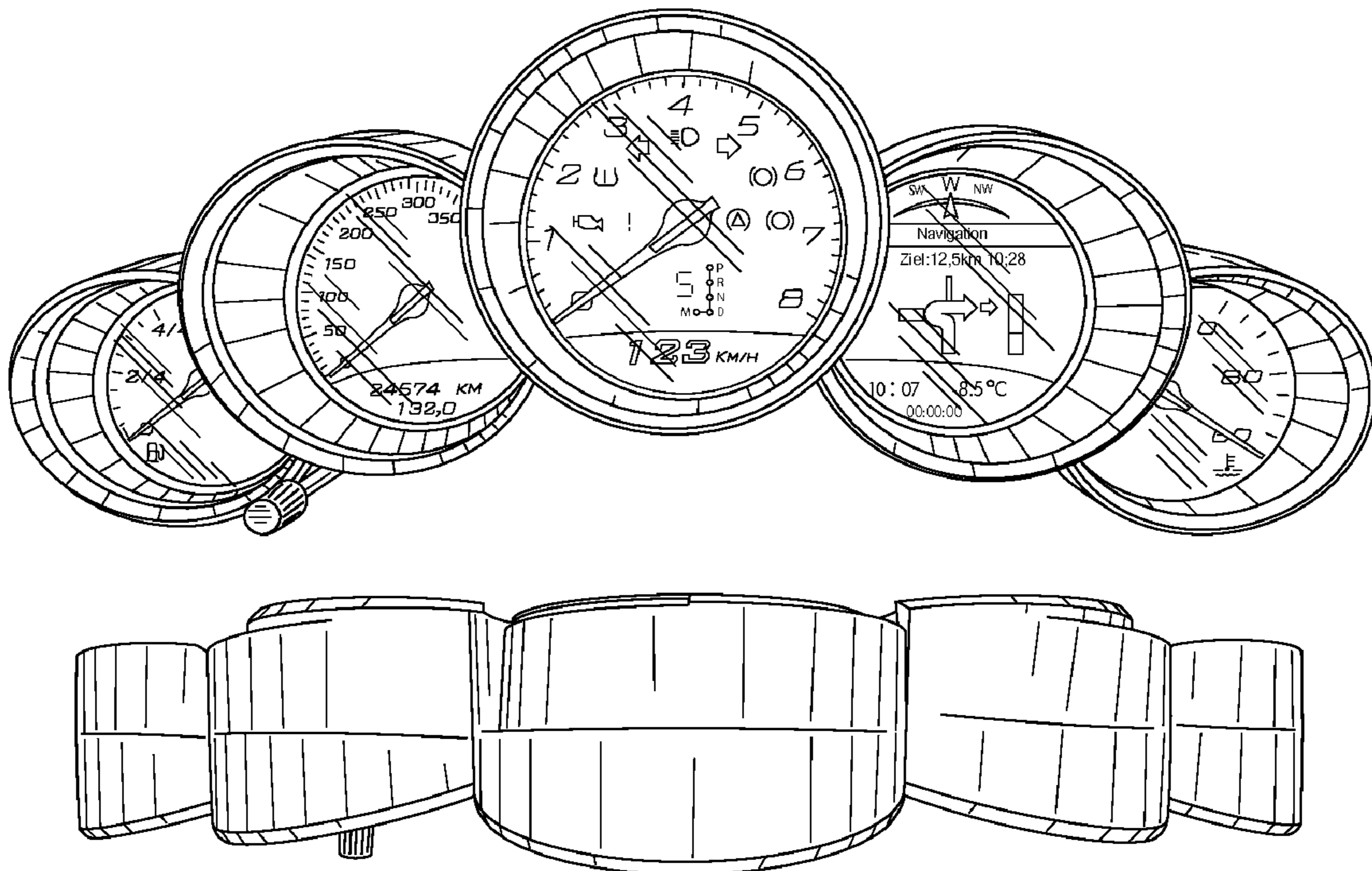
FIG. 5 is a bottom view thereof;

FIG. 6 is a right side view thereof; and,

FIG. 7 is a left side view thereof.

In the drawings, the broken line showing of a dashboard  
depicts environmental subject matter and forms no part of the  
claim.

**1 Claim, 5 Drawing Sheets**



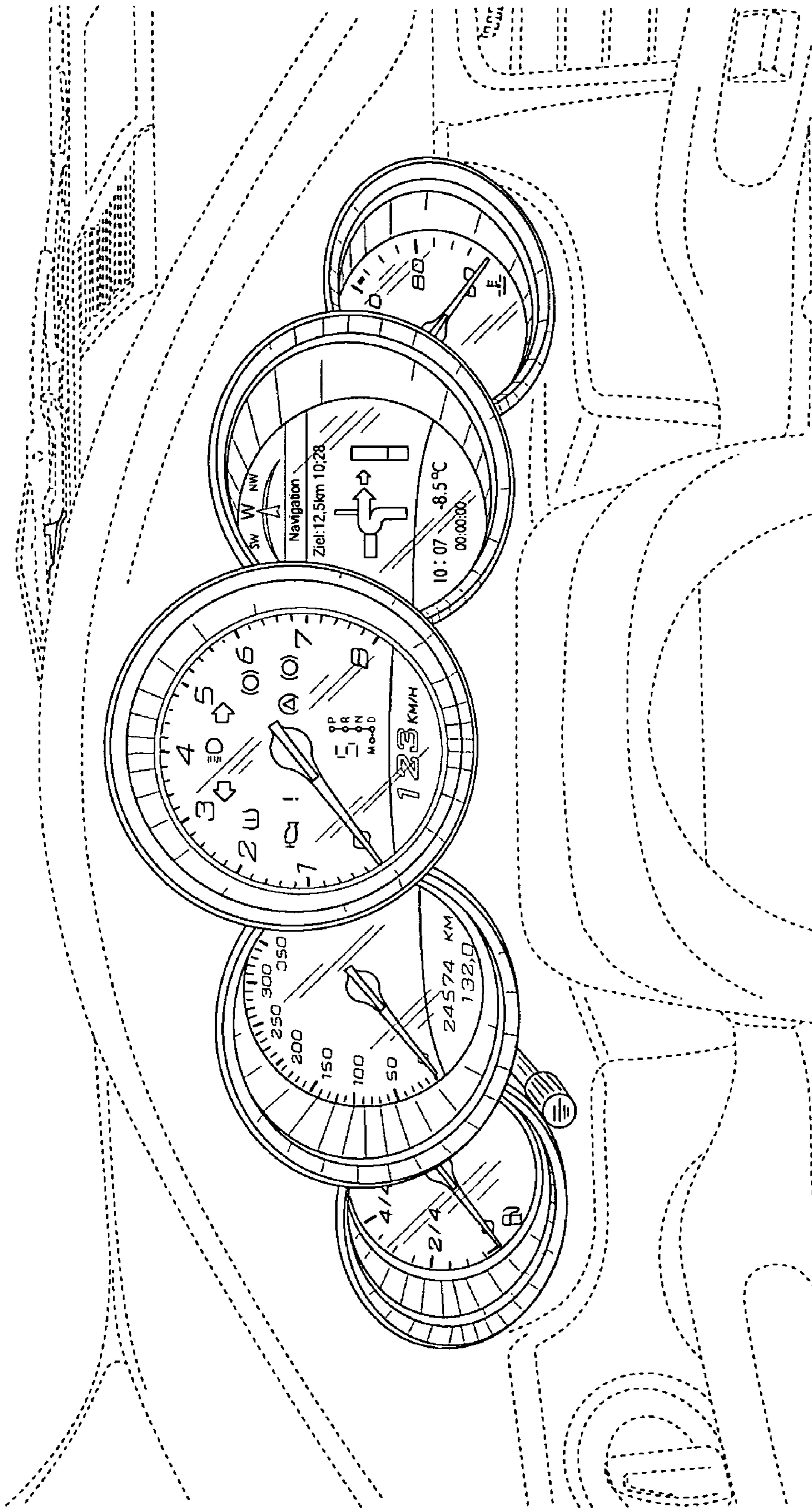


FIG. 1

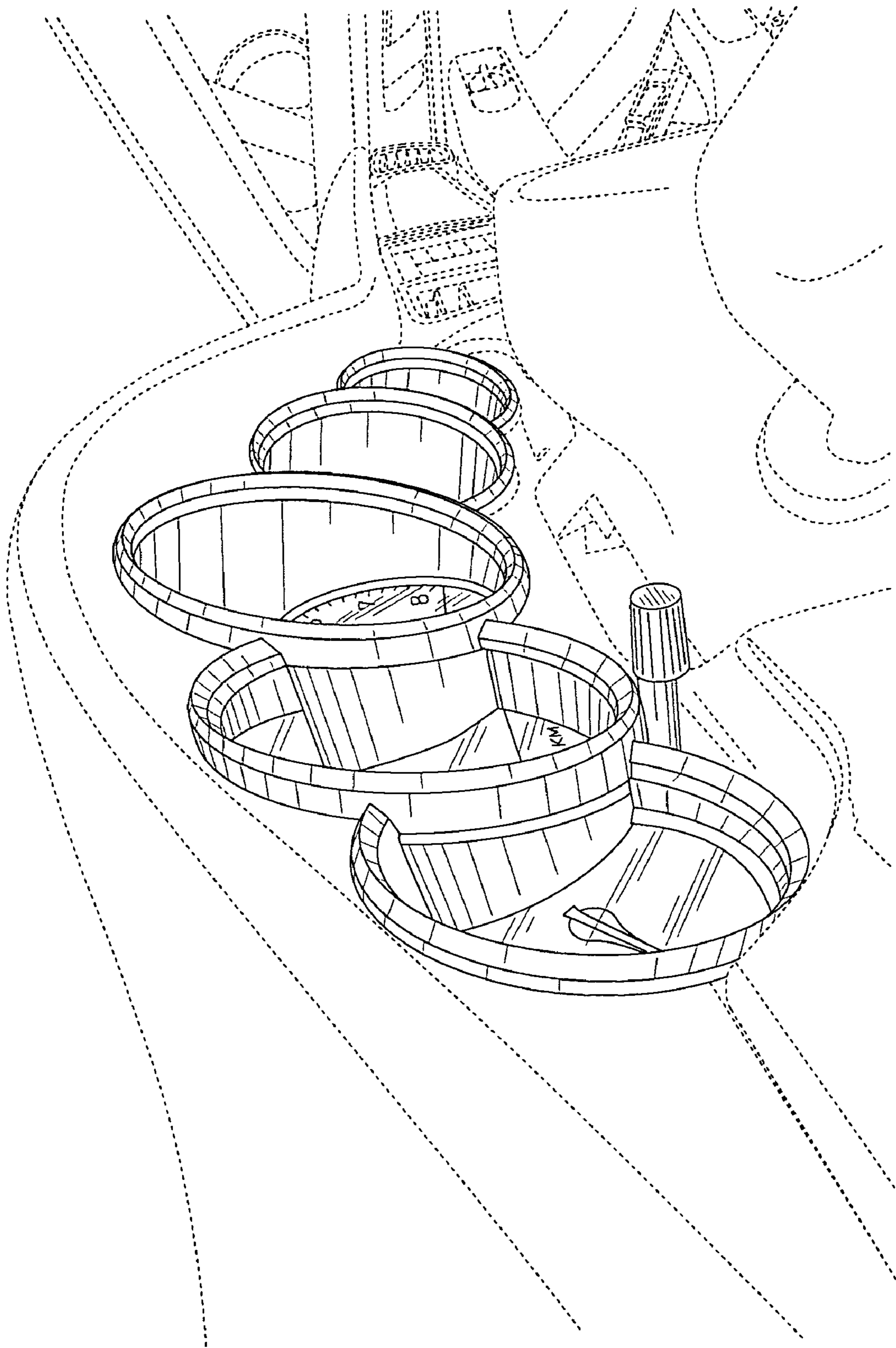


FIG. 2

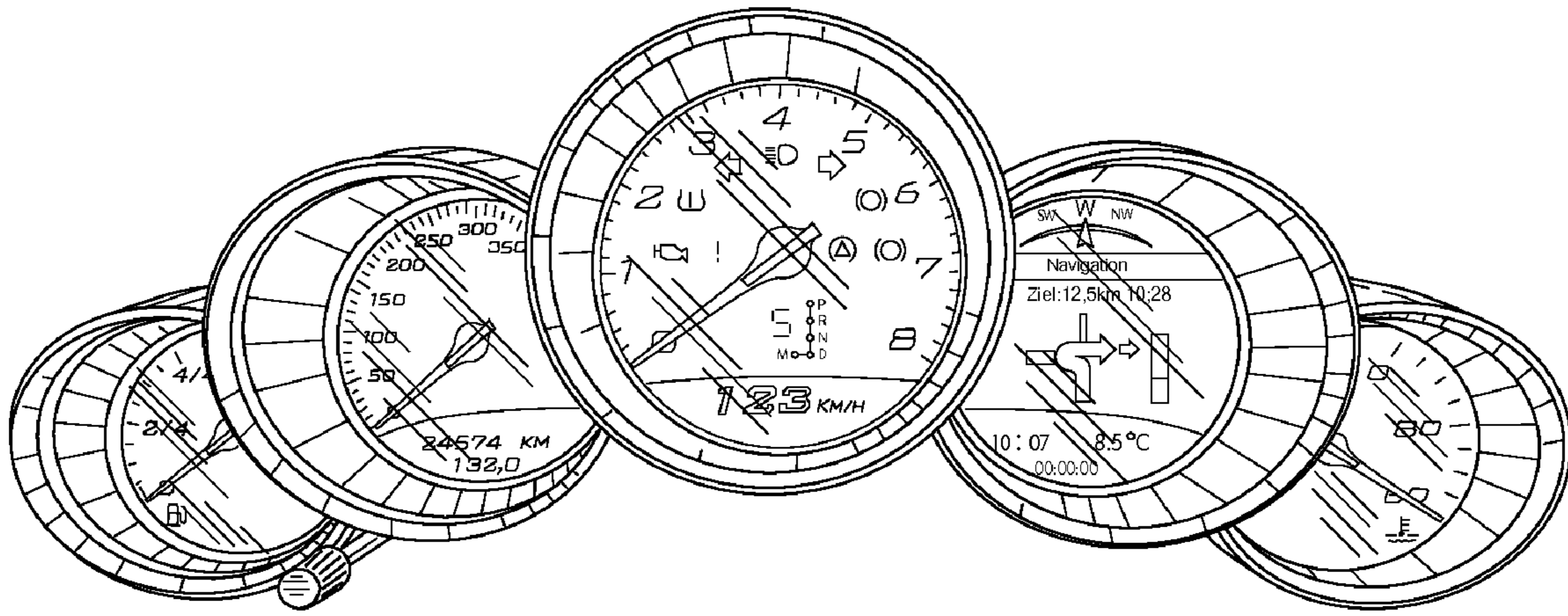


FIG. 3

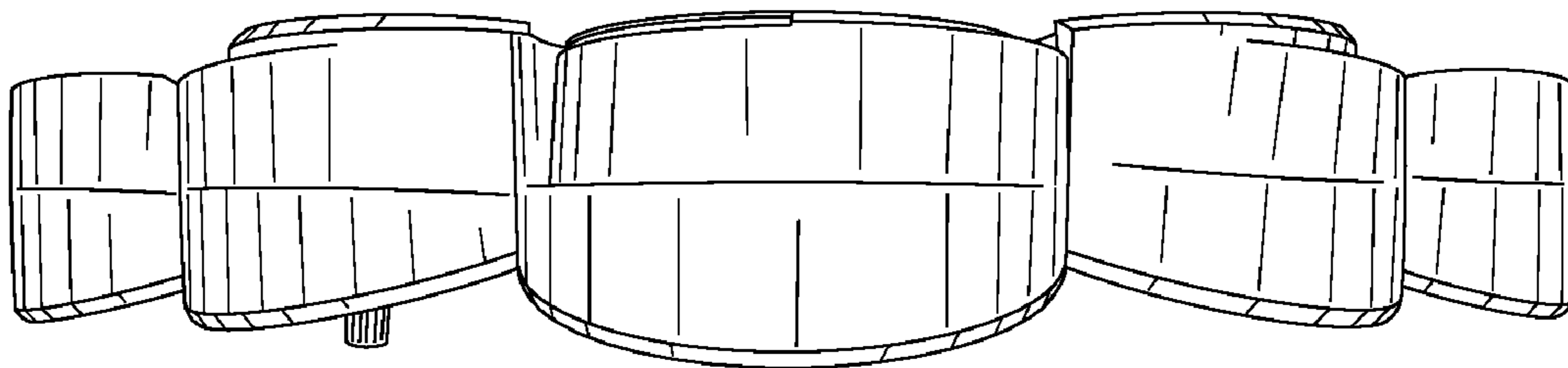


FIG. 4

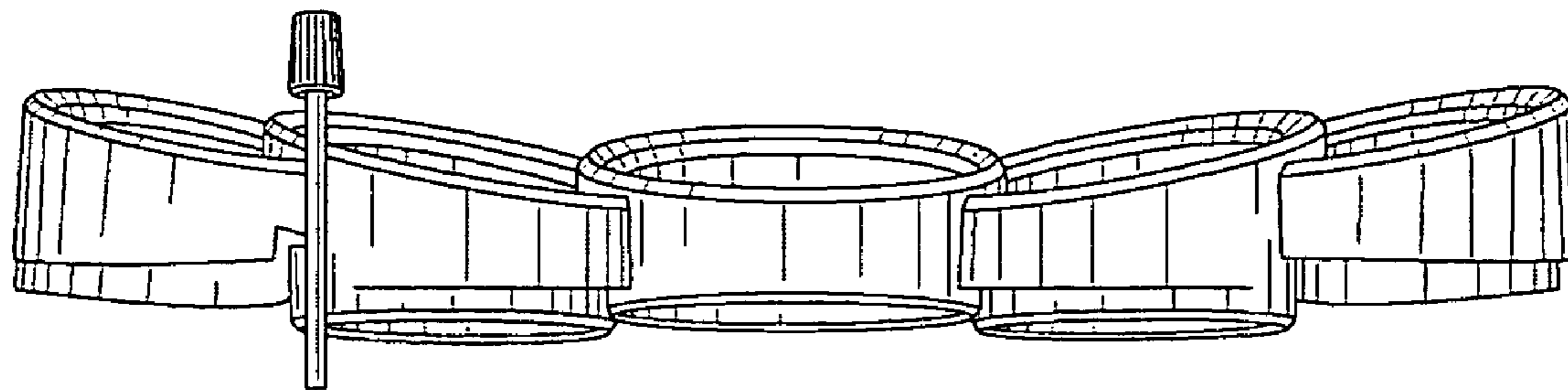


FIG. 5

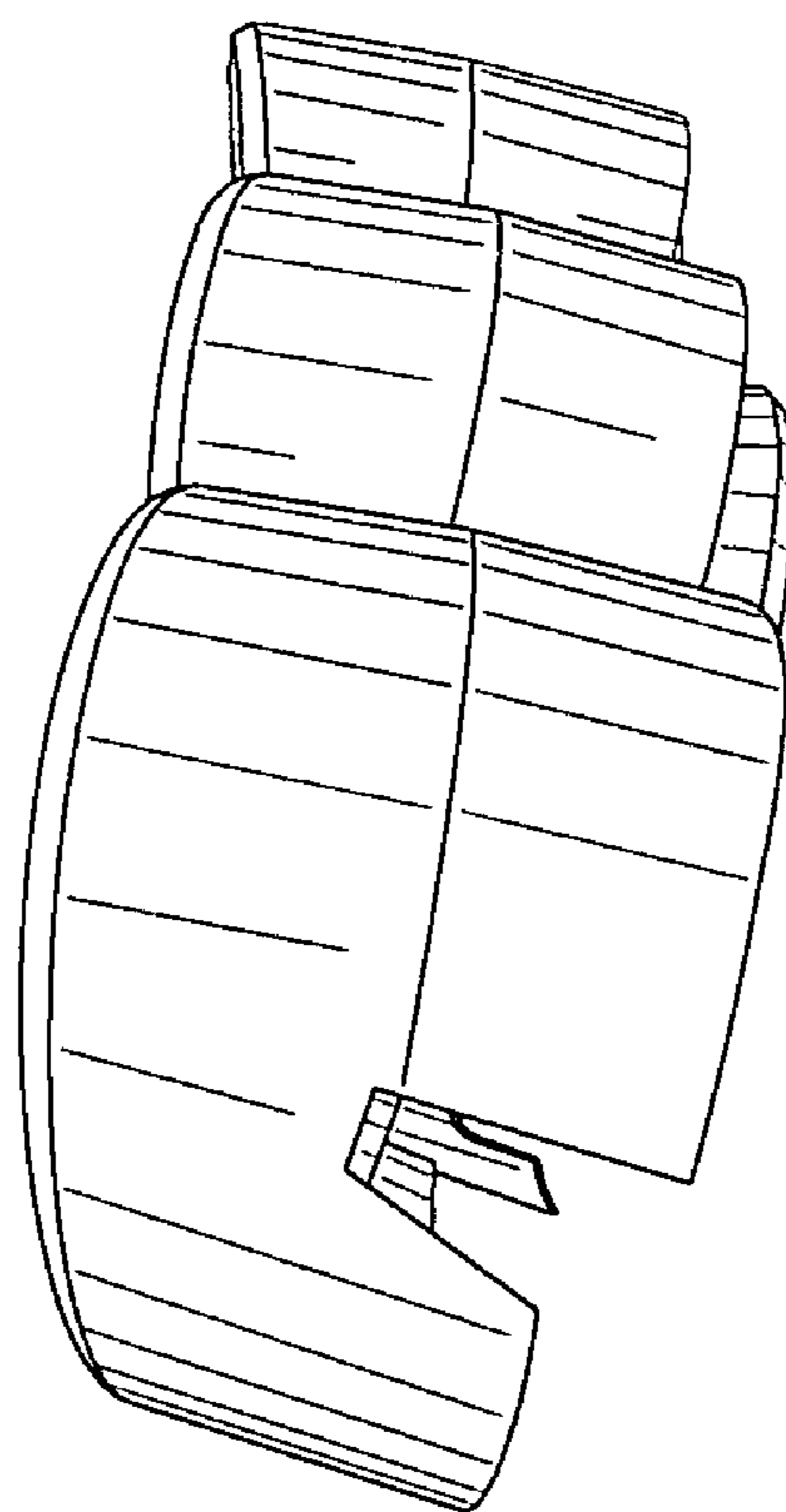


FIG. 6

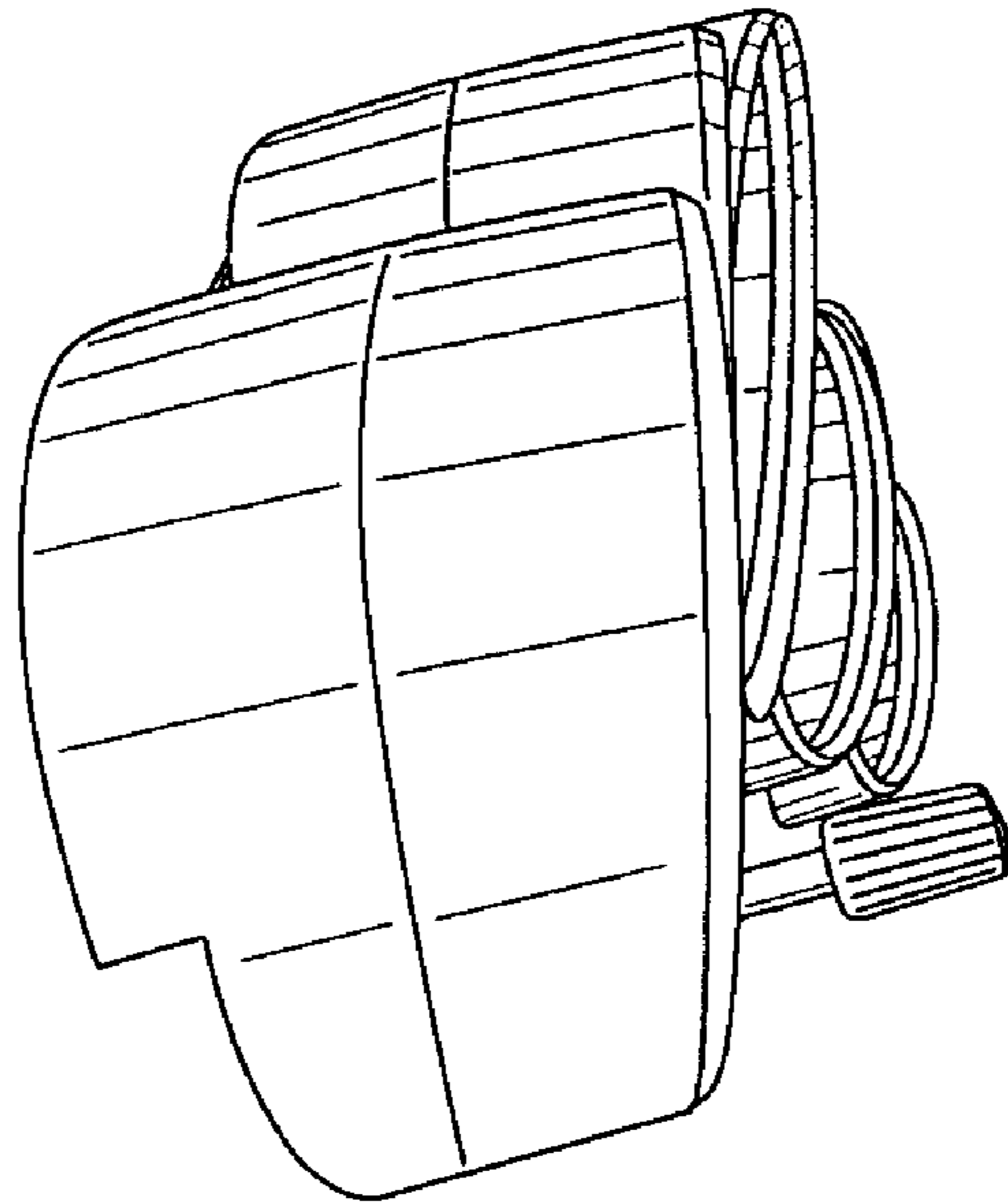


FIG. 7