

US00D598825S

(12) **United States Design Patent**
Bauer et al.

(10) **Patent No.:** **US D598,825 S**

(45) **Date of Patent:** **** Aug. 25, 2009**

(54) **BUMPER FOR A VEHICLE**

(75) Inventors: **Karlheinz Bauer**, Esslingen (DE);
Juergen Bollmann, Schoenberg (DE);
Peter Pfeiffer, Boeblingen (DE);
Gorden Wagener, Stuttgart (DE)

(73) Assignee: **Daimler AG**, Stuttgart (DE)

(**) Term: **14 Years**

(21) Appl. No.: **29/287,940**

(22) Filed: **Oct. 3, 2007**

(30) **Foreign Application Priority Data**

Apr. 4, 2007 (DE) 40701841

(51) **LOC (9) Cl.** **12-16**

(52) **U.S. Cl.** **D12/169**

(58) **Field of Classification Search** D12/169,
D12/90-92; 293/102, 105, 113, 115, 117,
293/120; 296/180.1, 180.2

See application file for complete search history.

(56) **References Cited**

U.S. PATENT DOCUMENTS

D515,475 S *	2/2006	Harada et al.	D12/169
D515,991 S *	2/2006	Hanaoka	D12/169
D533,120 S *	12/2006	Tachibana	D12/169
D550,594 S *	9/2007	Pfeiffer	D12/169
D579,389 S *	10/2008	Miyazaki	D12/169

* cited by examiner

Primary Examiner—Melody N Brown
(74) Attorney, Agent, or Firm—Crowell & Moring LLP

(57) **CLAIM**

The ornamental design for a bumper for a vehicle, as shown and described.

DESCRIPTION

This application is related to the following co-pending applications, filed on even date herewith:

Application Ser. No. (29/287,946), entitled “Vehicle, Toy, and/or Other Replicas”; and

Application Ser. No. (29/287,936), entitled “Vehicle, Toy, and/or Other Replicas”

FIG. 1 is a right perspective view of a first embodiment of a bumper for a vehicle according to our novel design, the left perspective view being mirror symmetrical;

FIG. 2 is a front view thereof; and

FIG. 3 is a right side view thereof, the left side view being mirror symmetrical.

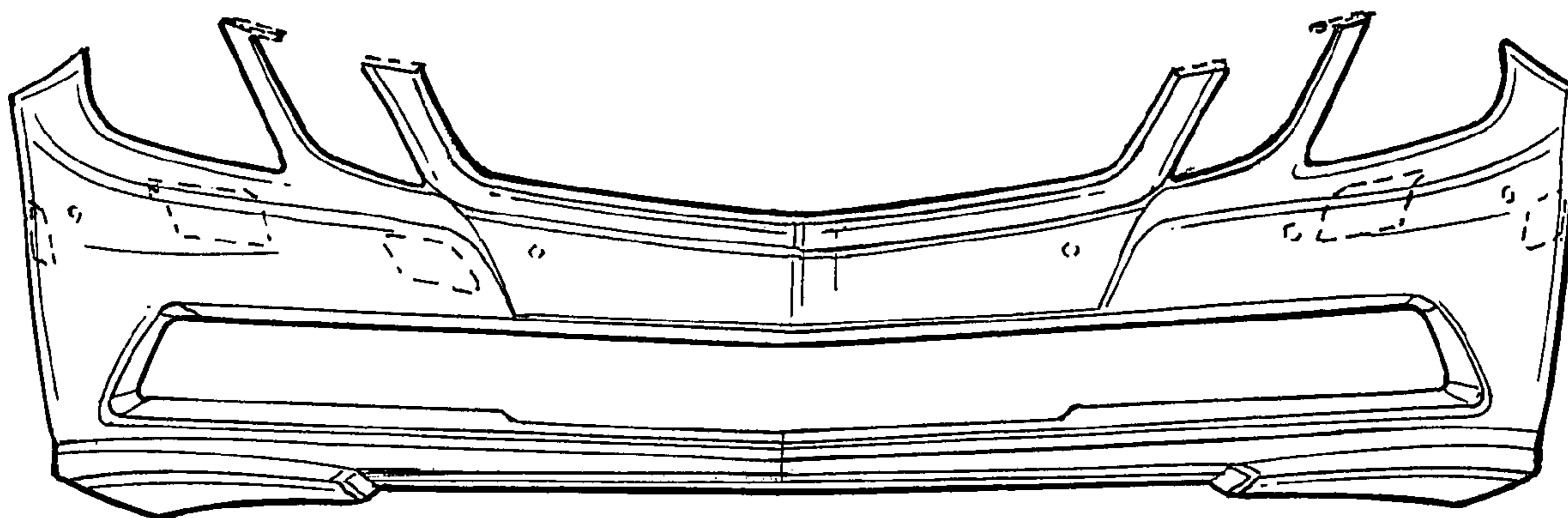
FIG. 4 is a right perspective view of a second embodiment of a bumper for a vehicle according to our novel design, the left perspective view being mirror symmetrical;

FIG. 5 is a front view of FIG. 4; and,

FIG. 6 is a right side view of FIG. 4, the left side view being mirror symmetrical.

The broken lines are for illustrative purposes only and form no part of the claimed design.

1 Claim, 2 Drawing Sheets



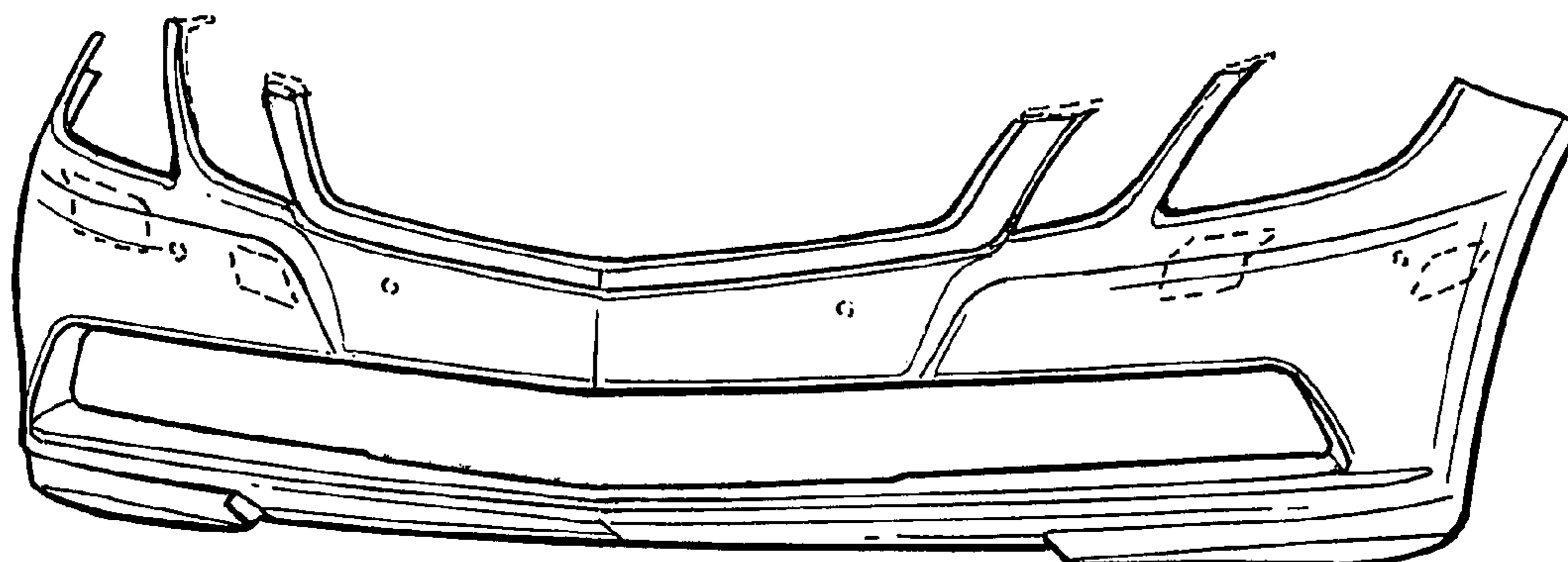


FIG. 1

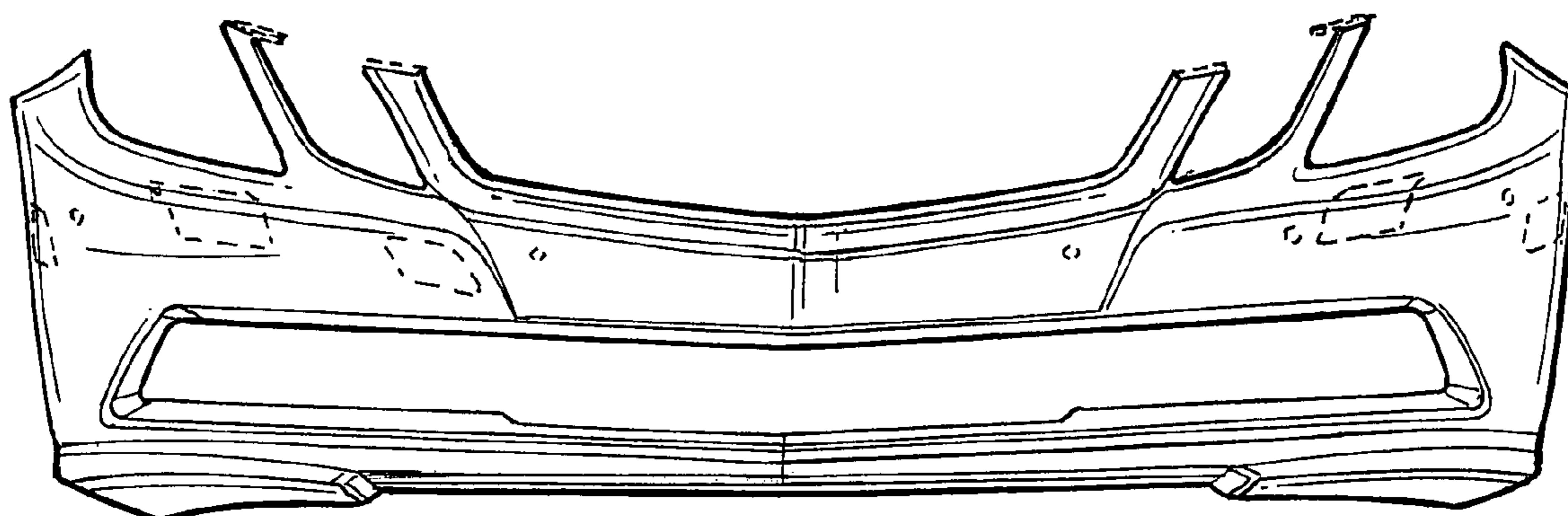


FIG. 2

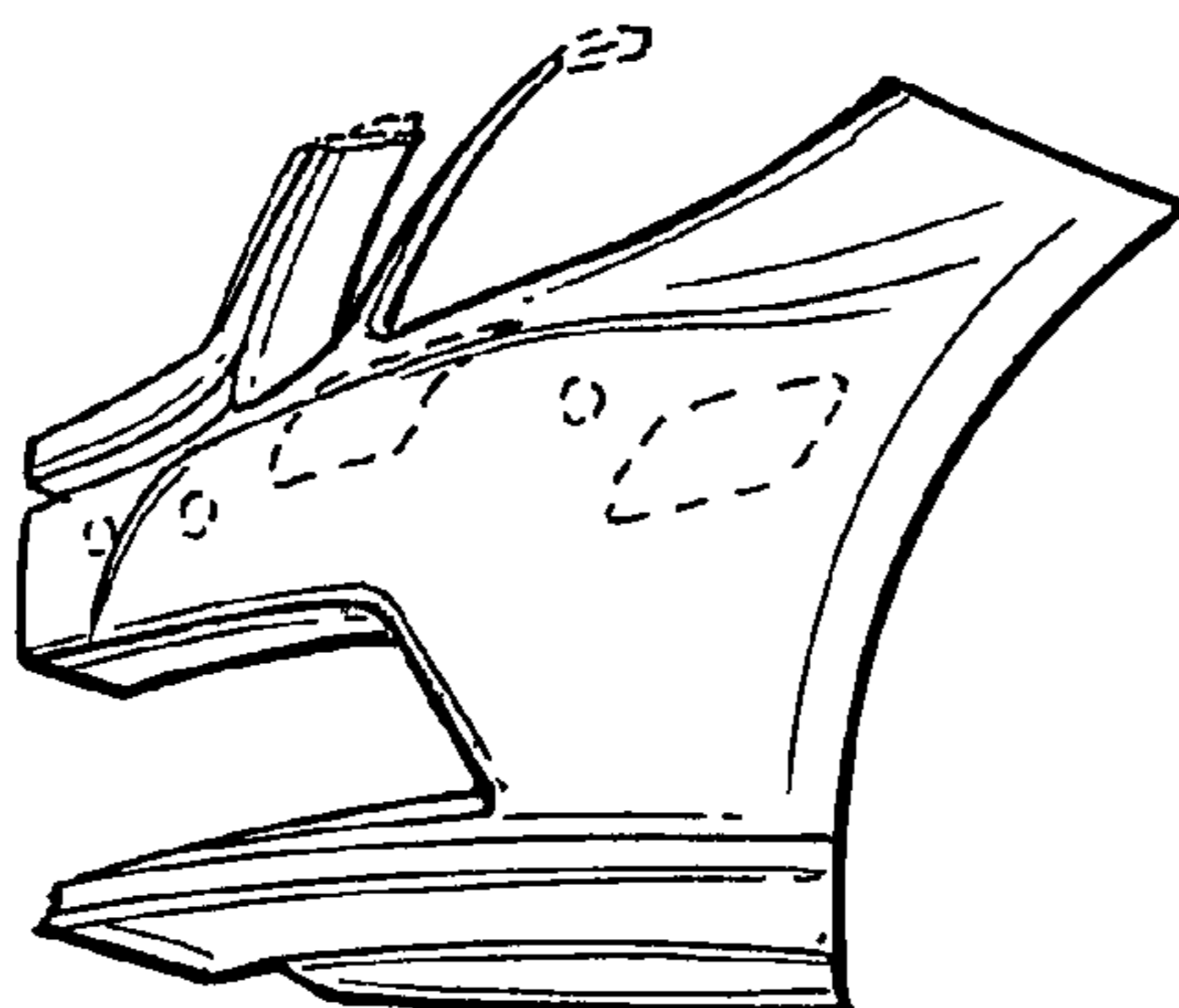


FIG. 3

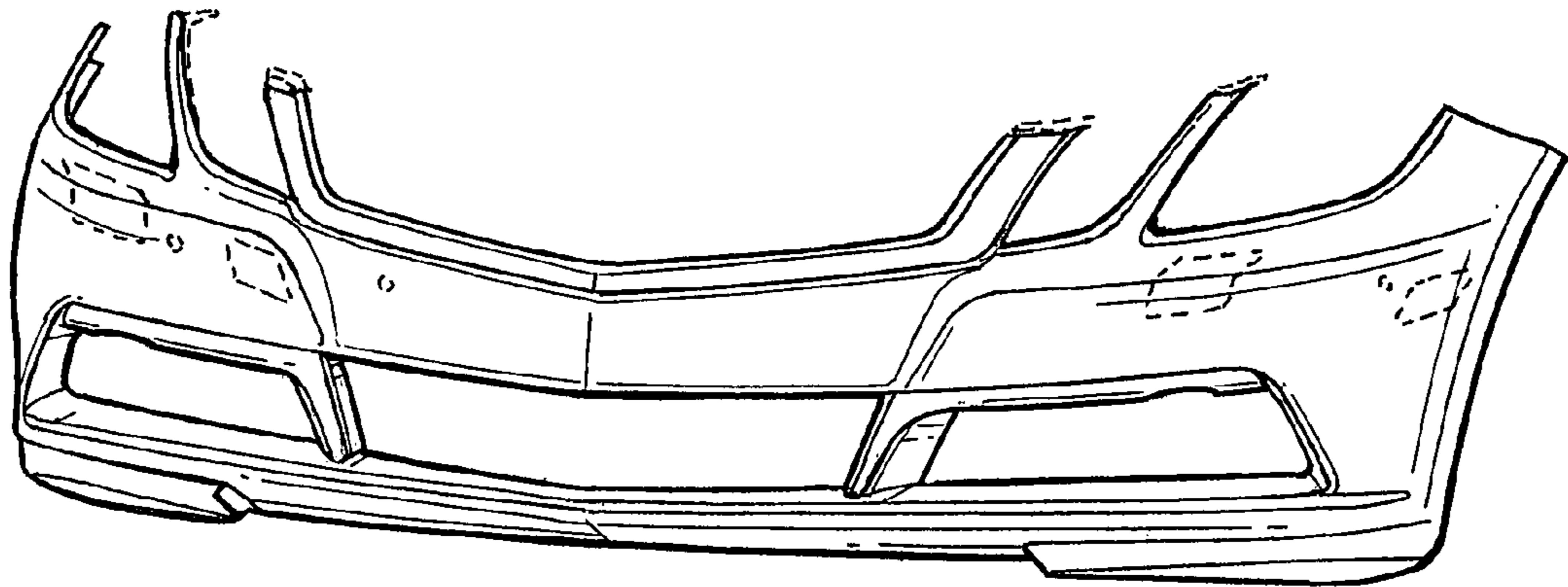


FIG. 4

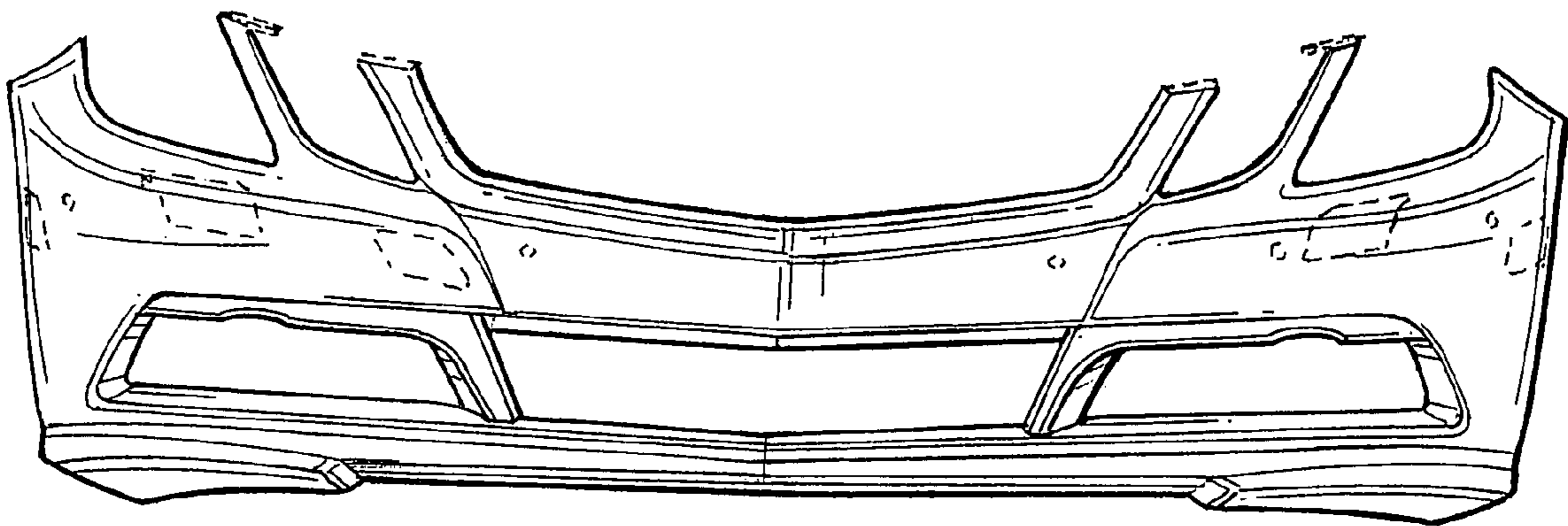


FIG. 5

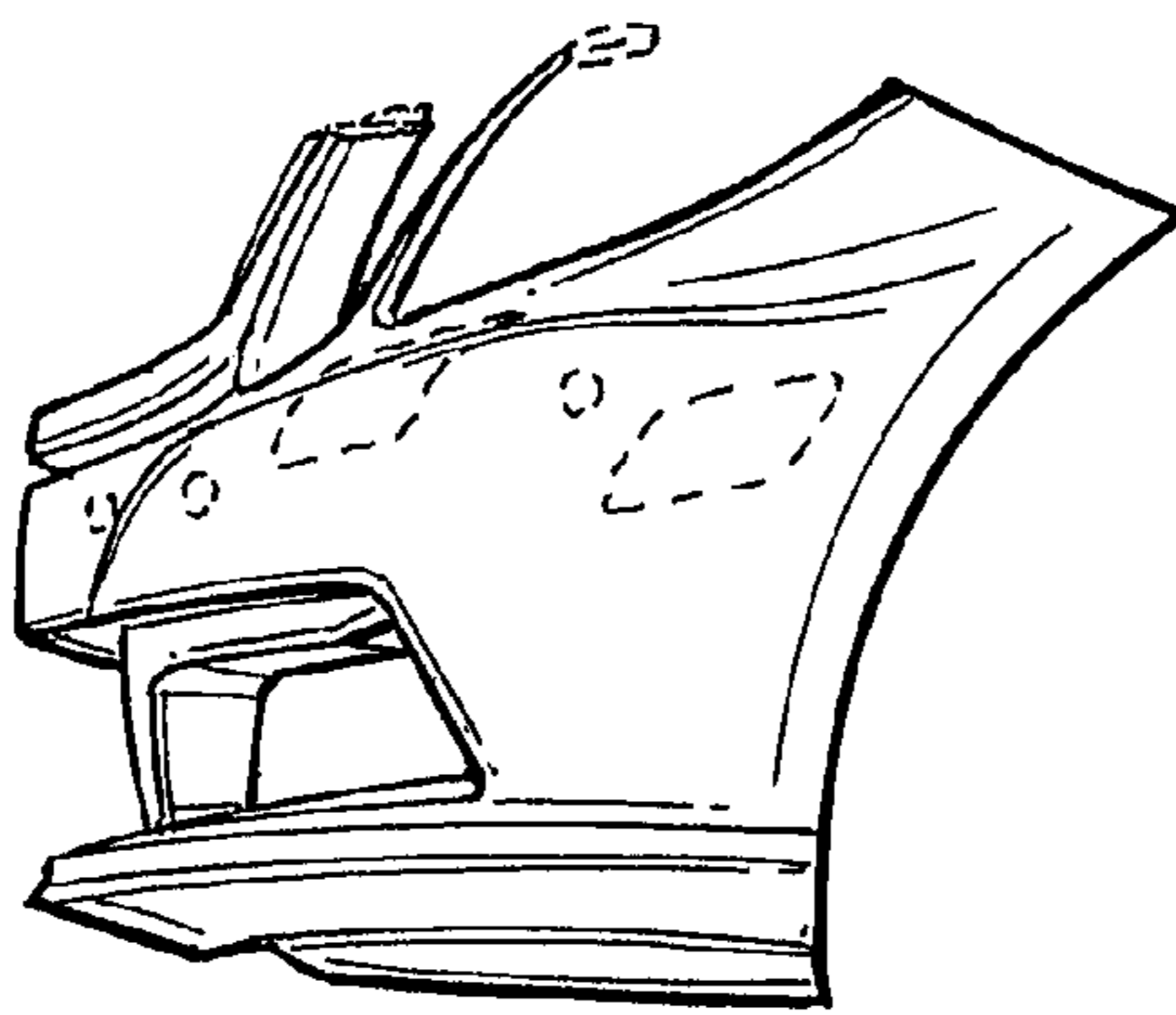


FIG. 6