

US00D598816S

(12) **United States Design Patent**
Ahlbertz

(10) **Patent No.:** **US D598,816 S**

(45) **Date of Patent:** **** Aug. 25, 2009**

(54) **WHEELCHAIR FOR BATH AND HYGIENE PURPOSES**

(75) Inventor: **Anders Ahlbertz**, Gothenburg (SE)

(73) Assignee: **Gate Rehab Development AB**,
Smalandsstenar (SE)

(**) Term: **14 Years**

(21) Appl. No.: **29/305,688**

(22) Filed: **Mar. 26, 2008**

(30) **Foreign Application Priority Data**

Sep. 26, 2007 (EM) 000796909

(51) **LOC (9) Cl.** **12-12**

(52) **U.S. Cl.** **D12/131**

(58) **Field of Classification Search** D12/128-133;
296/65.03, 65.04; 224/409; 297/DIG. 4;
280/62, 647-650, 29, 200, 47.38, 250.1,
280/259, 642, 658

See application file for complete search history.

(56) **References Cited**

U.S. PATENT DOCUMENTS

4,732,423 A * 3/1988 Condon 297/284.1
5,112,076 A * 5/1992 Wilson 280/657
5,383,709 A * 1/1995 Chaney et al. 297/302.2

D360,172 S * 7/1995 Francke D12/128
D413,554 S * 9/1999 Schlangen D12/131
D439,869 S * 4/2001 Kjell et al. D12/128
D455,376 S * 4/2002 Lindenkamp D12/131
D475,952 S * 6/2003 Nelson et al. D12/131
D484,832 S * 1/2004 Okamoto et al. D12/131
D494,110 S * 8/2004 Cheng D12/131
D498,183 S * 11/2004 Nelson et al. D12/128
D569,769 S * 5/2008 Chiu et al. D12/131

* cited by examiner

Primary Examiner—Charles A Rademaker

Assistant Examiner—Charles D Hanson

(74) *Attorney, Agent, or Firm*—Brooks Kushman P.C.

(57) **CLAIM**

The ornamental design for a wheelchair for bath and hygiene purposes, as shown and described.

DESCRIPTION

FIG. 1 is a front perspective view of a wheelchair for bath and hygiene purposes showing my new design;

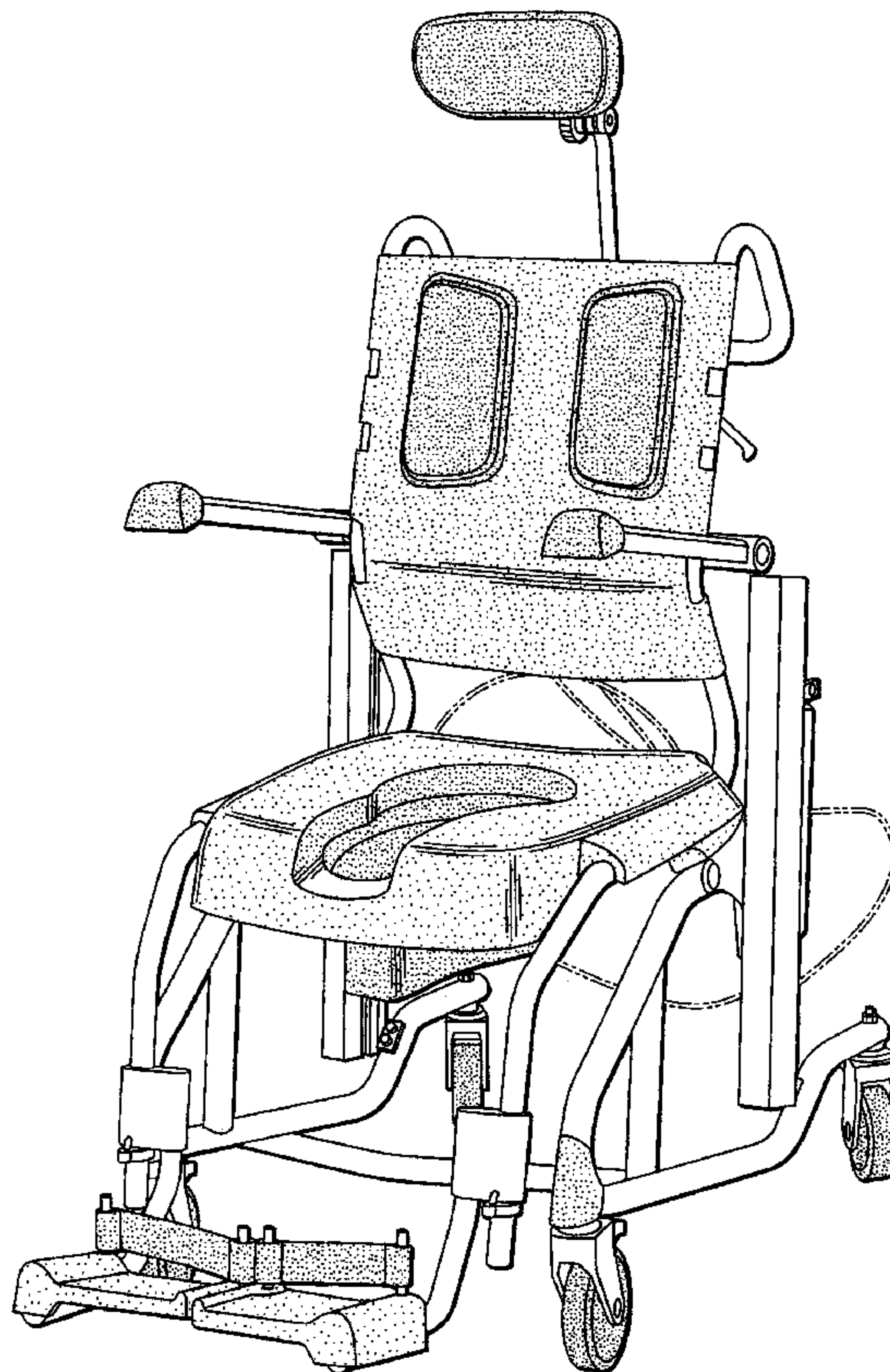
FIG. 2 is a rear perspective view thereof;

FIG. 3 is a side view thereof;

FIG. 4 is a front view thereof; and,

FIG. 5 is a rear view thereof.

1 Claim, 5 Drawing Sheets



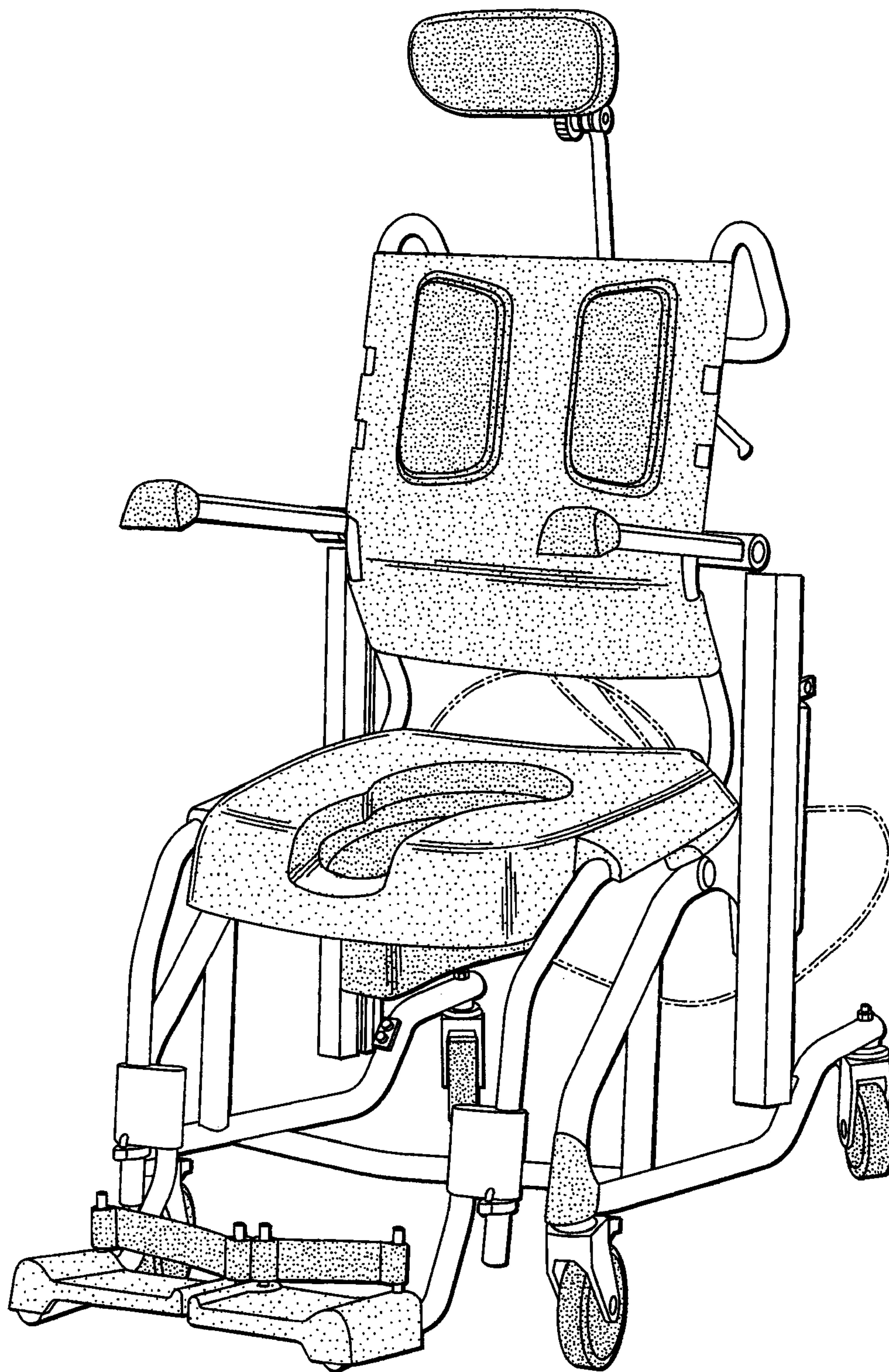


Fig. 1

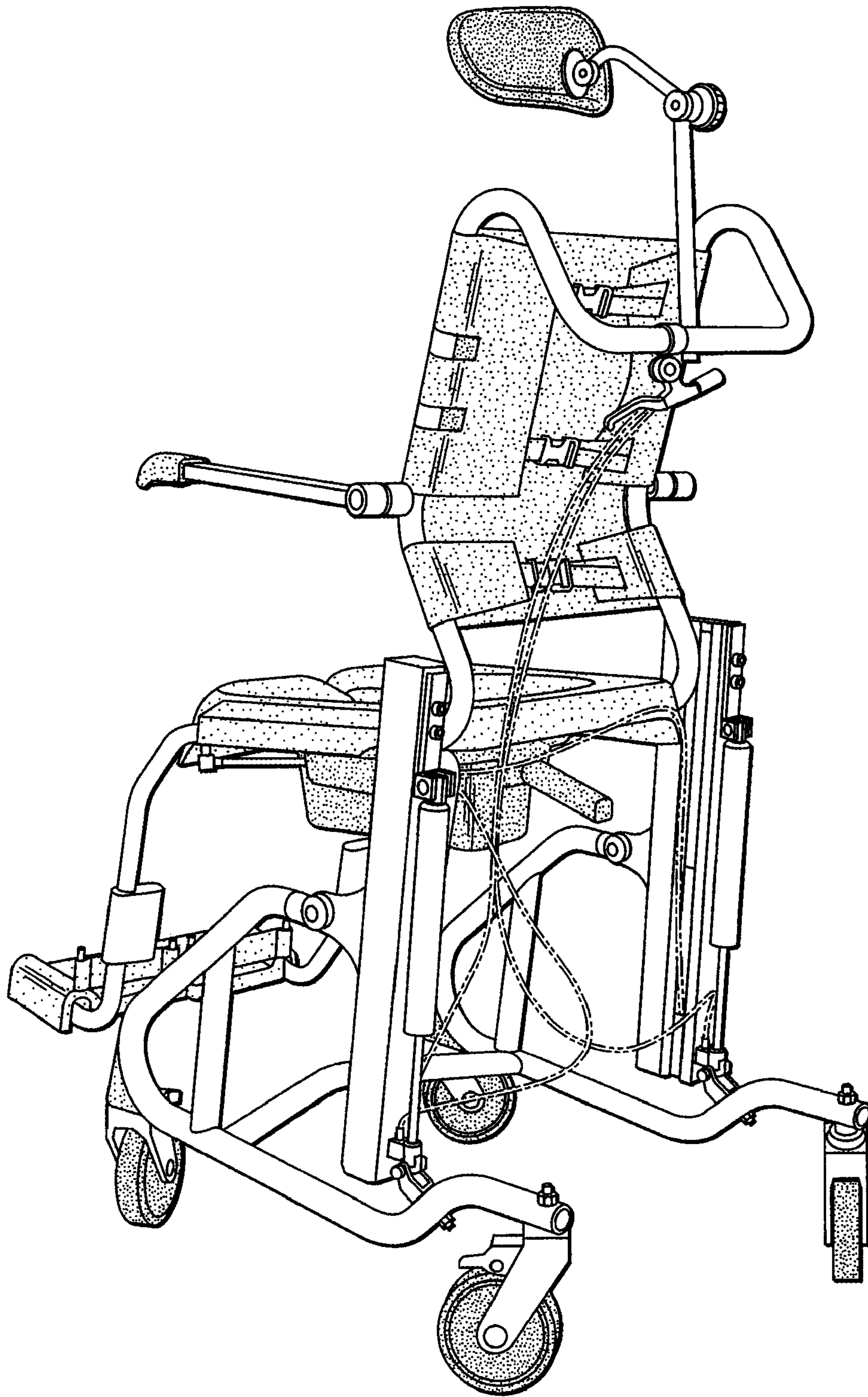


Fig. 2

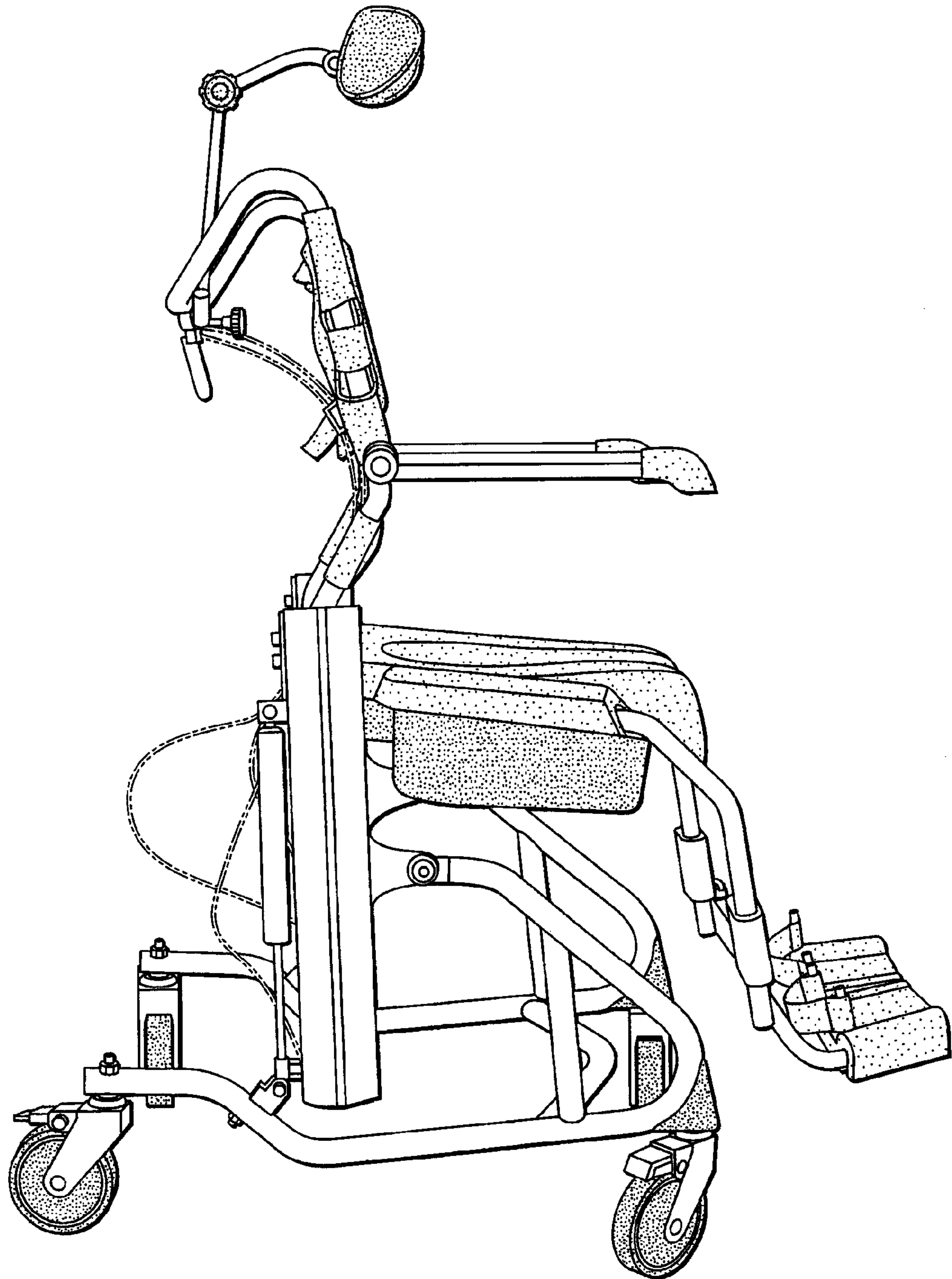


Fig. 3

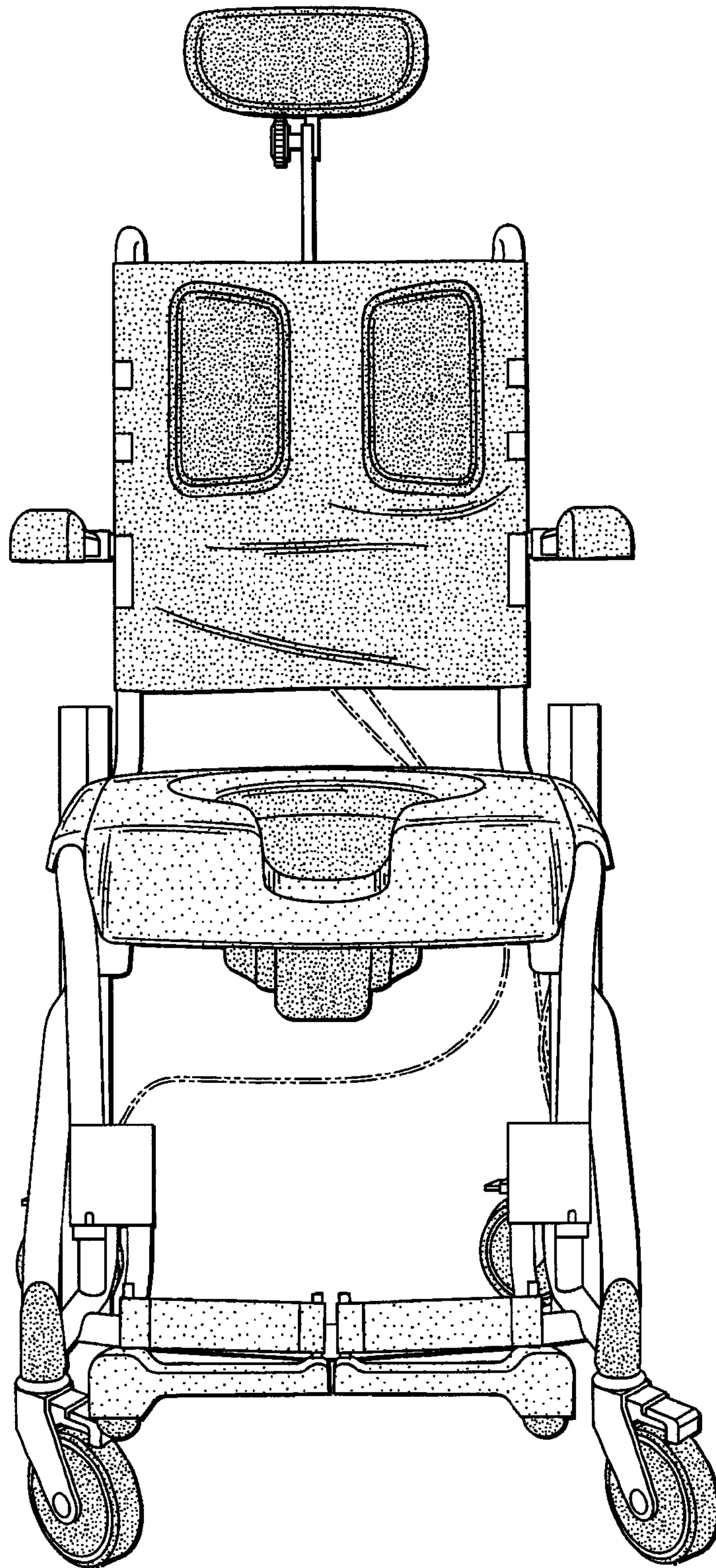


Fig. 4

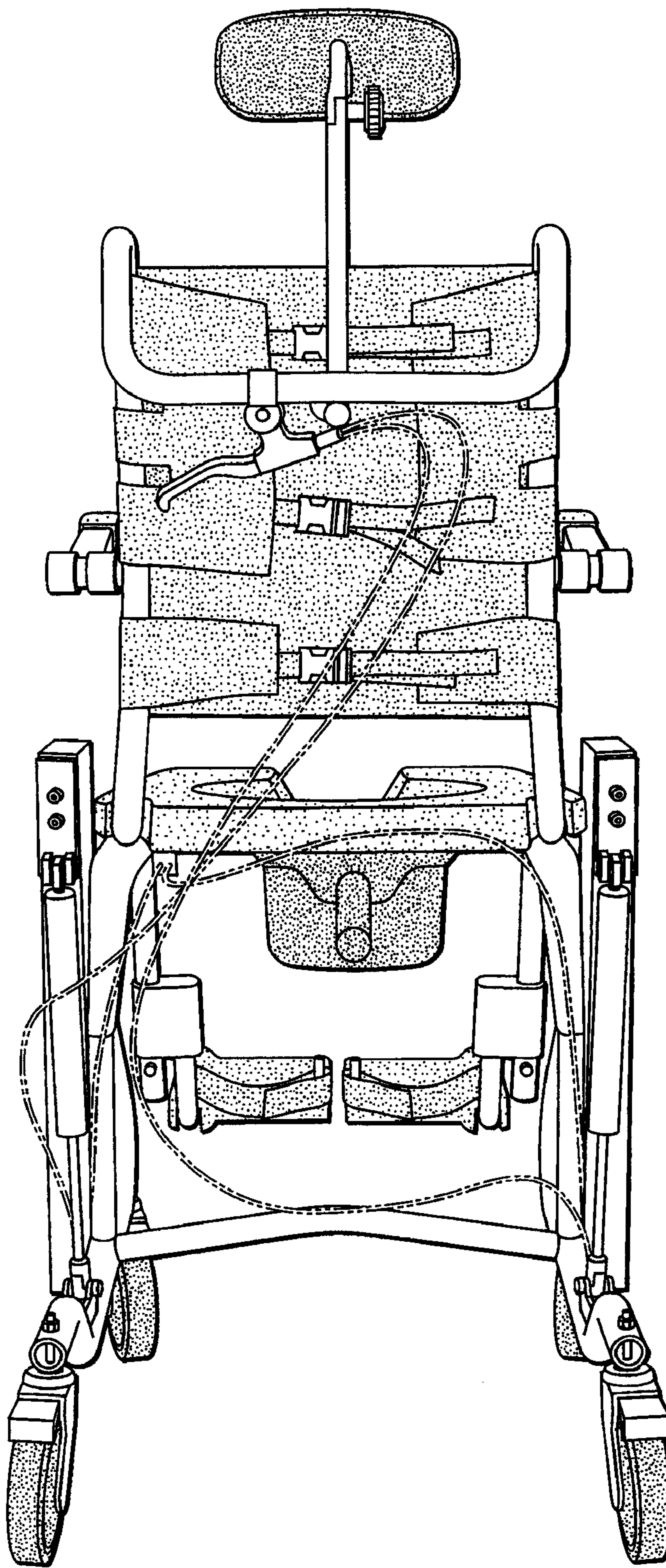


Fig. 5