



US00D598802S

(12) **United States Design Patent**  
**Bulgari**

(10) **Patent No.:** **US D598,802 S**

(45) **Date of Patent:** **\*\* Aug. 25, 2009**

(54) **RING**

(75) Inventor: **Paolo Bulgari**, Rome (IT)

(73) Assignee: **Bulgari S.p.A.**, Rome (IT)

(\*\*) Term: **14 Years**

(21) Appl. No.: **29/334,377**

(22) Filed: **Mar. 25, 2009**

(30) **Foreign Application Priority Data**

Sep. 30, 2008 (WO) ..... DM/070 808

(51) **LOC (9) Cl.** ..... **11-01**

(52) **U.S. Cl.** ..... **D11/35; D11/34**

(58) **Field of Classification Search** ..... D11/26-39,  
D11/89-94; 63/15, 15.1-15.4, 15.45, 15.5,  
63/15.6, 15.65, 15.7, 26-27

See application file for complete search history.

(56) **References Cited**

**U.S. PATENT DOCUMENTS**

D137,409 S \* 3/1944 Granat ..... D11/34

D427,539 S \* 7/2000 Bulgari ..... D11/36

D451,424 S \* 12/2001 Ambar ..... D11/34

D472,496 S \* 4/2003 Ambar ..... D11/34

D489,021 S \* 4/2004 Bondanza ..... D11/36

D558,081 S \* 12/2007 Minoli ..... D11/26

D579,372 S \* 10/2008 Bulgari ..... D11/35

\* cited by examiner

*Primary Examiner*—Cathron C Brooks

*Assistant Examiner*—Melanie Levy

(74) *Attorney, Agent, or Firm*—Reising Ethington P.C.

(57) **CLAIM**

The ornamental design for a ring, as shown and described.

**DESCRIPTION**

FIG. 1 shows a perspective view of same;

FIG. 2 shows a front view of same;

FIG. 3 shows a left side view of same;

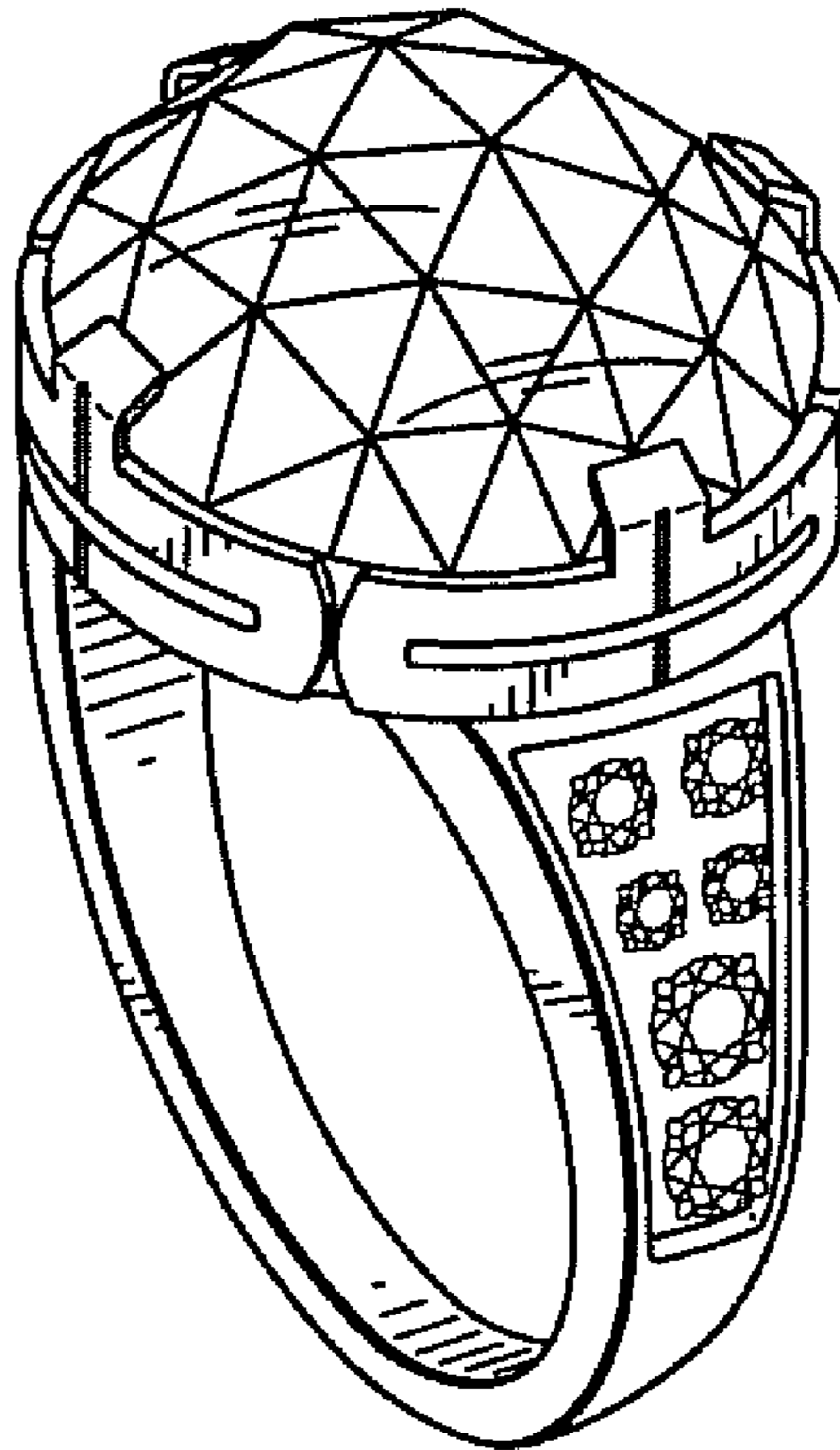
FIG. 4 shows a back side view of same;

FIG. 5 shows a right side view of same;

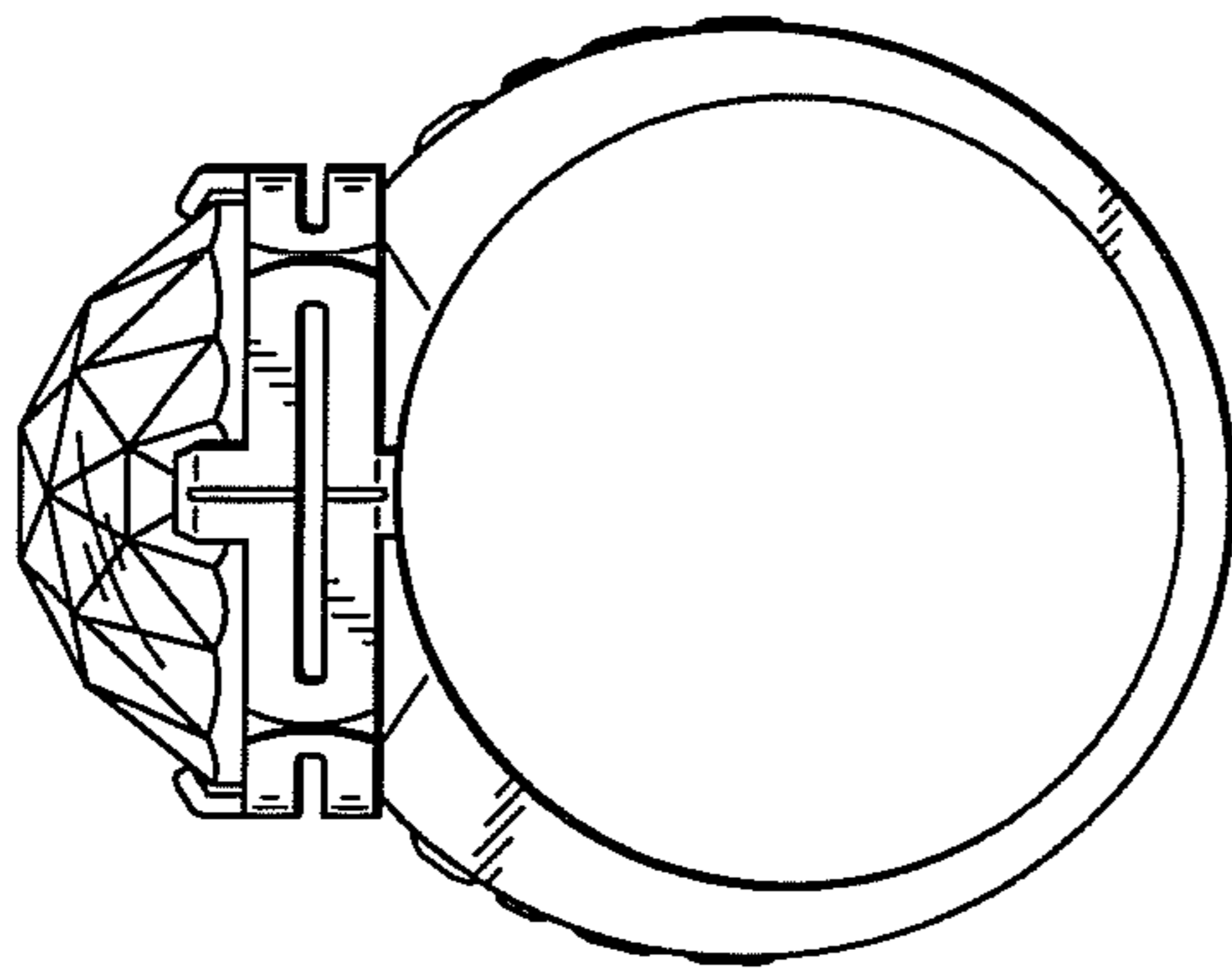
FIG. 6 shows a top view of same; and,

FIG. 7 shows a bottom view of same.

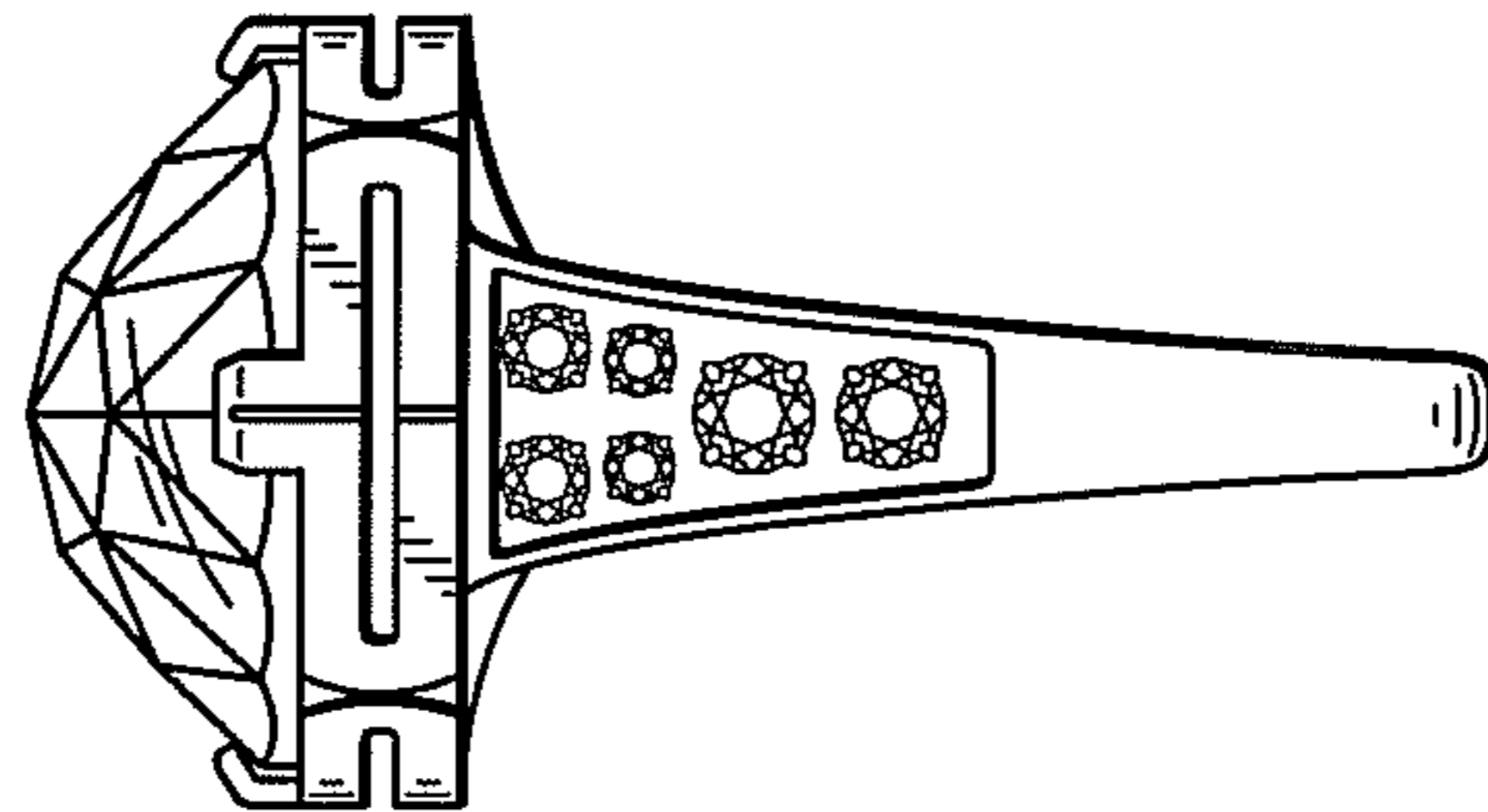
**1 Claim, 1 Drawing Sheet**



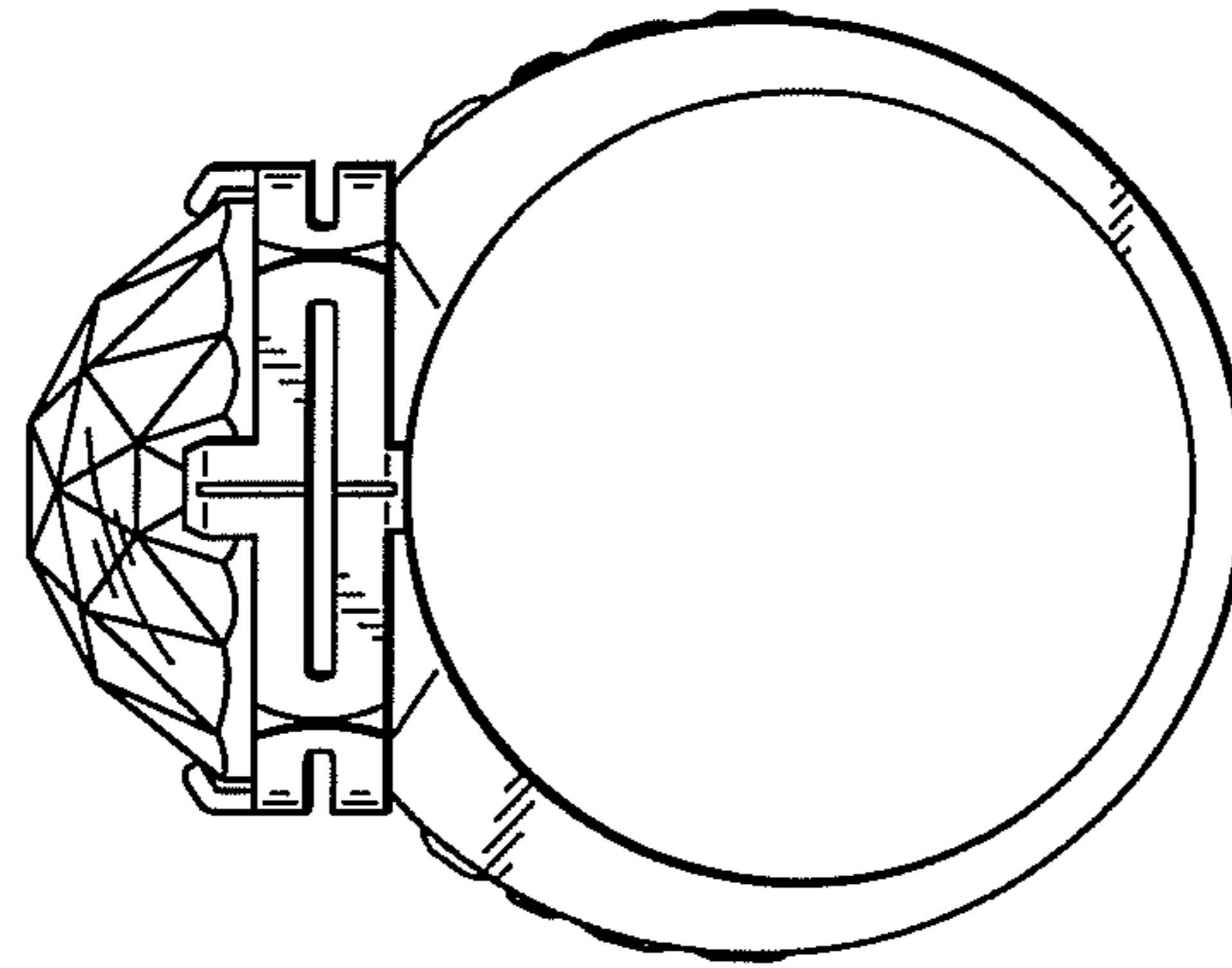
**Fig. 2**



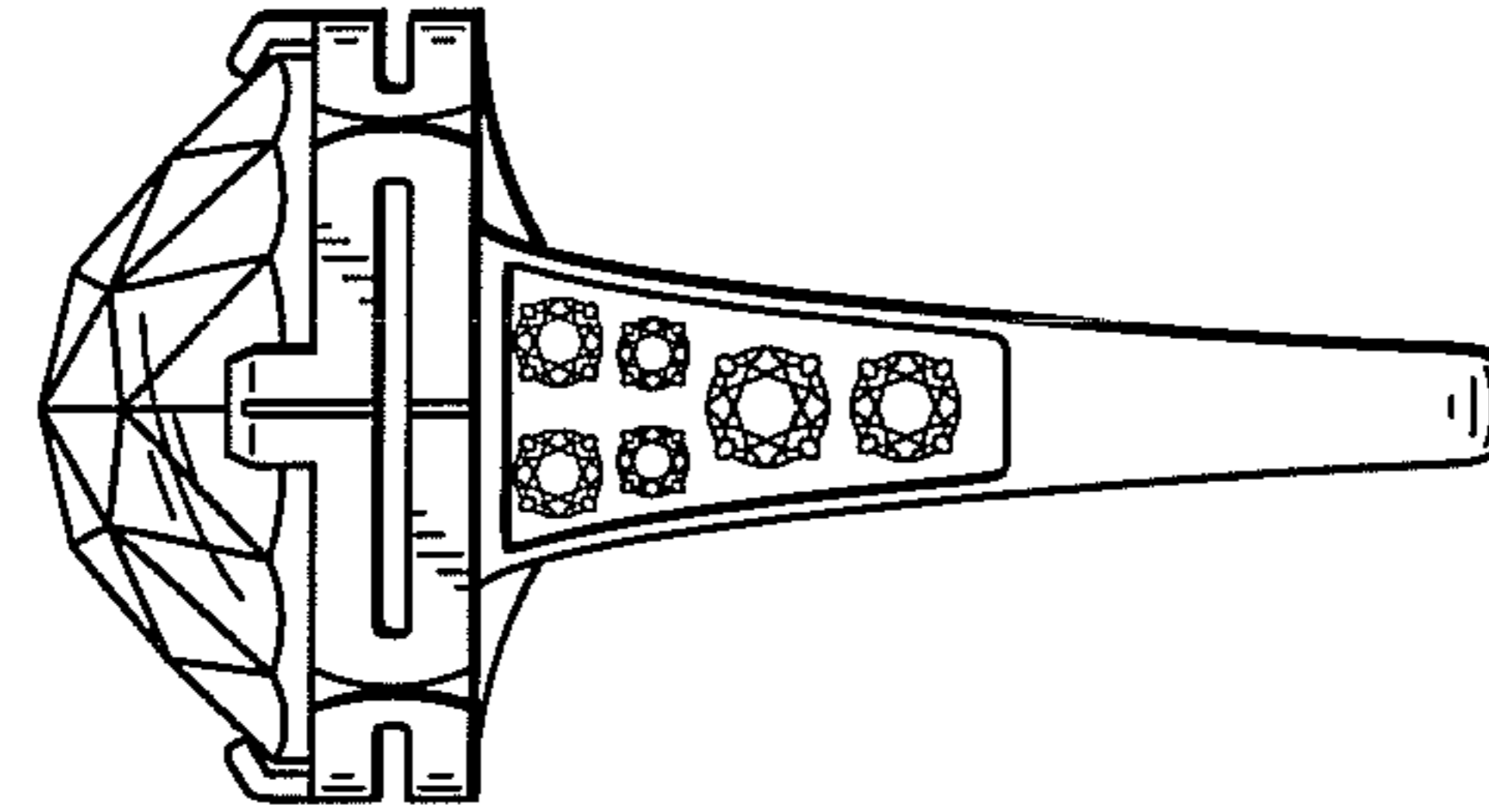
**Fig. 3**



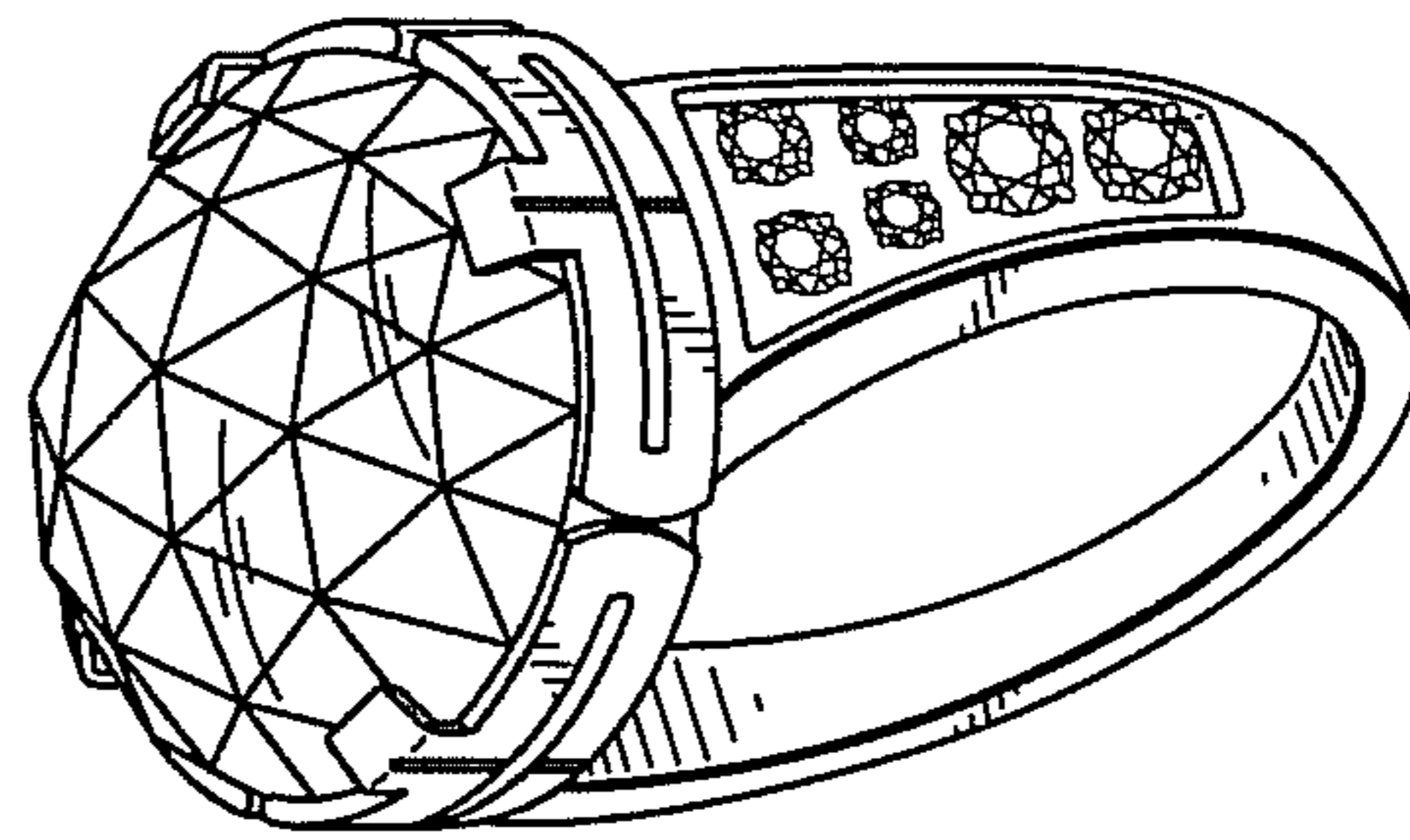
**Fig. 4**



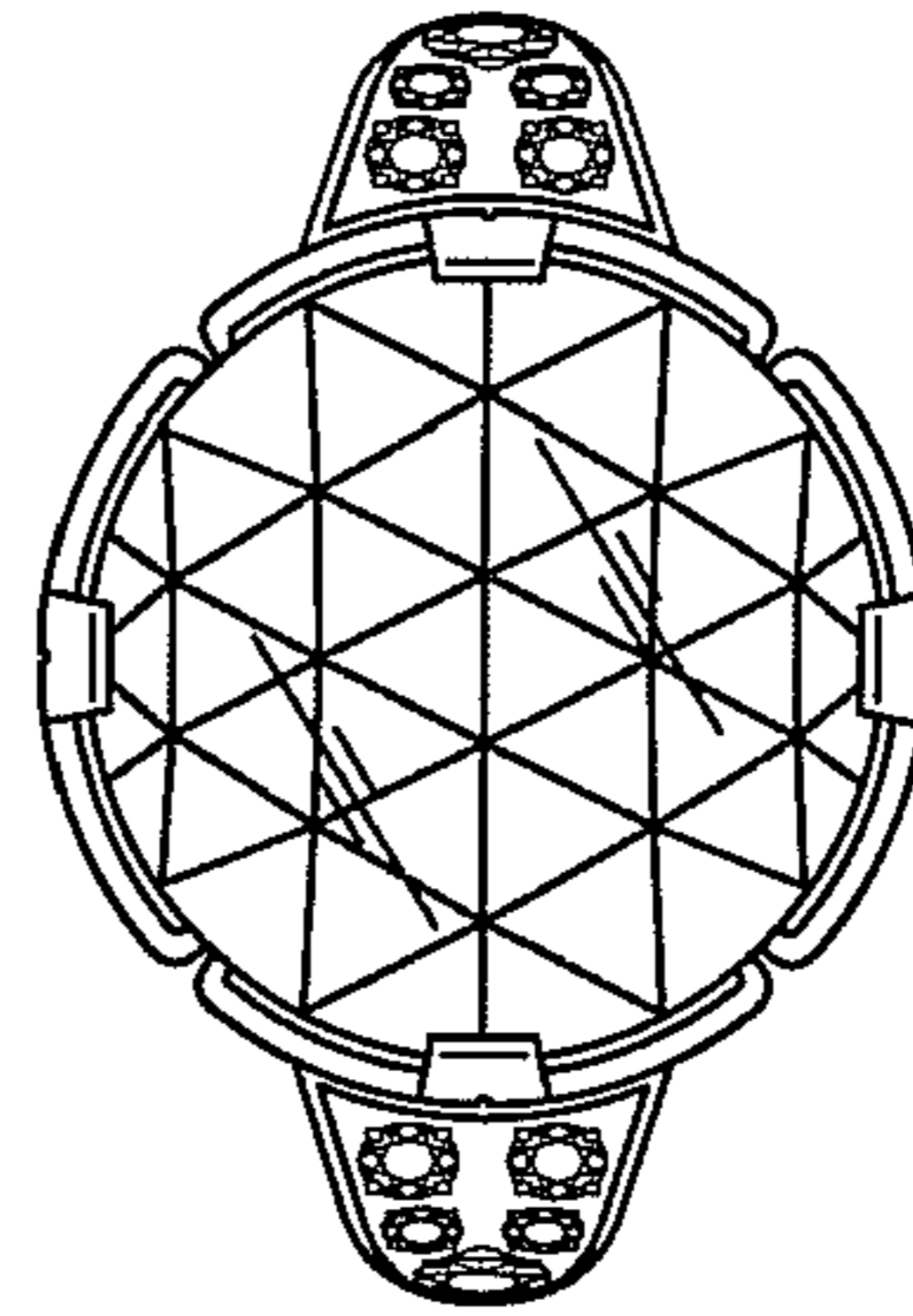
**Fig. 5**



**Fig. 1**



**Fig. 6**



**Fig. 7**

