

US00D598799S

(12) **United States Design Patent**  
**Shigematsu**

(10) **Patent No.:** **US D598,799 S**

(45) **Date of Patent:** **\*\* Aug. 25, 2009**

(54) **REVOLVING WARNING LIGHT**

(75) Inventor: **Daisuke Shigematsu**, Osaka (JP)

(73) Assignee: **Patlite Corporation**, Osaka (JP)

(\*\*) Term: **14 Years**

(21) Appl. No.: **29/313,133**

(22) Filed: **Dec. 10, 2008**

(30) **Foreign Application Priority Data**

Jun. 12, 2008 (JP) ..... 2008-015013

(51) **LOC (9) Cl.** ..... **10-05**

(52) **U.S. Cl.** ..... **D10/114; D10/109**

(58) **Field of Classification Search** ..... D10/114,  
D10/109, 111; D34/25; D22/148; D26/49,  
D26/37, 110, 24, 27, 93, 104; D24/110;  
340/908, 309.8, 309.16, 321, 953, 384.1,  
340/815.77, 691.1, 326; 116/63 P, 63 R;  
362/205, 184, 253, 186; 390/321, 690

See application file for complete search history.

(56) **References Cited**

**U.S. PATENT DOCUMENTS**

D173,826	S *	1/1955	Wiswell	.....	D10/114
3,875,561	A *	4/1975	Scarpino et al.	.....	340/472
D239,730	S *	4/1976	Thomas	.....	D10/114
4,142,179	A *	2/1979	Lowndes	.....	340/321
D267,156	S *	12/1982	Phelps	.....	D10/114
4,428,034	A *	1/1984	Seller	.....	362/186
5,103,383	A *	4/1992	Mayhew	.....	362/186
5,132,659	A *	7/1992	Kuo	.....	340/326
5,207,496	A *	5/1993	Stanuch et al.	.....	362/35

D402,577	S *	12/1998	Payne et al.	.....	D10/114
5,929,788	A *	7/1999	Vukosic	.....	340/908.1
6,525,668	B1 *	2/2003	Petrick	.....	340/815.45
D513,477	S *	1/2006	Heftman	.....	D10/111
7,079,041	B2 *	7/2006	Fredericks et al.	.....	340/815.45
D544,805	S *	6/2007	Corrigan et al.	.....	D10/111
2006/0132323	A1 *	6/2006	Grady	.....	340/815.45
2007/0097700	A1 *	5/2007	Pederson	.....	362/555
2009/0045933	A1 *	2/2009	Smith et al.	.....	340/468
2009/0067172	A1 *	3/2009	Inoue et al.	.....	362/240

\* cited by examiner

*Primary Examiner*—Caron Veynar

*Assistant Examiner*—George D Kirschbaum

(74) *Attorney, Agent, or Firm*—William L. Androlia; H. Henry Koda

(57) **CLAIM**

The ornamental design for a revolving warning light, as shown and described.

**DESCRIPTION**

FIG. 1 is a front elevational view of a revolving warning light showing my new design;

FIG. 2 is a rear elevational view thereof;

FIG. 3 is a top plan view thereof;

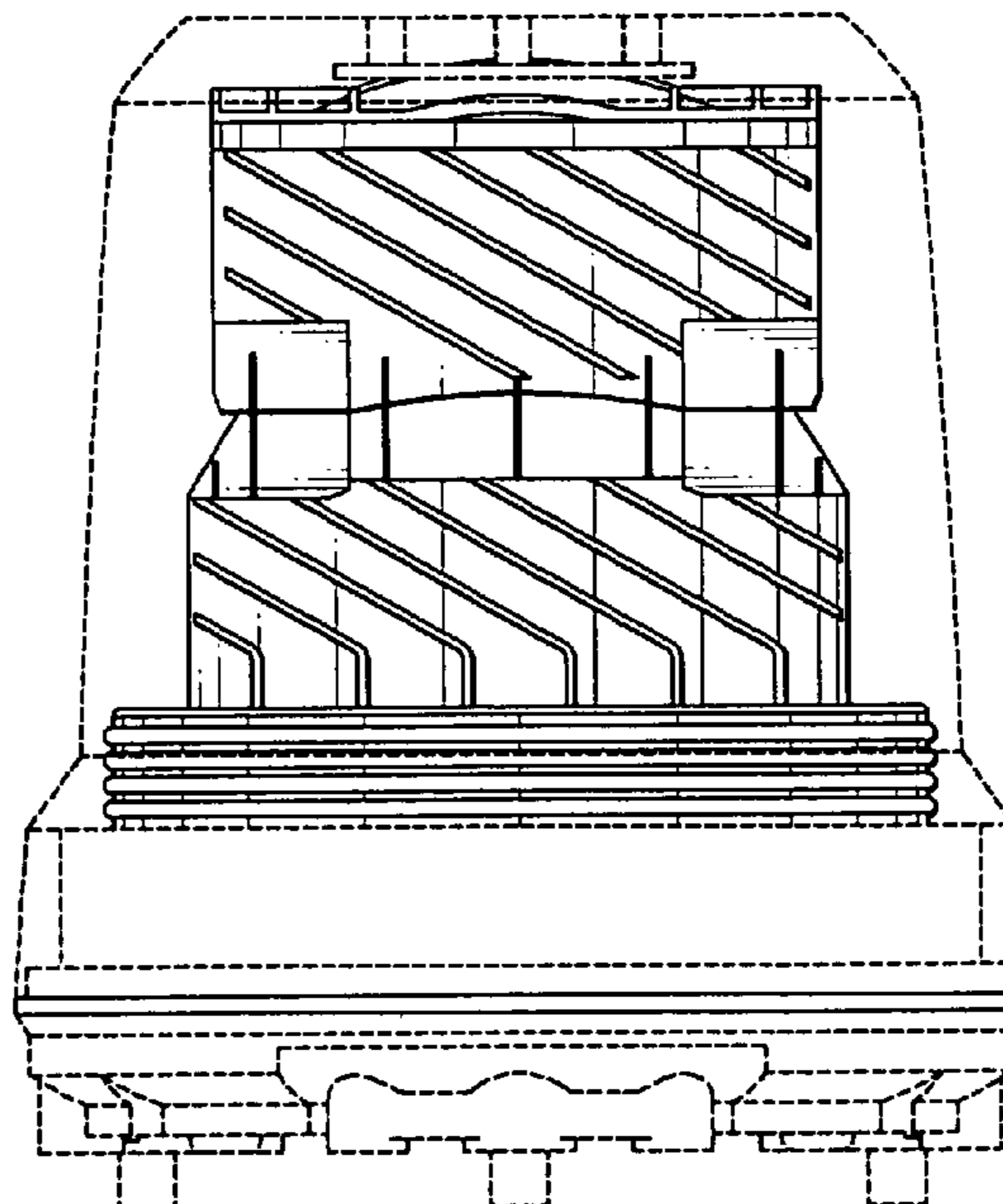
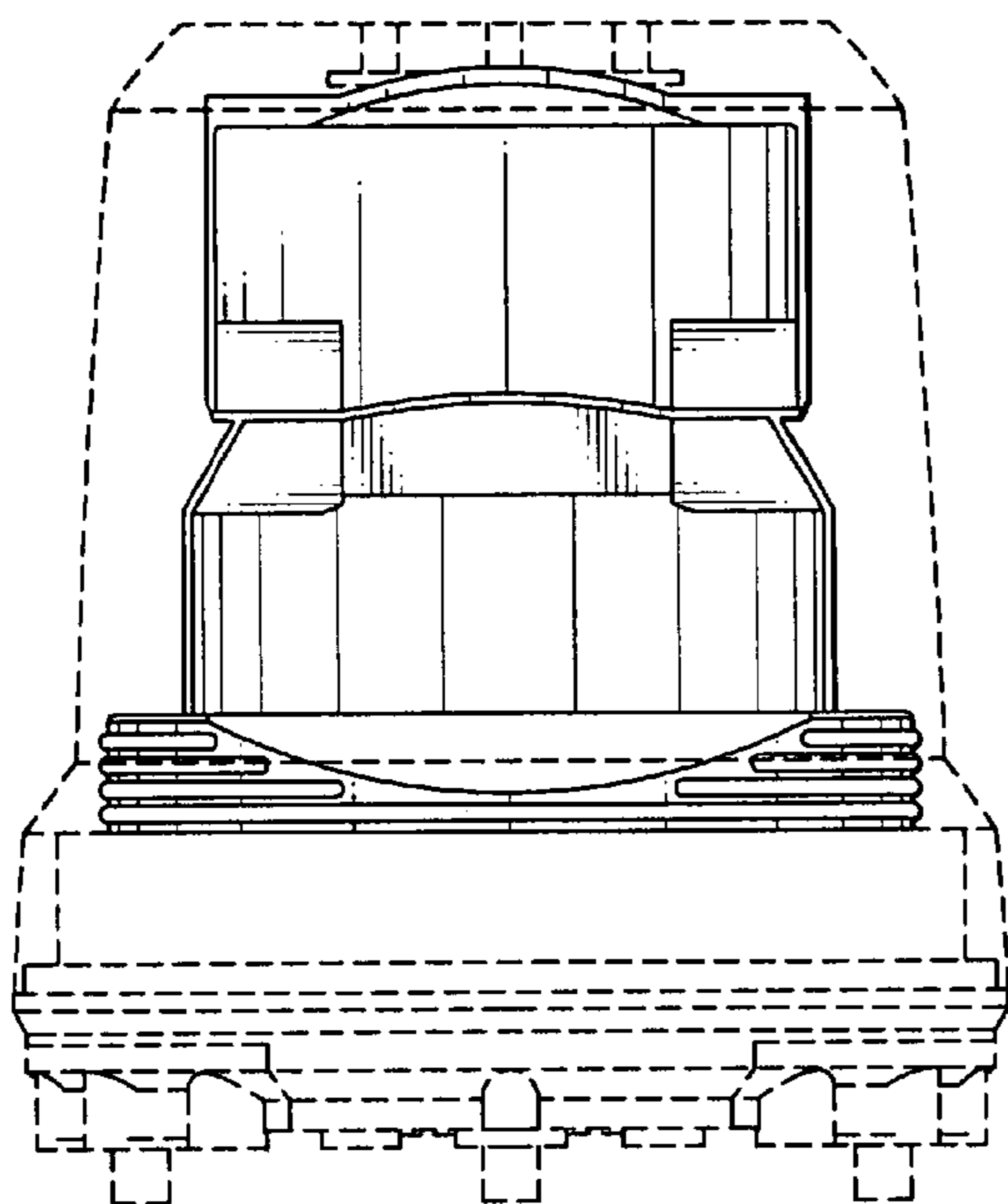
FIG. 4 is a bottom plan view thereof; and

FIG. 5 is a right side elevational view thereof, and,

FIG. 6 is a left side elevational view thereof.

The broken lines depict unclaimed environmental subject matter.

**1 Claim, 3 Drawing Sheets**



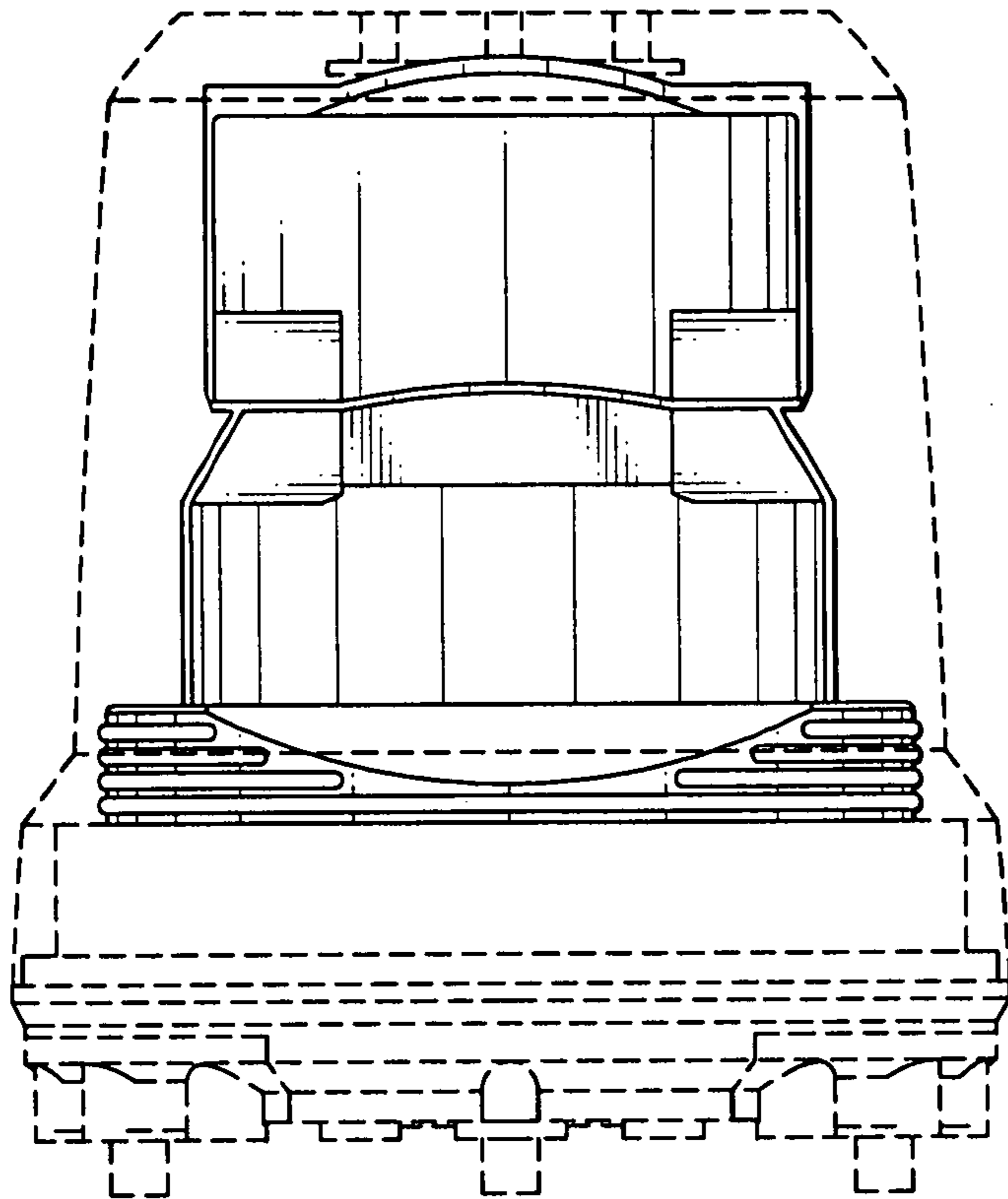


FIG. 1

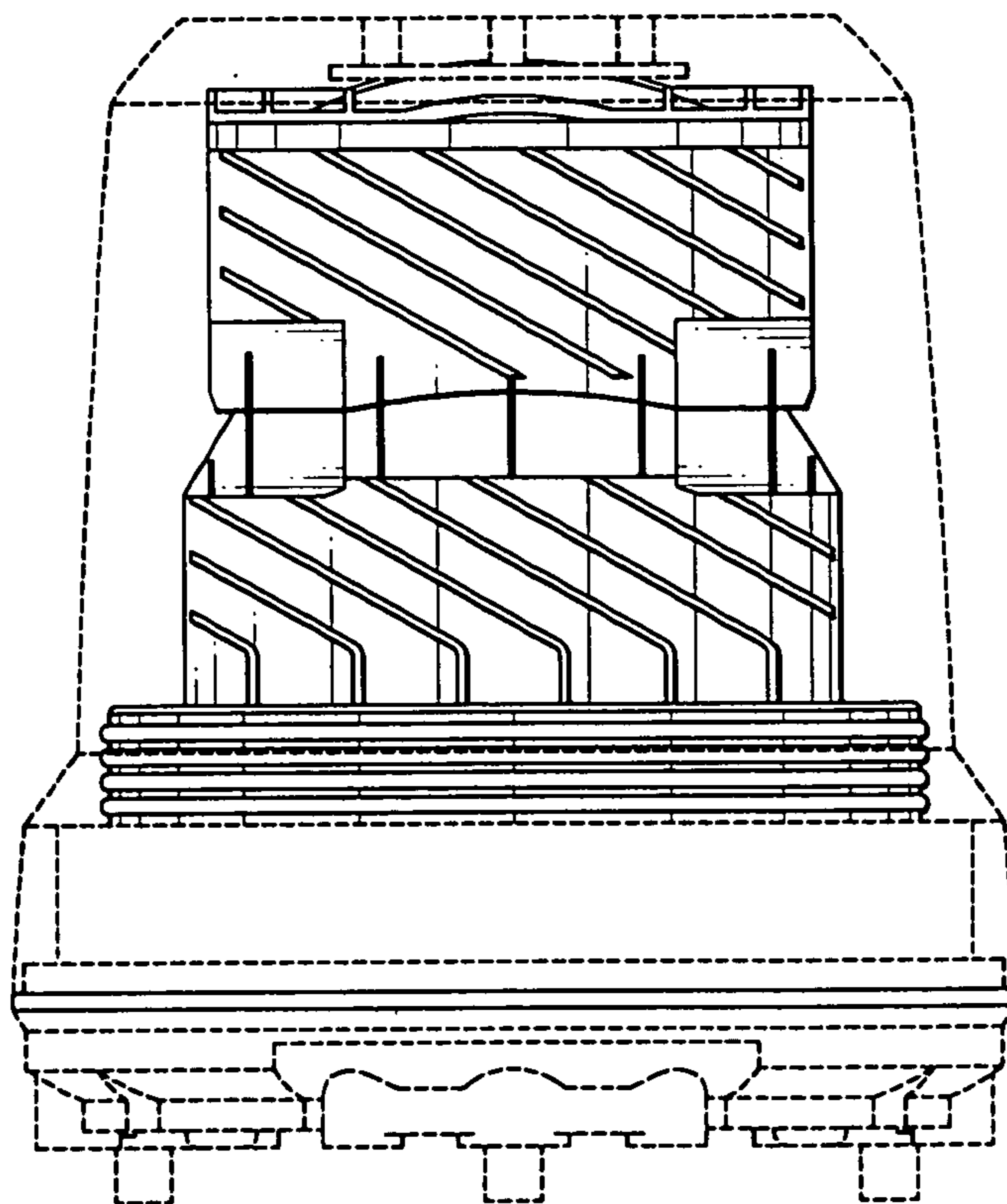


FIG. 2

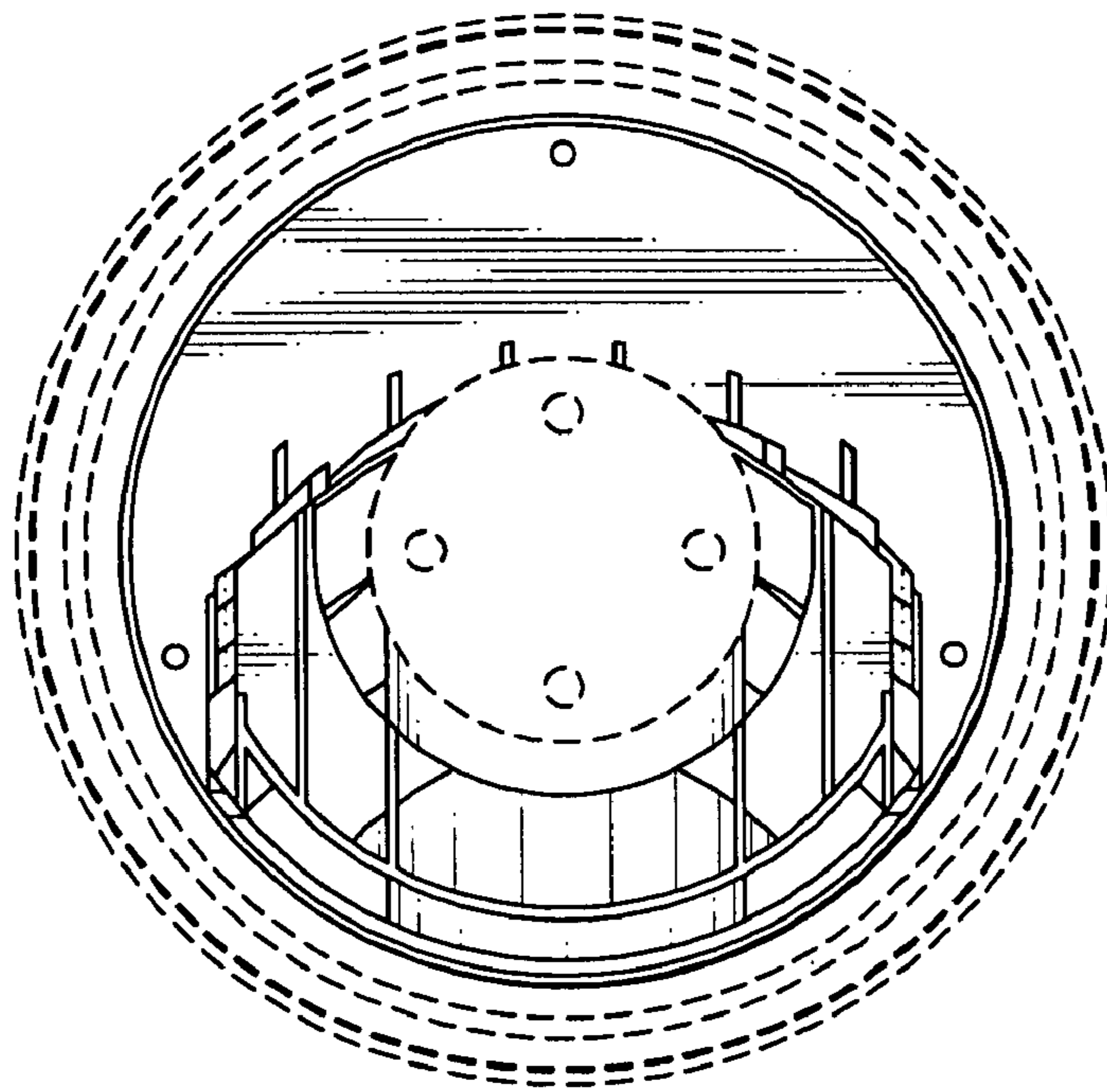


FIG. 3

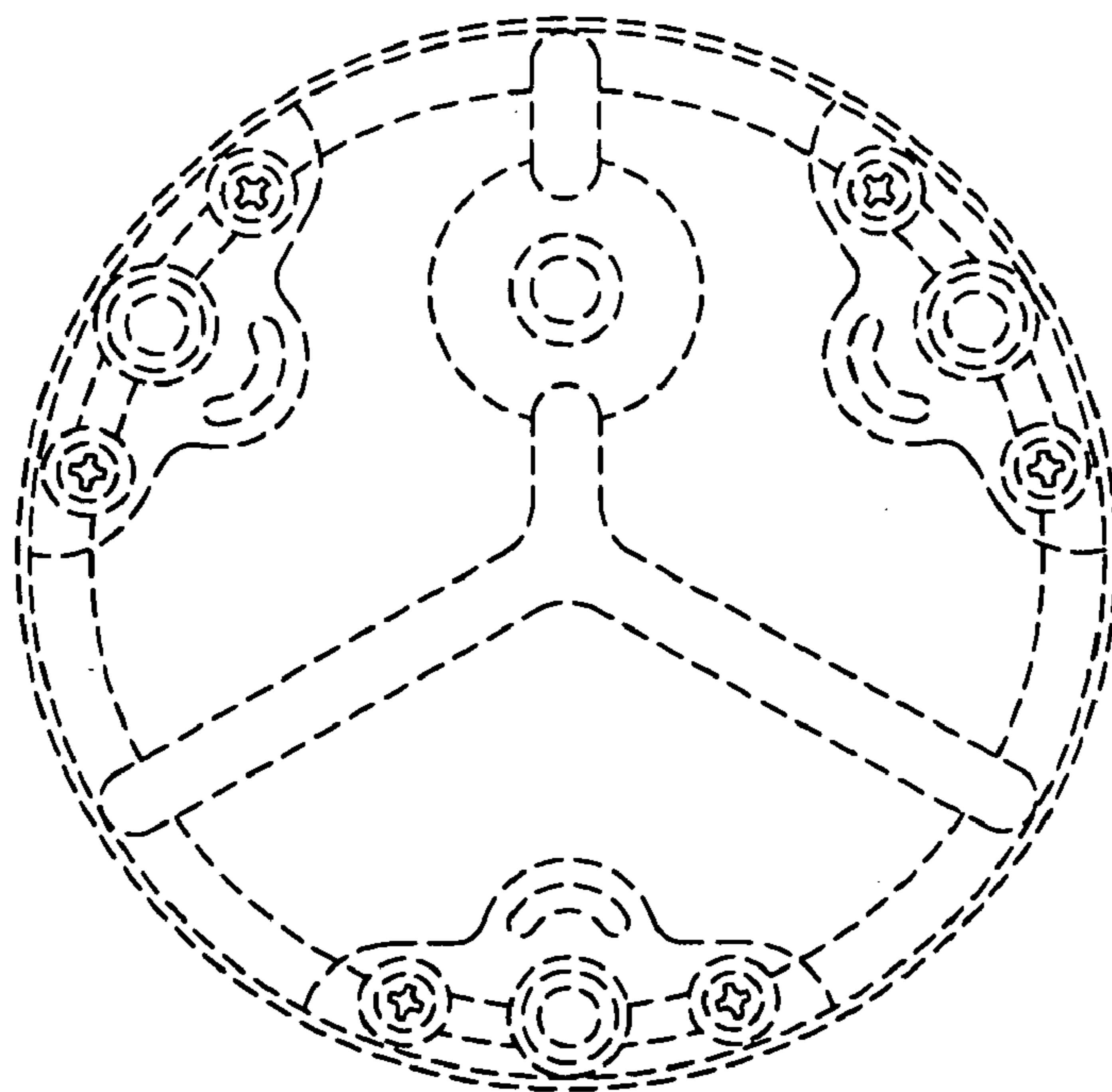


FIG. 4



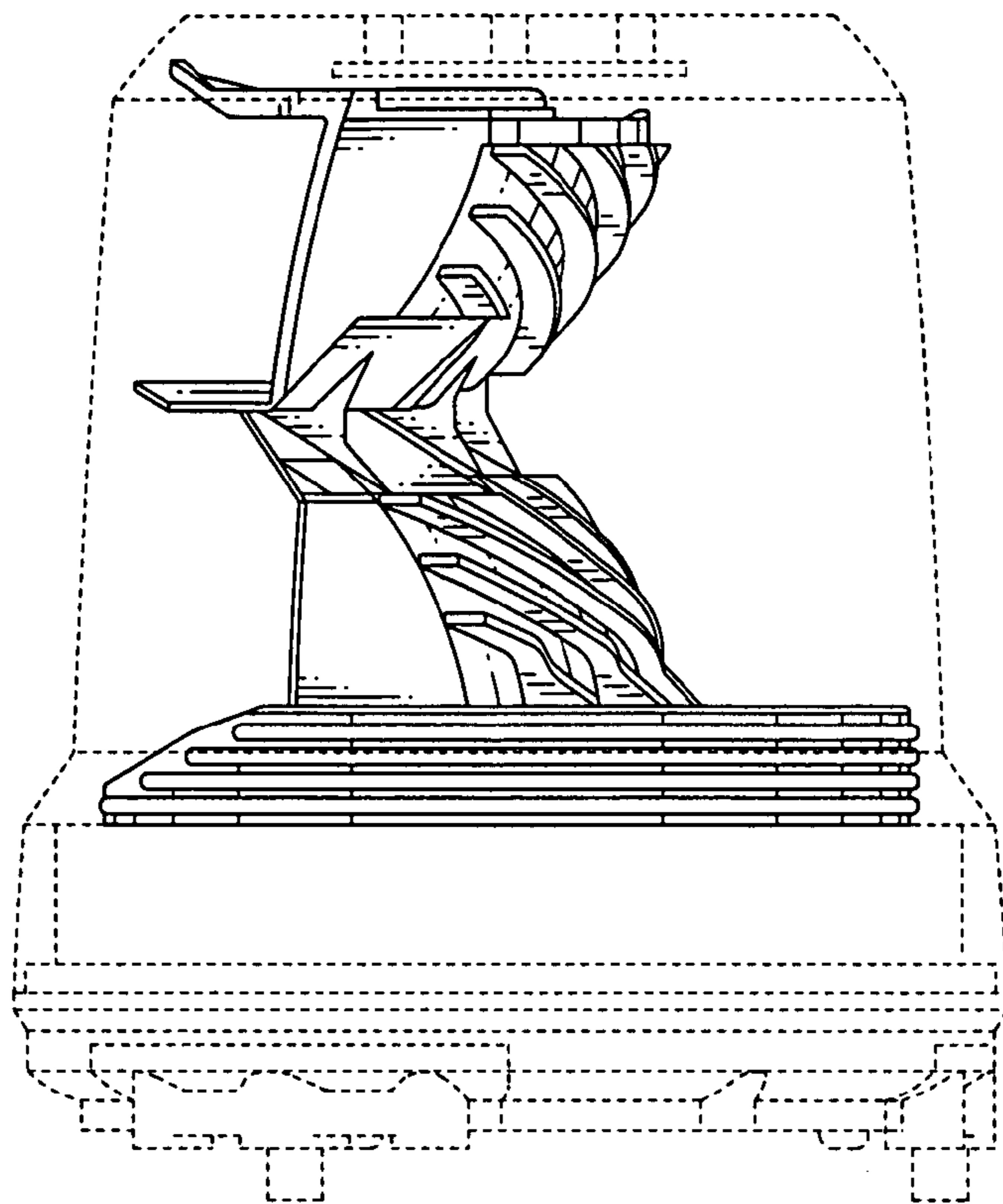


FIG. 5

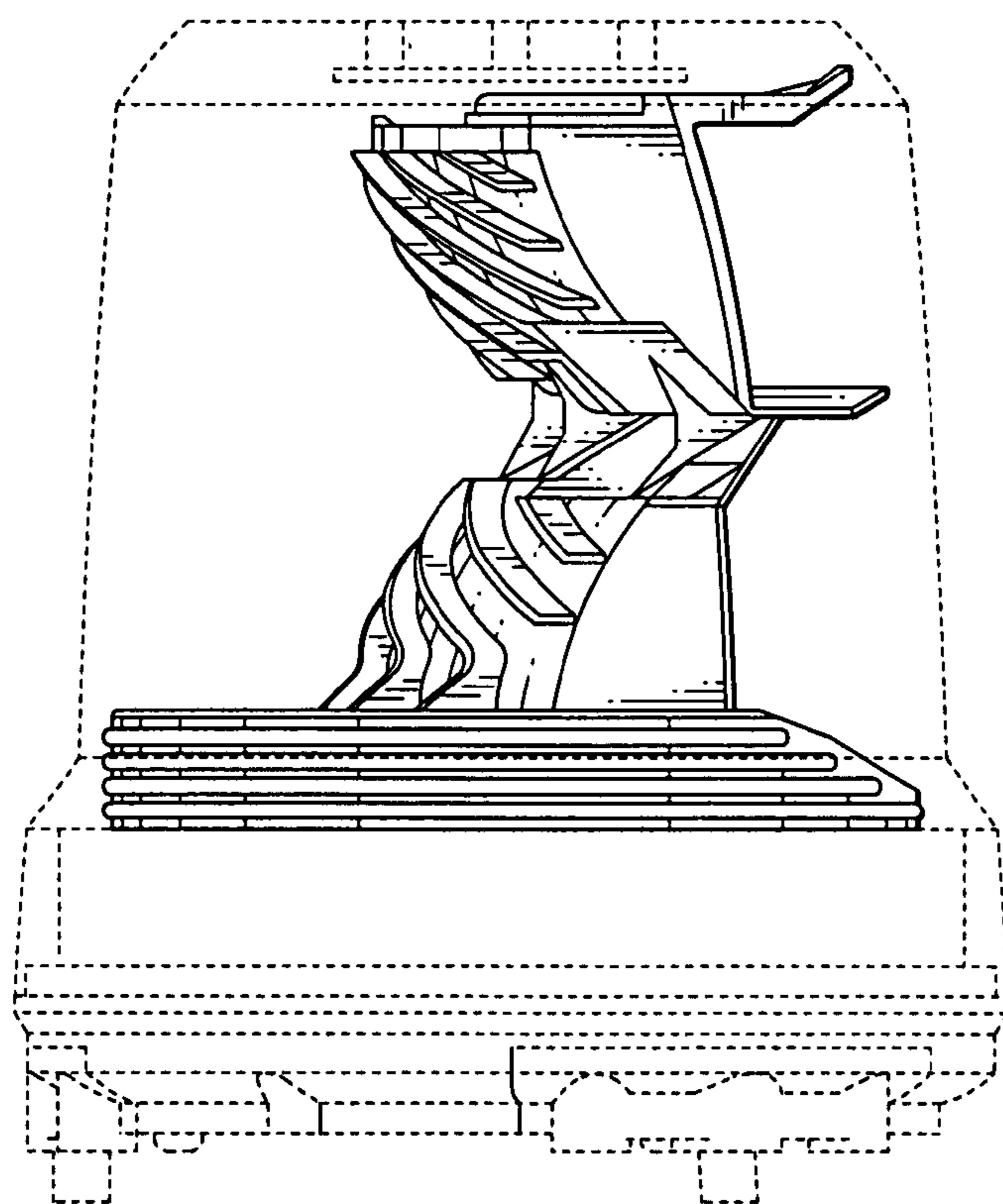


FIG. 6