

US00D598798S

(12) **United States Design Patent**  
**Tsui**

(10) **Patent No.:** **US D598,798 S**

(45) **Date of Patent:** **\*\* Aug. 25, 2009**

(54) **FABRIC AND PLASTIC MATERIALS FOUR SIDED WARNING SIGN**

(76) Inventor: **Chi-wah Tsui**, Room 42, 9/F, Block D  
Wah Lok Industrial Centre, 37-41 Shan  
Mei Street, Fotan, Shatin, New  
Territories (HK)

(\*\*) Term: **14 Years**

(21) Appl. No.: **29/312,501**

(22) Filed: **Oct. 24, 2008**

(51) **LOC (9) Cl.** ..... **10-05**

(52) **U.S. Cl.** ..... **D10/109**

(58) **Field of Classification Search** ..... D10/109,  
D10/113, 114; D20/10, 39-43; 116/63 R,  
116/63 P, 63 T, 63 C, 28 R, 209; 40/584,  
40/606, 607, 608, 611, 612; 404/4-16  
See application file for complete search history.

(56) **References Cited**

**U.S. PATENT DOCUMENTS**

4,253,260	A *	3/1981	Maza et al.	40/610
D260,780	S *	9/1981	Maza et al.	D20/10
4,796,369	A *	1/1989	Hamann	40/606.15
D371,807	S *	7/1996	Mandell et al.	D20/10
5,621,992	A *	4/1997	Mandell et al.	40/610
D395,334	S *	6/1998	Eberle et al.	D20/10
D405,708	S *	2/1999	Liu	D10/109

D412,131	S *	7/1999	Bent et al.	D10/113
6,305,312	B1 *	10/2001	Bent et al.	116/63 P
6,338,213	B1 *	1/2002	Young et al.	40/610
D498,161	S *	11/2004	Gagnon	D10/109
D502,660	S *	3/2005	Feit et al.	D10/109
2004/0244670	A1 *	12/2004	Young	116/63 R
2009/0025265	A1 *	1/2009	Jedlicka	40/610

\* cited by examiner

*Primary Examiner*—Caron Veynar

*Assistant Examiner*—George D Kirschbaum

(74) *Attorney, Agent, or Firm*—Kaplan Gilman & Pergament LLP

(57) **CLAIM**

I claim a fabric and plastic materials four sided warning sign, as shown and described.

**DESCRIPTION**

FIG. 1 is a front view of the fabric and plastic materials four sided warning sign showing my new design;

FIG. 2 is a side view thereof;

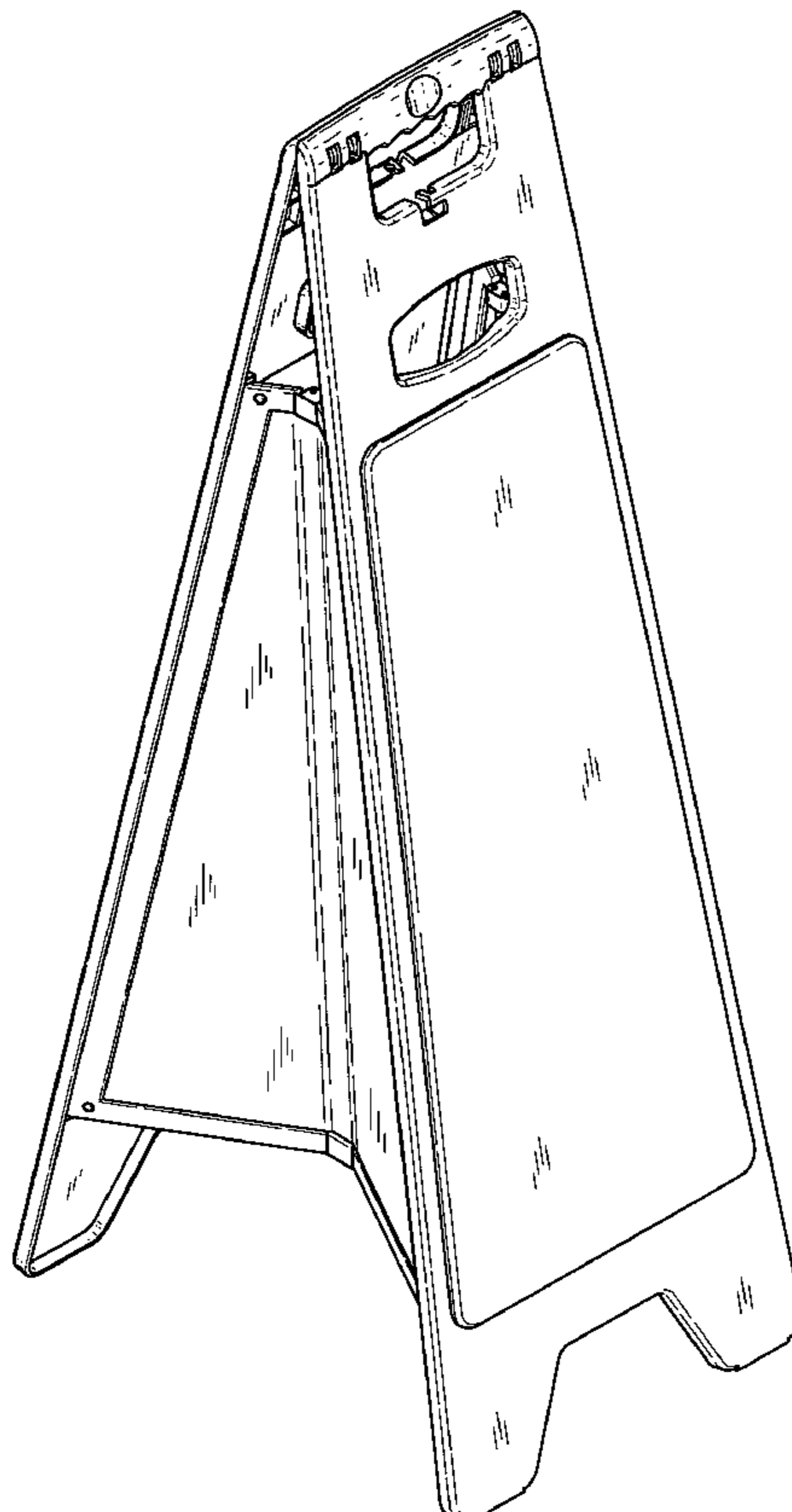
FIG. 3 is a top view thereof;

FIG. 4 is a bottom view thereof;

FIG. 5 is a perspective view thereof; and,

FIG. 6 is a perspective view thereof showing the design in an alternate position.

**1 Claim, 5 Drawing Sheets**



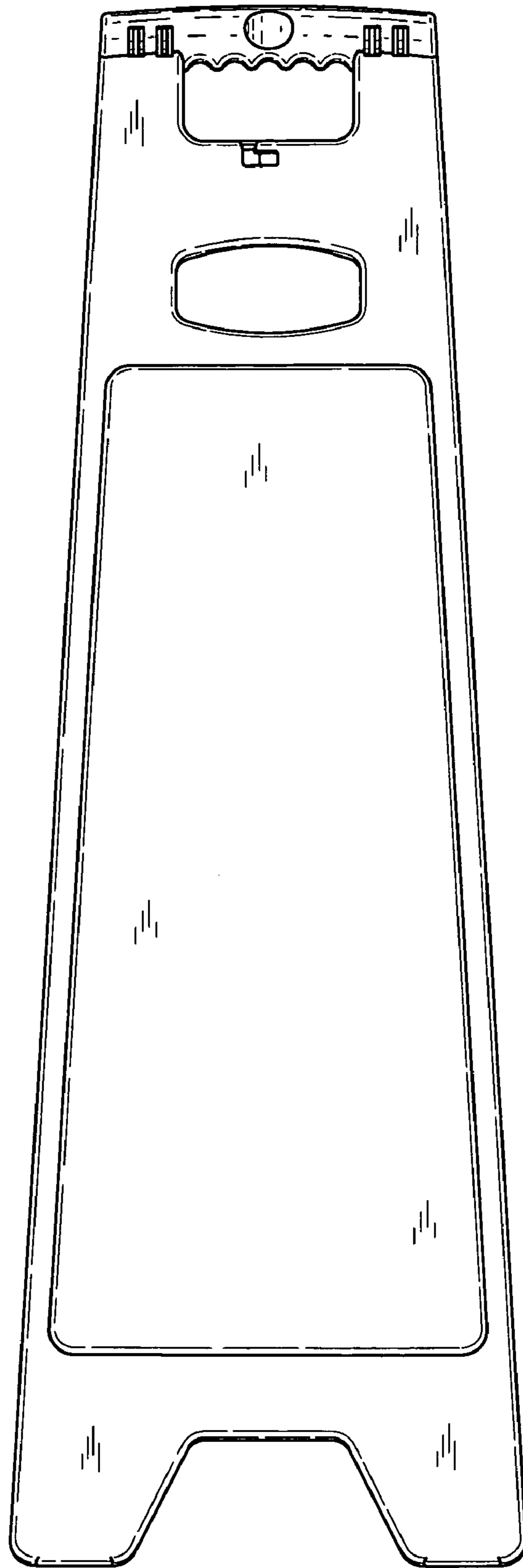


Fig.1

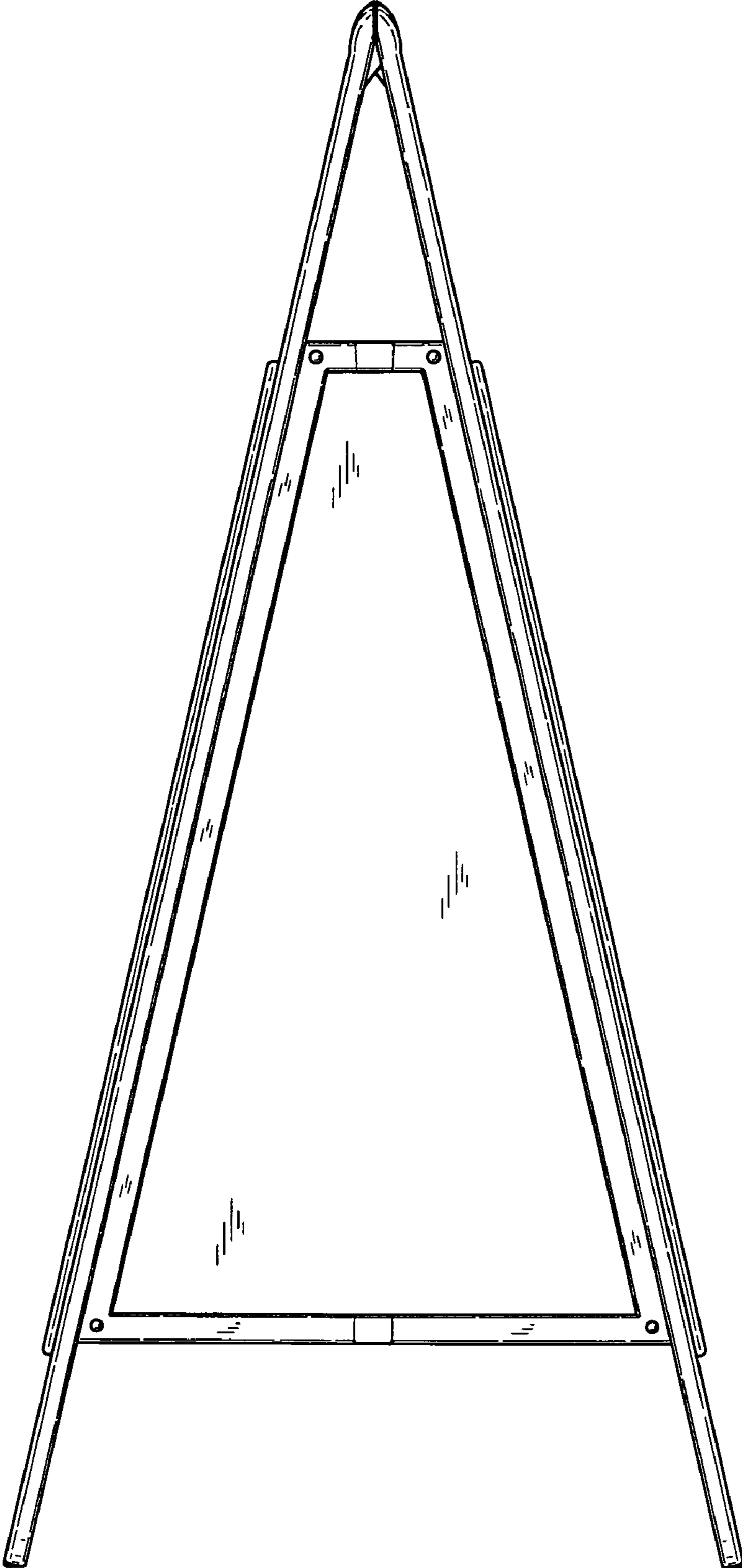


Fig.2

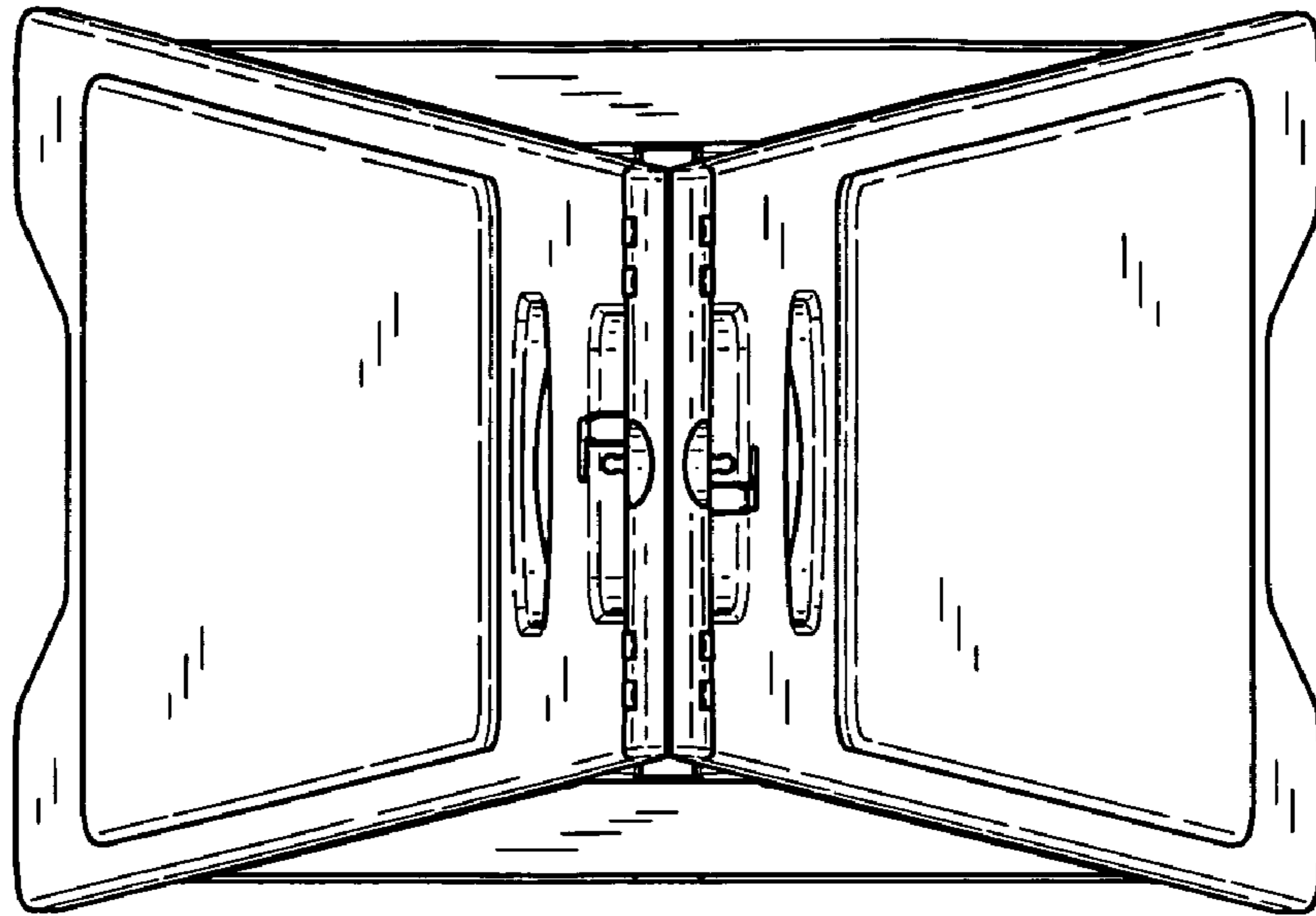


Fig.3

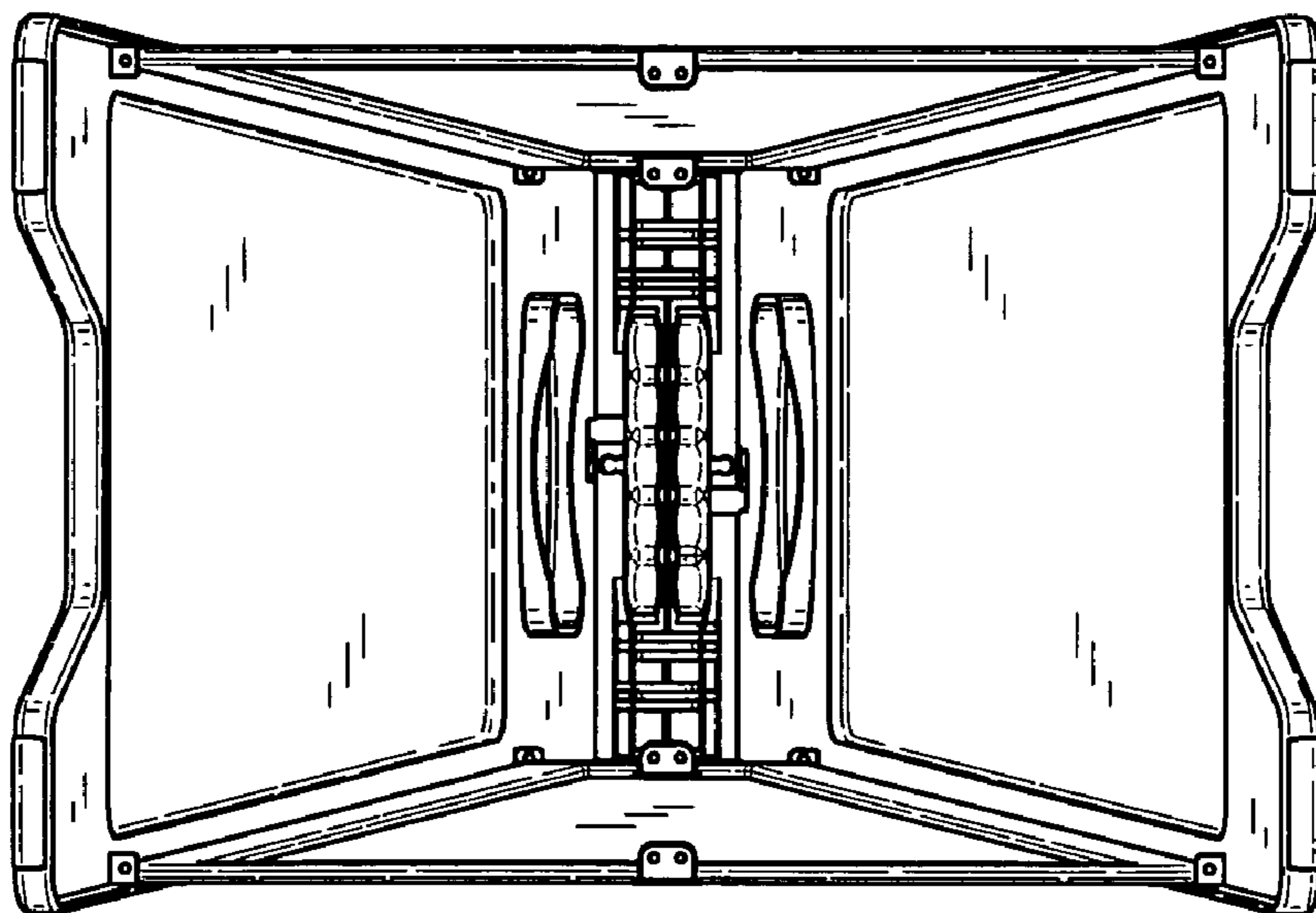


Fig.4

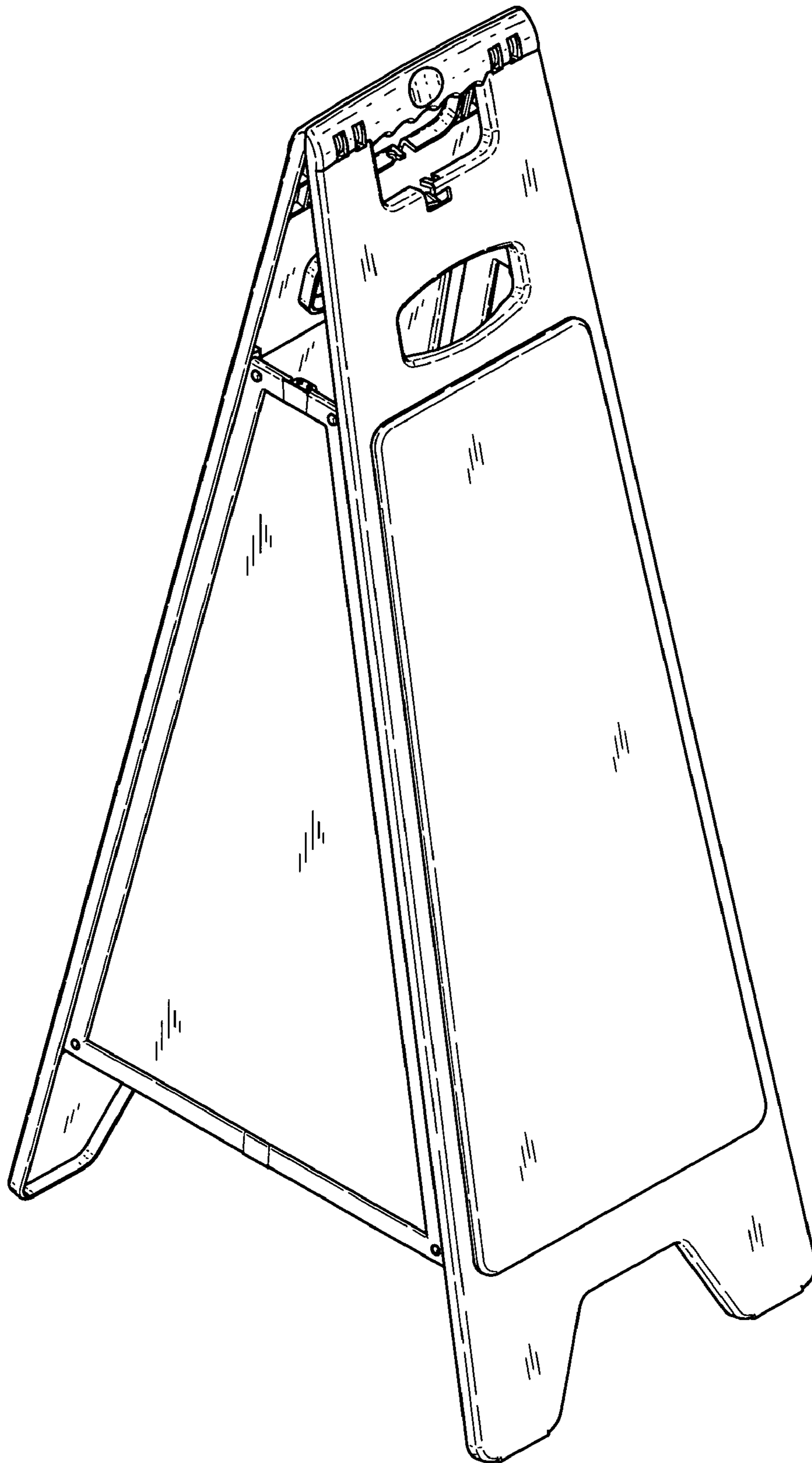


Fig.5

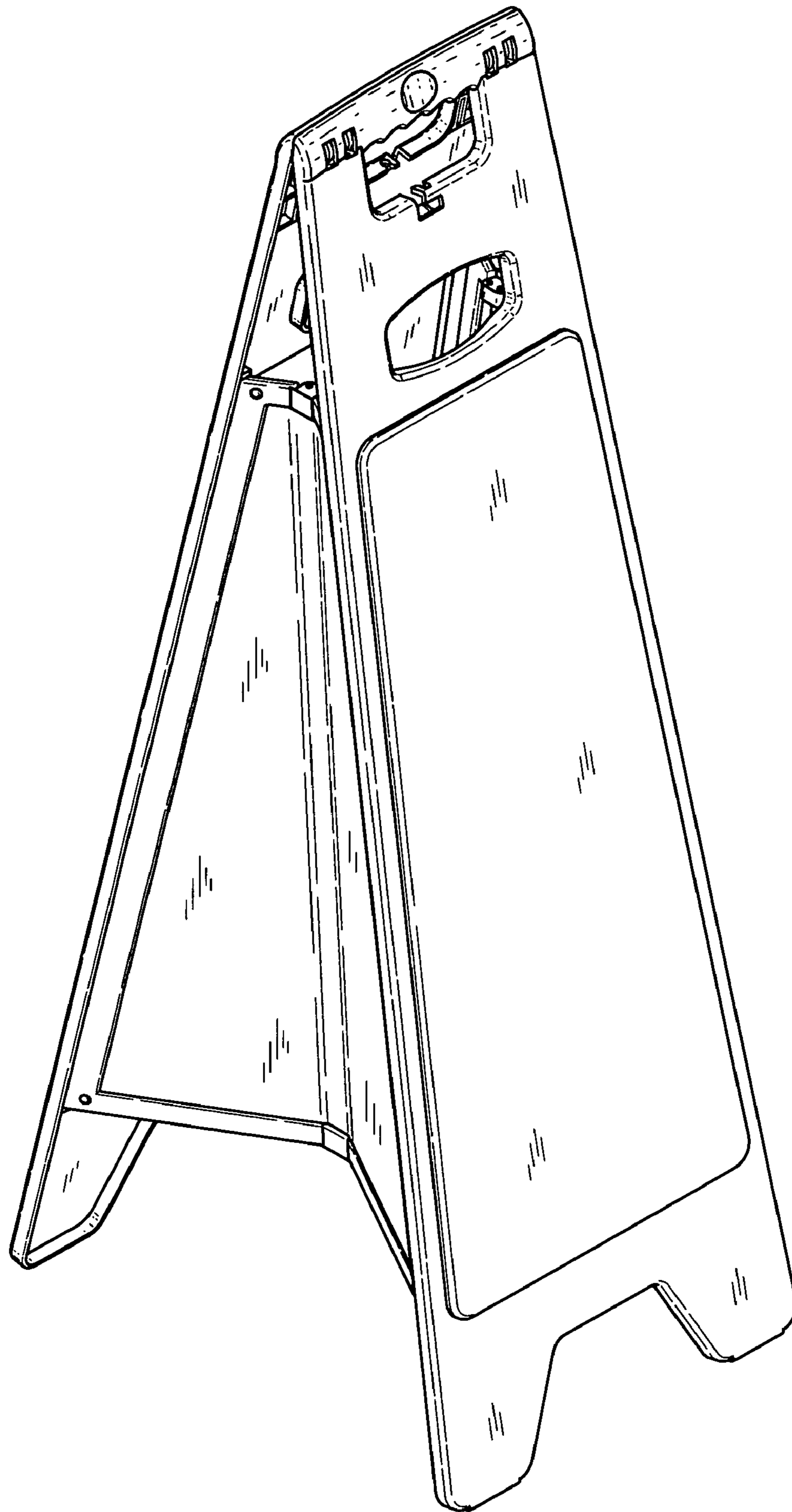


Fig.6