



US00D598796S

(12) **United States Design Patent**  
**Sundheim et al.**

(10) **Patent No.:** **US D598,796 S**

(45) **Date of Patent:** **\*\* Aug. 25, 2009**

(54) **MANIFOLD GAUGE SET**

(75) Inventors: **Gregory S. Sundheim**, 5170 Juniper St.,  
Bowmar, CO (US) 80123; **Robert M.  
Morris**, Lakewood, CO (US)

(73) Assignee: **Gregory S. Sundheim**, Bowmar, CO  
(US)

(\*\*) Term: **14 Years**

(21) Appl. No.: **29/326,591**

(22) Filed: **Oct. 21, 2008**

(51) **LOC (9) Cl.** ..... **10-04**

(52) **U.S. Cl.** ..... **D10/102**

(58) **Field of Classification Search** ..... D10/102;  
62/292; 73/197; 137/625.42

See application file for complete search history.

(56) **References Cited**

**U.S. PATENT DOCUMENTS**

D482,292 S \* 11/2003 Minshall et al. .... D10/102  
2007/0245821 A1\* 10/2007 Chiu ..... 73/197

\* cited by examiner

*Primary Examiner*—Antoine D Davis

(74) *Attorney, Agent, or Firm*—W. Scott Carson

(57) **CLAIM**

The ornamental design for a manifold gauge set, as shown and described.

**DESCRIPTION**

FIG. 1 is a perspective view of a manifold gauge set showing our new design.

FIG. 2 is a front elevational view thereof.

FIG. 3 is a rear elevational view thereof.

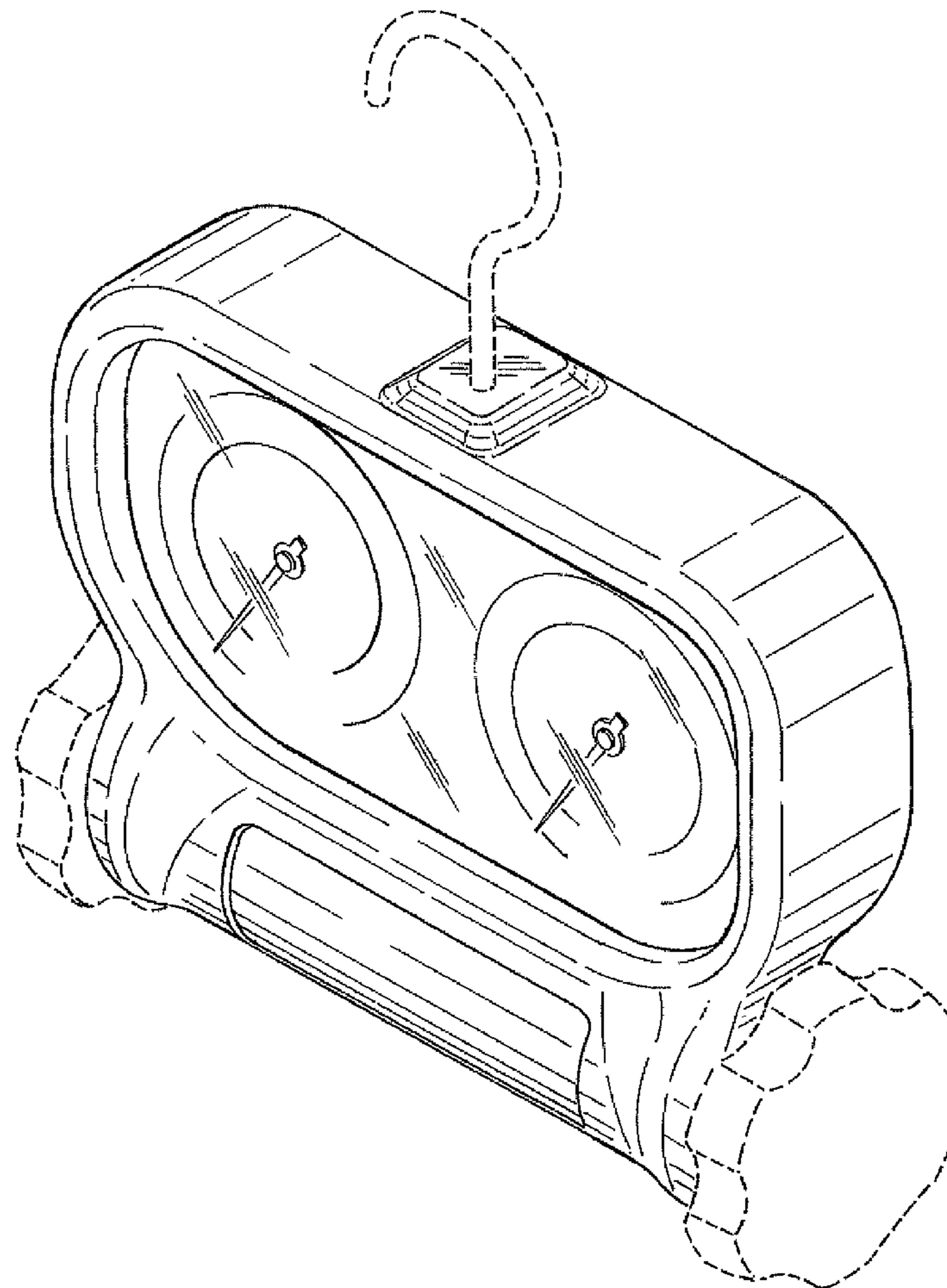
FIG. 4 is a right side elevational view, the left side elevational view being a mirror image thereof.

FIG. 5 is a top plan view thereof; and,

FIG. 6 is a bottom plan view thereof.

The broken lines in the drawings are for illustrative purposes only and form no part of the claimed design.

**1 Claim, 6 Drawing Sheets**



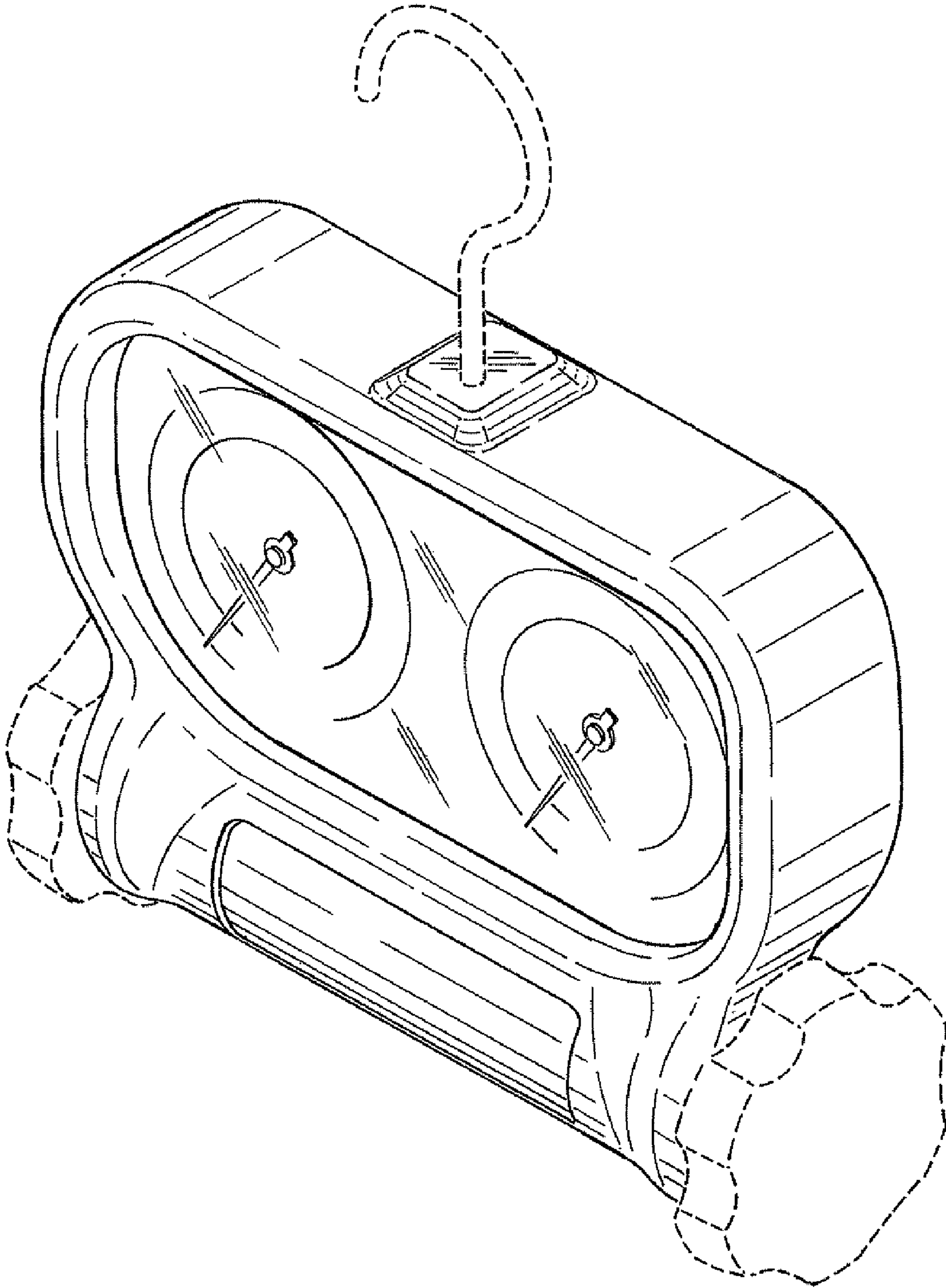


Fig. 1

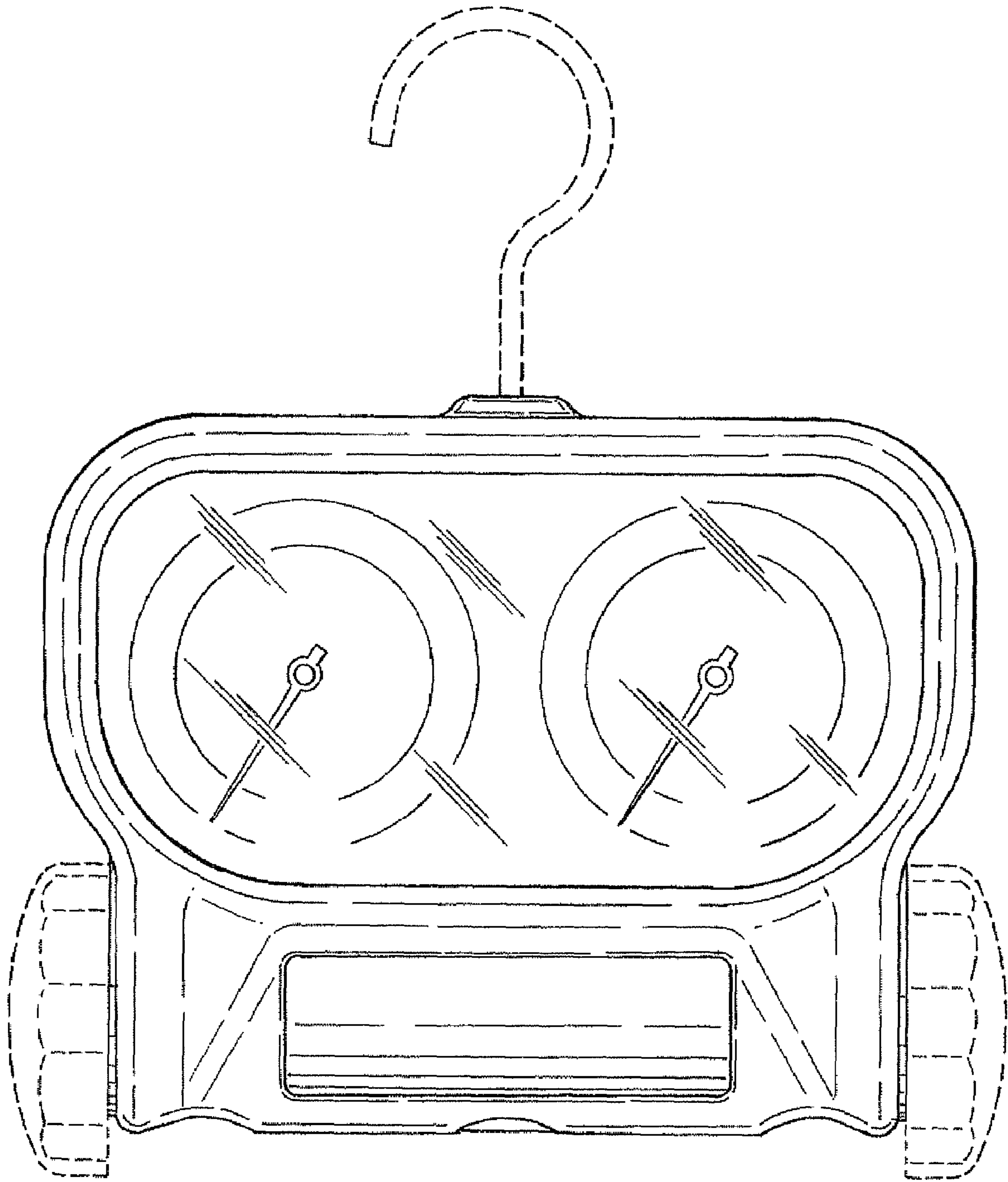


Fig. 2

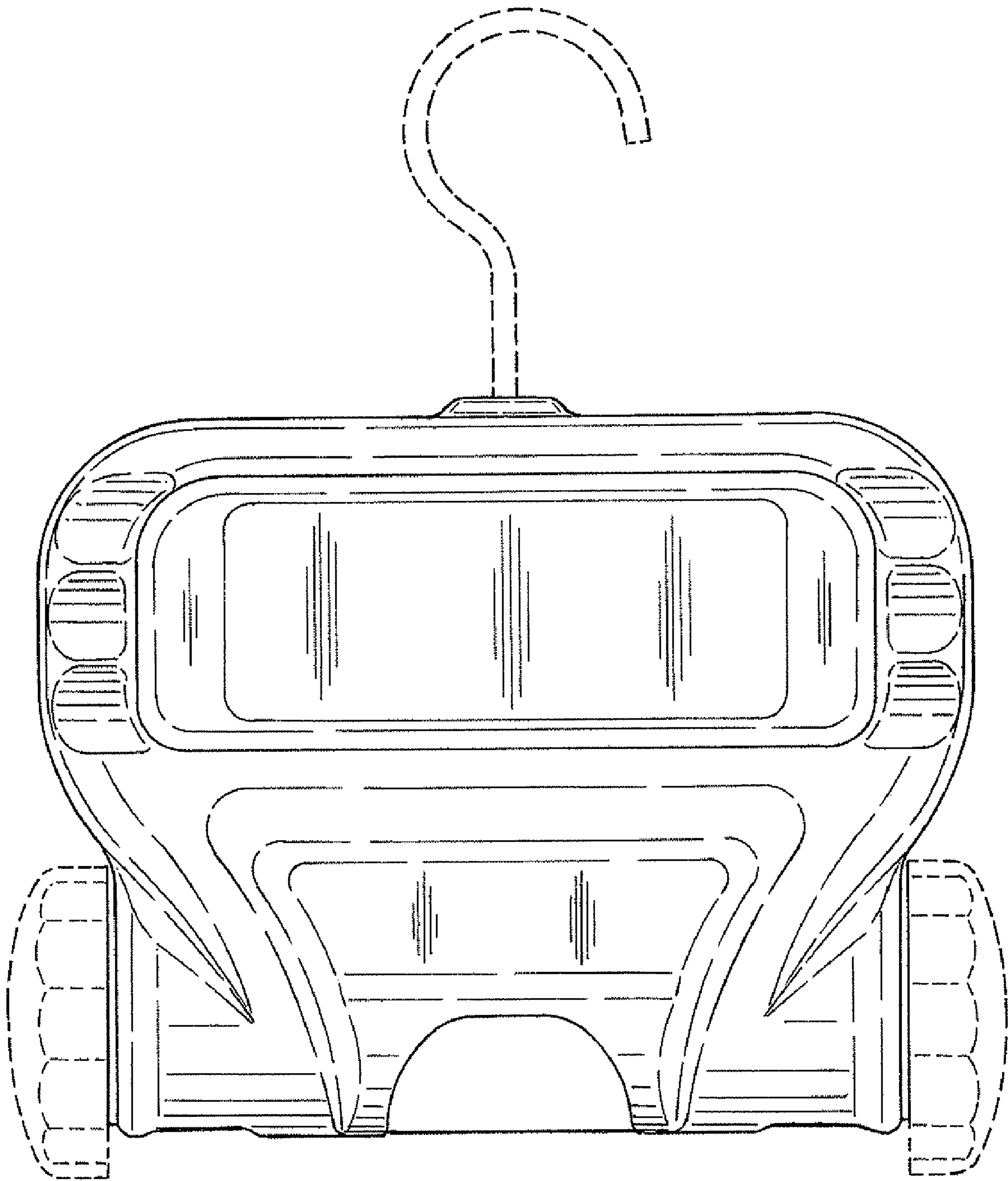
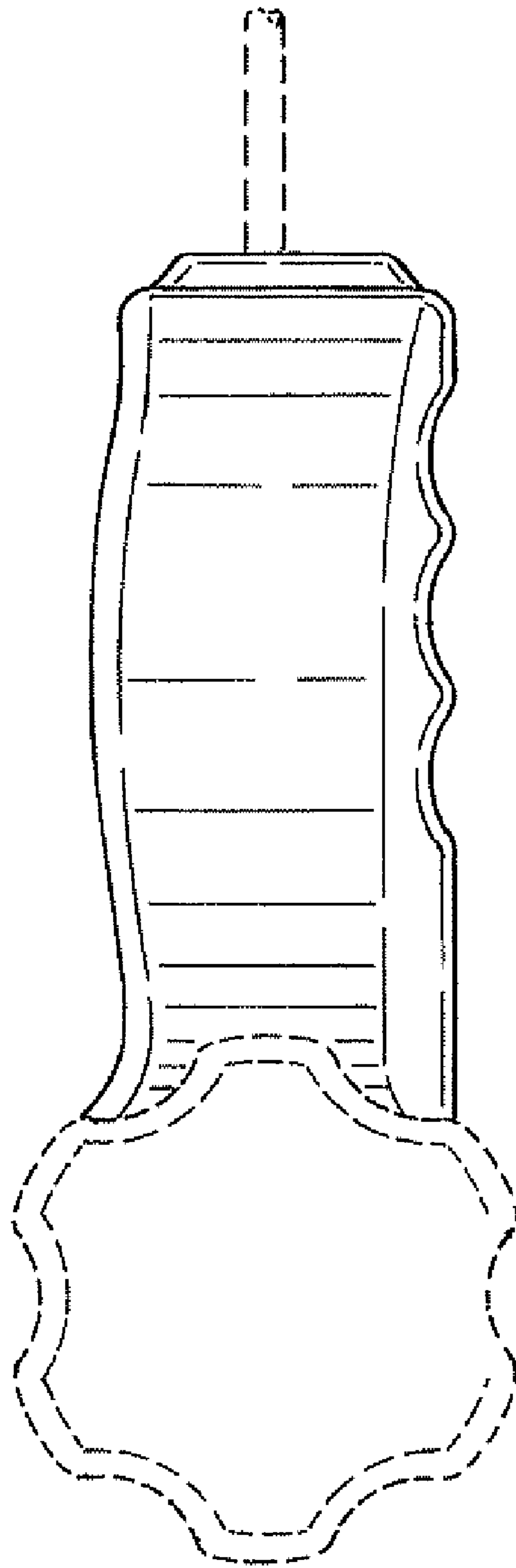


Fig. 3



**Fig. 4**

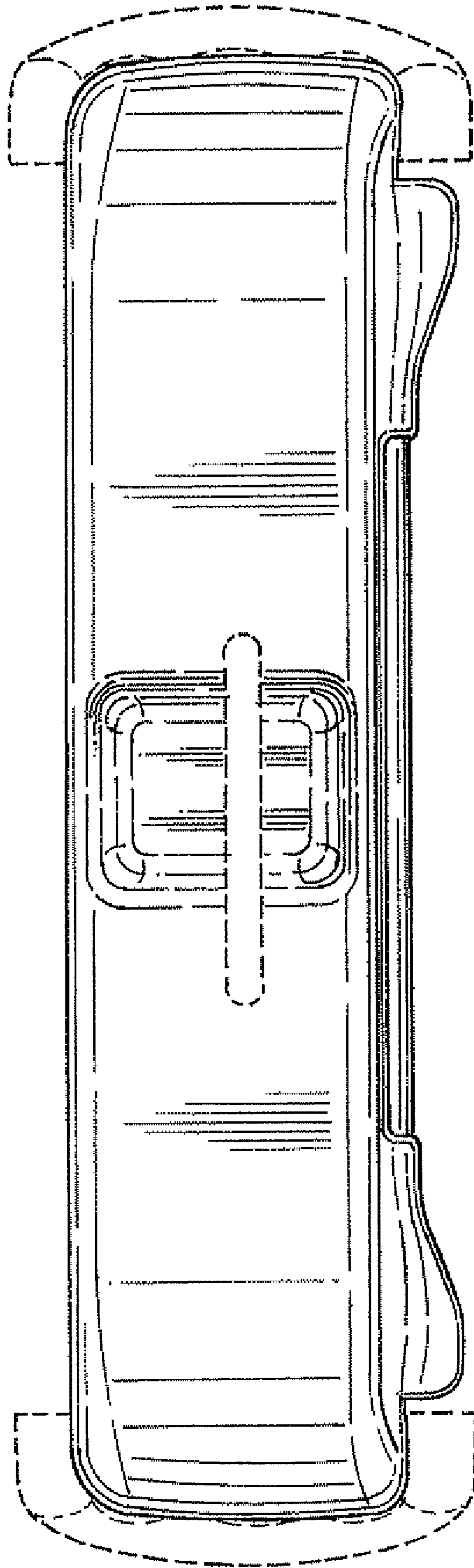


Fig. 5

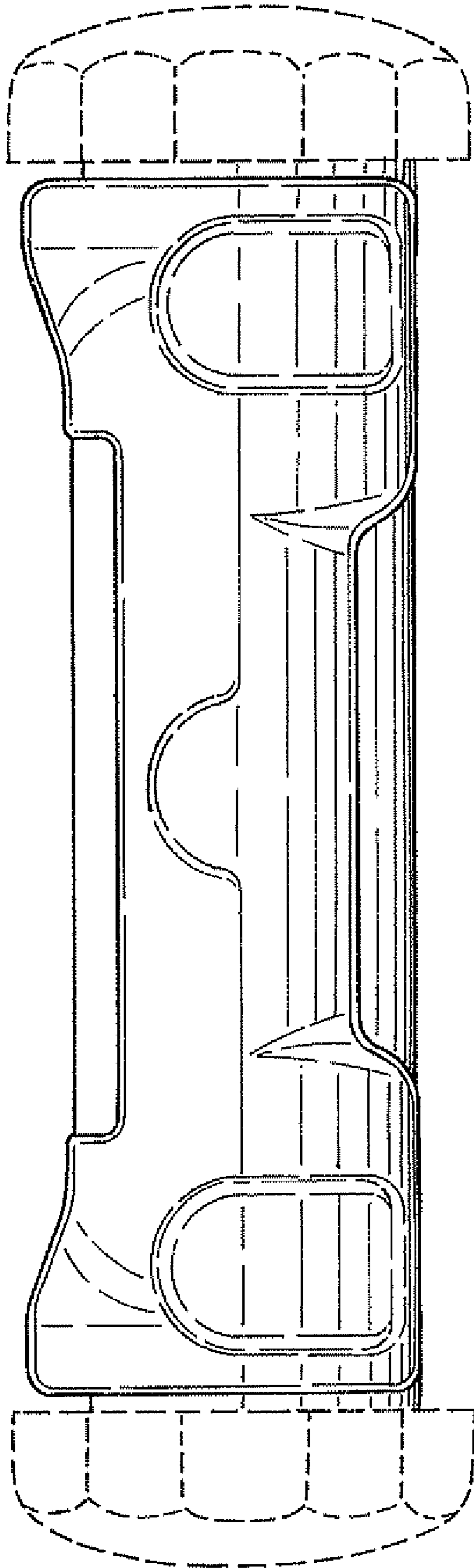


Fig. 6