



US00D598791S

(12) **United States Design Patent**  
**Kohl**

(10) **Patent No.:** **US D598,791 S**  
(45) **Date of Patent:** **\*\* Aug. 25, 2009**

(54) **RING MANDREL**

(76) Inventor: **Thomas D. Kohl**, 13895 Braun Rd.,  
Golden, CO (US) 80401

(\*\*) Term: **14 Years**

(21) Appl. No.: **29/329,860**

(22) Filed: **Dec. 22, 2008**

(51) **LOC (9) Cl.** ..... **10-04**

(52) **U.S. Cl.** ..... **D10/64**

(58) **Field of Classification Search** ..... D10/64;  
D15/199; 29/10, 160.6; 269/287

See application file for complete search history.

(56) **References Cited**

U.S. PATENT DOCUMENTS

518,921 A \* 4/1894 Hope ..... 269/287

\* cited by examiner

*Primary Examiner*—Antoine D Davis

(74) *Attorney, Agent, or Firm*—Dorsey & Whitney LLP.

(57) **CLAIM**

The ornamental design for a ring mandrel, as shown and described.

**DESCRIPTION**

FIG. 1 is a top perspective view of a ring mandrel of the present invention;

FIG. 2 is a top view of the ring mandrel of FIG. 1;

FIG. 3 is a left elevation view of the ring mandrel of FIG. 1, with the sizing scale shown in broken lines and forming no part of the claimed design;

FIG. 4 is a right elevation view of the ring mandrel of FIG. 1;

FIG. 5 is a rear elevation view of the ring mandrel of FIG. 1;

FIG. 6 is a front elevation view of the ring mandrel of FIG. 1;

The bottom view of the ring mandrel of FIG. 1 is a mirror image of the top view of the ring mandrel shown in FIG. 2;

FIG. 7 is a top perspective view of another version of a ring mandrel of the present invention;

FIG. 8 is a top view of the ring mandrel of FIG. 7;

FIG. 9 is a left elevation view of the ring mandrel of FIG. 7, with the sizing scale shown in broken lines and forming no part of the claimed design;

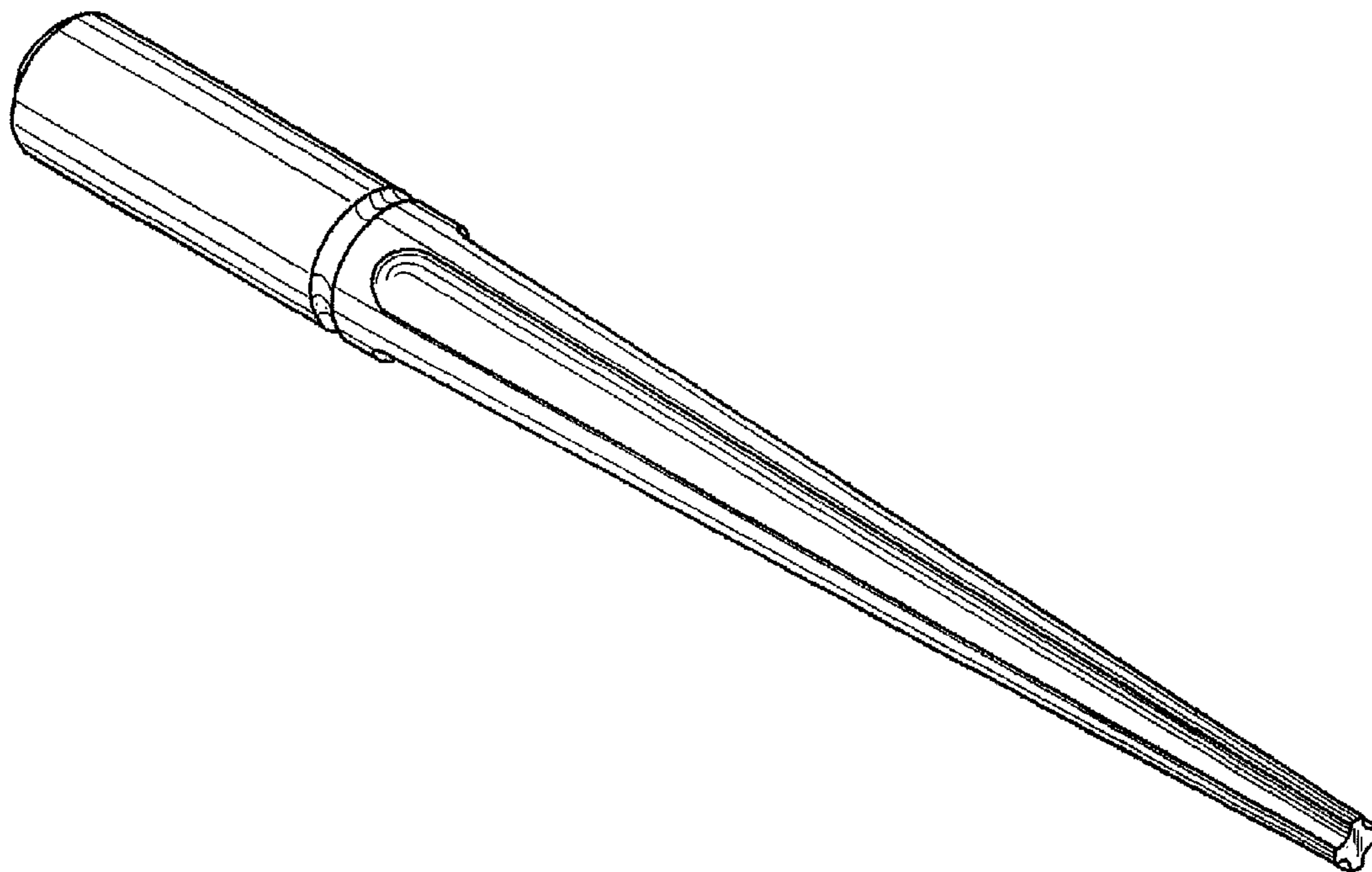
FIG. 10 is a right elevation view of the ring mandrel of FIG. 7;

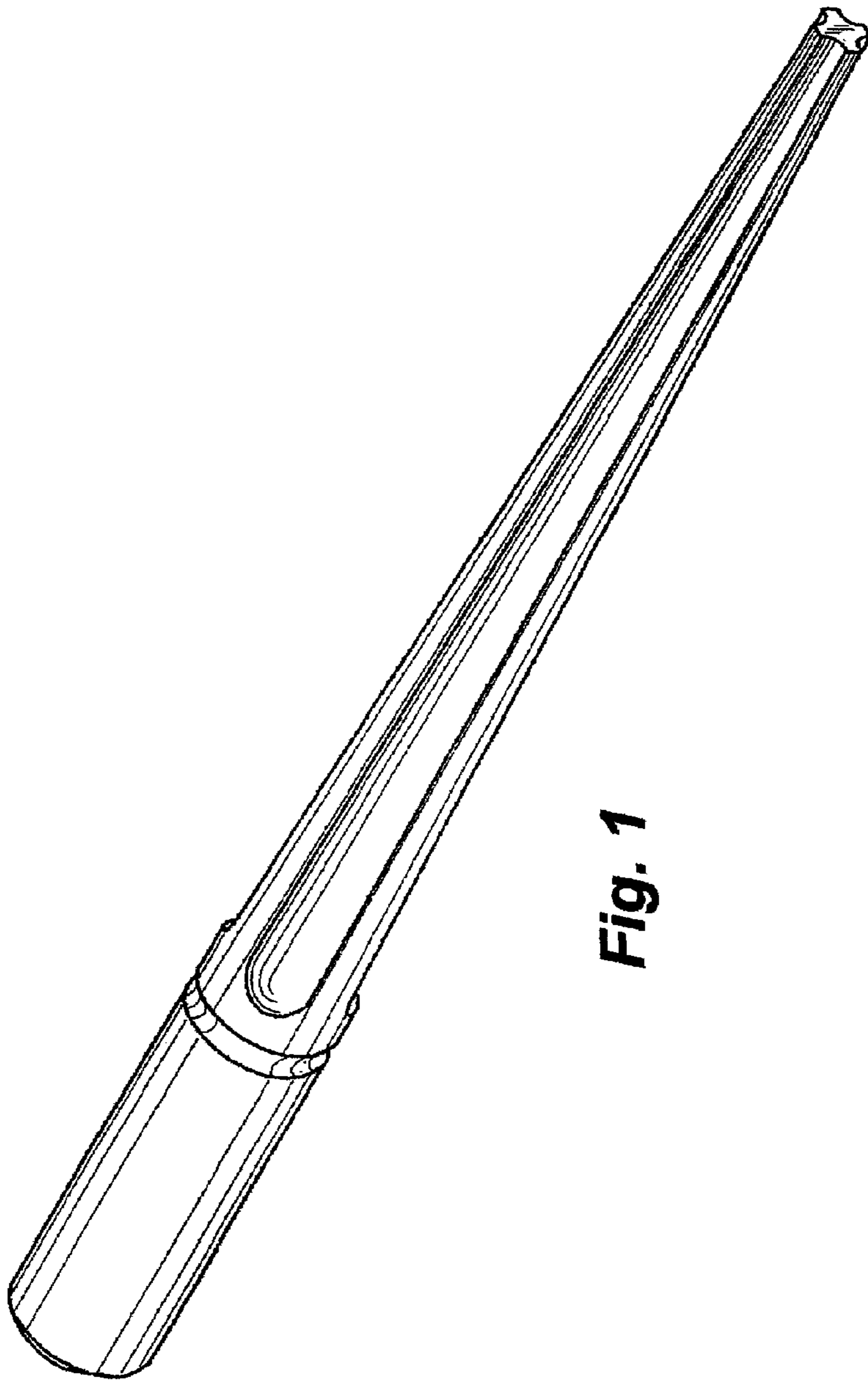
FIG. 11 is a rear elevation view of the ring mandrel of FIG. 7; and,

FIG. 12 is a front elevation view of the ring mandrel of FIG. 7.

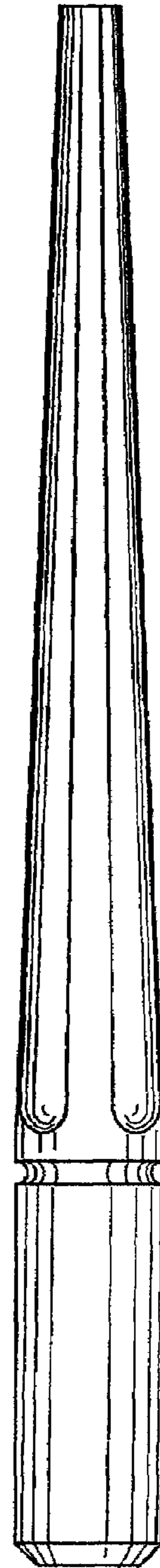
The bottom view of the ring mandrel of FIG. 7 is a mirror image of the top view of the ring mandrel shown in FIG. 8.

**1 Claim, 4 Drawing Sheets**

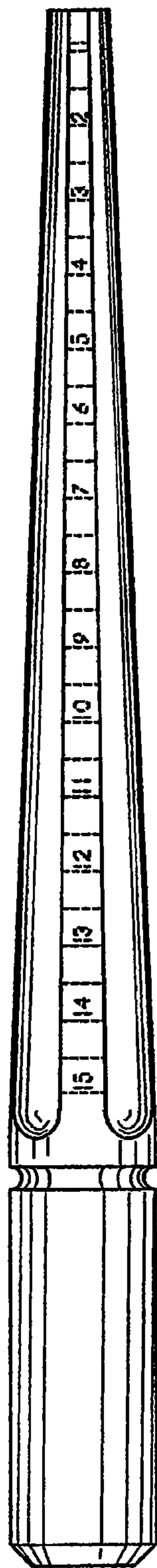




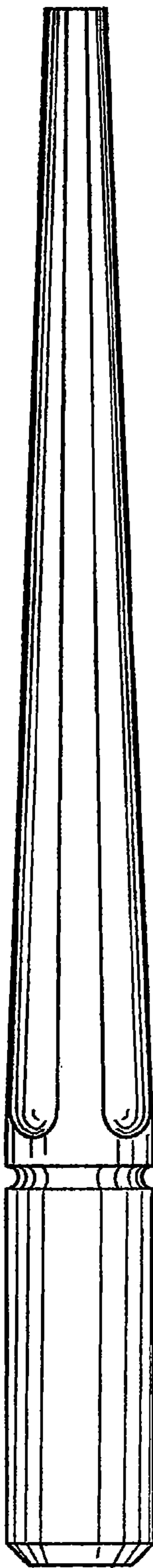
**Fig. 1**



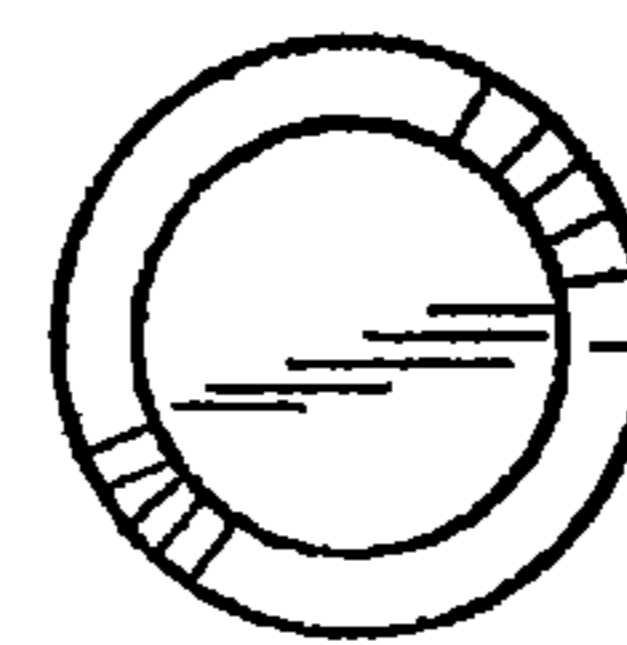
**Fig. 2**



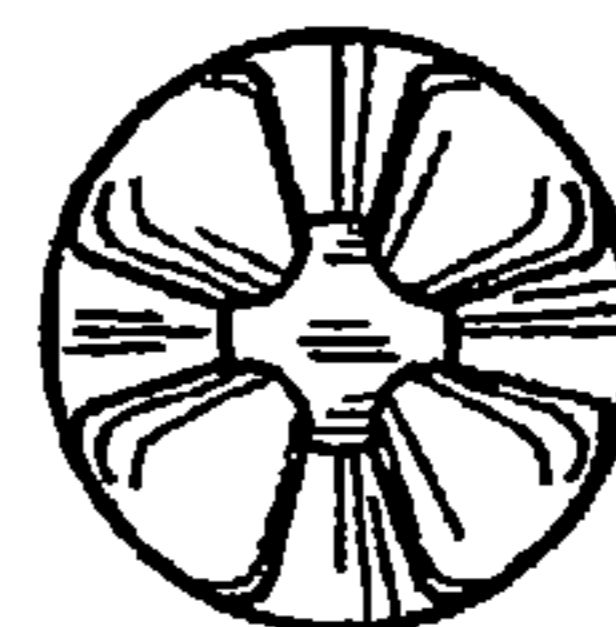
**Fig. 3**



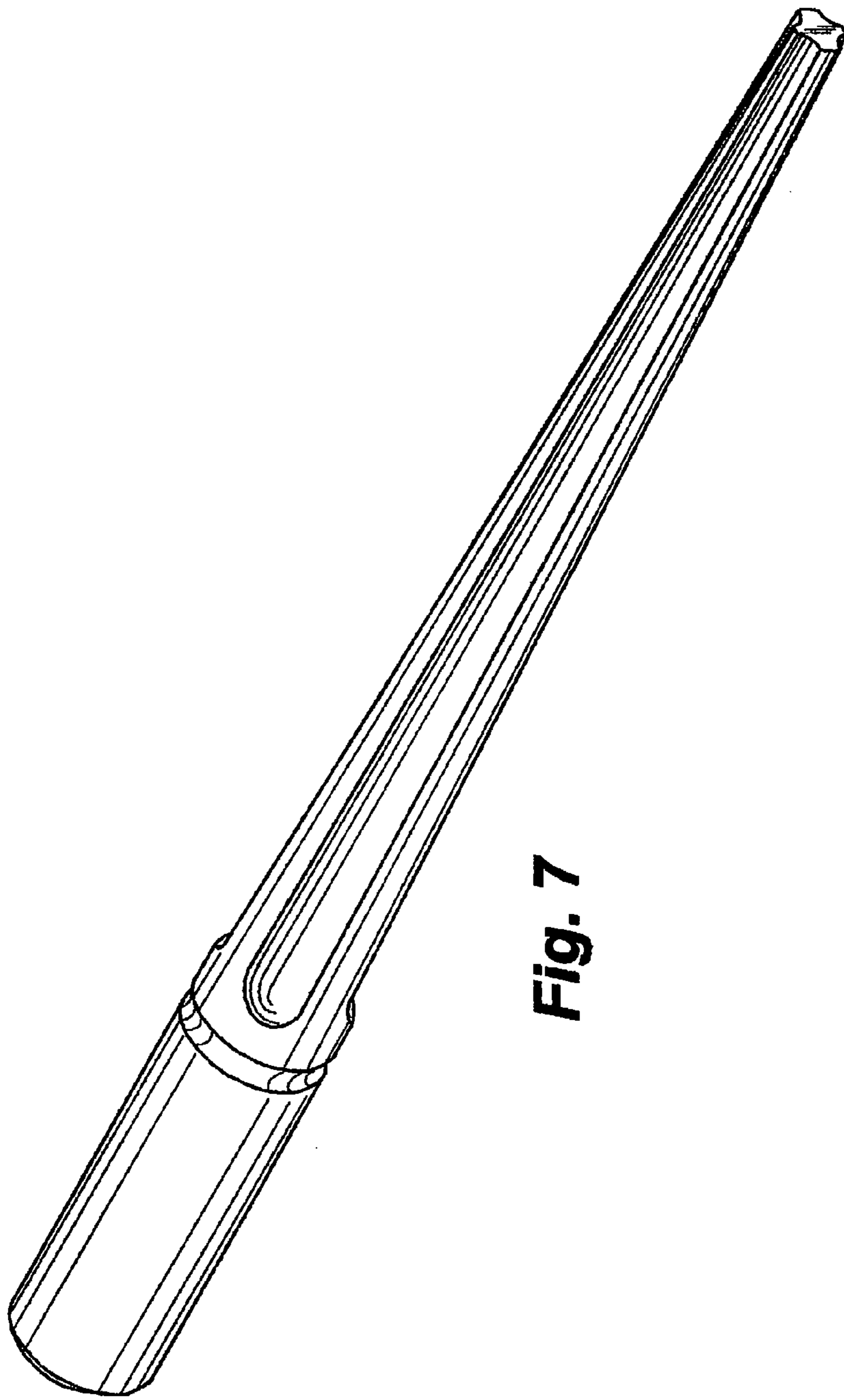
**Fig. 4**



**Fig. 5**



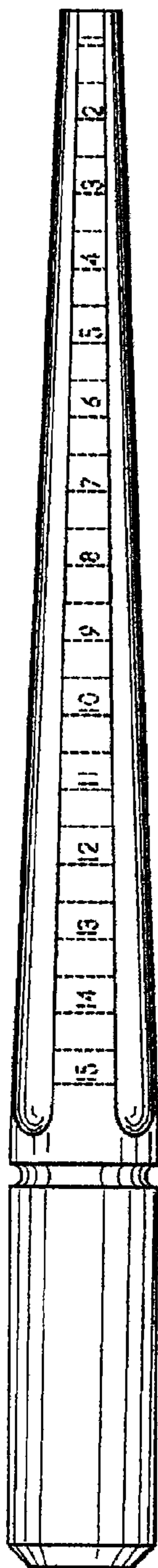
**Fig. 6**



**Fig. 7**



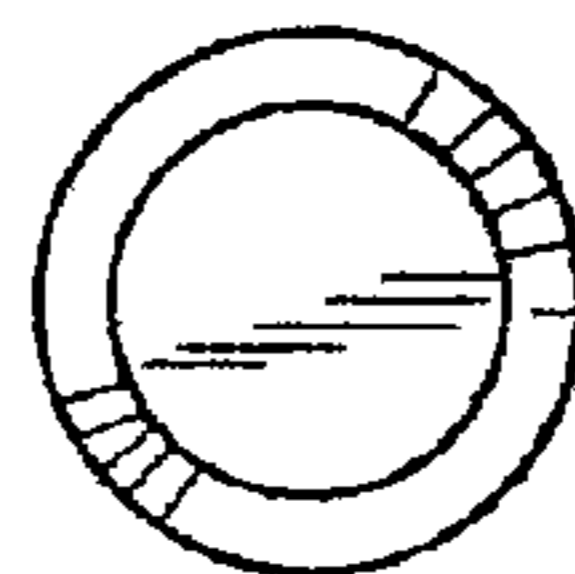
**Fig. 8**



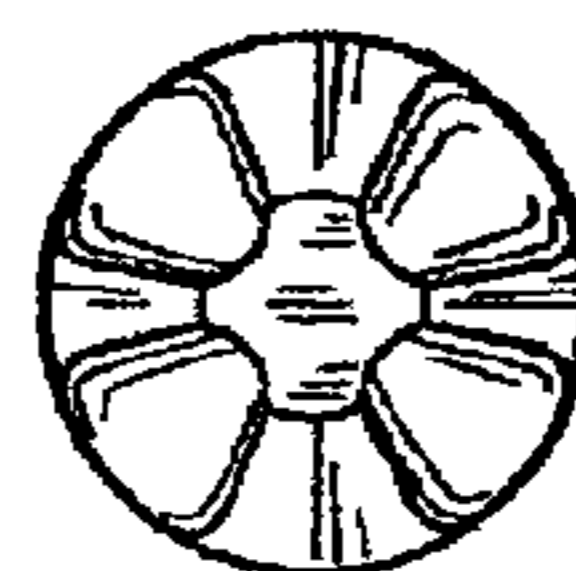
**Fig. 9**



**Fig. 10**



**Fig. 11**



**Fig. 12**