

US00D598777S

(12) **United States Design Patent**
Belke et al.

(10) **Patent No.:** **US D598,777 S**

(45) **Date of Patent:** **** Aug. 25, 2009**

(54) **BOTTLE**

(75) Inventors: **William R. Belke**, Doylestown, PA
(US); **Daniel A. Matauch**, Northville,
MI (US)

(73) Assignee: **Saxco International, Inc.**, Horsham, PA
(US)

(**) Term: **14 Years**

(21) Appl. No.: **29/330,600**

(22) Filed: **Jan. 9, 2009**

(51) **LOC (9) Cl.** **09-01**

(52) **U.S. Cl.** **D9/546; D9/544**

(58) **Field of Classification Search** D9/516,
D9/520, 544, 545, 546, 549, 556, 558, 569,
D9/571, 574; 215/381-385

See application file for complete search history.

(56) **References Cited**

U.S. PATENT DOCUMENTS

D23,174 S *	4/1894	Lloyd	D9/544
D31,126 S *	7/1899	Henius	D9/546
D39,215 S *	3/1908	Garrett	D9/560
D42,516 S *	5/1912	Palmer	D9/543
D233,738 S *	11/1974	Latorre	D9/538
D387,668 S *	12/1997	Bond	D9/520
D391,494 S *	3/1998	Bond	D9/546
D436,852 S *	1/2001	Chan	D9/738
D460,697 S *	7/2002	Del Bon	D9/565

D545,205 S *	6/2007	Rica	D9/544
D548,098 S *	8/2007	Lauret	D9/544
D555,488 S *	11/2007	Marton	D9/544
D561,039 S *	2/2008	Del Bon	D9/544
D561,041 S *	2/2008	Sajous et al.	D9/549
D564,892 S *	3/2008	di Robilant et al.	D9/546
D580,771 S *	11/2008	Rica	D9/560
D583,247 S *	12/2008	DeFina	D9/546

* cited by examiner

Primary Examiner—Stella M Reid

Assistant Examiner—Elizabeth J Oswecki

(74) *Attorney, Agent, or Firm*—Ballard Spahr Andrews &
Ingersoll, LLP

(57) **CLAIM**

The ornamental design for a bottle, as shown and described.

DESCRIPTION

FIG. 1 is a top perspective view of a bottle showing our new design;

FIG. 2 is a front elevational view thereof, the rear elevational view being a mirror image;

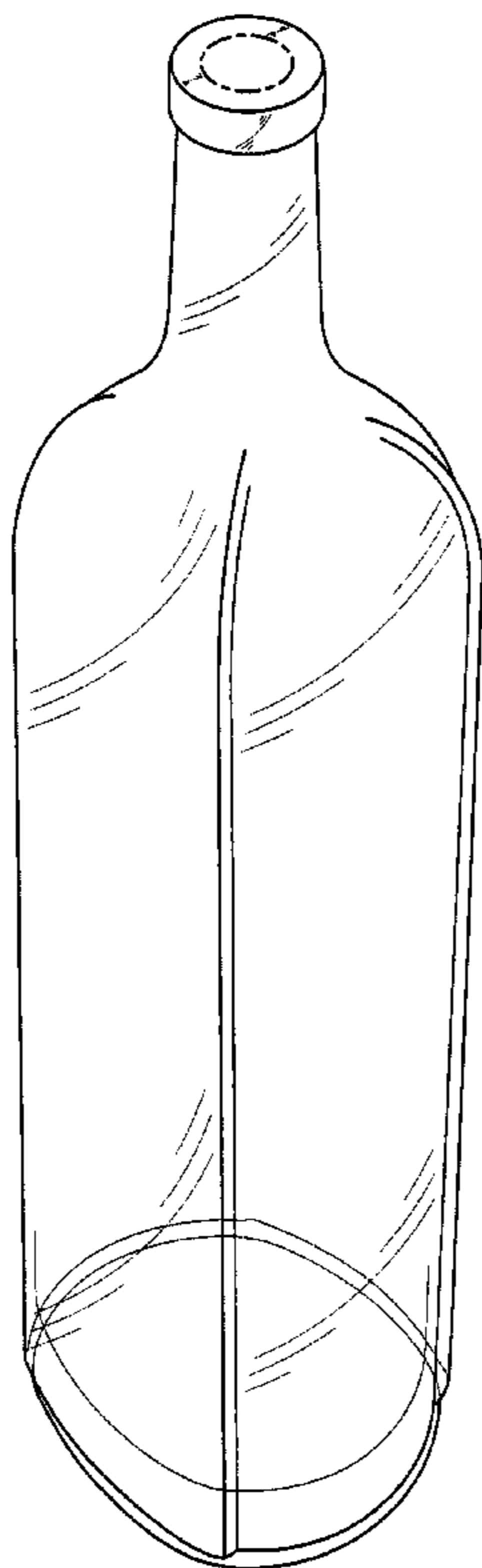
FIG. 3 is a right side elevational view thereof, the left side elevational view being a mirror image;

FIG. 4 is a top plan view thereof; and,

FIG. 5 is a bottom plan view thereof.

The broken lines shown are for illustrative purposes only and form no part of the claimed design.

1 Claim, 4 Drawing Sheets



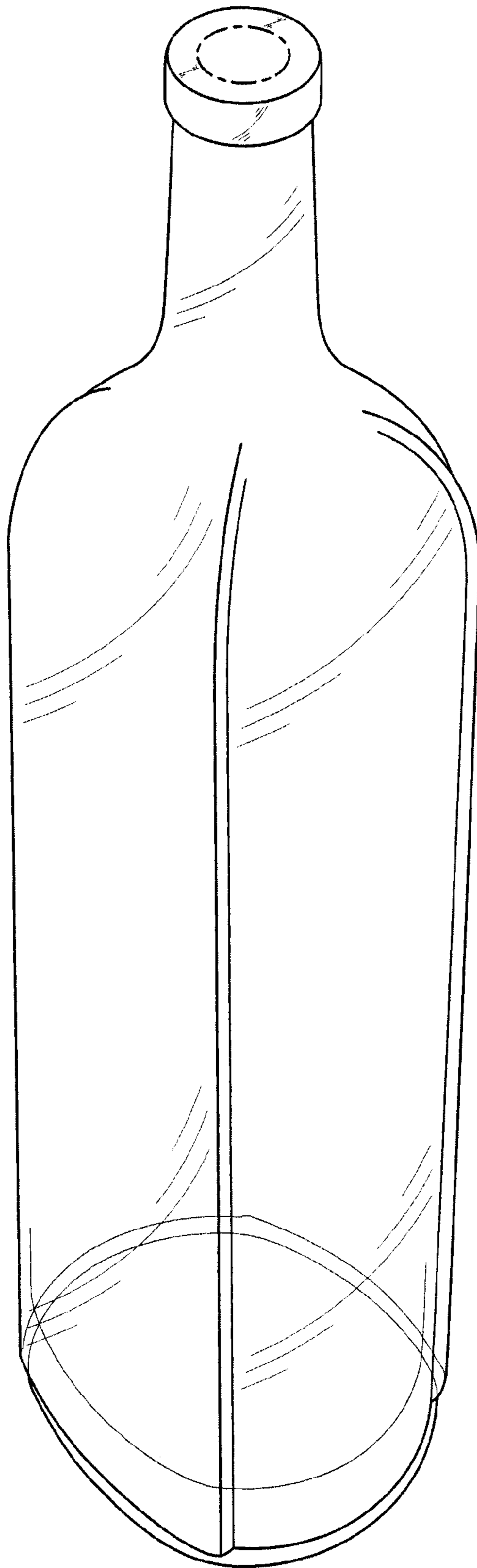


FIG. 1

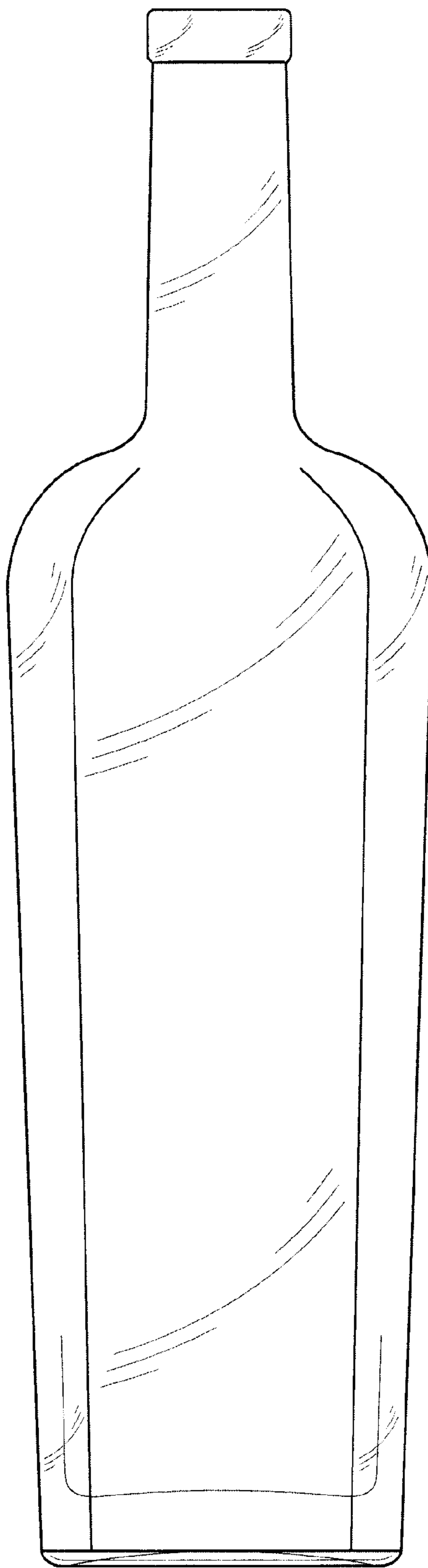


FIG. 2

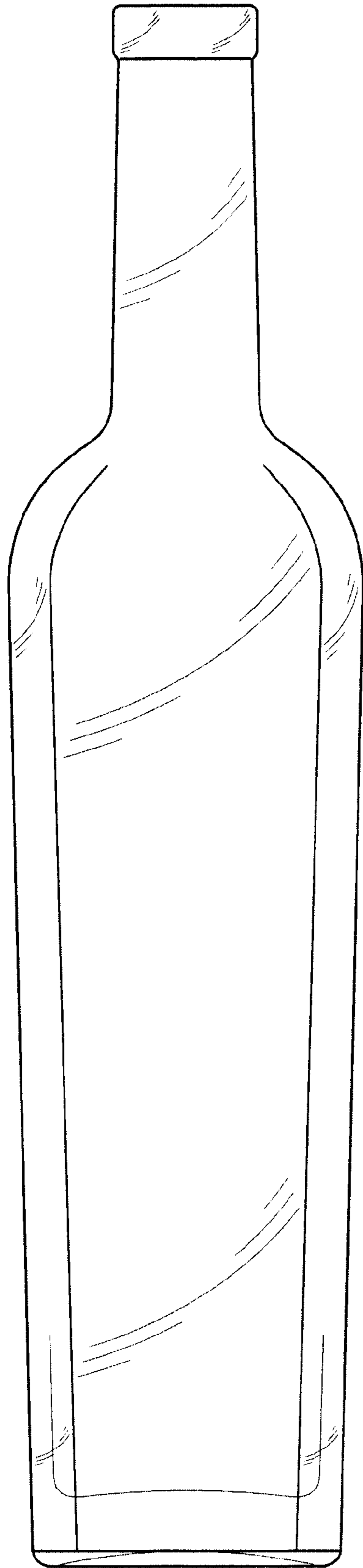


FIG. 3

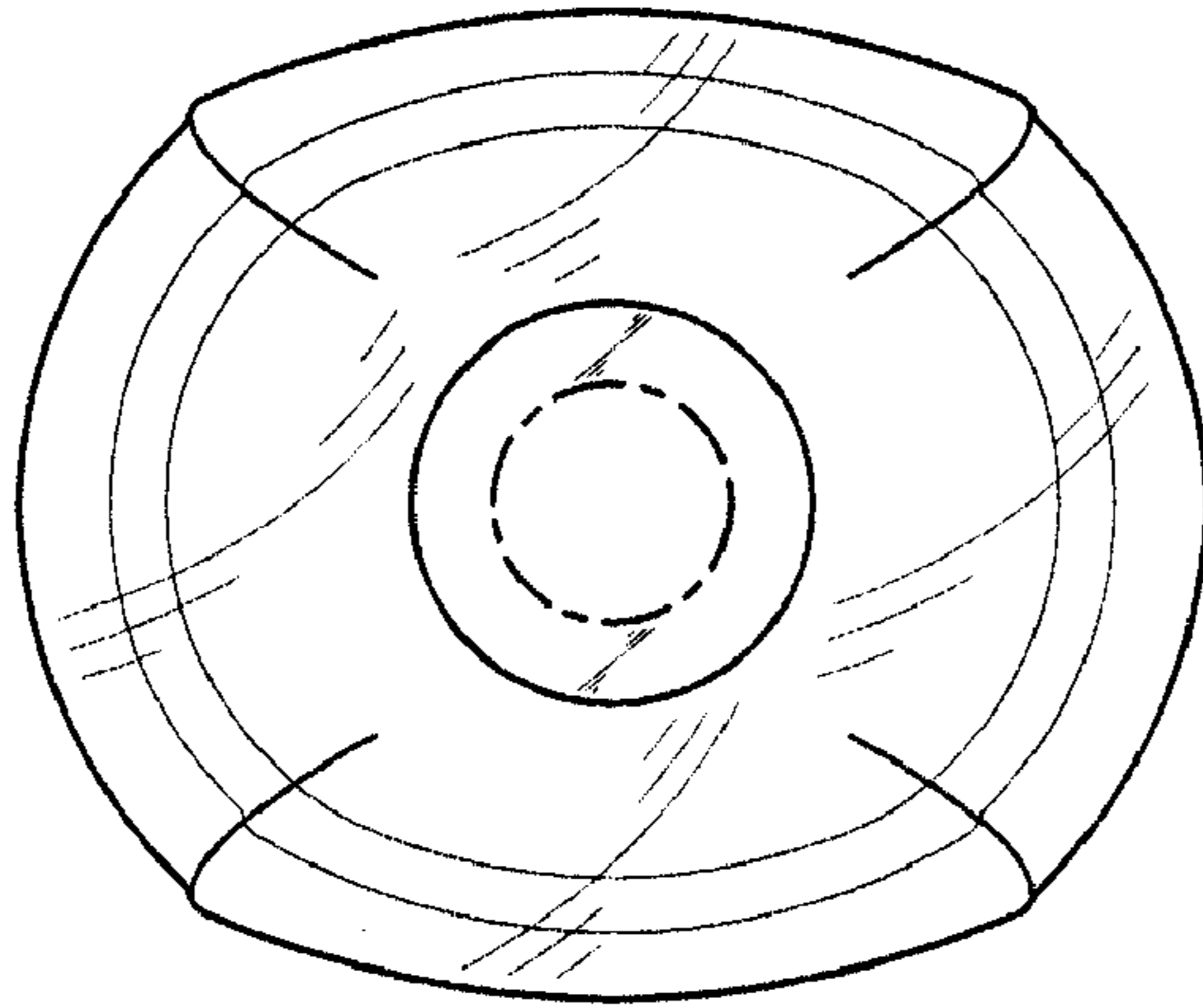


FIG. 4

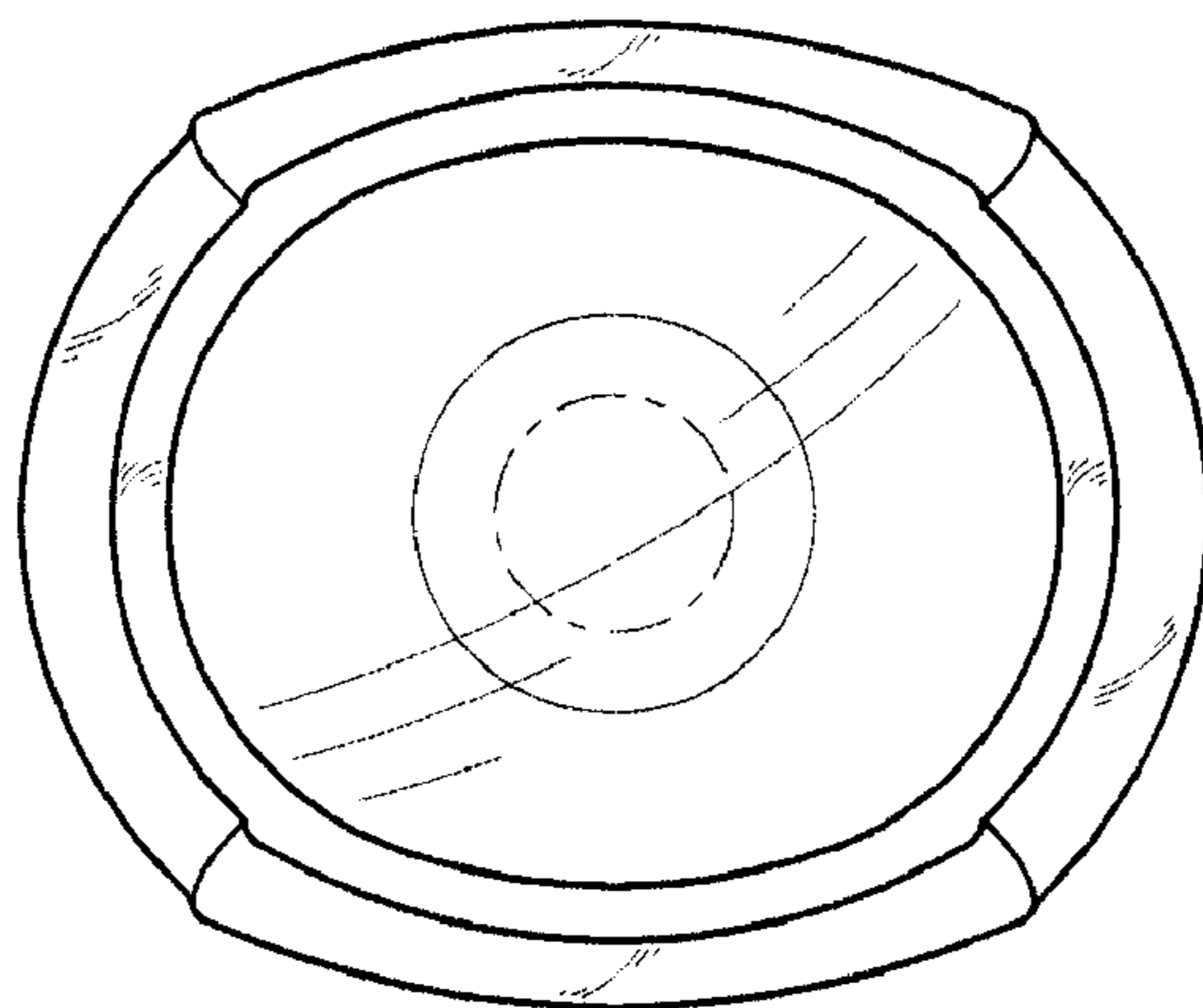


FIG. 5