



US00D598771S

(12) **United States Design Patent**
Kissinger et al.

(10) **Patent No.:** **US D598,771 S**

(45) **Date of Patent:** **** Aug. 25, 2009**

(54) **PLASTIC CONTAINER**

(75) Inventors: **Jeffrey Kissinger**, Wadsworth, OH (US);
Ryan A. Burson, Elyria, OH (US);
Christopher E. Kaminski, Northfield
Center, OH (US); **James J. Miller**,
Barberton, OH (US)

(73) Assignee: **Plastipak Packaging, Inc.**, Plymouth,
MI (US)

(**) Term: **14 Years**

(21) Appl. No.: **29/334,482**

(22) Filed: **Mar. 27, 2009**

Related U.S. Application Data

(62) Division of application No. 29/292,595, filed on Oct.
18, 2007, now Pat. No. Des. 592,964.

(51) **LOC (9) Cl.** **09-01**

(52) **U.S. Cl.** **D9/540; D9/570**

(58) **Field of Classification Search** D9/516,
D9/528, 530, 531, 534, 537-539, 541-543,
D9/549, 551-560, 563, 654, 566-571; 215/12.1-12.2,
215/13.1, 381-385, 396-398

See application file for complete search history.

(56) **References Cited**

U.S. PATENT DOCUMENTS

D382,485 S *	8/1997	Krishnakumar et al.	D9/570
D423,936 S *	5/2000	Smith et al.	D9/540
D424,446 S *	5/2000	Silvers et al.	D9/540
D425,425 S *	5/2000	Silvers et al.	D9/540
D429,164 S *	8/2000	Peek et al.	D9/540
D443,521 S *	6/2001	Bansal et al.	D9/570
D444,069 S *	6/2001	Bansal et al.	D9/543
D444,070 S *	6/2001	Bansal et al.	D9/570
D444,391 S *	7/2001	Bansal et al.	D9/543
D448,303 S *	9/2001	Cheng et al.	D9/570
D486,071 S *	2/2004	Deubel et al.	D9/540
D496,281 S *	9/2004	Trude	D9/540
D505,077 S *	5/2005	Piccioli et al.	D9/540
D522,371 S *	6/2006	Livingston	D9/538
D551,080 S *	9/2007	Pedmo et al.	D9/516

D583,246 S *	12/2008	Kaminski	D9/543
D592,964 S *	5/2009	Kissinger et al.	D9/540

* cited by examiner

Primary Examiner—Prabhakar Deshmukh

Assistant Examiner—Keli L Hill

(74) *Attorney, Agent, or Firm*—Dykema Gossett PLLC

(57) **CLAIM**

The ornamental design for a plastic container, as shown and described.

DESCRIPTION

FIG. 1 is a perspective view of the plastic container of the present invention showing the top, front and right side;

FIG. 2 is a perspective view thereof showing the bottom, rear and right side;

FIG. 3 is a front elevation view thereof;

FIG. 4 is a rear elevation view thereof;

FIG. 5 is a right side elevation view thereof;

FIG. 6 is a left side elevation view thereof;

FIG. 7 is a top plan view thereof;

FIG. 8 is a bottom plan view thereof;

FIG. 9 is a perspective view of a second embodiment of the plastic container of the present invention showing the top, front and right side;

FIG. 10 is a perspective view thereof showing the bottom, rear and right side;

FIG. 11 is a front elevation view thereof;

FIG. 12 is a rear elevation view thereof;

FIG. 13 is a right side elevation view thereof;

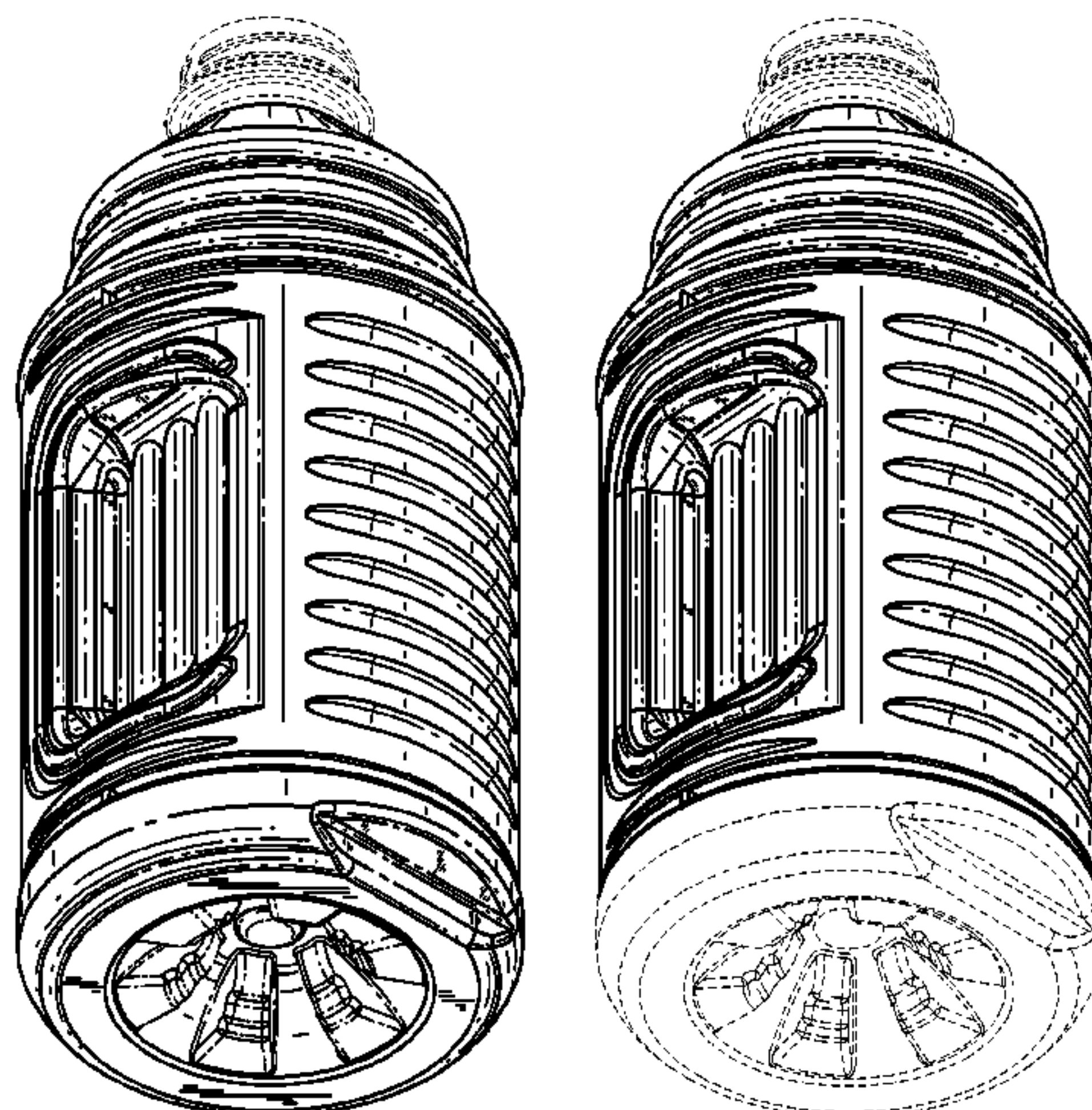
FIG. 14 is a left side elevation view thereof;

FIG. 15 is a top plan view thereof; and,

FIG. 16 is a bottom plan view thereof.

The broken lines shown in the drawings are for illustrative purposes only and form no part of the claimed design.

1 Claim, 6 Drawing Sheets



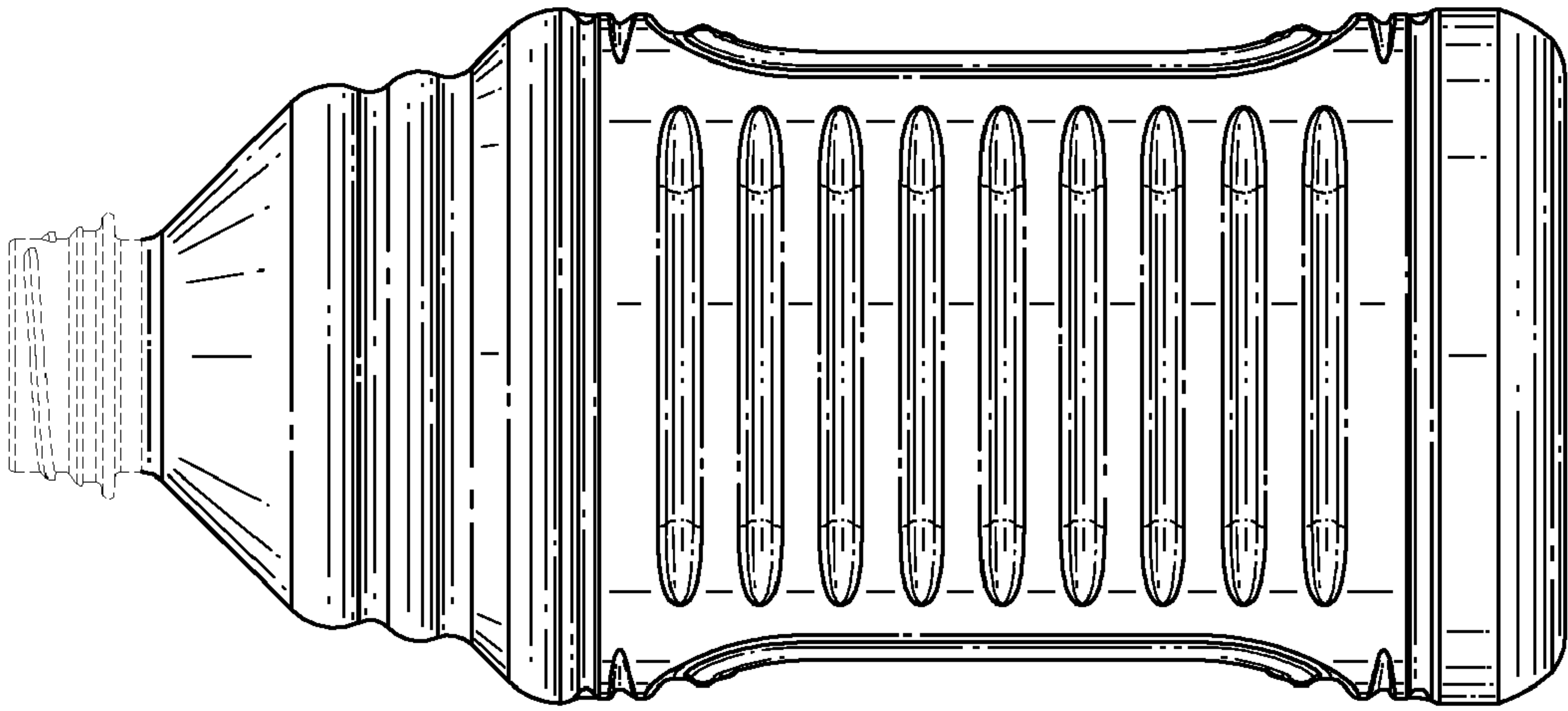


FIG. 3

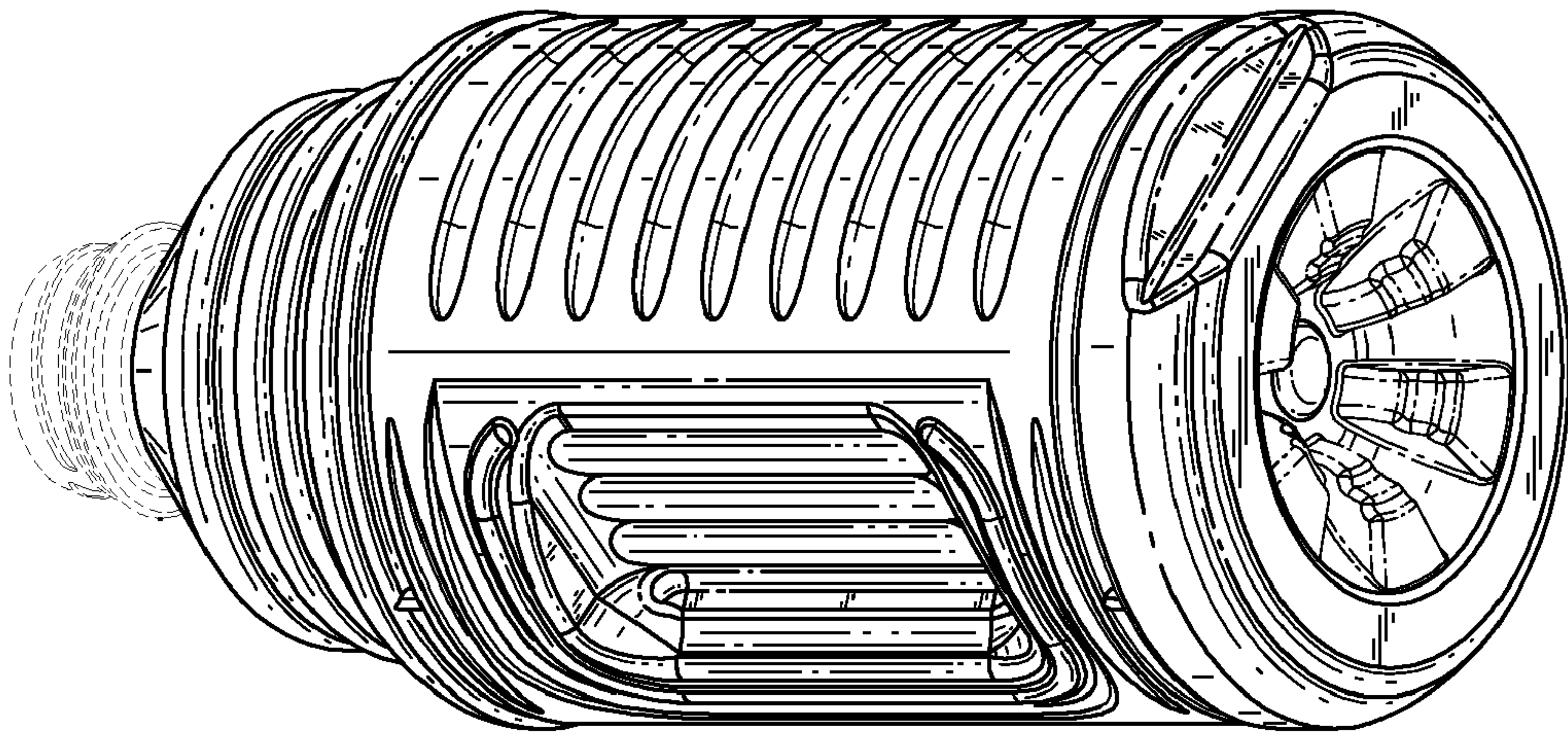


FIG. 2

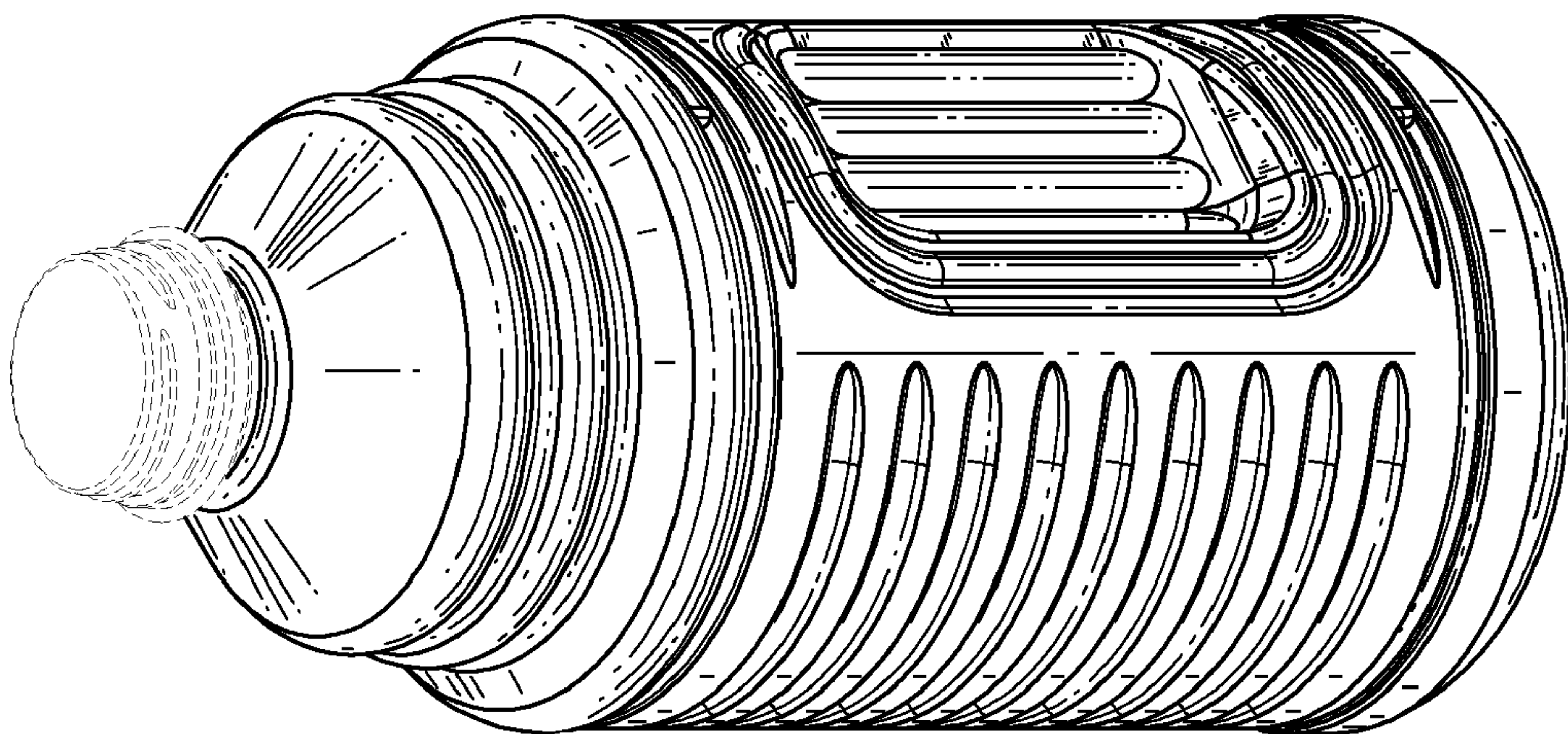


FIG. 1

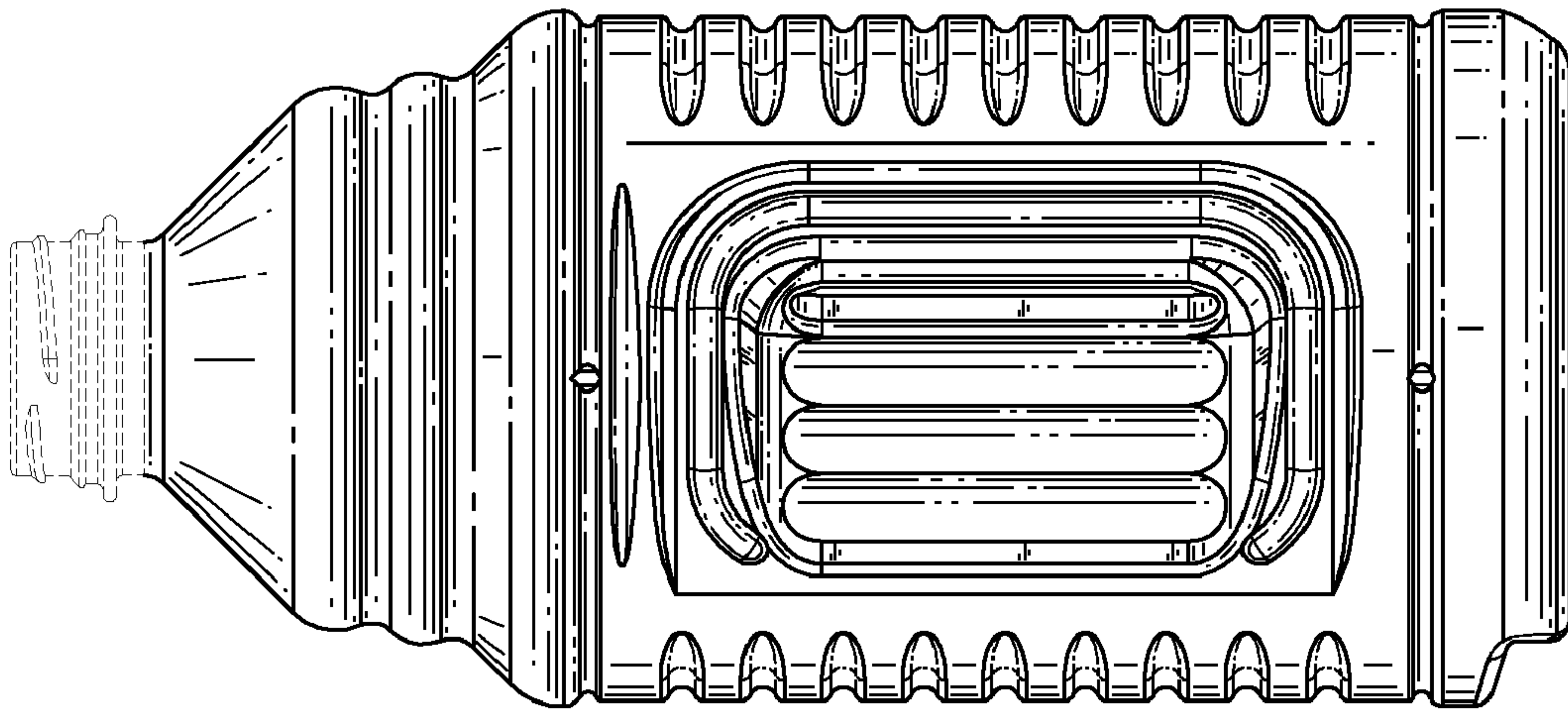


FIG. 6

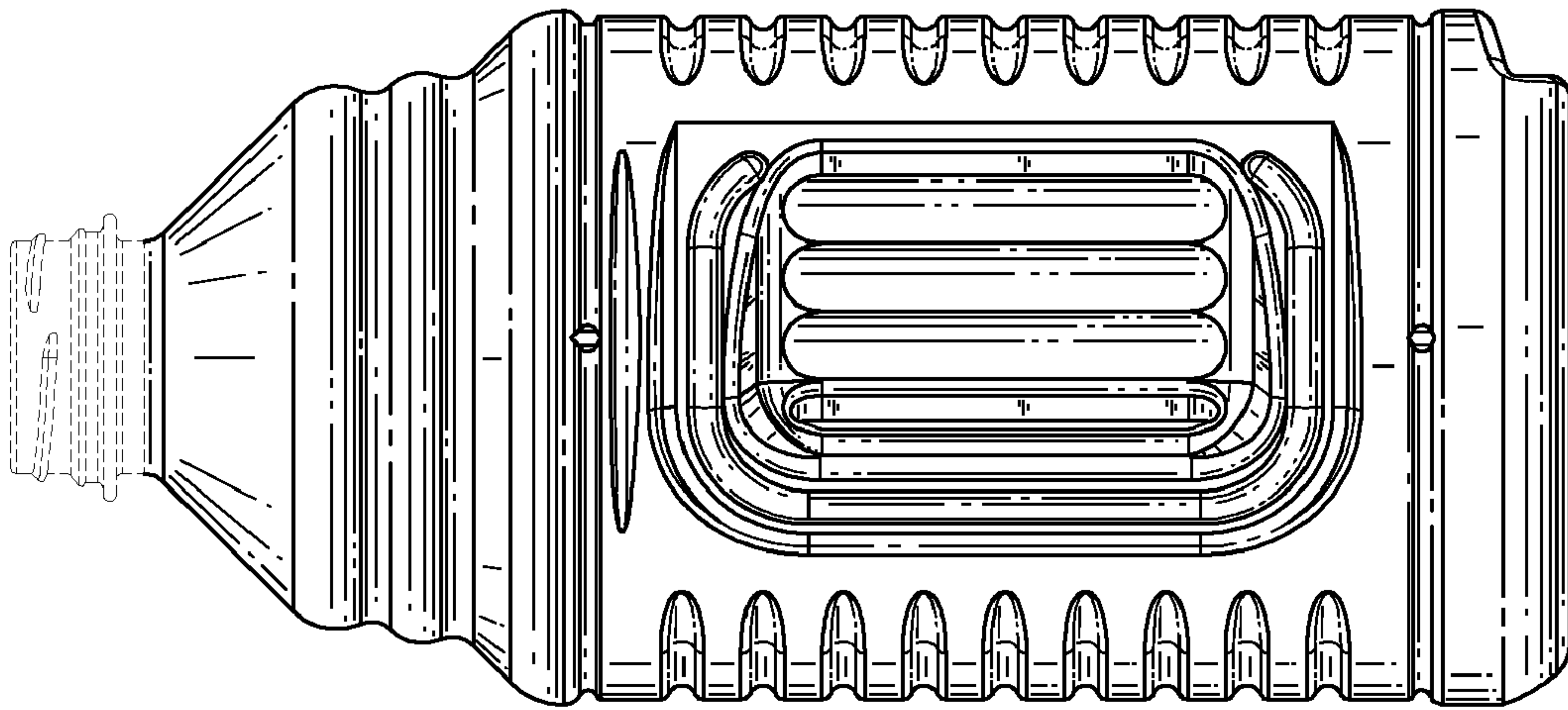


FIG. 5

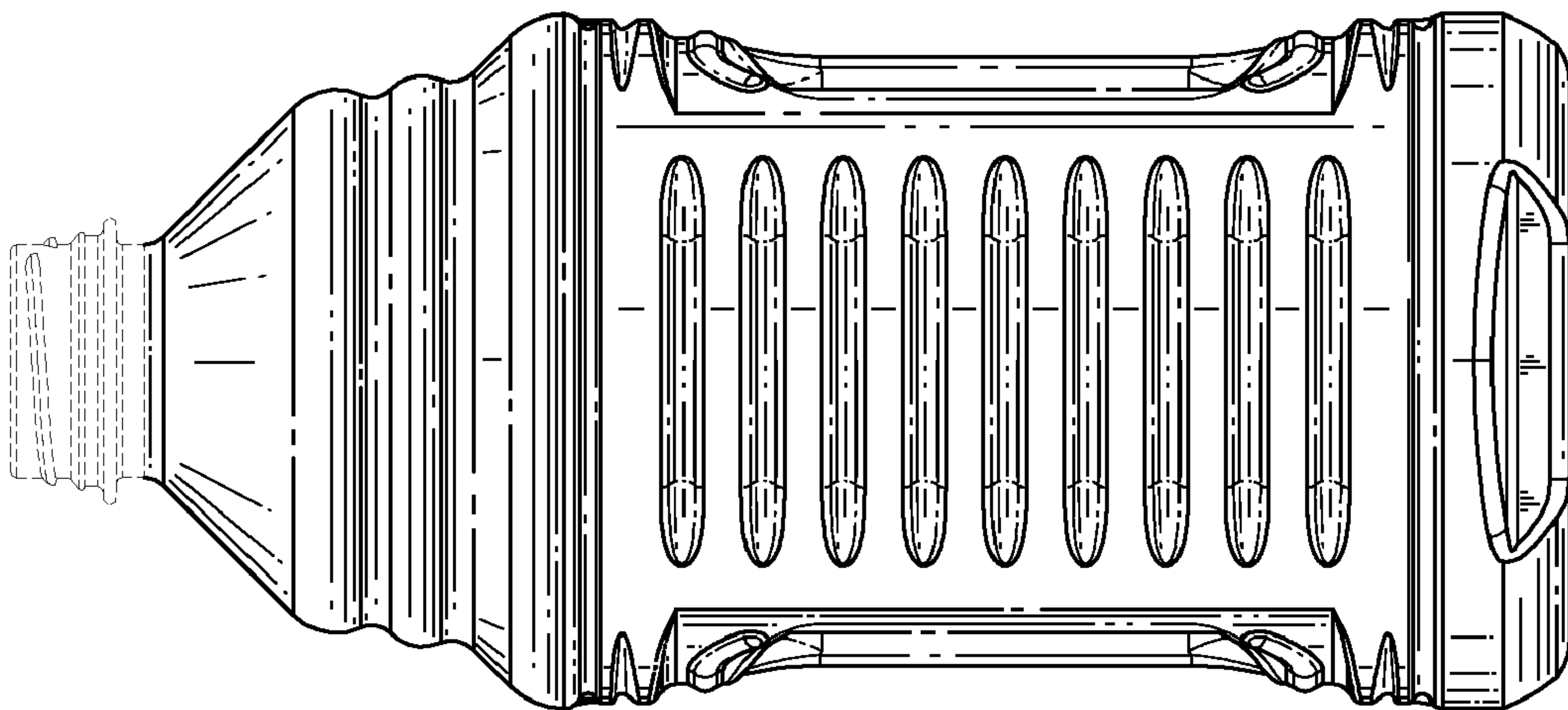


FIG. 4

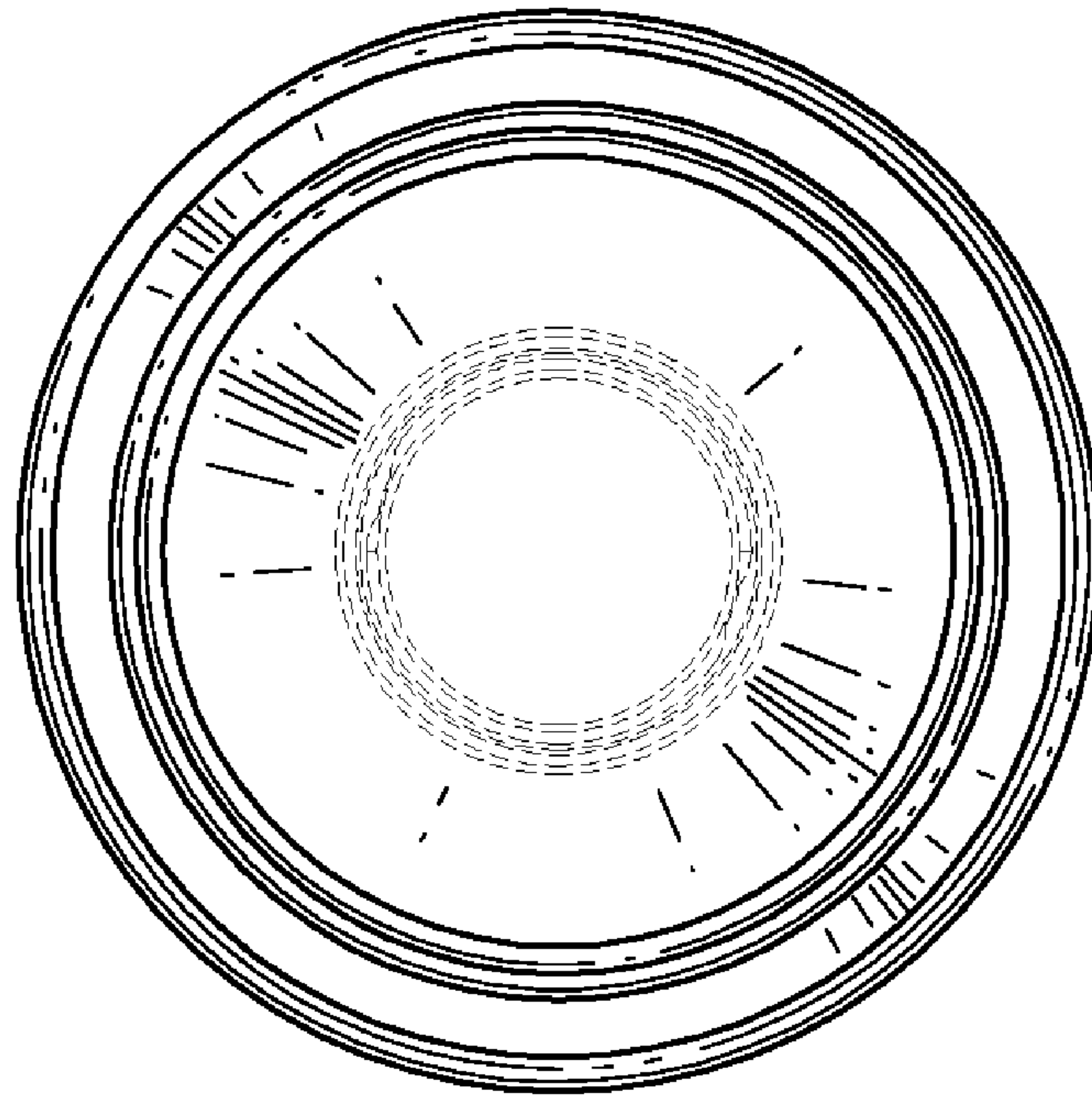


FIG. 7

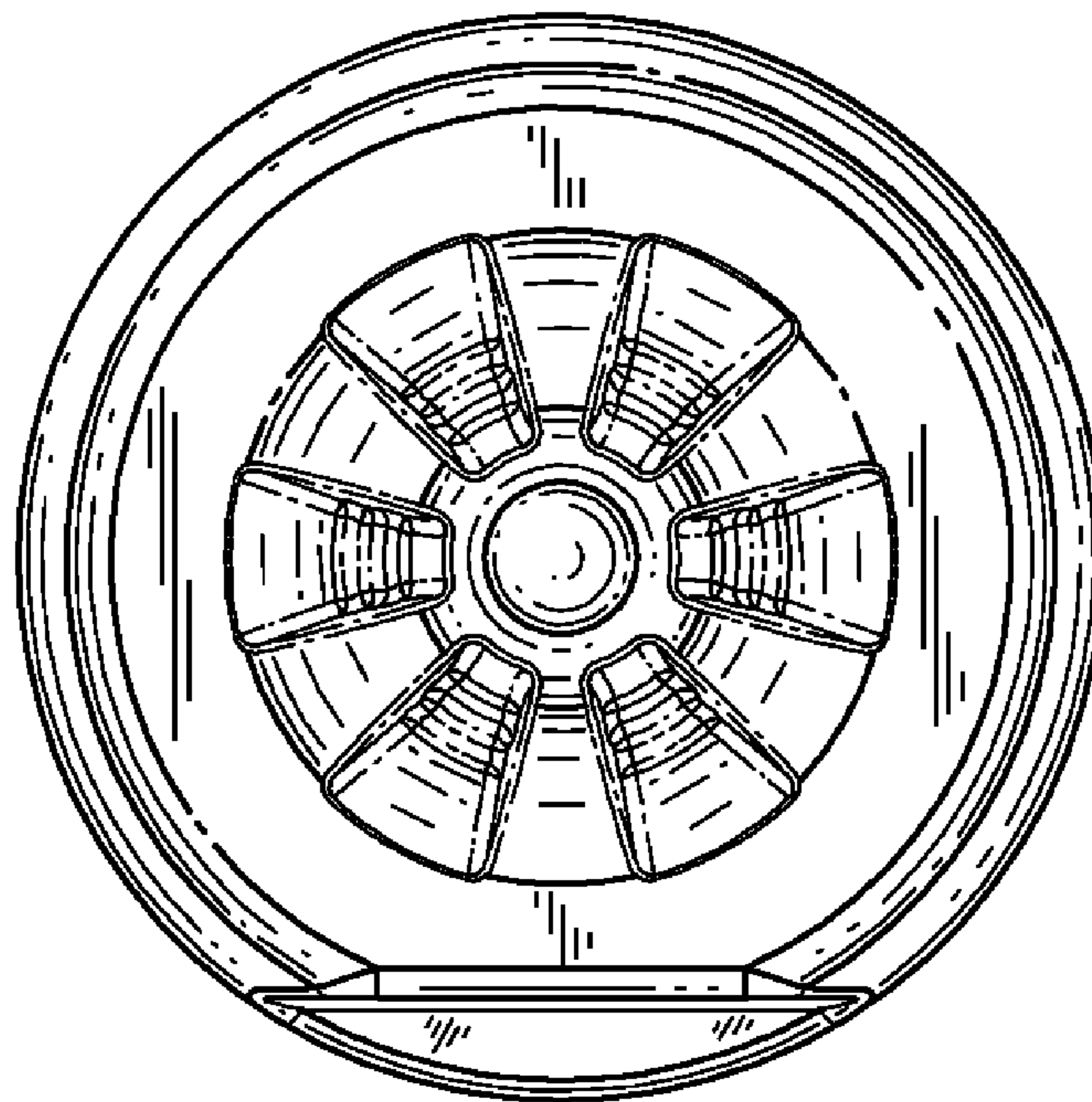


FIG. 8

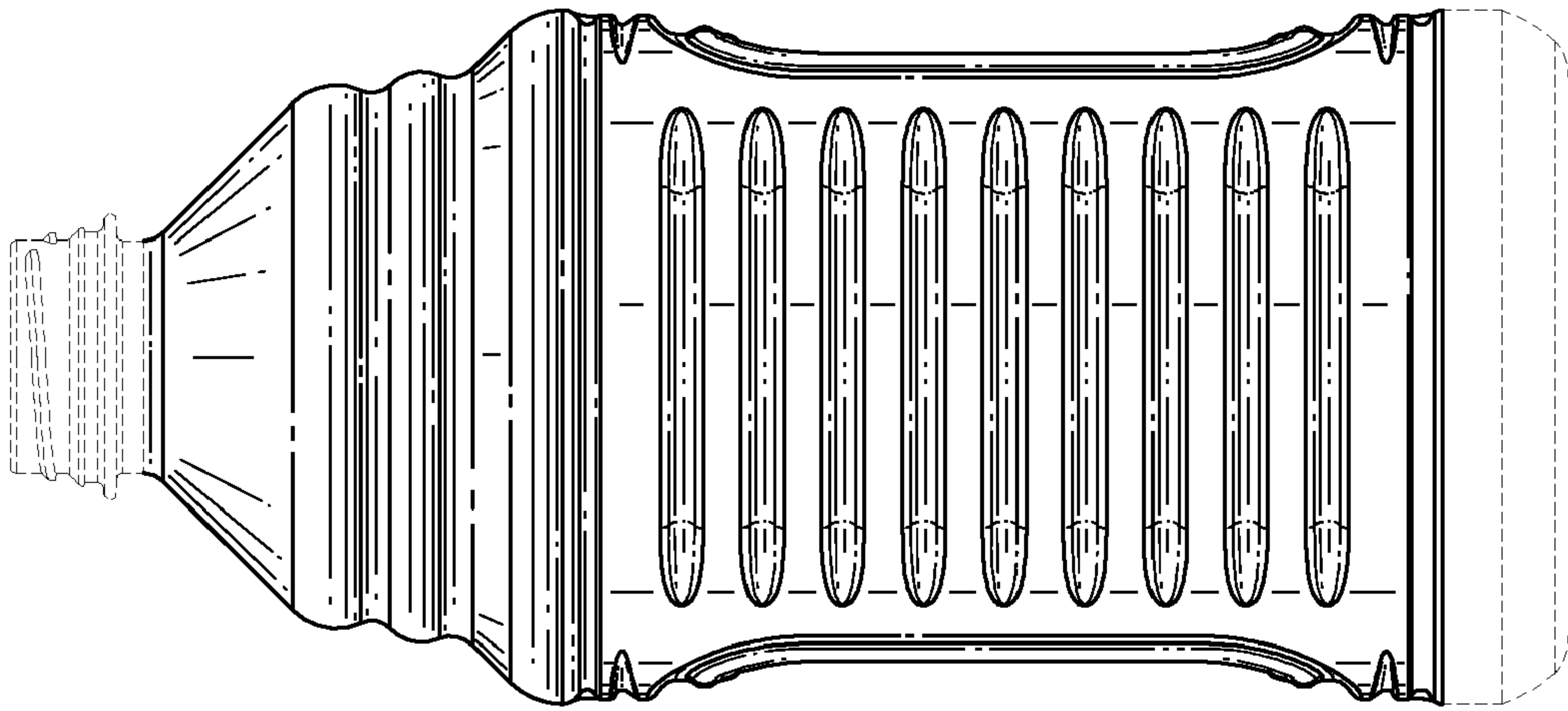


FIG. 11

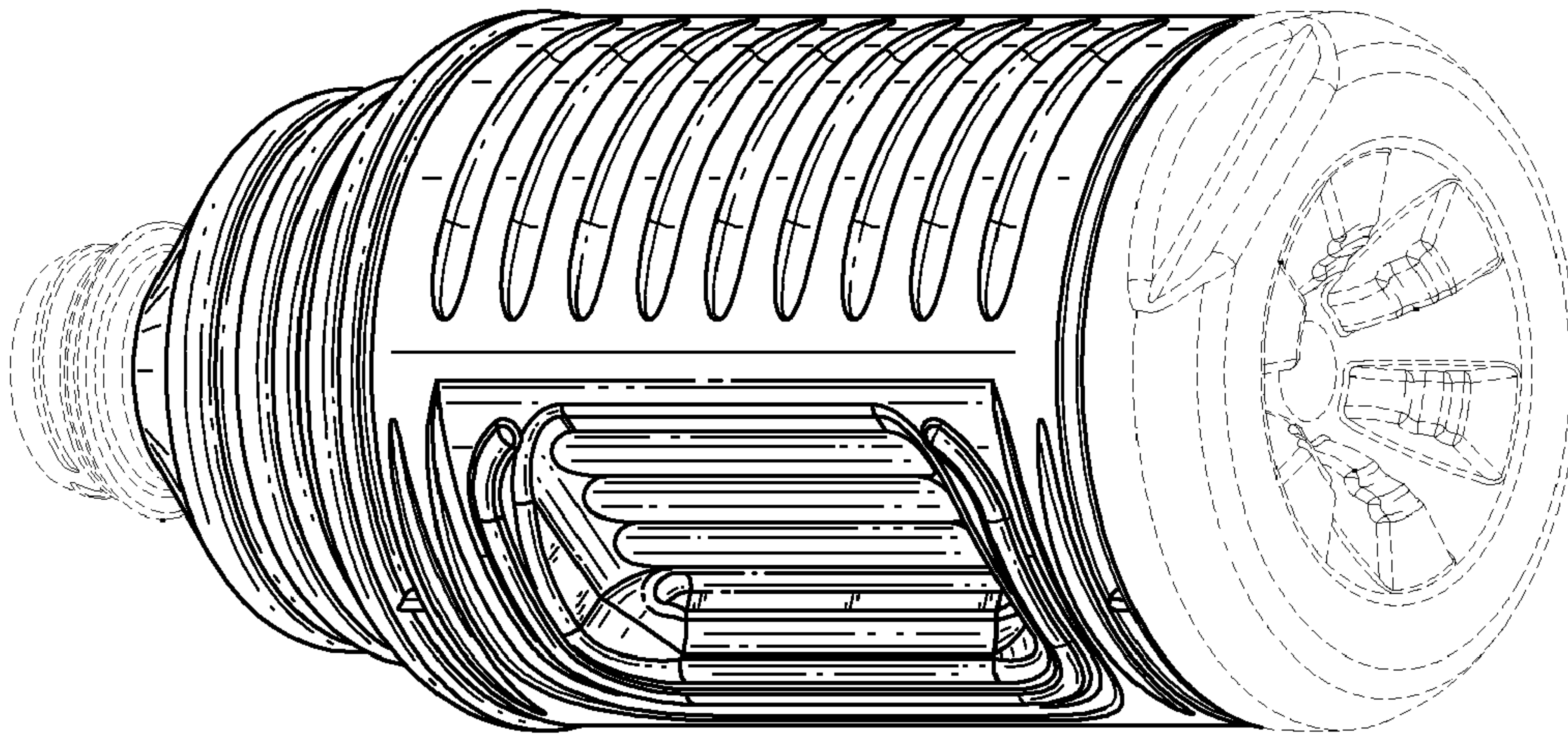


FIG. 10

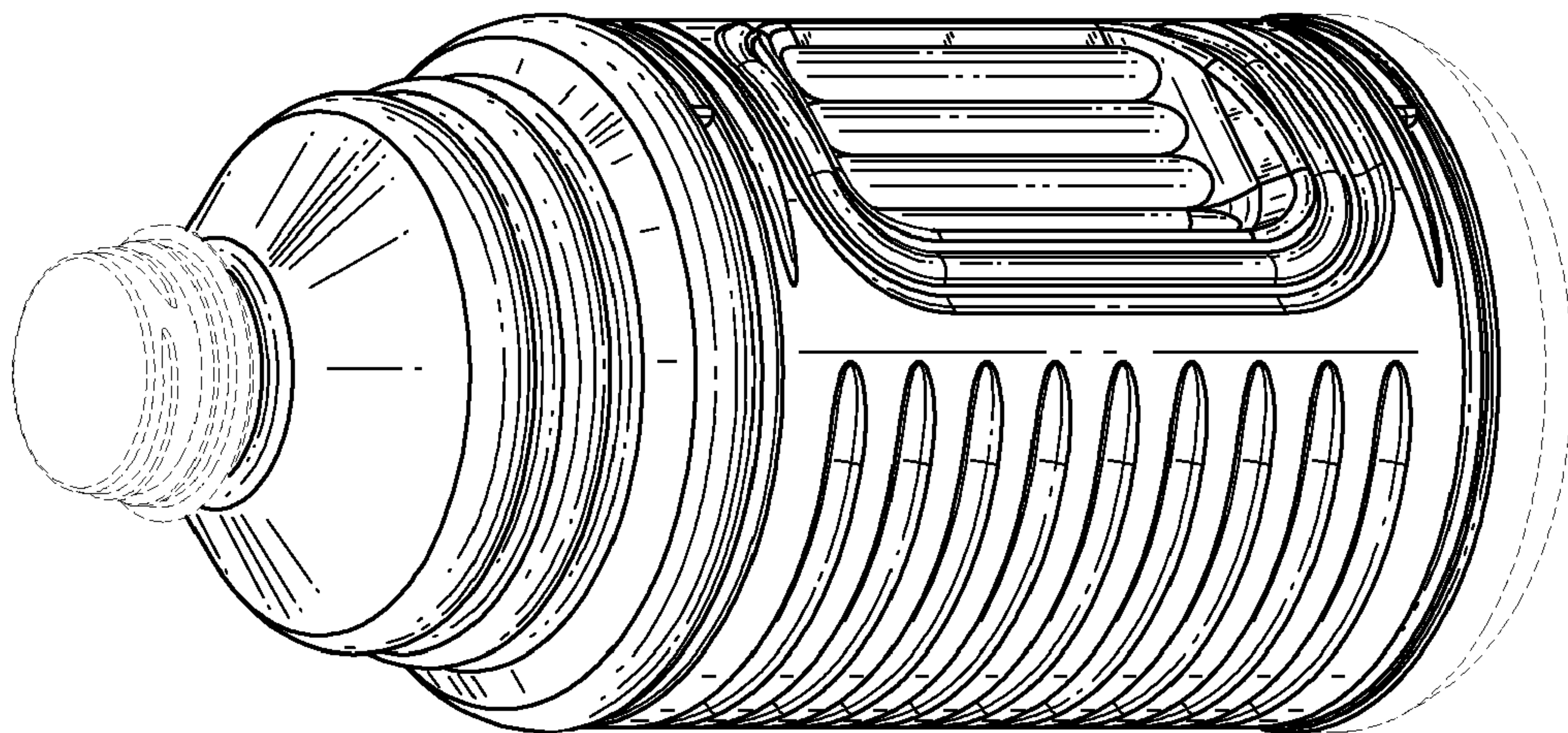


FIG. 9

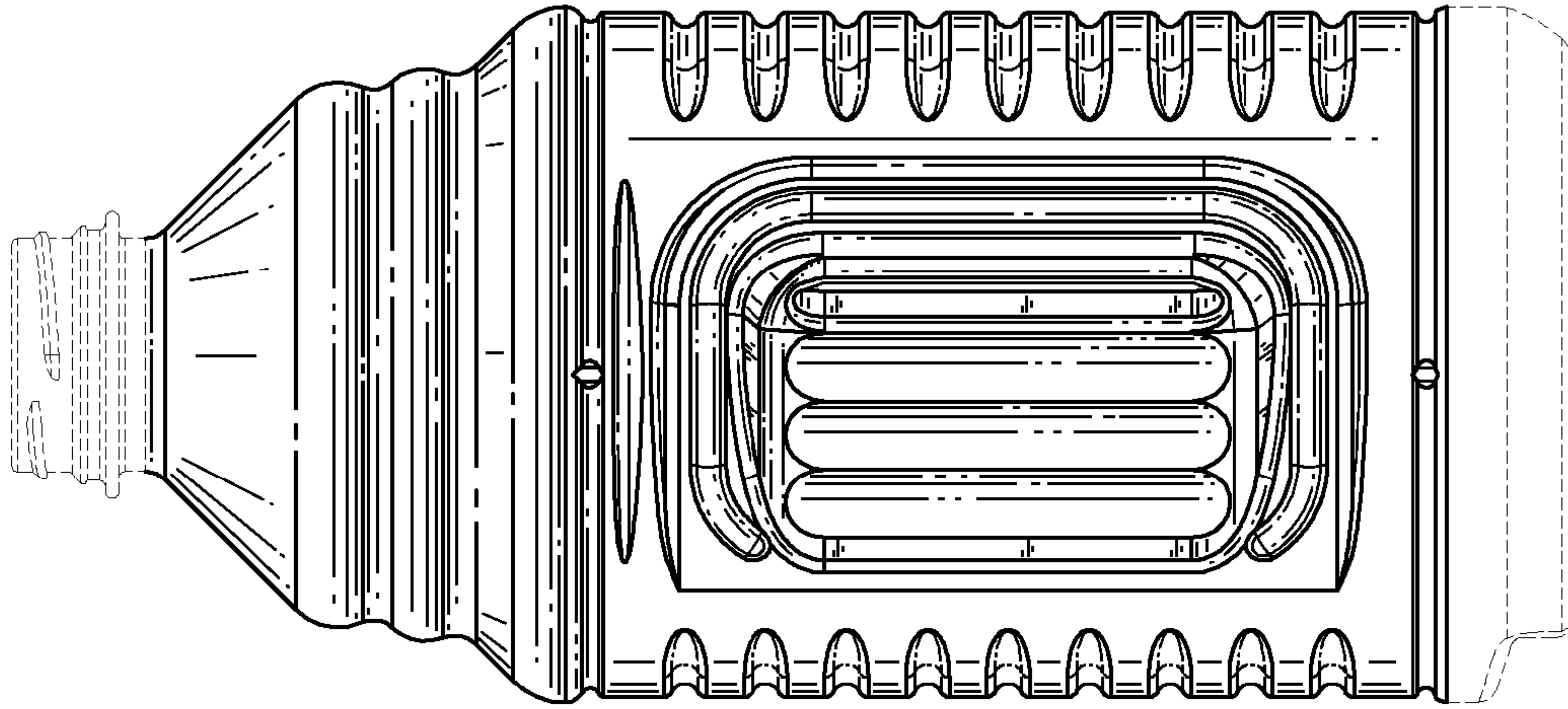


FIG. 14

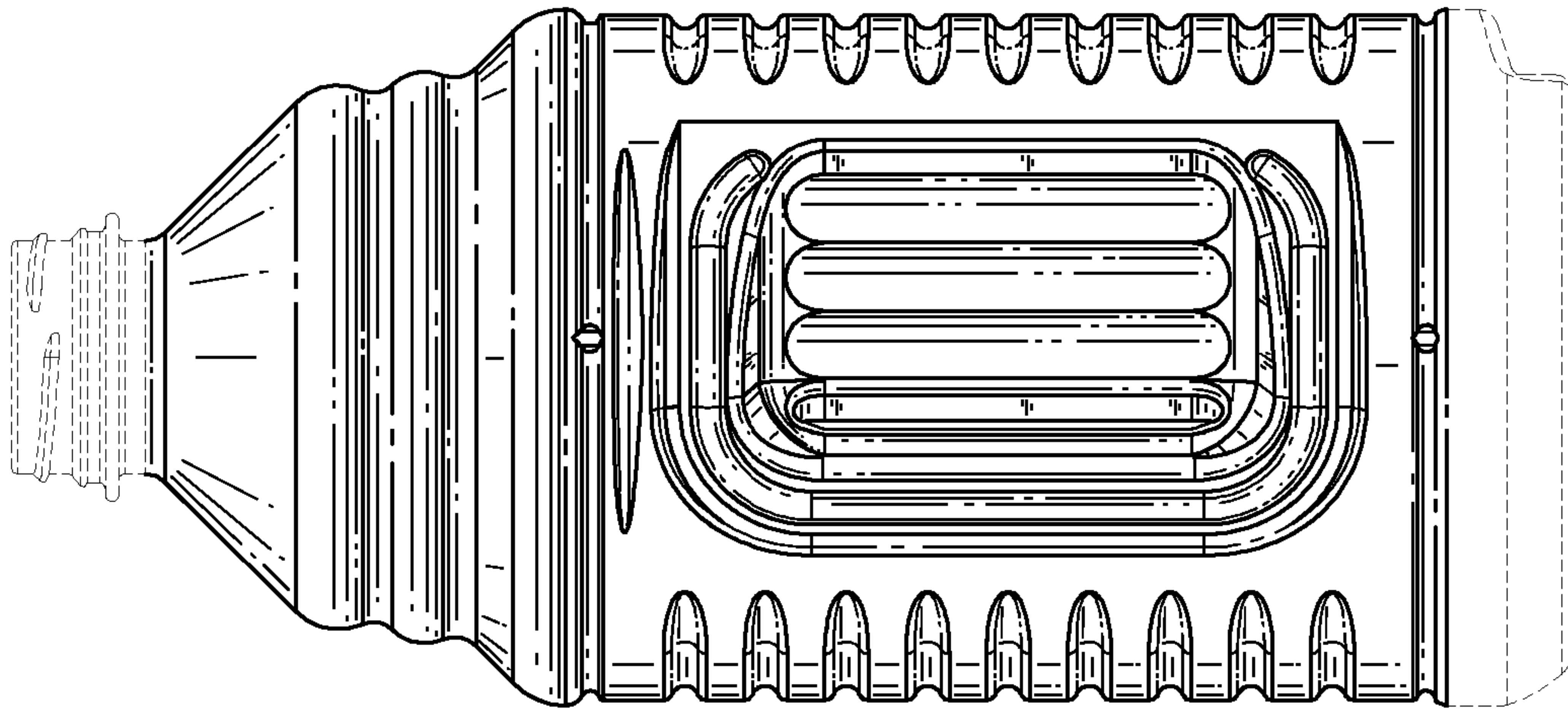


FIG. 13

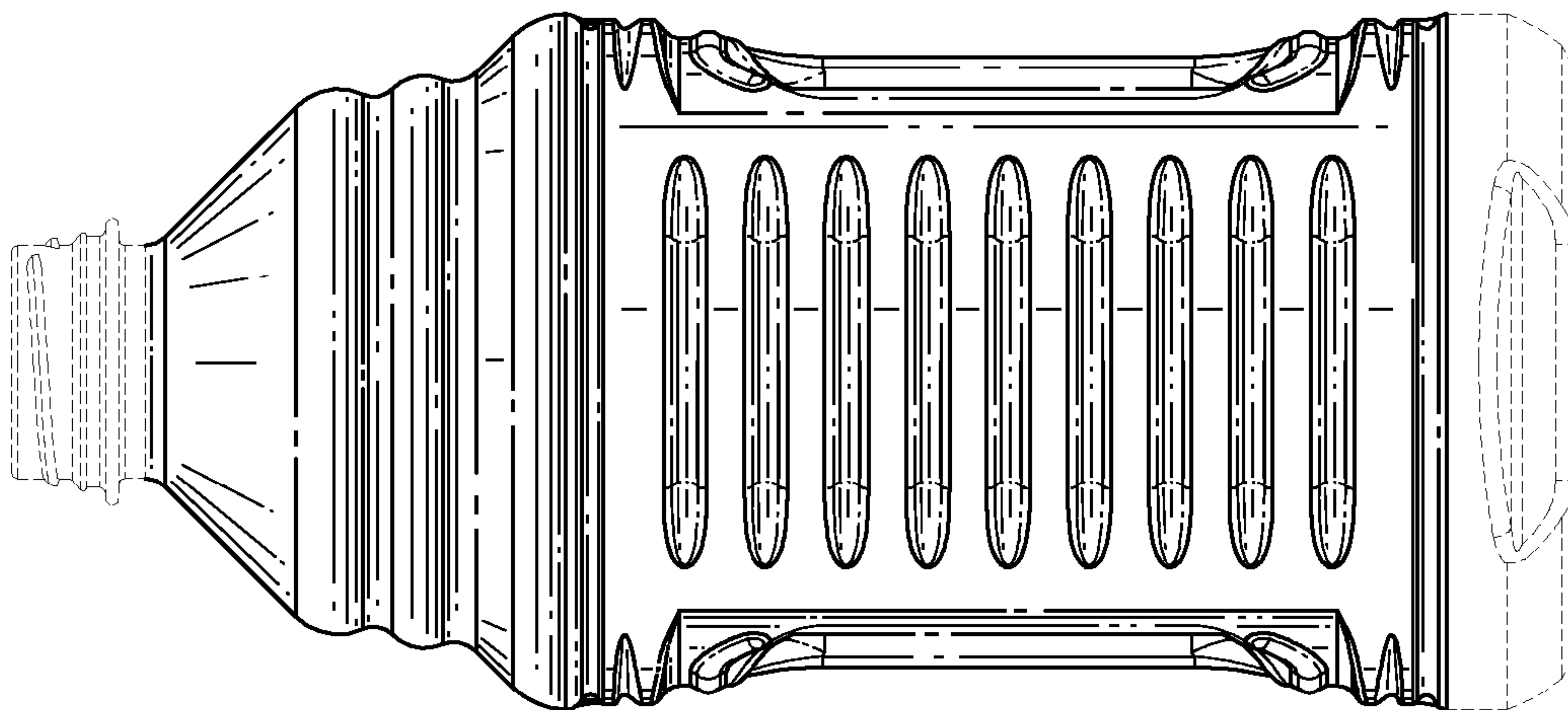


FIG. 12

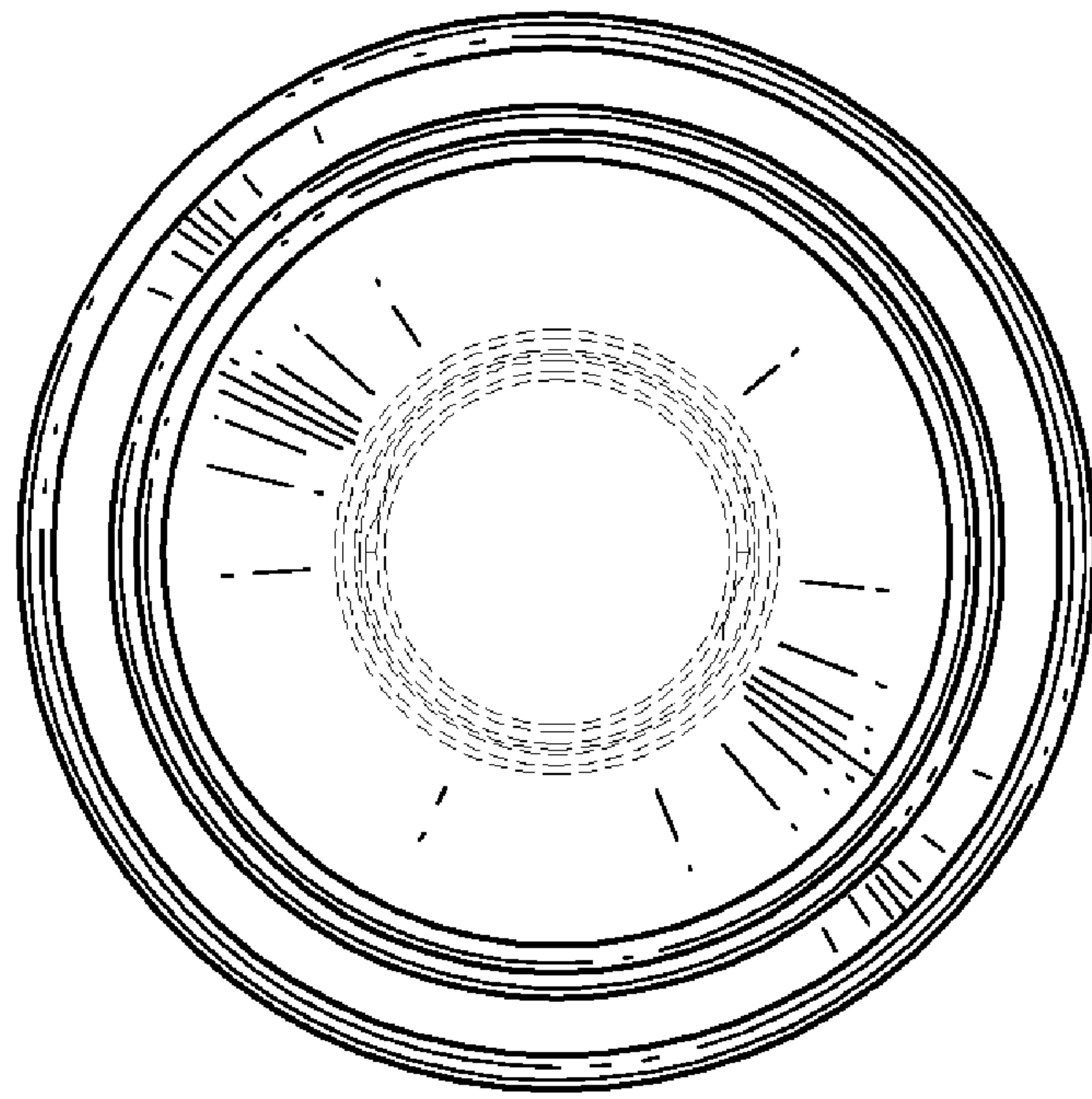


FIG. 15

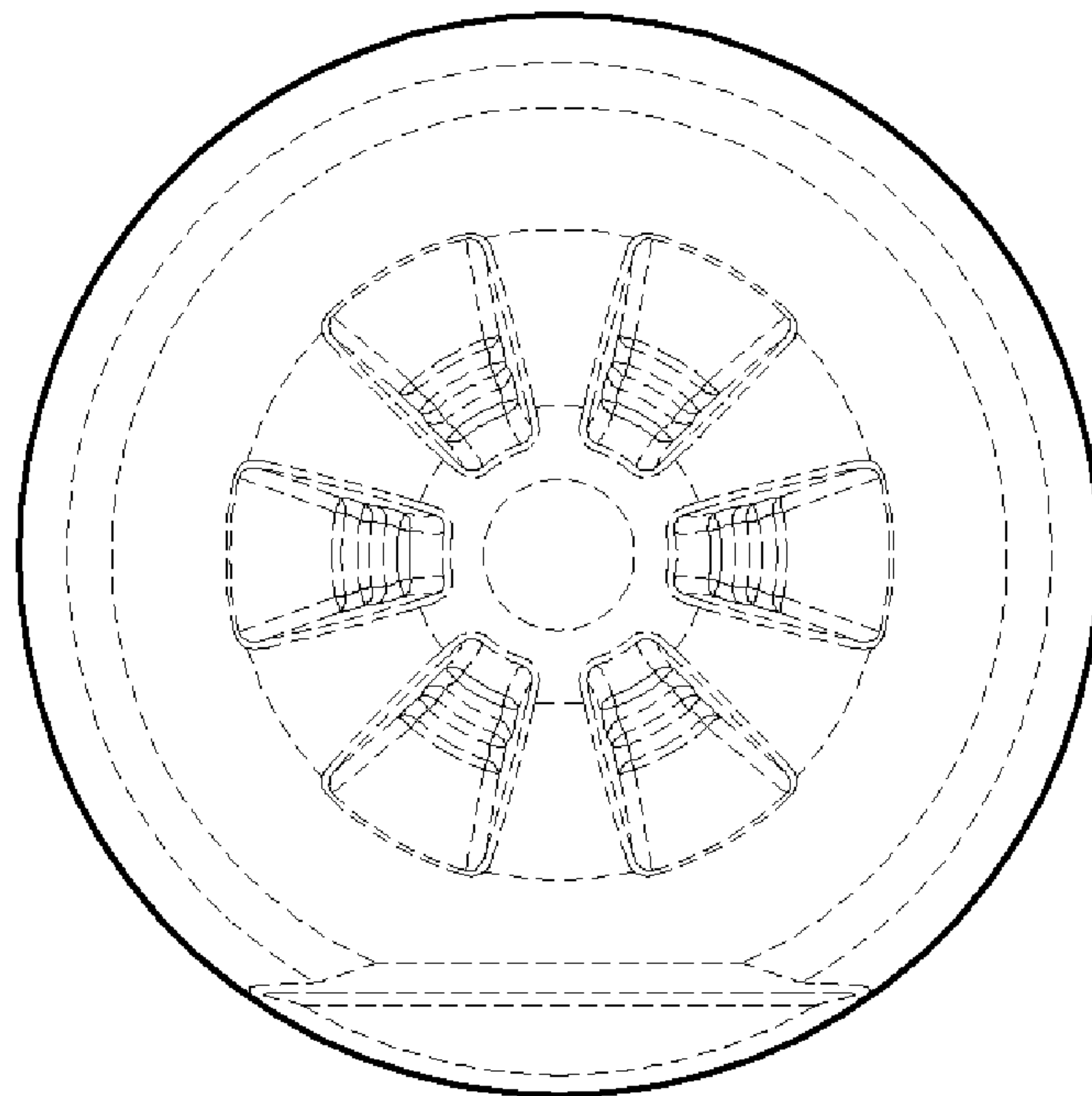


FIG. 16