



US00D598770S

(12) **United States Design Patent**
Delfino, Jr.

(10) **Patent No.:** **US D598,770 S**

(45) **Date of Patent:** **** Aug. 25, 2009**

(54) **DISPENSER FOR DISPENSING FRAGRANCES**

(75) **Inventor:** **Francis A. Delfino, Jr.**, Southington, CT (US)

(73) **Assignee:** **Waterbury Companies, Inc.**, Waterbury, CT (US)

(**) **Term:** **14 Years**

(21) **Appl. No.:** **29/271,356**

(22) **Filed:** **Jan. 17, 2007**

(51) **LOC (9) Cl.** **09-01**

(52) **U.S. Cl.** **D9/538**; D9/503; D9/539; D9/556; D9/558; D9/439; D9/453; D9/454; D23/366

(58) **Field of Classification Search** D9/682, D9/686-694, 500, 503, 504, 529, 549, 558, D9/435, 439, 453, 454, 538; D28/4, 7, 76, D28/82; 215/379, 382-384; 220/660, 669, 220/670; D7/612-615; D26/7-16; D23/366
See application file for complete search history.

(56) **References Cited**

U.S. PATENT DOCUMENTS

D28,637	S	*	5/1898	Estes	D9/504
3,263,847	A	*	8/1966	Amann	215/382
D243,065	S	*	1/1977	Picker	D9/503
D249,998	S	*	10/1978	Gobleck, Jr.	D7/613
D253,549	S	*	11/1979	Seager	D23/366
D272,507	S	*	2/1984	Conti	D7/615
D280,548	S	*	9/1985	Cramer	D23/366
D329,962	S	*	10/1992	Hestehave et al.	D7/612
5,874,141	A	*	2/1999	Matsui	215/371 X
D409,491	S	*	5/1999	Ullrich et al.	D9/453
D442,301	S	*	5/2001	Klett et al.	D26/7
D446,587	S	*	8/2001	Klett et al.	D26/7
D453,041	S		1/2002	Nelson		
D453,561	S		2/2002	Nelson		

D464,417	S		10/2002	Nelson		
D488,214	S	*	4/2004	Quantin	D23/366
D492,798	S	*	7/2004	Reynolds et al.	D26/11
D495,599	S	*	9/2004	Biesecker	D9/454 X
D503,886	S	*	4/2005	Biesecker	D9/453 X
D556,922	S	*	12/2007	Morrison	D26/23
2005/0087475	A1	*	4/2005	Byun	206/581

FOREIGN PATENT DOCUMENTS

GB	1057931	*	10/1989
GB	2047949	*	9/1995

OTHER PUBLICATIONS

Yankee Candle candle designs (<http://web.archive.org/web/19971015023502/http://www.yankeecandle.com/>) Publication date Oct. 15, 1997.

* cited by examiner

Primary Examiner—Carol Rademaker

(74) *Attorney, Agent, or Firm*—Carmody & Torrance LLP

(57) **CLAIM**

The ornamental design for a dispenser for dispensing fragrances, as shown and described.

DESCRIPTION

FIG. 1 is a perspective view of a dispenser for dispensing fragrances showing my new design;

FIG. 2 is a front elevational view thereof;

FIG. 3 is a right side elevational view thereof;

FIG. 4 left side elevational view thereof;

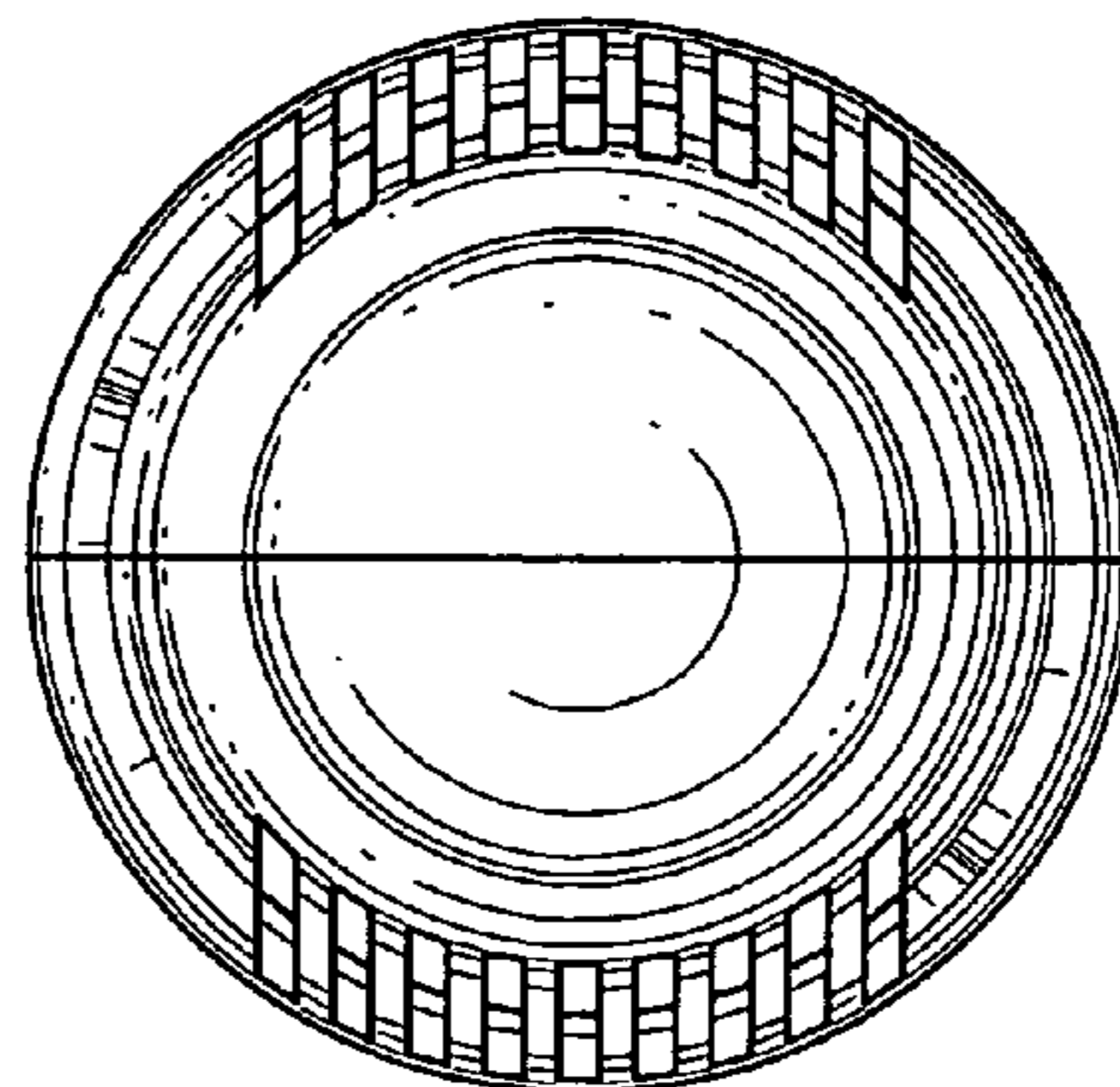
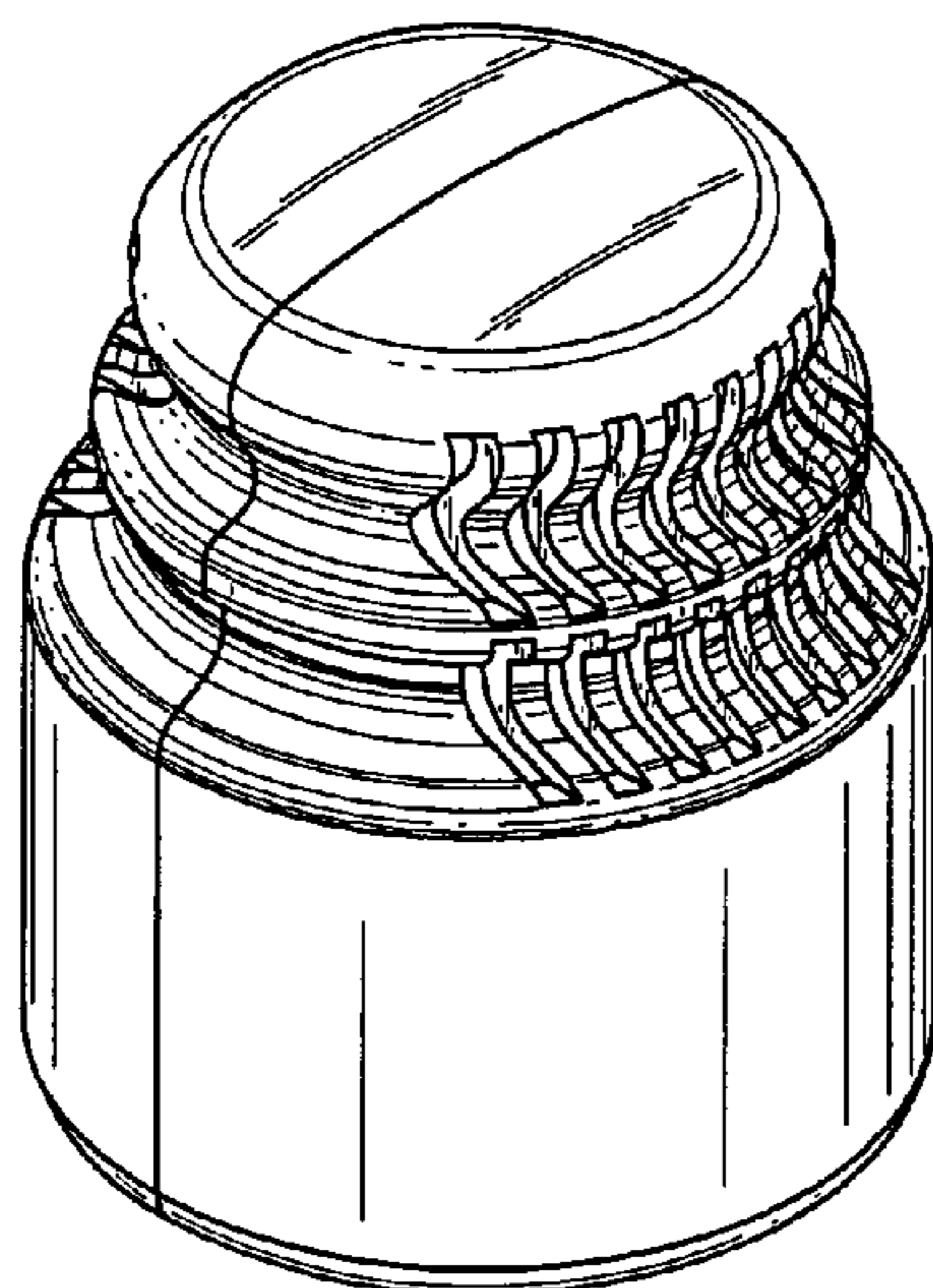
FIG. 5 back elevational view thereof;

FIG. 6 is a top plan view thereof; and,

FIG. 7 is a bottom plan view thereof.

The broken lines shown in FIGS. 2, 3, 5, 6, and 7 are used to illustrate a portion of the dispenser for dispensing fragrances that does not form a part of the claimed design.

1 Claim, 2 Drawing Sheets



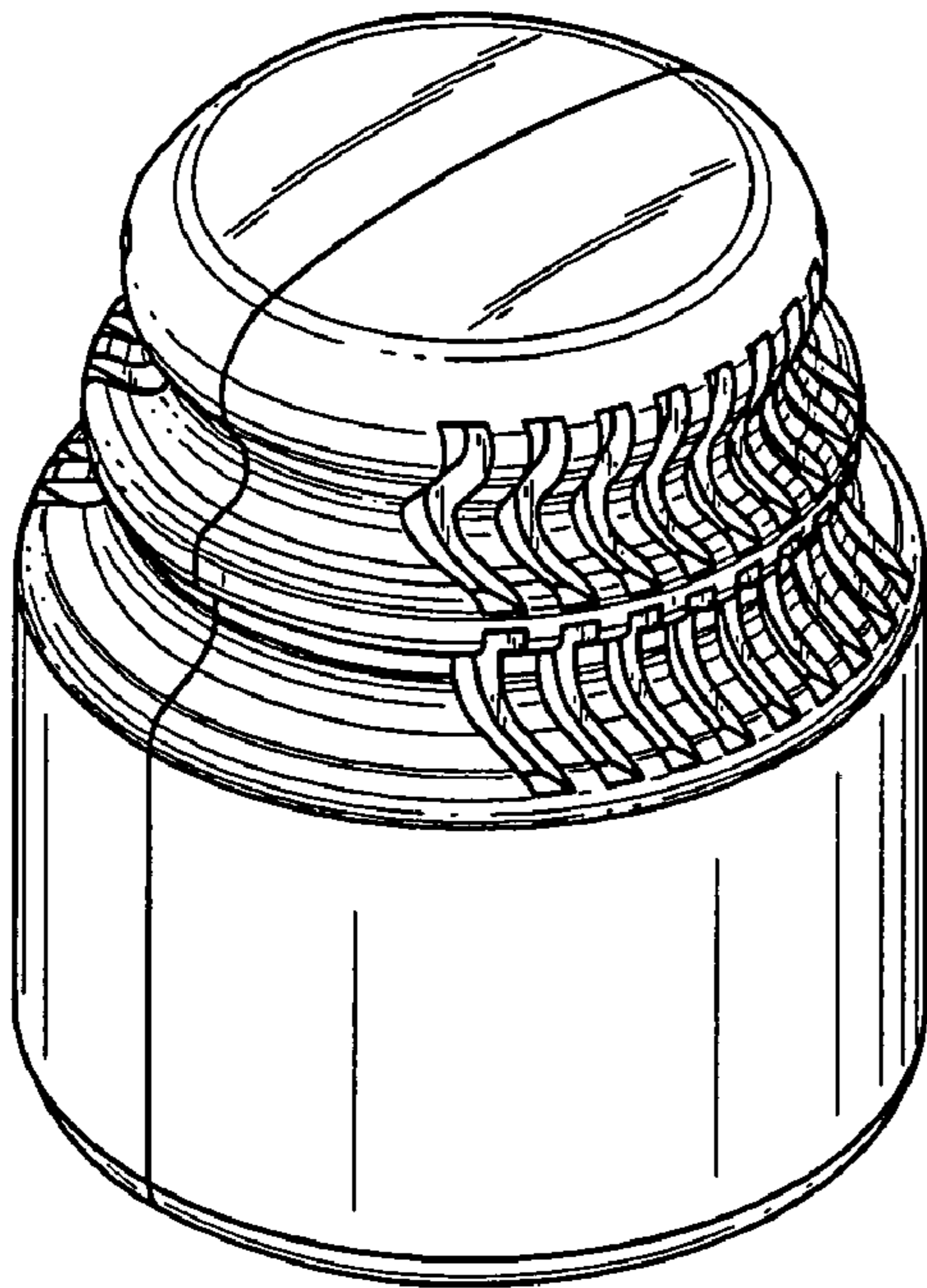


FIG. 1

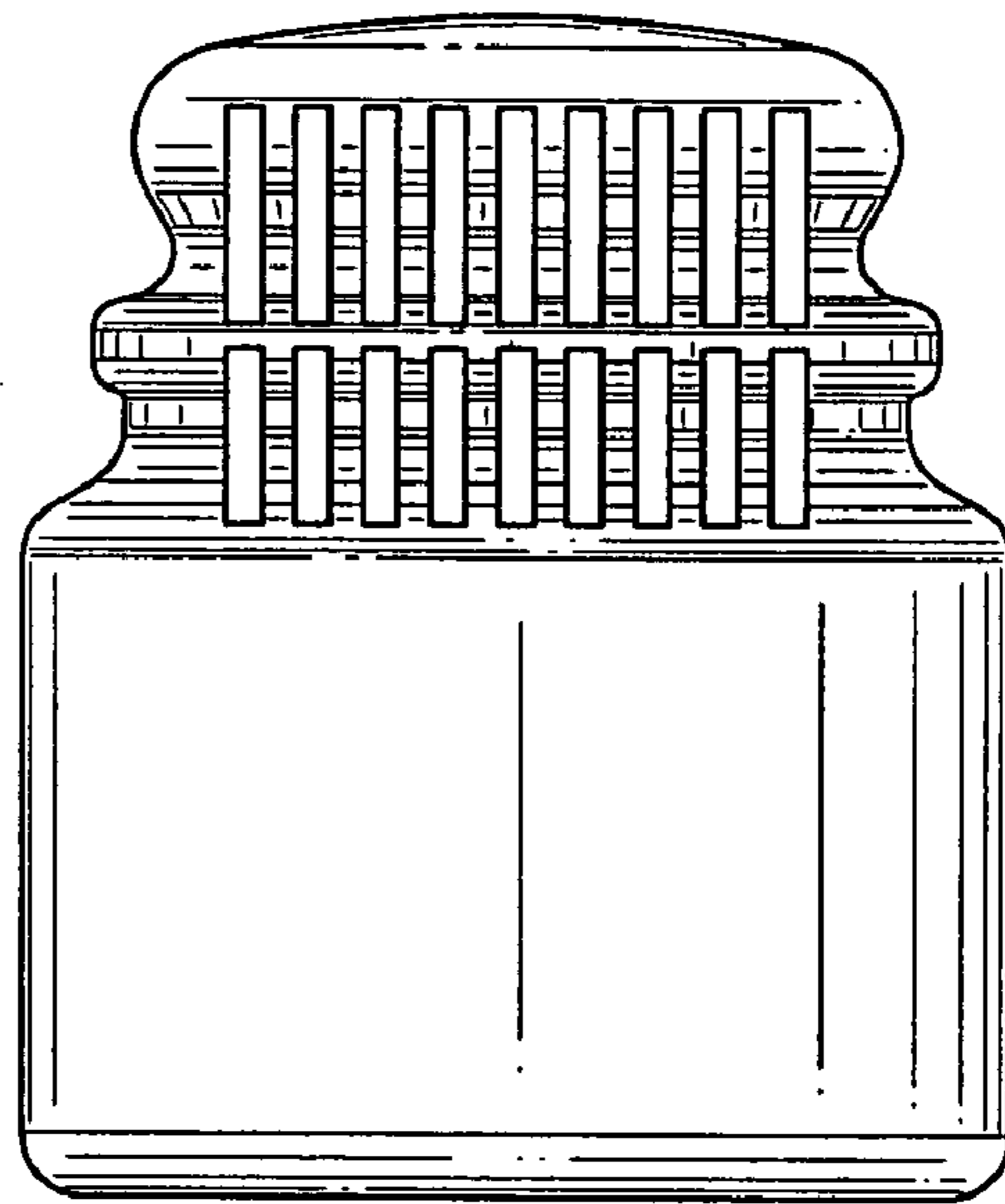


FIG. 2

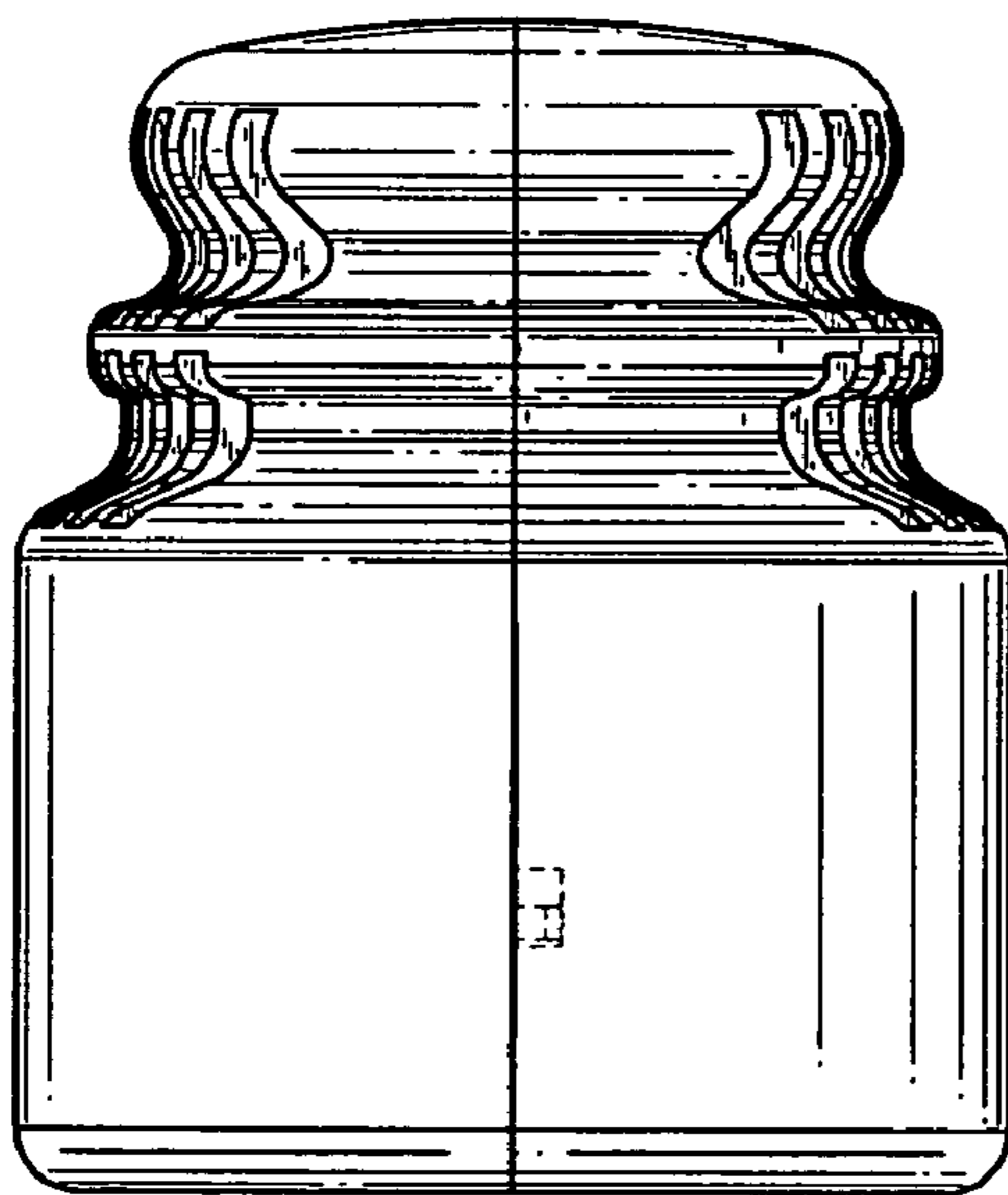


FIG. 3

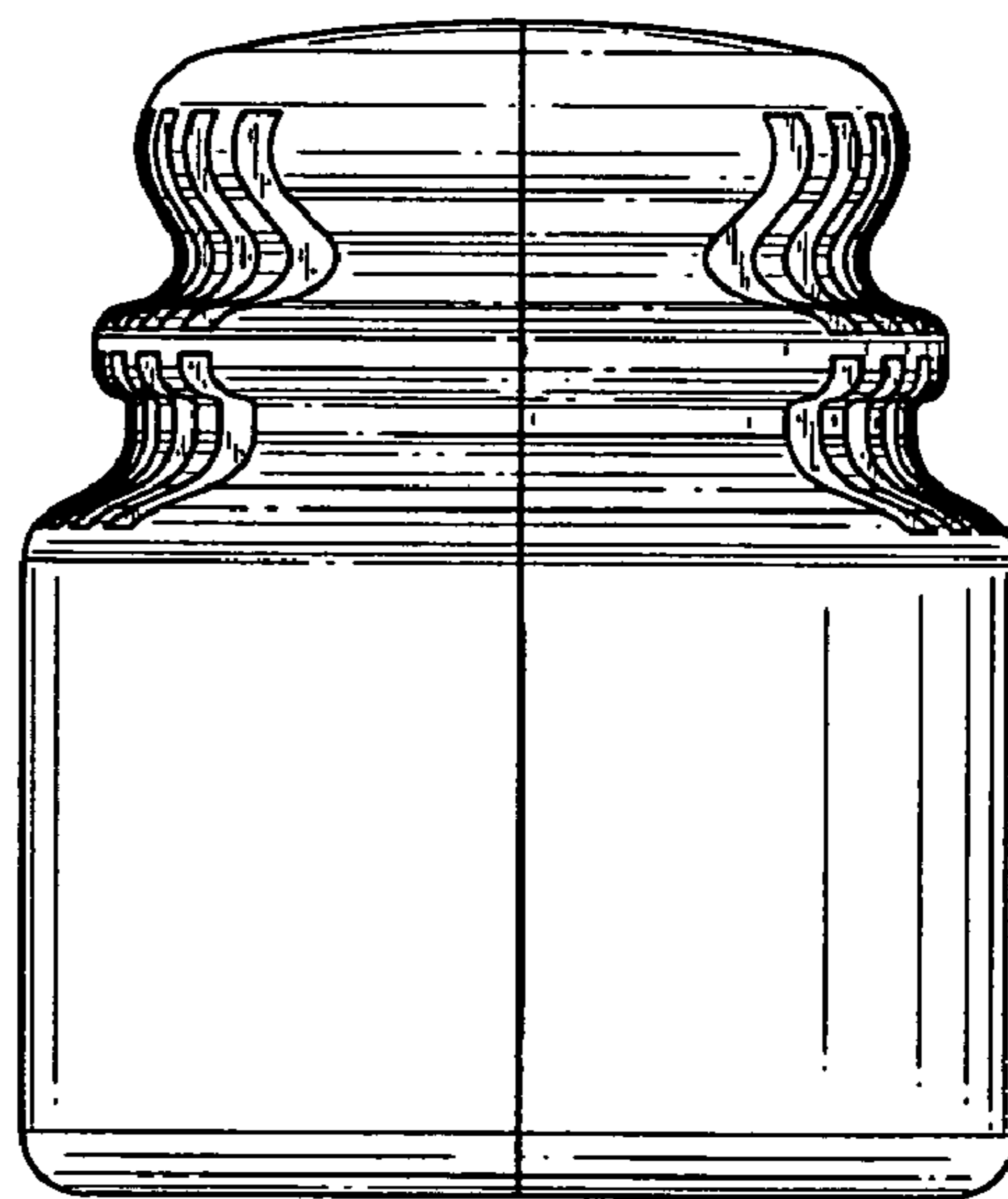


FIG. 4

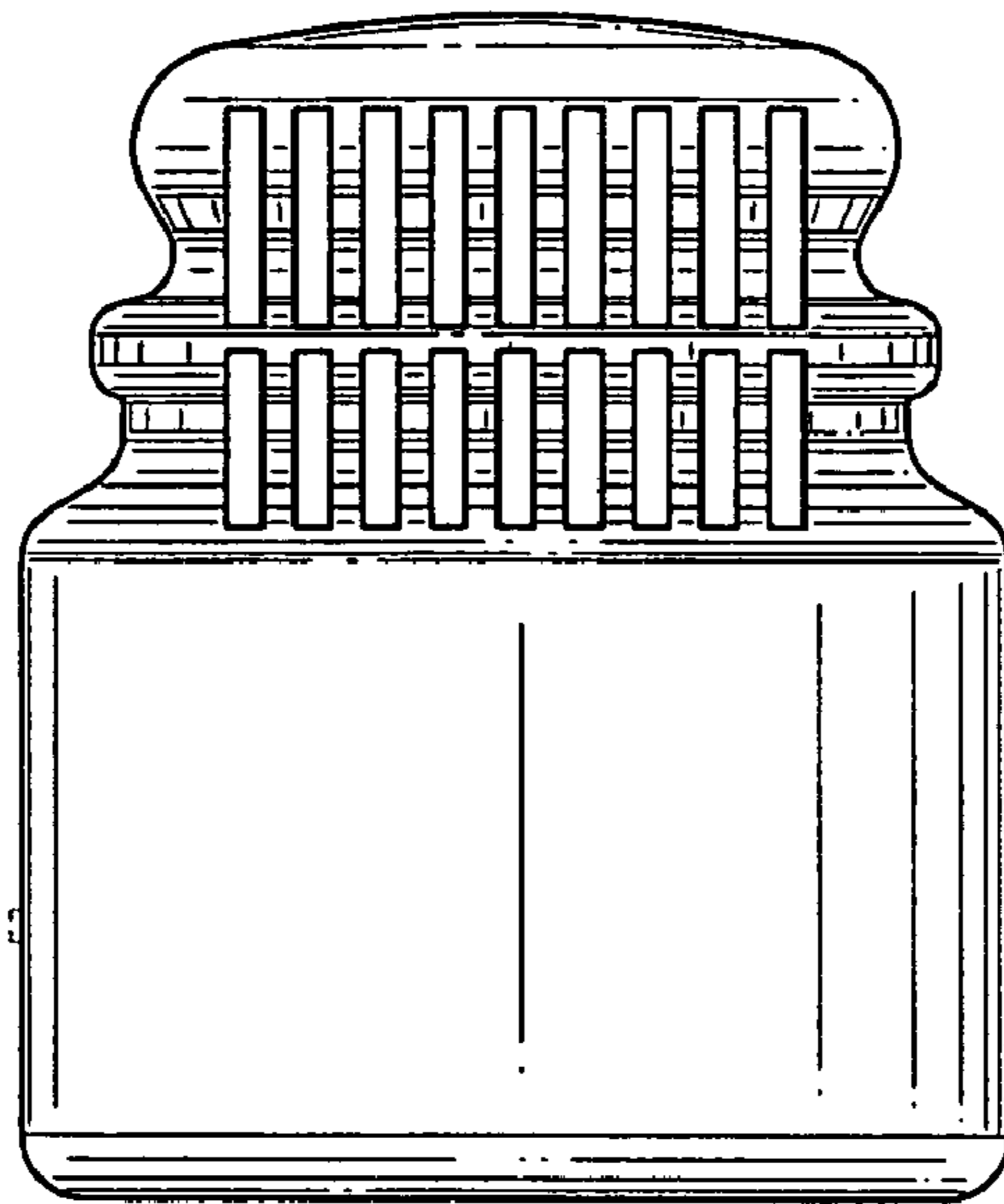


FIG. 5

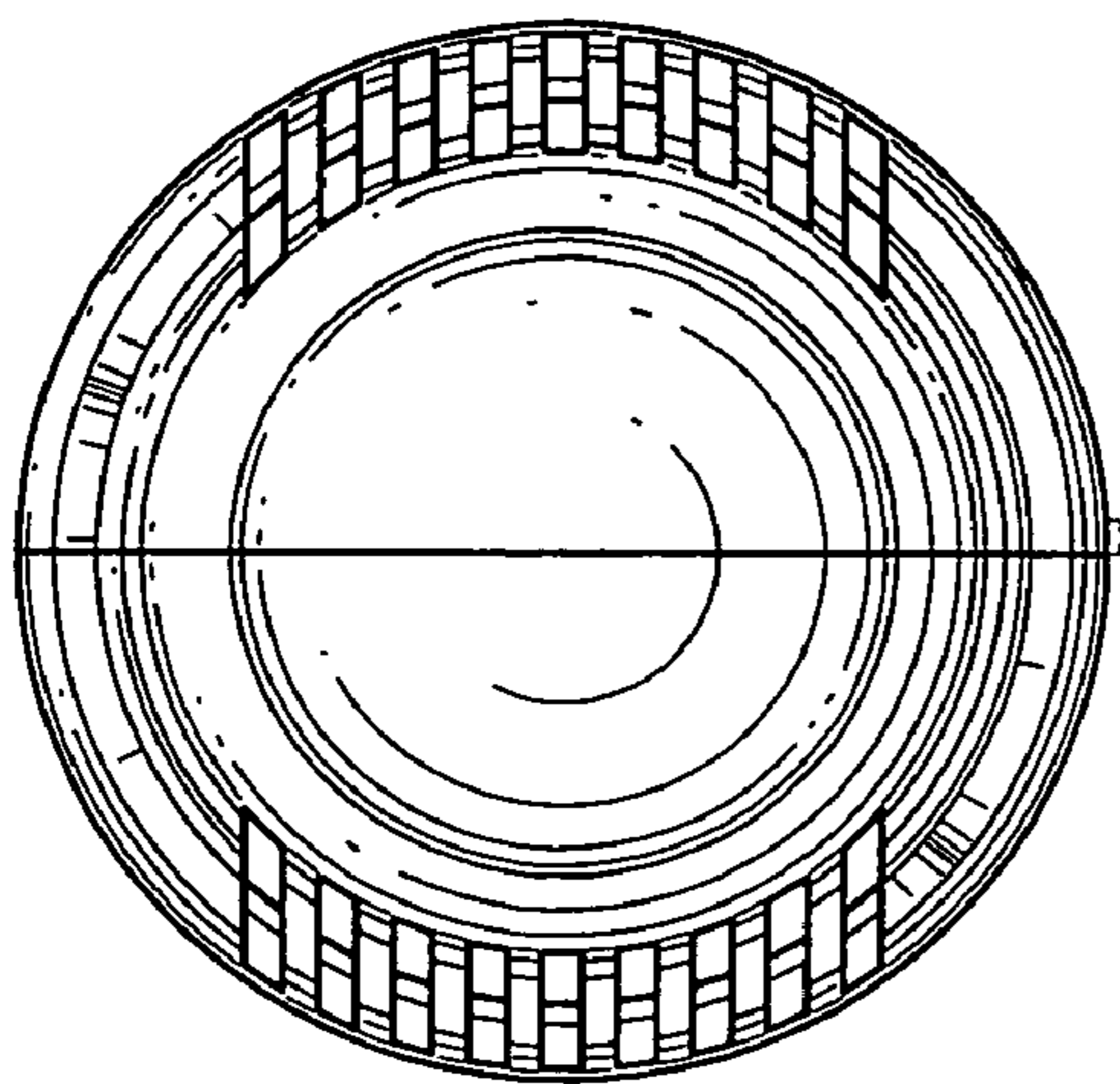


FIG. 6

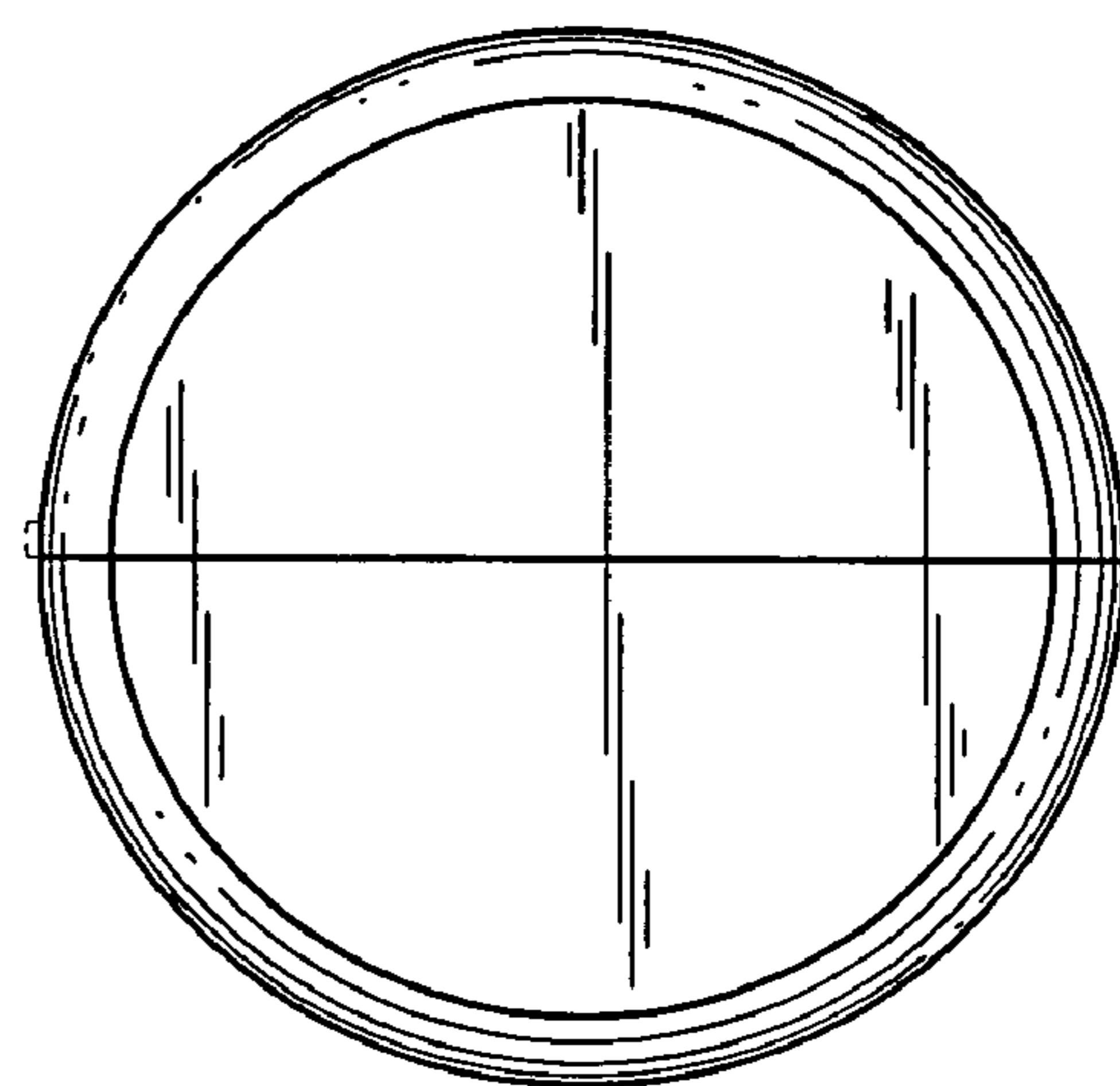


FIG. 7