



US00D598757S

(12) **United States Design Patent**
Farrell et al.

(10) **Patent No.:** **US D598,757 S**

(45) **Date of Patent:** **** *Aug. 25, 2009**

(54) **PORTIONS OF A CONTAINER**

(75) Inventors: **Michael Sean Farrell**, Terrace Park, OH (US); **Gustavo Jose Camargo-Parodi**, Mason, OH (US)

(73) Assignee: **The Procter & Gamble Company**, Cincinnati, OH (US)

(**) Term: **14 Years**

(21) Appl. No.: **29/285,495**

(22) Filed: **Mar. 30, 2007**

(51) **LOC (9) Cl.** **09-01**

(52) **U.S. Cl.** **D9/516; D9/524; D9/741**

(58) **Field of Classification Search** D9/516, D9/517, 520, 522, 523, 524, 526, 529, 544, D9/549, 556, 557, 558, 569, 570, 574, 575, D9/684, 690, 691, 692, 737, 738, 740, 741, D9/743; 215/381-385, 396, 398
See application file for complete search history.

(56) **References Cited**

U.S. PATENT DOCUMENTS

2,013,382	A *	9/1935	Garwood	65/74
4,196,808	A *	4/1980	Pardo	206/432
D280,599	S *	9/1985	Green	D9/741
D280,709	S *	9/1985	Waring	D9/520
4,691,828	A *	9/1987	Slusarczyk et al.	206/509
D341,314	S *	11/1993	Charbonneau et al.	D9/520
D355,365	S *	2/1995	Charbonneau et al.	D9/524
D404,302	S *	1/1999	Martin	D9/743
D411,802	S *	7/1999	Hestehave et al.	D9/500
D439,156	S *	3/2001	Hall et al.	D9/743

D446,726	S *	8/2001	Hall et al.	D9/522
D456,075	S *	4/2002	Clements et al.	D24/121
D471,457	S *	3/2003	Deichler et al.	D9/502
D472,150	S *	3/2003	Yourist	D9/524
D486,070	S *	2/2004	Walsh et al.	D9/530
D506,933	S *	7/2005	Kearney	D9/743
D528,004	S *	9/2006	Ratzlaff	D9/516
D539,167	S *	3/2007	Garrett	D9/743

* cited by examiner

Primary Examiner—Stella M Reid

Assistant Examiner—Elizabeth J Oswecki

(74) *Attorney, Agent, or Firm*—Larry L. Huston; Amy L. Ahn-Roll

(57) **CLAIM**

The ornamental design for portions of a container, as shown and described.

DESCRIPTION

FIG. 1 is a perspective view of portions of a container showing our new design;

FIG. 2 is a front elevational view thereof;

FIG. 3 is a rear elevational view thereof;

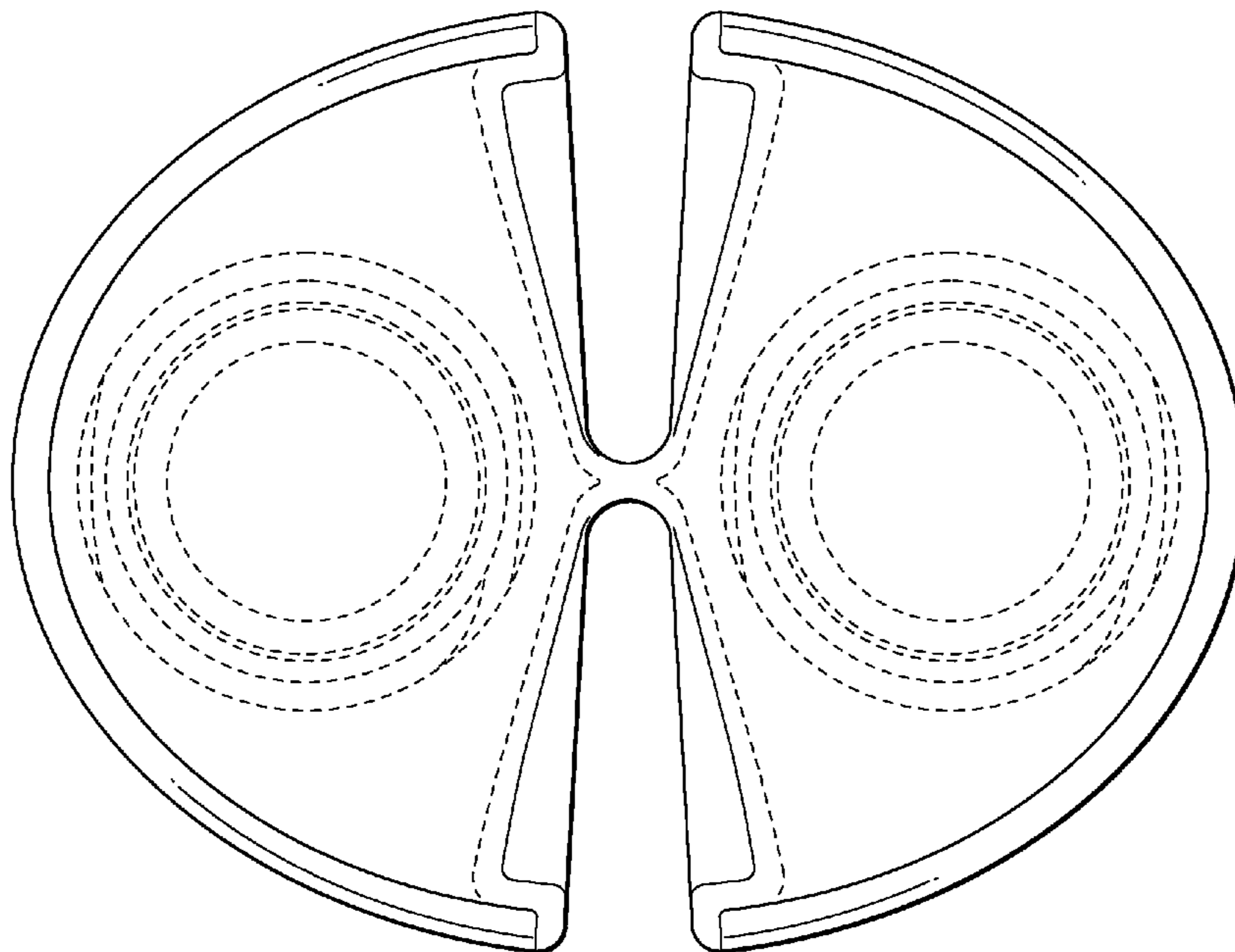
FIG. 4 is a side elevational view thereof;

FIG. 5 is an opposite side elevational view thereof; and,

FIG. 6 is a top plan view thereof; and the bottom view forms no part of the claimed invention.

The broken line showing of portions of a container is included for the purpose of illustrating only and forms no part of the claimed design.

1 Claim, 6 Drawing Sheets



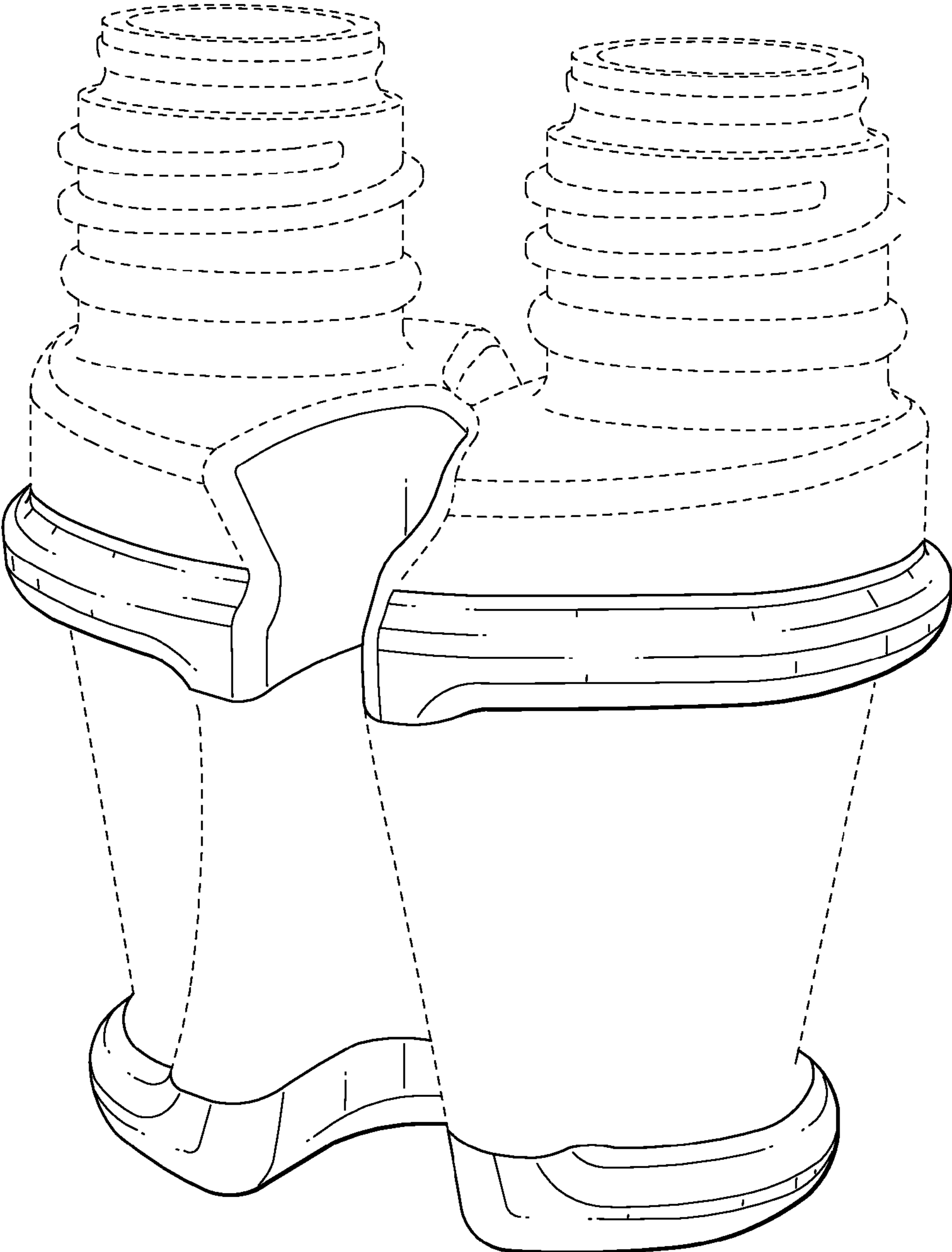


FIG. 1

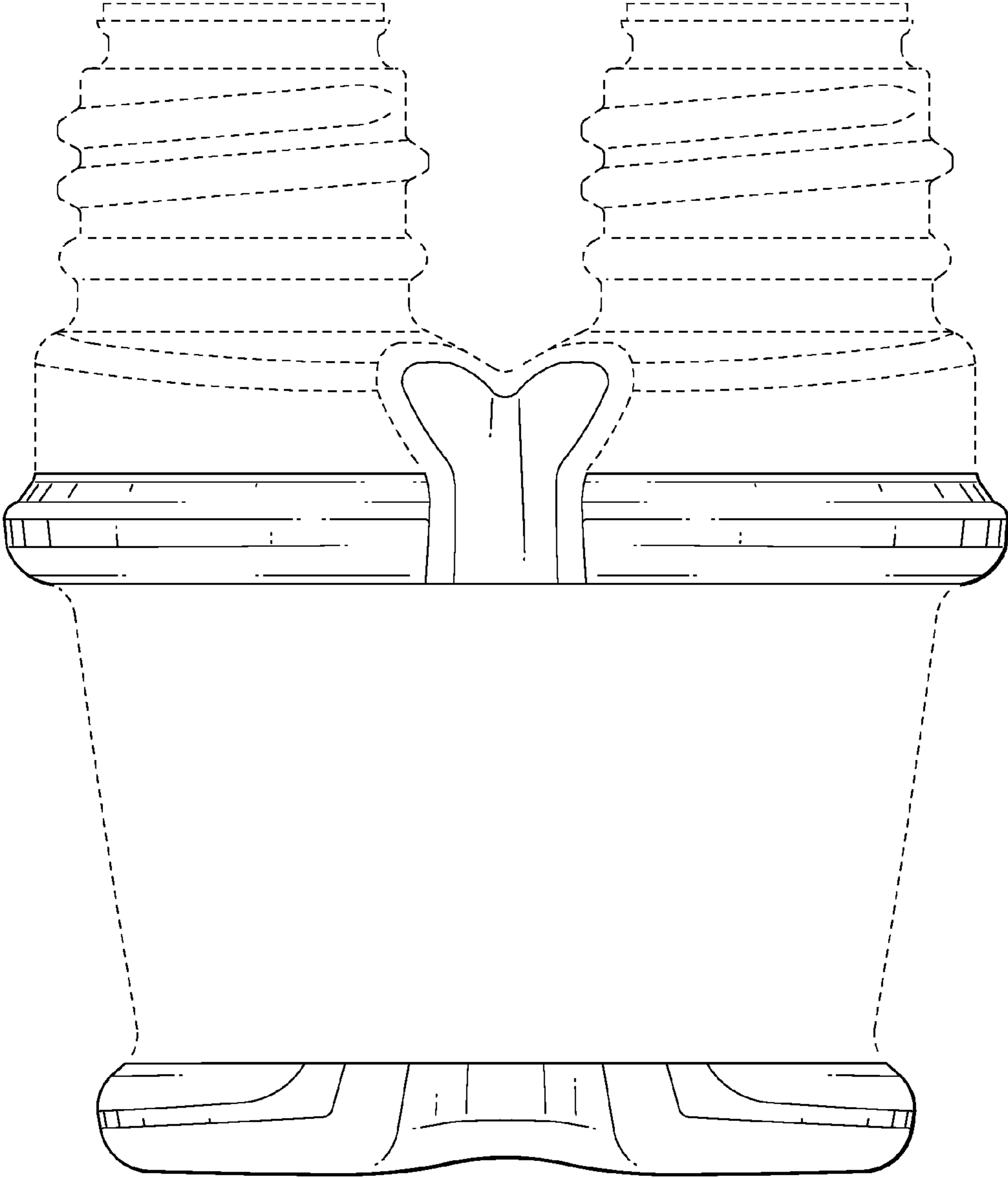


FIG. 2

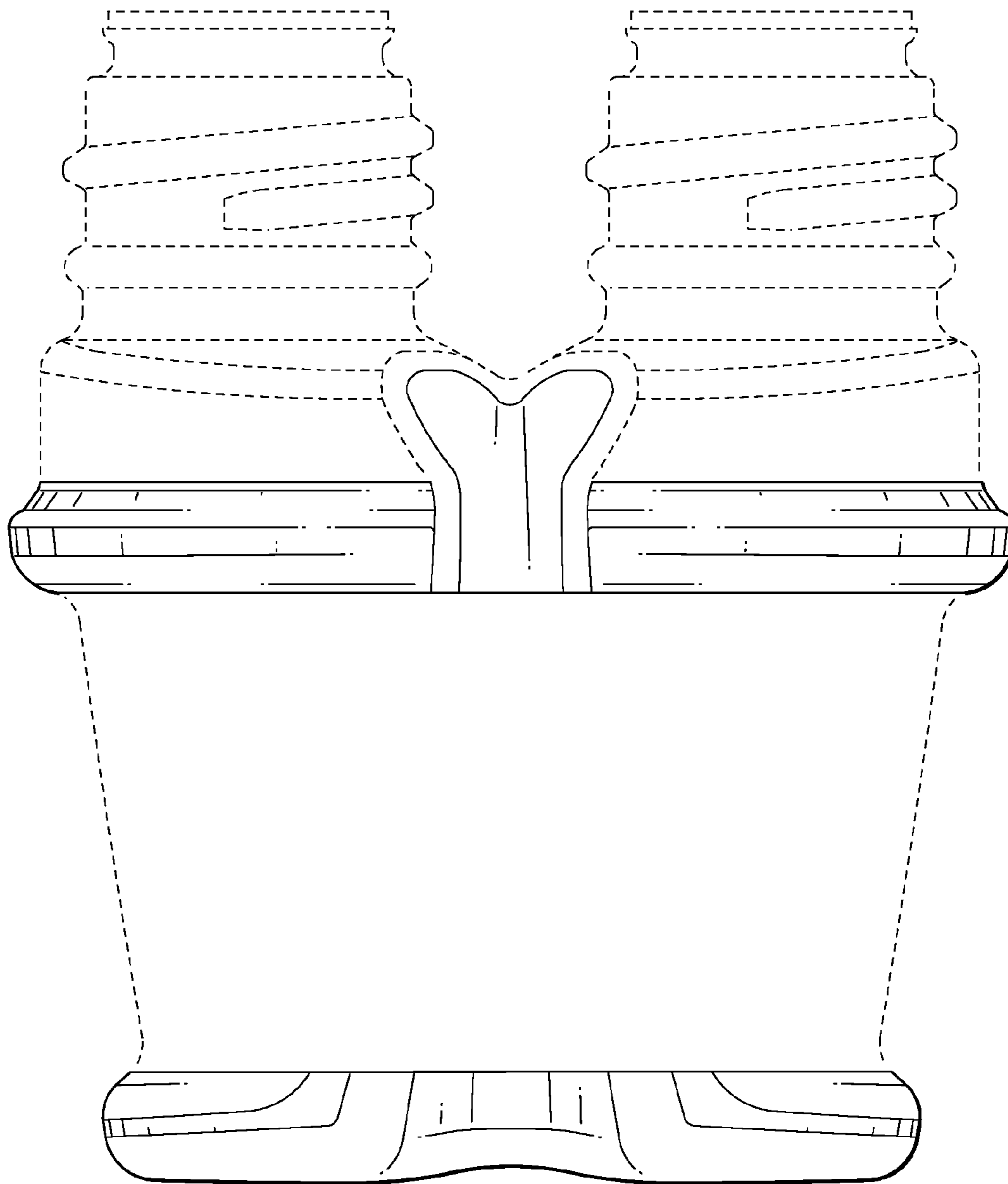


FIG. 3

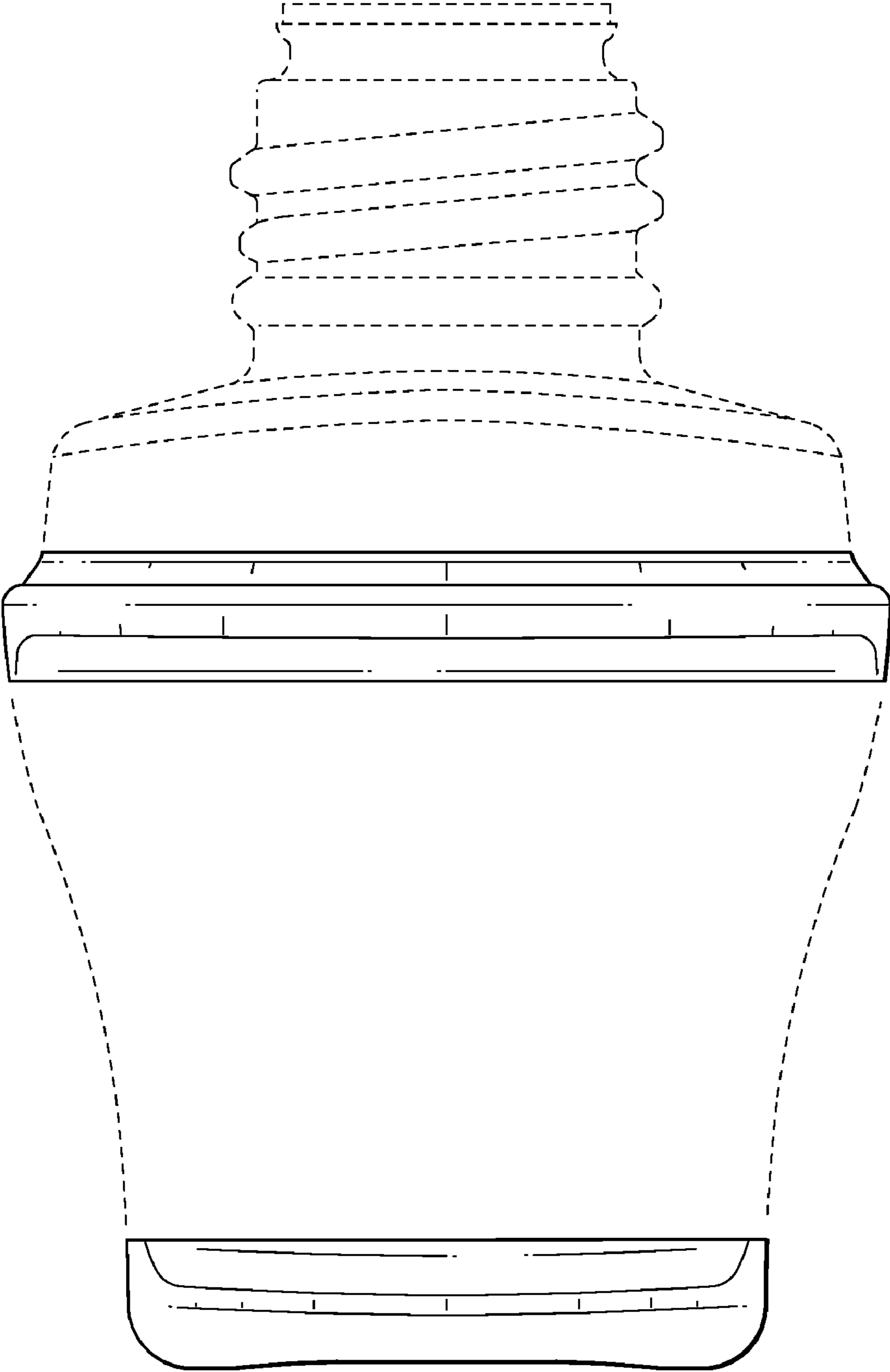


FIG. 4

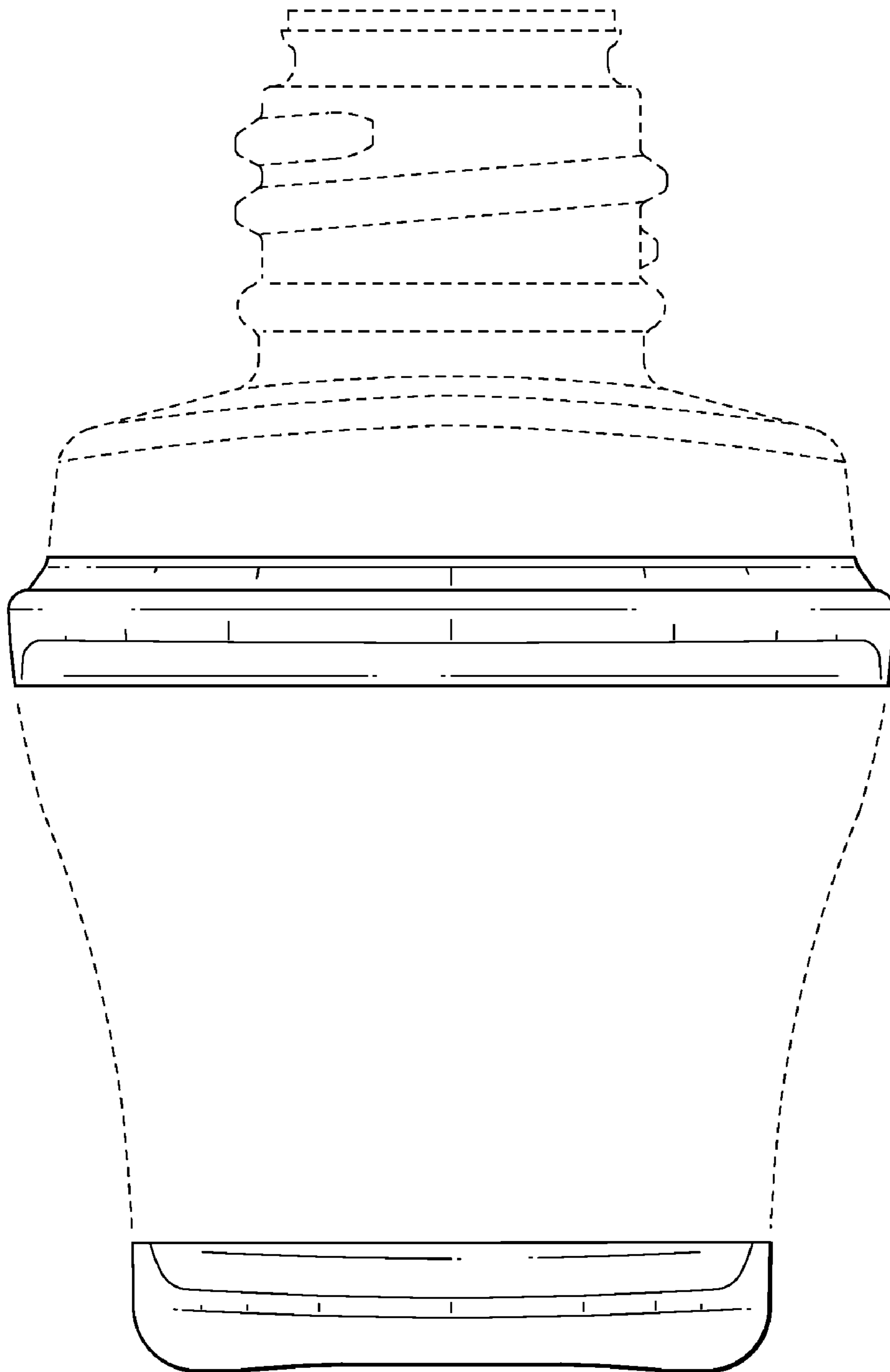


FIG. 5

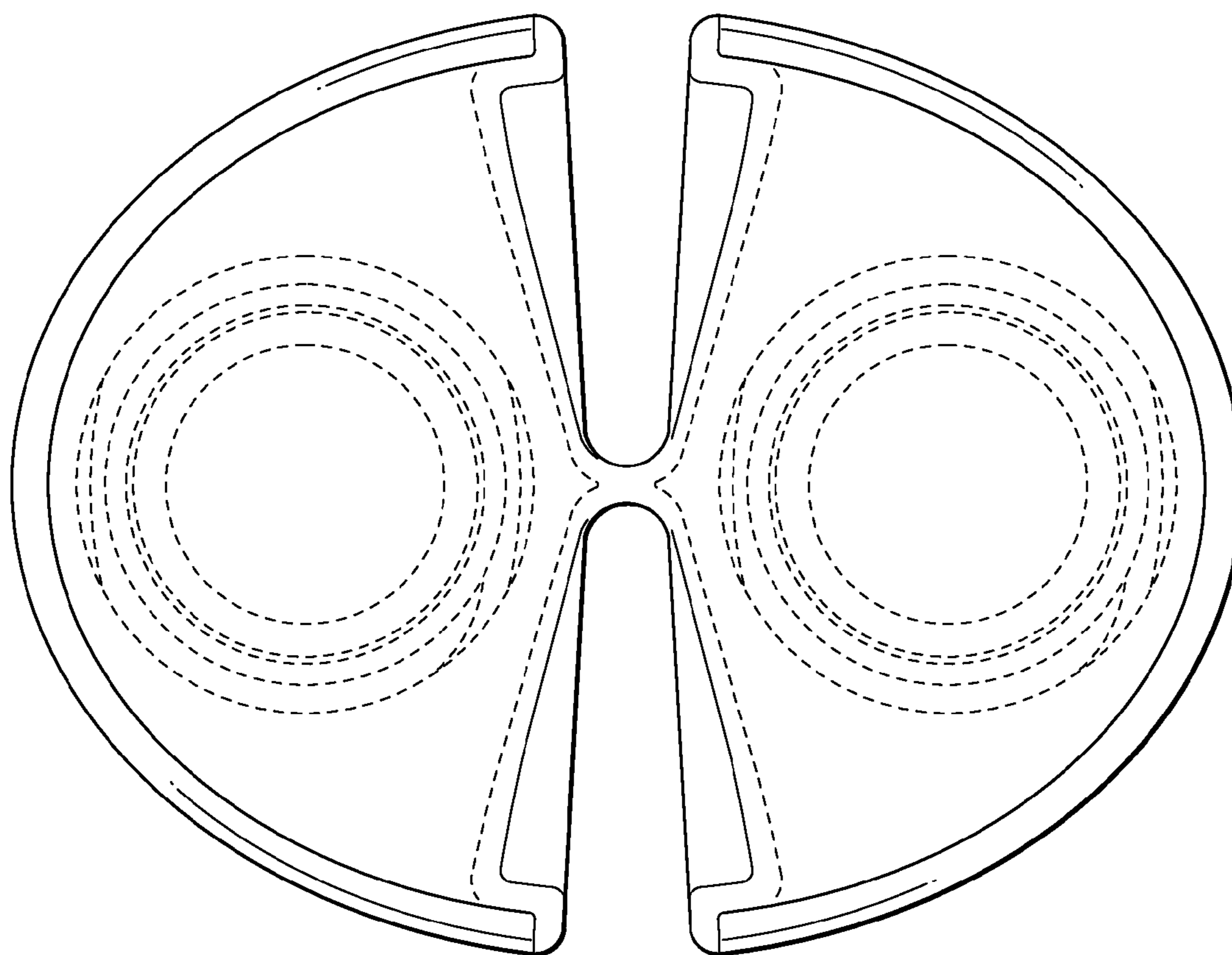


FIG. 6