



US00D598756S

(12) **United States Design Patent**  
**Robichaud et al.**

(10) **Patent No.:** **US D598,756 S**

(45) **Date of Patent:** **\*\* Aug. 25, 2009**

(54) **CORNER PROTECTOR**

(75) Inventors: **Claude Robichaud**, Canton de Granby (CA); **Jean Tanguay**, Canton de Granby (CA)

(73) Assignee: **Caoutchouc et Plastiques Falpaco**, Canton de Granby, Quebec (CA)

(\*\*) Term: **14 Years**

(21) Appl. No.: **29/304,086**

(22) Filed: **Feb. 25, 2008**

**Related U.S. Application Data**

(63) Continuation-in-part of application No. 11/111,751, filed on Apr. 22, 2005, now abandoned.

(51) **LOC (9) Cl.** ..... **09-07**

(52) **U.S. Cl.** ..... **D9/456; D8/403**

(58) **Field of Classification Search** ..... D9/456, D9/455, 435, 434, 429, 427, 414; D8/403, D8/402, 380; 428/319.3, 116; 248/345.1; 206/586, 523, 521, 454, 543  
See application file for complete search history.

(56) **References Cited**

**U.S. PATENT DOCUMENTS**

2,633,252 A	3/1953	Friedman
2,885,139 A	5/1959	Werner et al.
2,896,833 A	7/1959	Markham
3,047,142 A *	7/1962	Heffley ..... 206/453
3,049,260 A	8/1962	Stone
3,061,166 A	10/1962	Deeren et al.
3,086,689 A	4/1963	Wiedenmeier
3,144,236 A	8/1964	Clanin
3,150,854 A	9/1964	Jamieson
3,349,984 A	10/1967	Halko, Jr.
3,446,345 A	5/1969	Frosoy
3,655,034 A	4/1972	Stollman et al.
3,655,112 A	4/1972	Jeffers

3,762,626 A	10/1973	Dorsey
3,955,677 A	5/1976	Collingwood
3,960,354 A	6/1976	Simikoski
4,000,843 A	1/1977	Sorensen et al.
4,063,702 A	12/1977	Wilde et al.
4,072,231 A	2/1978	Helms
4,127,192 A	11/1978	Card
4,134,496 A	1/1979	Smith
4,194,630 A	3/1980	Kaiser
D260,590 S	9/1981	Hobson
4,287,265 A	9/1981	McKnight
4,496,054 A	1/1985	Koltun
4,742,916 A *	5/1988	Galea ..... 206/586
4,801,018 A	1/1989	Wilde
D303,924 S *	10/1989	Klein ..... D8/403
4,883,179 A	11/1989	Dionne
4,951,821 A	8/1990	Kempkes
4,972,954 A	11/1990	Dickie

(Continued)

*Primary Examiner*—Susan Bennett Hattan

(74) *Attorney, Agent, or Firm*—Ogilvy Renault LLP

(57) **CLAIM**

The ornamental design for a corner protector, as shown and described.

**DESCRIPTION**

FIG. 1 is a top perspective view of a corner protector in accordance with the present design;

FIG. 2 is a front elevation view thereof;

FIG. 3 is a right-side elevation view thereof, the left-side elevation view being a mirror image of FIG. 3;

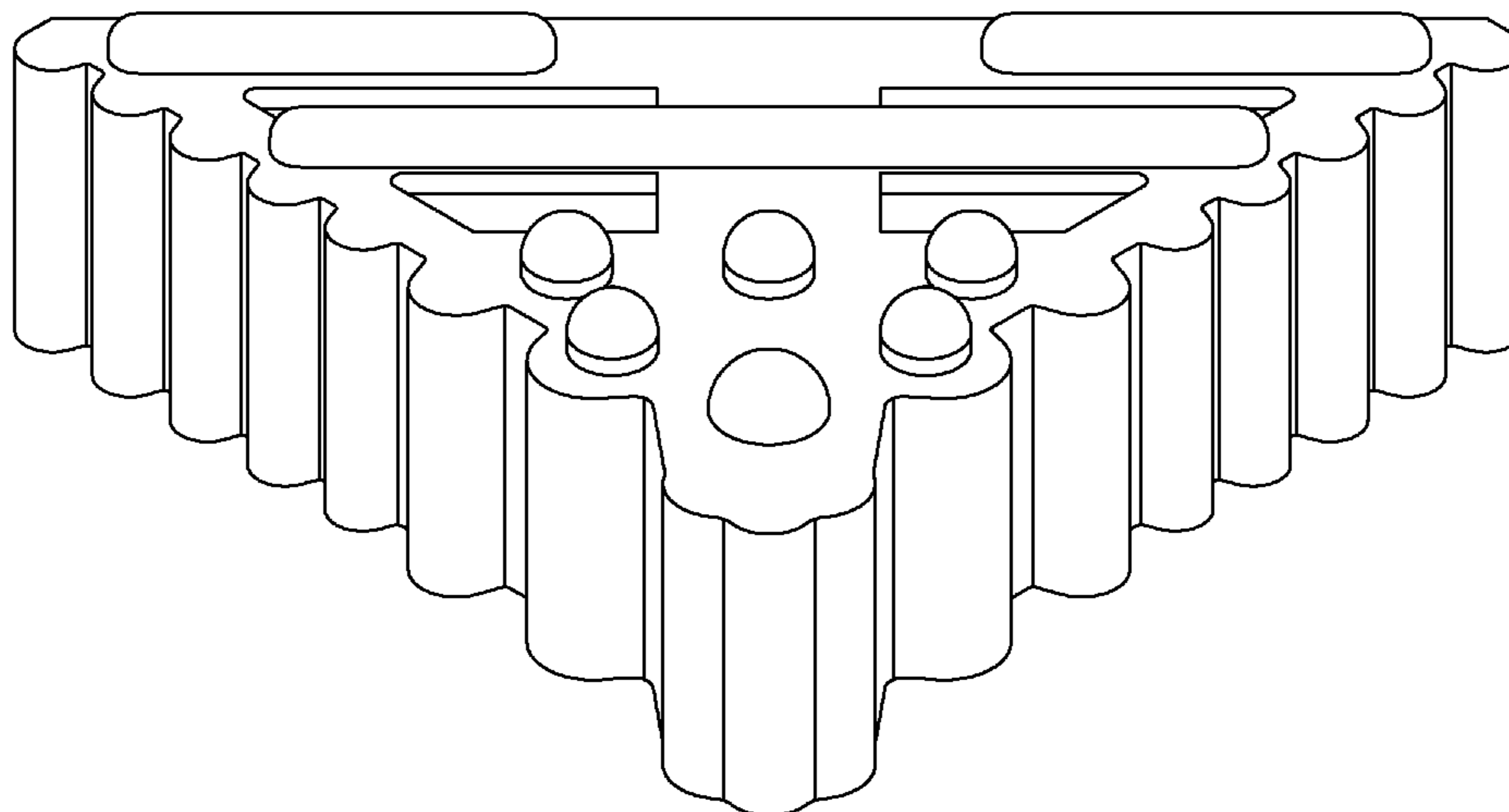
FIG. 4 is a top plan view thereof;

FIG. 5 is a bottom plan view thereof; and,

FIG. 6 is a rear elevation view thereof.

The broken lines in some figures are for illustrative purposes only and form no part of the claimed design.

**1 Claim, 6 Drawing Sheets**



# US D598,756 S

Page 2

---

U.S. PATENT DOCUMENTS								
5,065,972	A	11/1991	Buckshaw et al.	6,470,637	B2 *	10/2002	Gratz	206/453
5,071,009	A	12/1991	Ridgeway	6,629,608	B2	10/2003	Hurley et al.	
5,175,041	A	12/1992	Webb et al.	6,840,372	B2	1/2005	Giles et al.	
5,447,233	A	9/1995	Smith	6,899,946	B2	5/2005	Geary et al.	
D380,680	S *	7/1997	Sun	D560,486	S *	1/2008	Ray et al.	D8/403
5,678,692	A	10/1997	Gratz	7,318,526	B2 *	1/2008	Seelye et al.	206/586
D394,603	S *	5/1998	Brandes	D573,013	S *	7/2008	Lavelle	D8/403
D407,647	S *	4/1999	Merricks et al.	D584,621	S *	1/2009	Jean	D9/456
5,950,835	A	9/1999	Moser et al.	2005/0260403	A1	11/2005	Geary et al.	
6,103,335	A	8/2000	Zöller et al.	2006/0000745	A1	1/2006	Seelye et al.	

\* cited by examiner

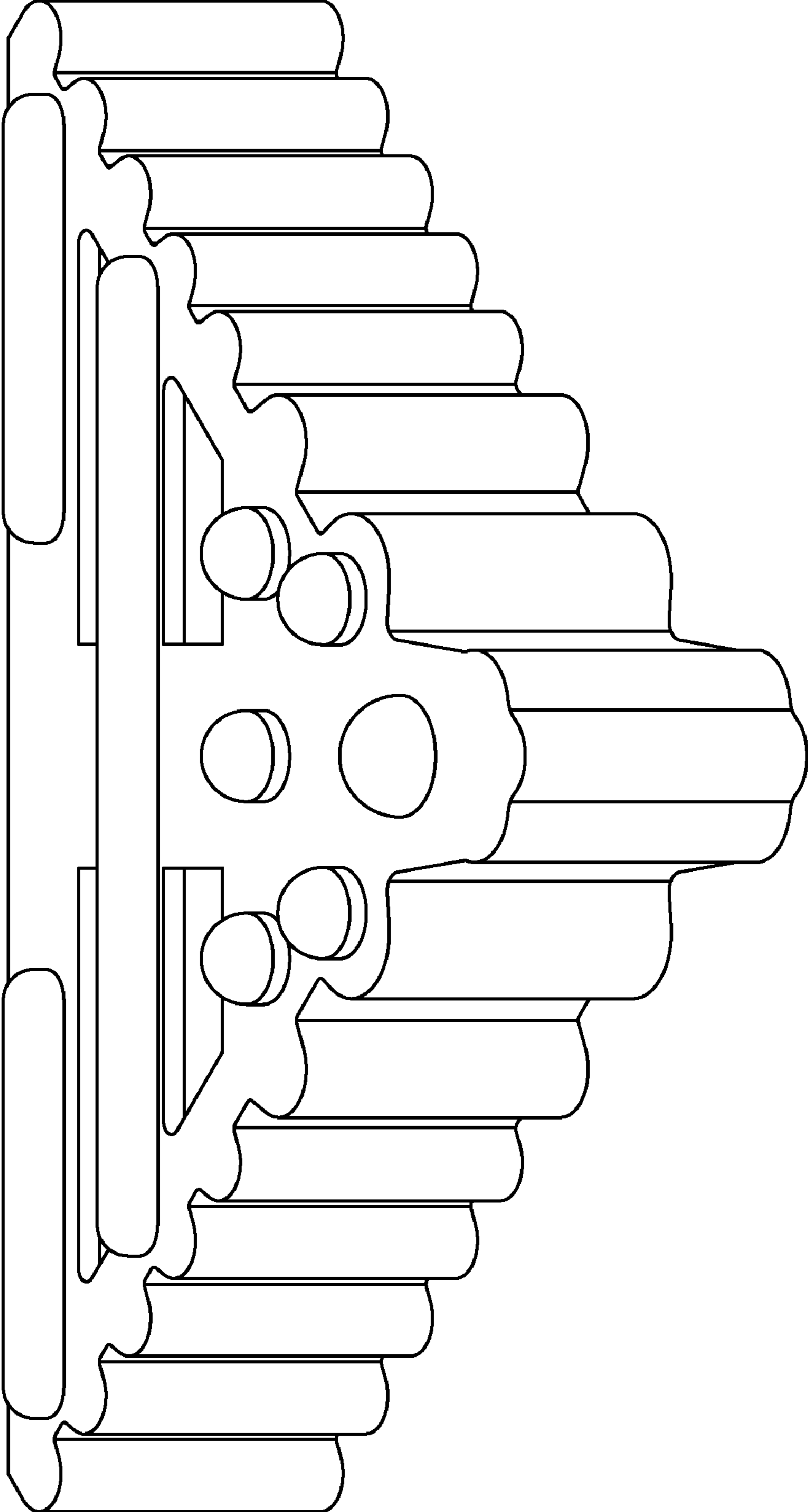


FIG. 1

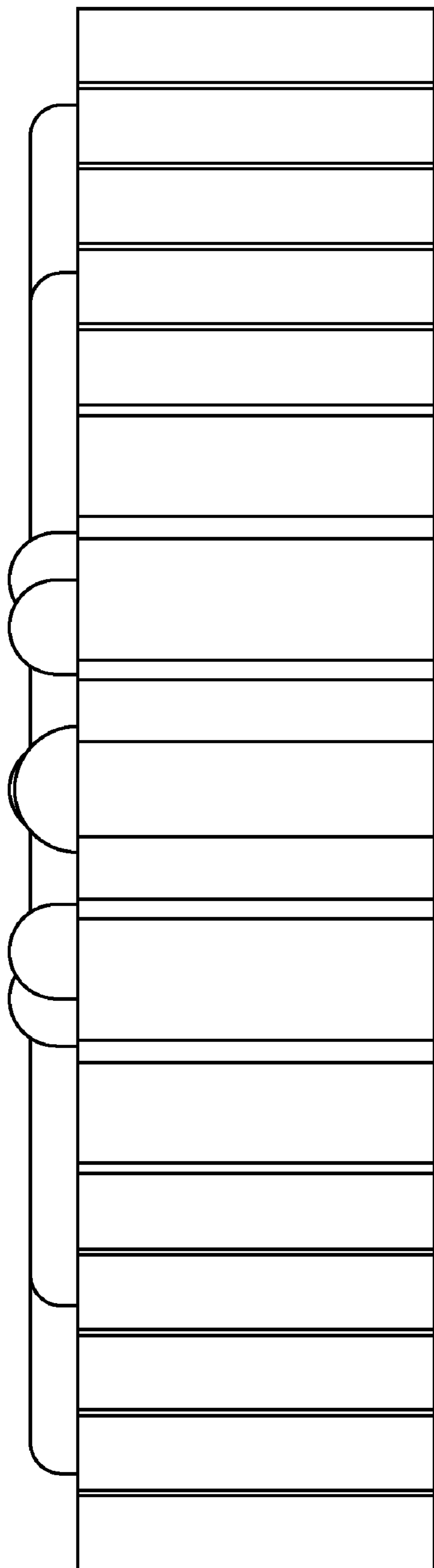


FIG. 2

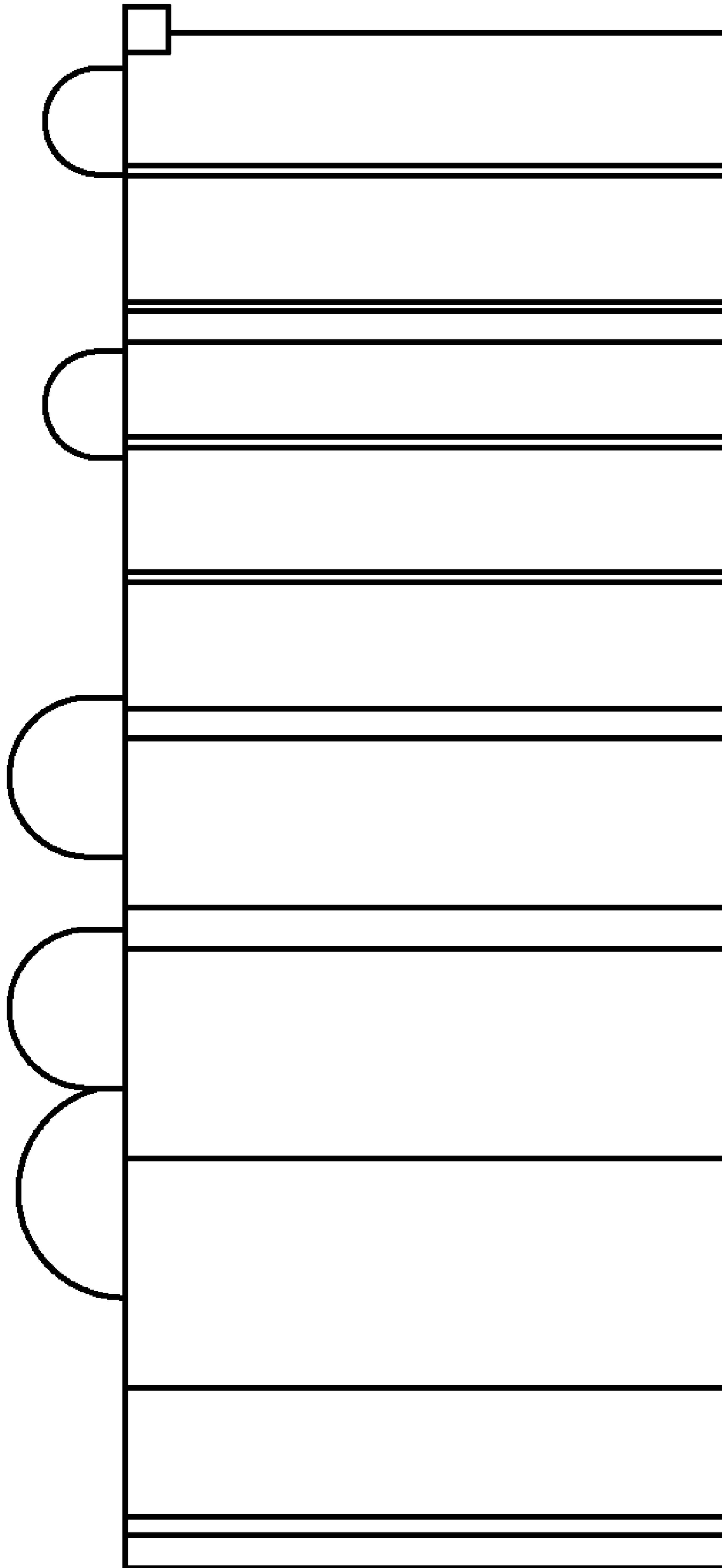


FIG. 3

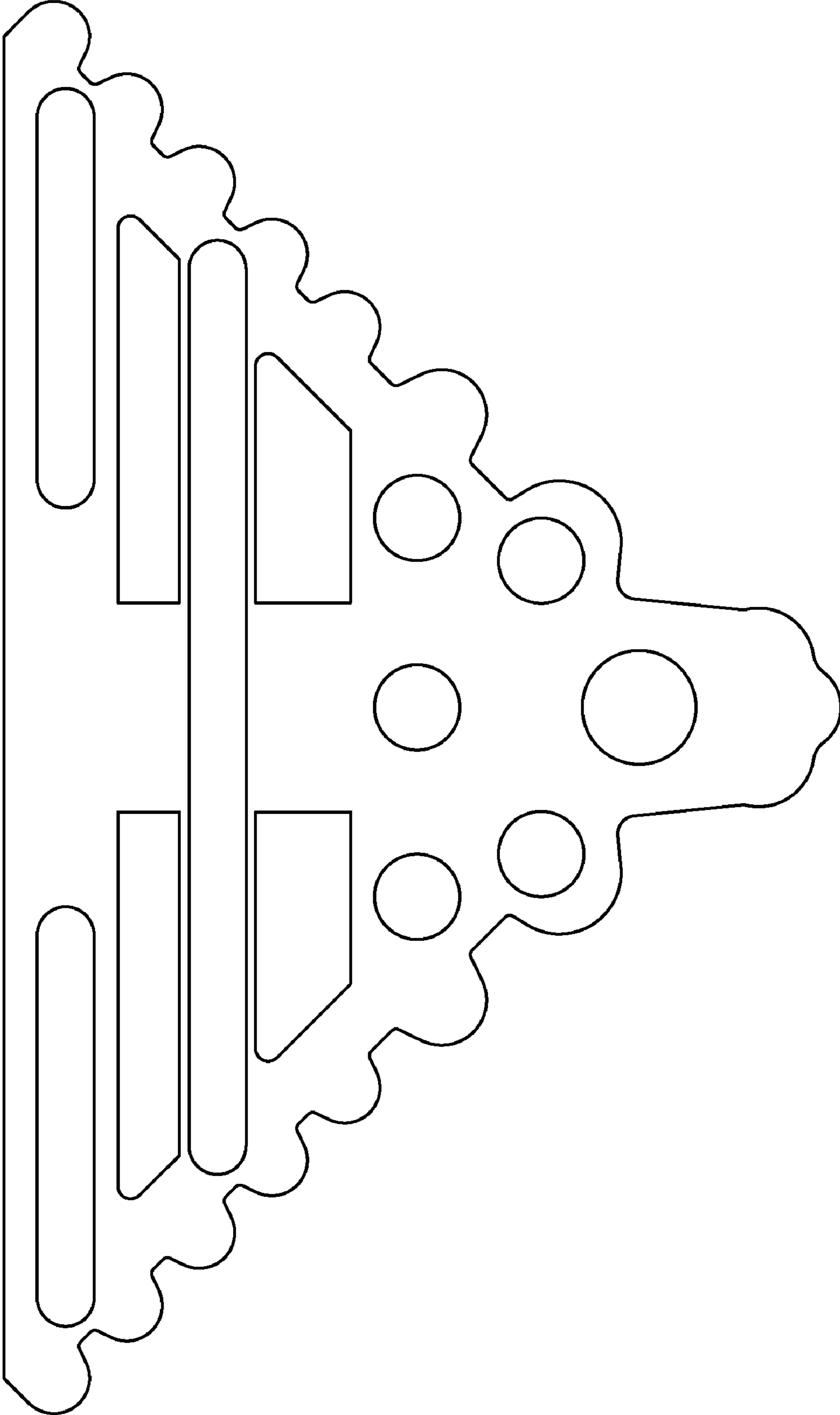
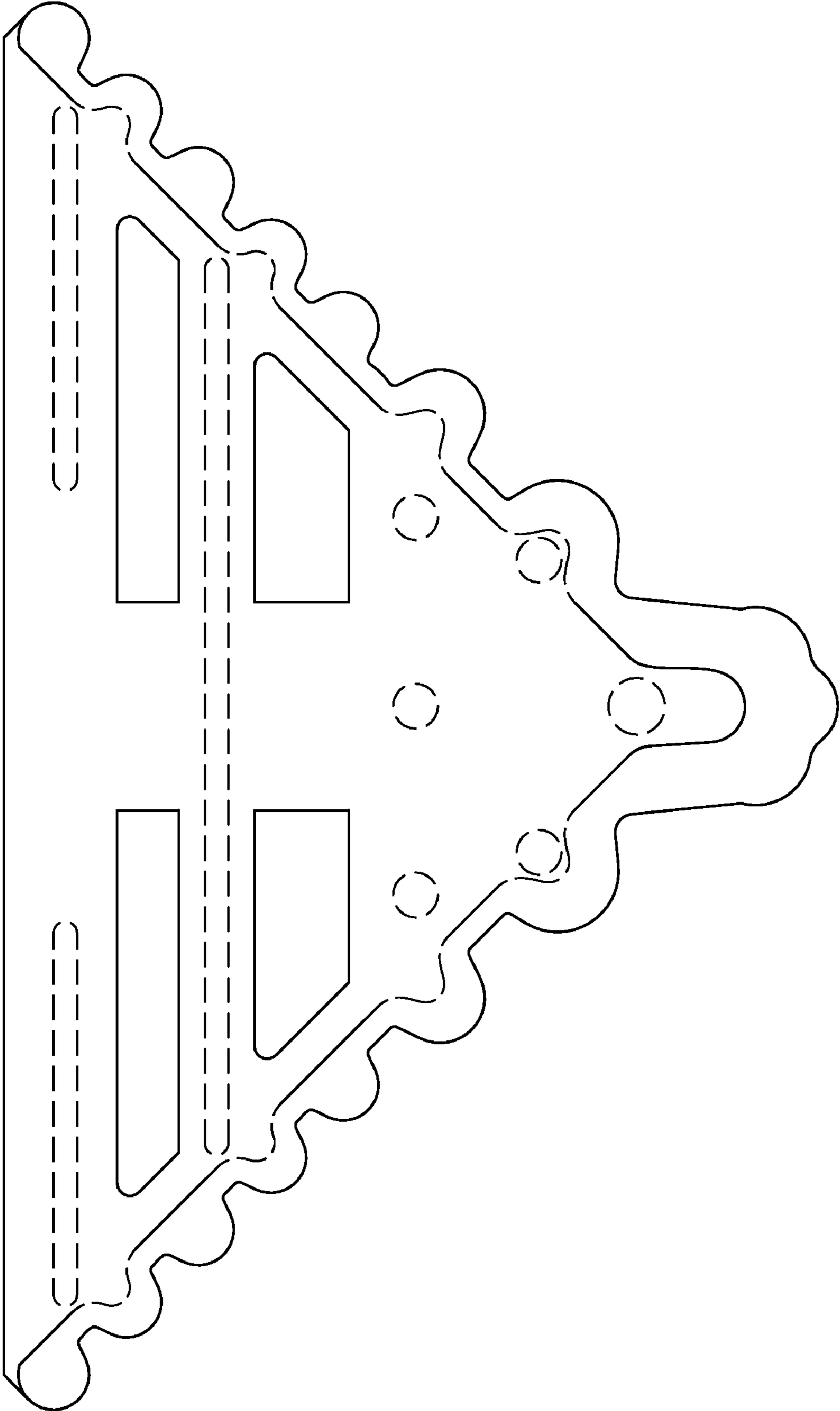


FIG. 4



**FIG. 5**

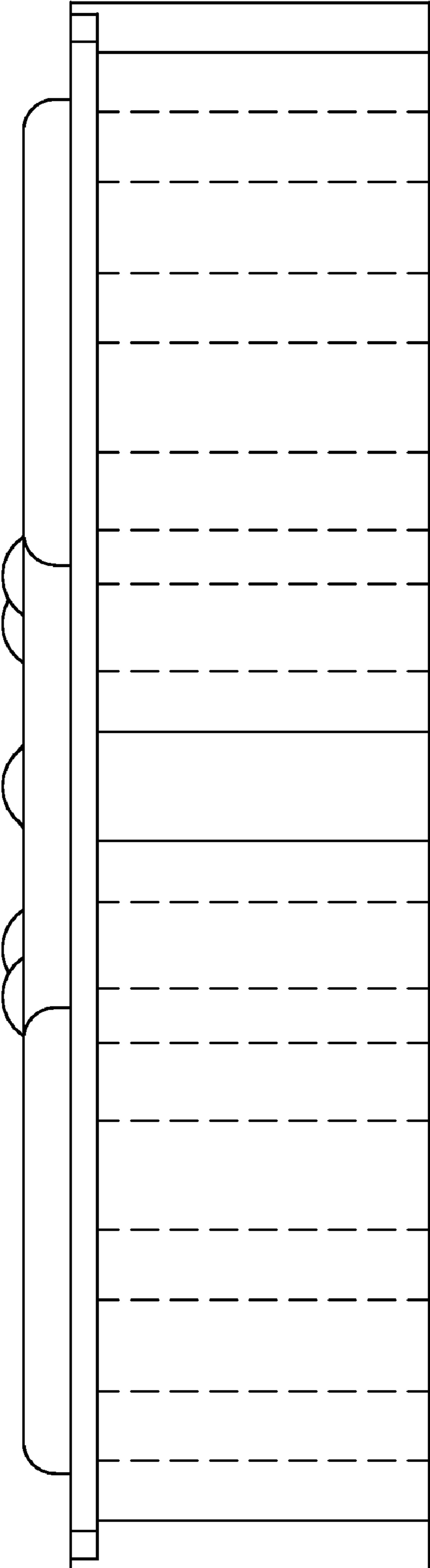


FIG. 6