

US00D598755S

(12) **United States Design Patent**
Bull

(10) **Patent No.:** **US D598,755 S**

(45) **Date of Patent:** **** Aug. 25, 2009**

(54) **CUP LID**

(75) **Inventor:** **Martin Carey Bull**, Attleborough (GB)

(73) **Assignee:** **Obrist Closures Switzerland GmbH**
(CH)

(**) **Term:** **14 Years**

(21) **Appl. No.:** **29/318,703**

(22) **Filed:** **May 27, 2008**

(51) **LOC (9) Cl.** **09-07**

(52) **U.S. Cl.** **D9/454**

(58) **Field of Classification Search** D9/694,
D9/573, 560, 554, 529, 504, 503, 502, 456,
D9/454, 453, 451, 447, 445, 444, 435, 432,
D9/428, 425, 424, 418; D7/629, 396.2, 396.1,
D7/300; D3/323; D28/91, 82, 8.1; D26/6,
D26/23, 20; 431/291; 222/270, 142.9, 792,
222/266, 226, 212; 217/11; 206/520, 519,
206/508, 505

See application file for complete search history.

(56) **References Cited**

U.S. PATENT DOCUMENTS

D327,648 S * 7/1992 Cane D9/436

D447,418 S * 9/2001 Bezek et al. D9/504
D448,867 S * 10/2001 Manoccho et al. D26/9
D472,144 S * 3/2003 Hierzer et al. D9/435
D513,986 S * 1/2006 Healy et al. D9/445

FOREIGN PATENT DOCUMENTS

EM 000791017-0004 12/2007

* cited by examiner

Primary Examiner—Susan Bennett Hattan

(74) *Attorney, Agent, or Firm*—Bradley Arant Boult
cummings, LLP

(57) **CLAIM**

The ornamental design for a cup lid, substantially as shown
and described.

DESCRIPTION

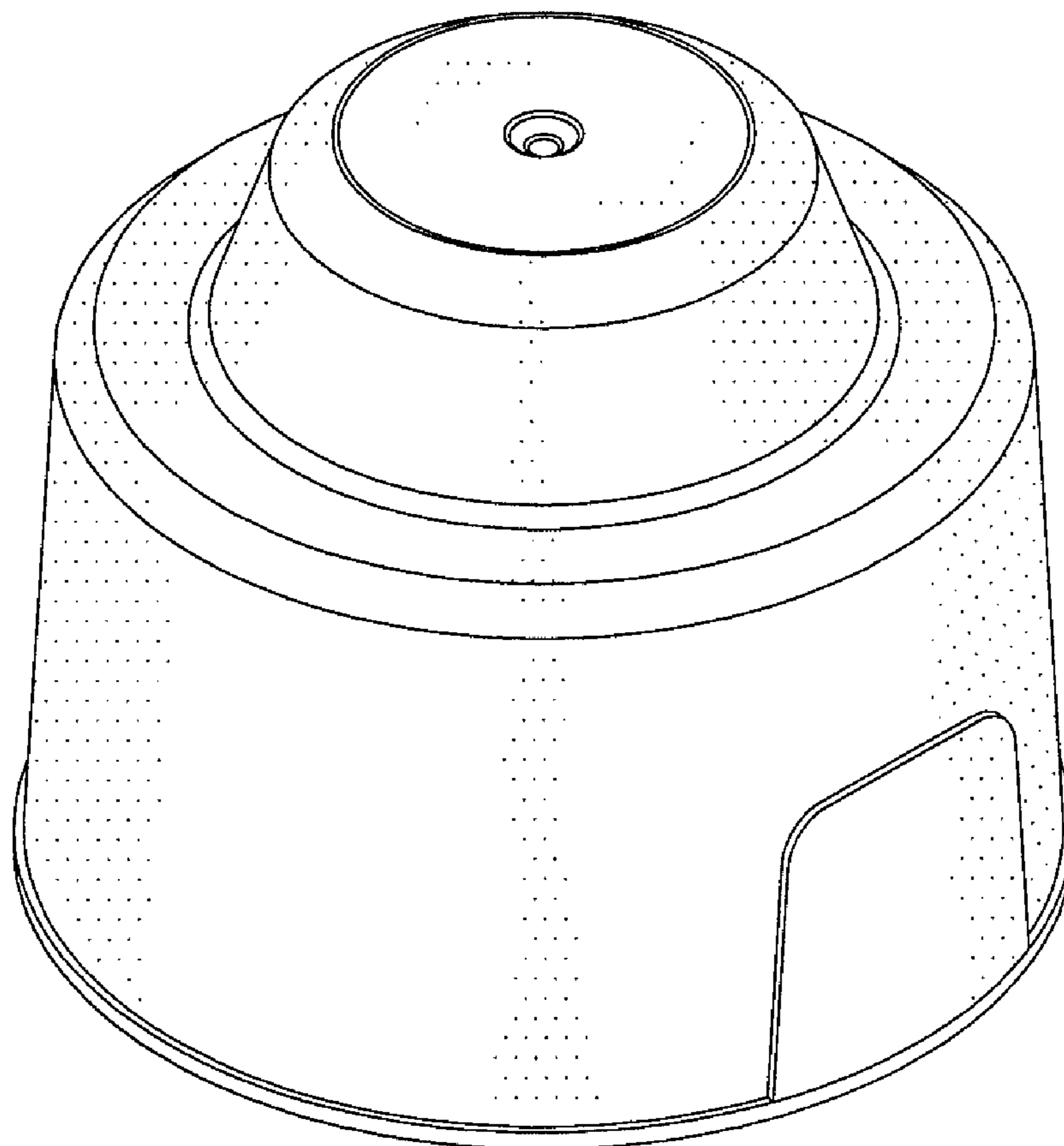
FIG. 1 is a perspective view of the cup lid.

FIG. 2 is an elevation view of the cup lid.

FIG. 3 is an elevation view of the cup lid; and,

FIG. 4 is a plan view of the cup lid.

1 Claim, 2 Drawing Sheets



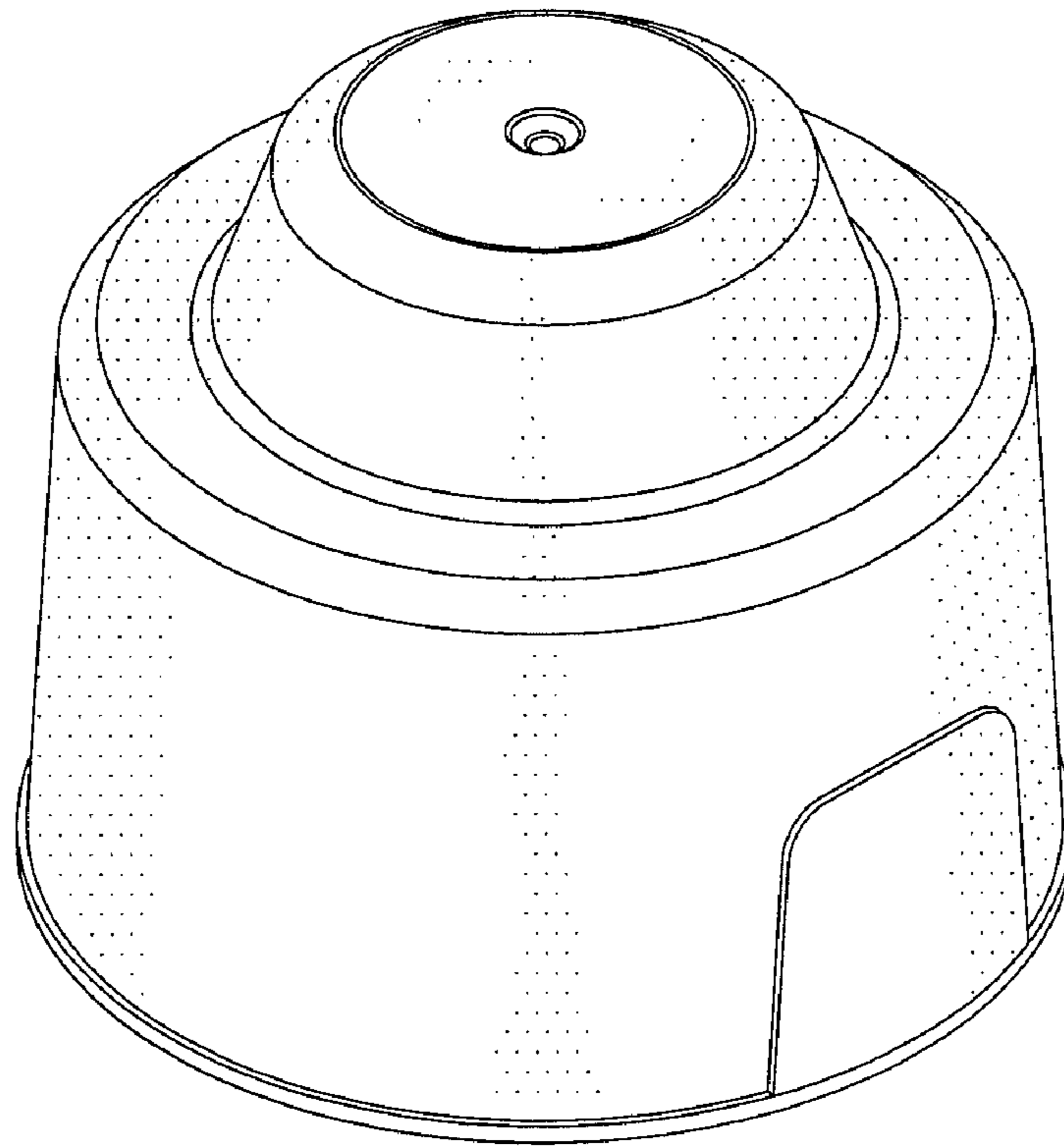


FIG. 1

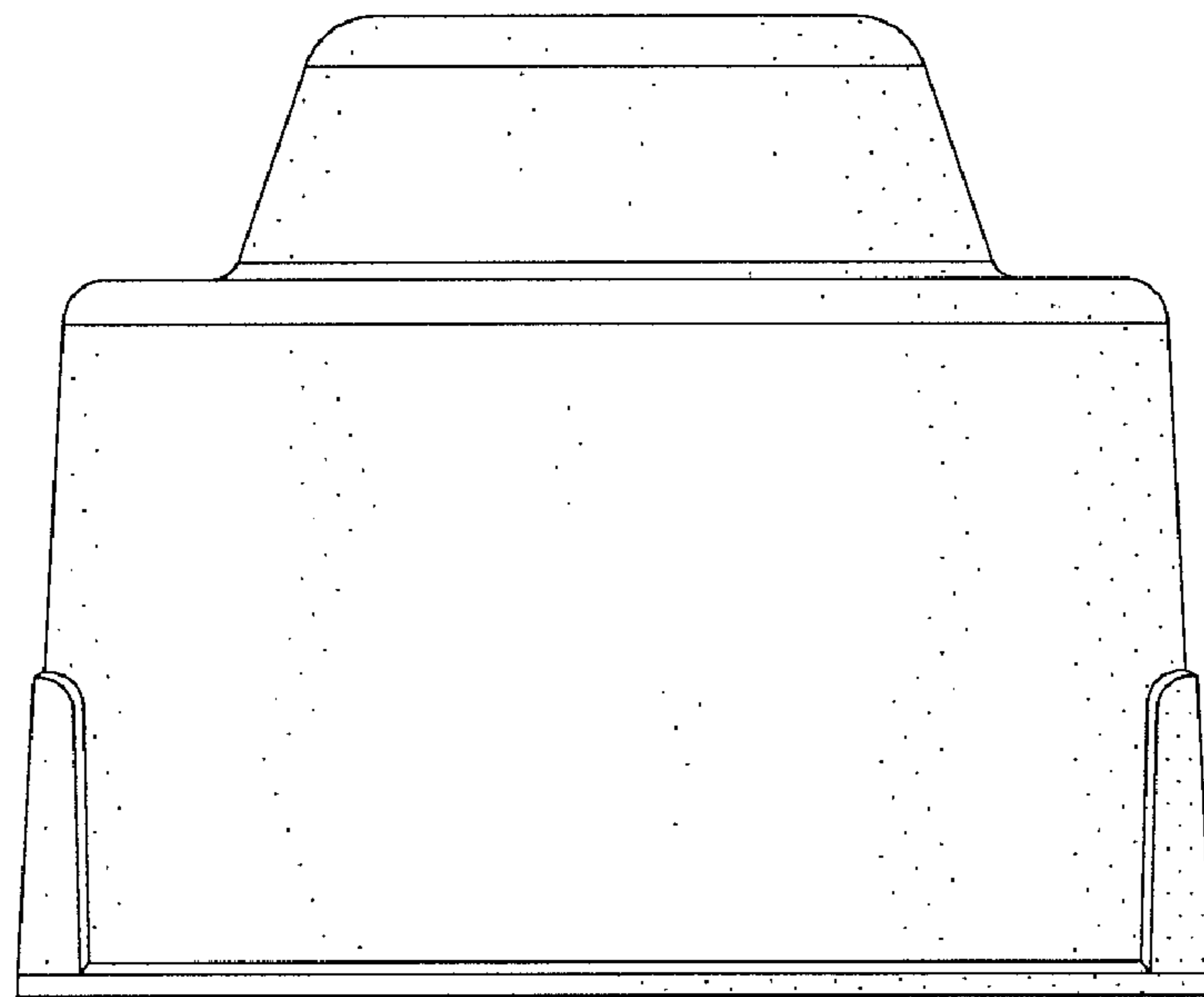


FIG. 2

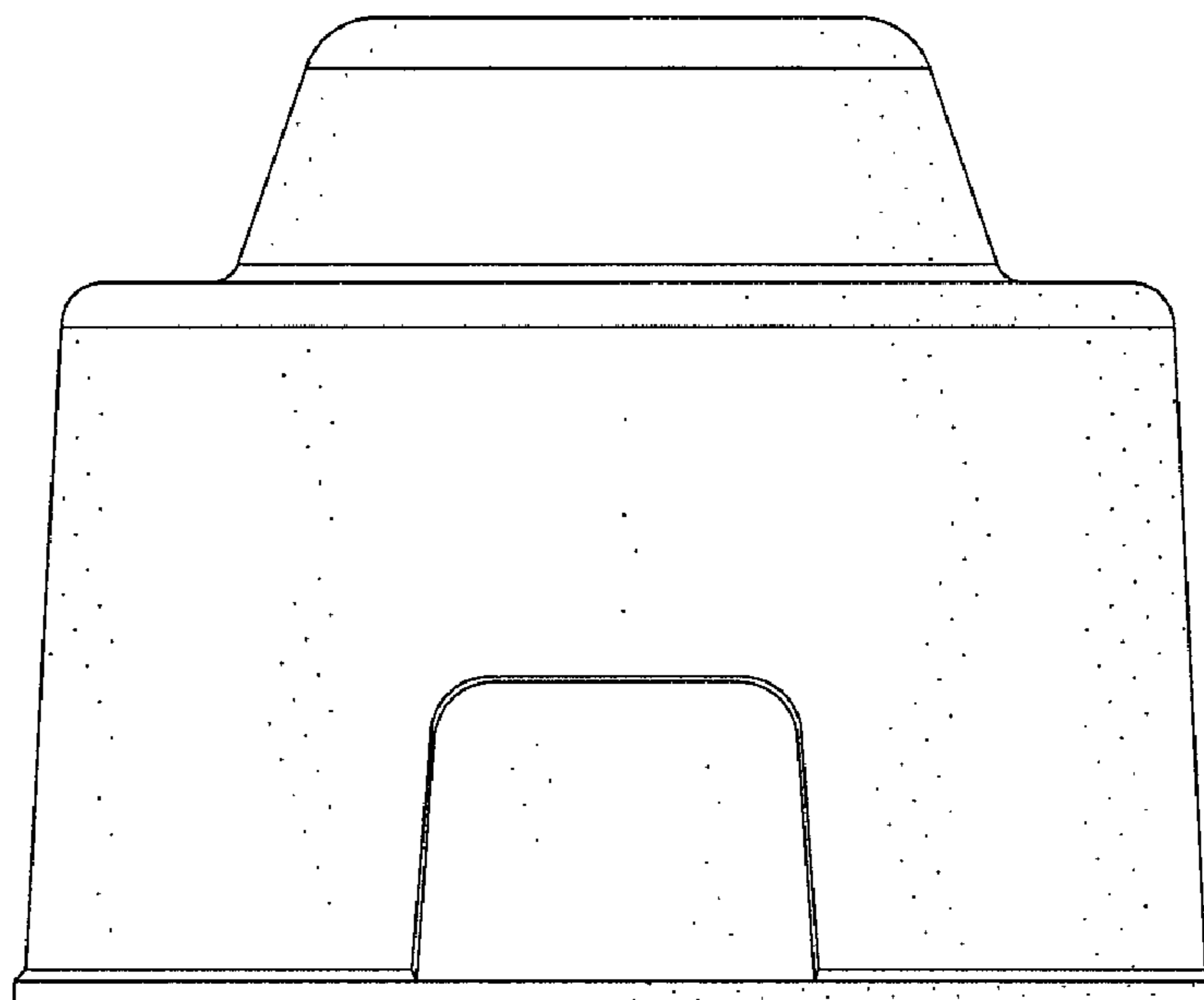


FIG. 3

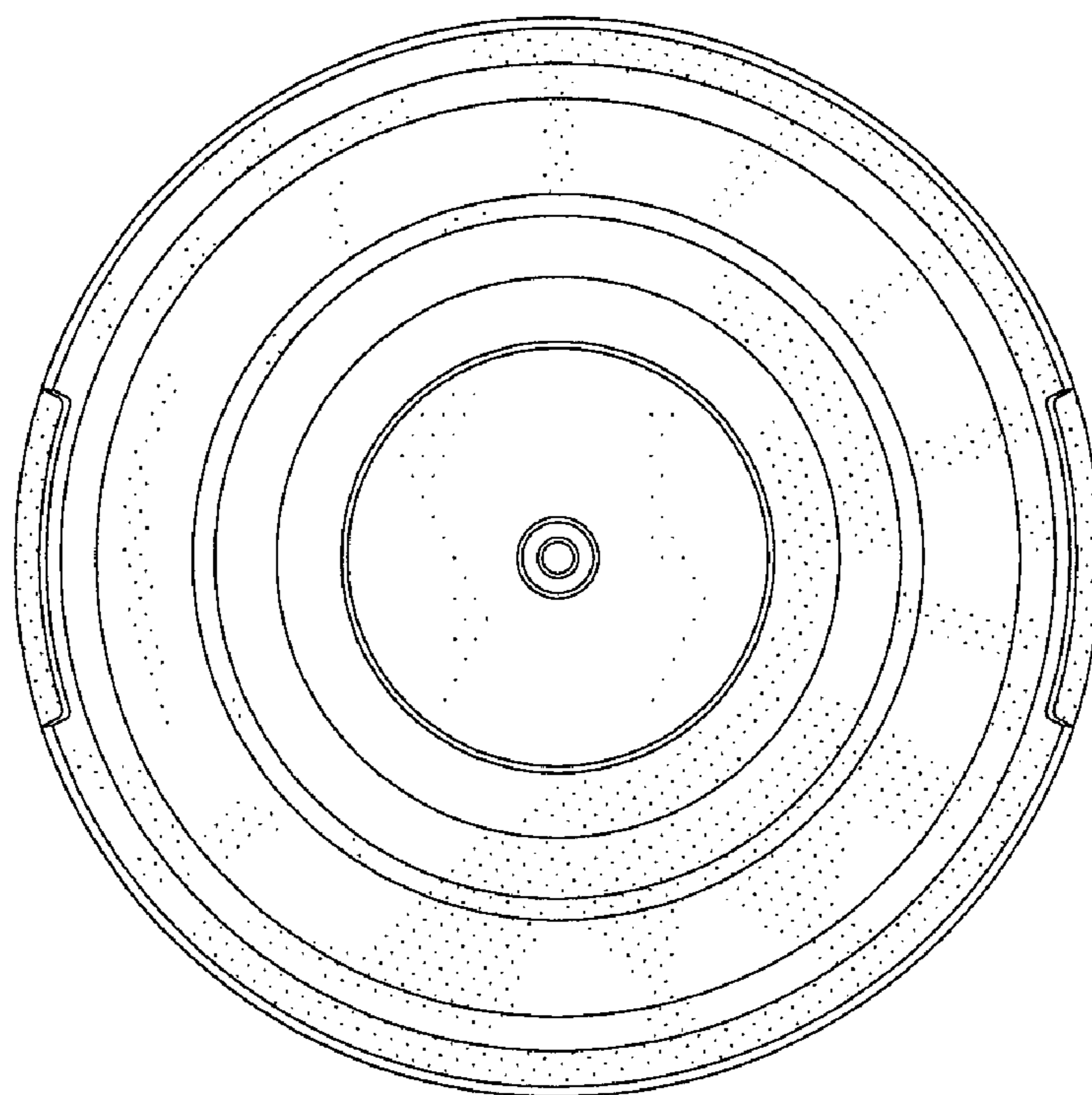


FIG. 4