



US00D598751S

(12) **United States Design Patent**
Tseng

(10) **Patent No.:** **US D598,751 S**

(45) **Date of Patent:** **** Aug. 25, 2009**

(54) **SPRAY NOZZLE**

7,222,802 B2 * 5/2007 Sweeton 239/333
D577,100 S * 9/2008 Brown et al. D23/213

(75) Inventor: **Kun-Lung Tseng**, Taichung Hsien (TW)

* cited by examiner

(73) Assignee: **Living Fountain Plastic Industrial Co., Ltd.**, Taichung County (TW)

Primary Examiner—Susan Bennett Hattan

(74) *Attorney, Agent, or Firm*—Egbert Law Offices

(**) Term: **14 Years**

(57) **CLAIM**

(21) Appl. No.: **29/327,200**

The ornamental design for a spray nozzle, as shown and described.

(22) Filed: **Oct. 31, 2008**

(51) **LOC (9) Cl.** **09-07**

(52) **U.S. Cl.** **D9/448**

(58) **Field of Classification Search** D9/686,
D9/685, 682, 448, 435, 434; D8/51; D23/226,
D23/213; 417/411; 239/428.5, 343, 337,
239/333, 215, 120; 222/402.11, 383.3, 383.1,
222/323, 1

See application file for complete search history.

DESCRIPTION

FIG. 1 is an upper perspective view of the spray nozzle showing my design.

FIG. 2 is front view thereof;

FIG. 3 is a back view thereof;

FIG. 4 is a side view thereof;

FIG. 5 is an opposite side view thereof;

FIG. 6 is a top plan view thereof;

FIG. 7 is a bottom plan view thereof;

FIG. 8 is a cross-sectional view thereof, taken in the direction of line 8—8 in FIG. 5.

FIG. 9 is an upper perspective view of the spray nozzle being placed on a spray bottle; and,

FIG. 10 is an upper perspective view of the spray nozzle in position on a spray bottle.

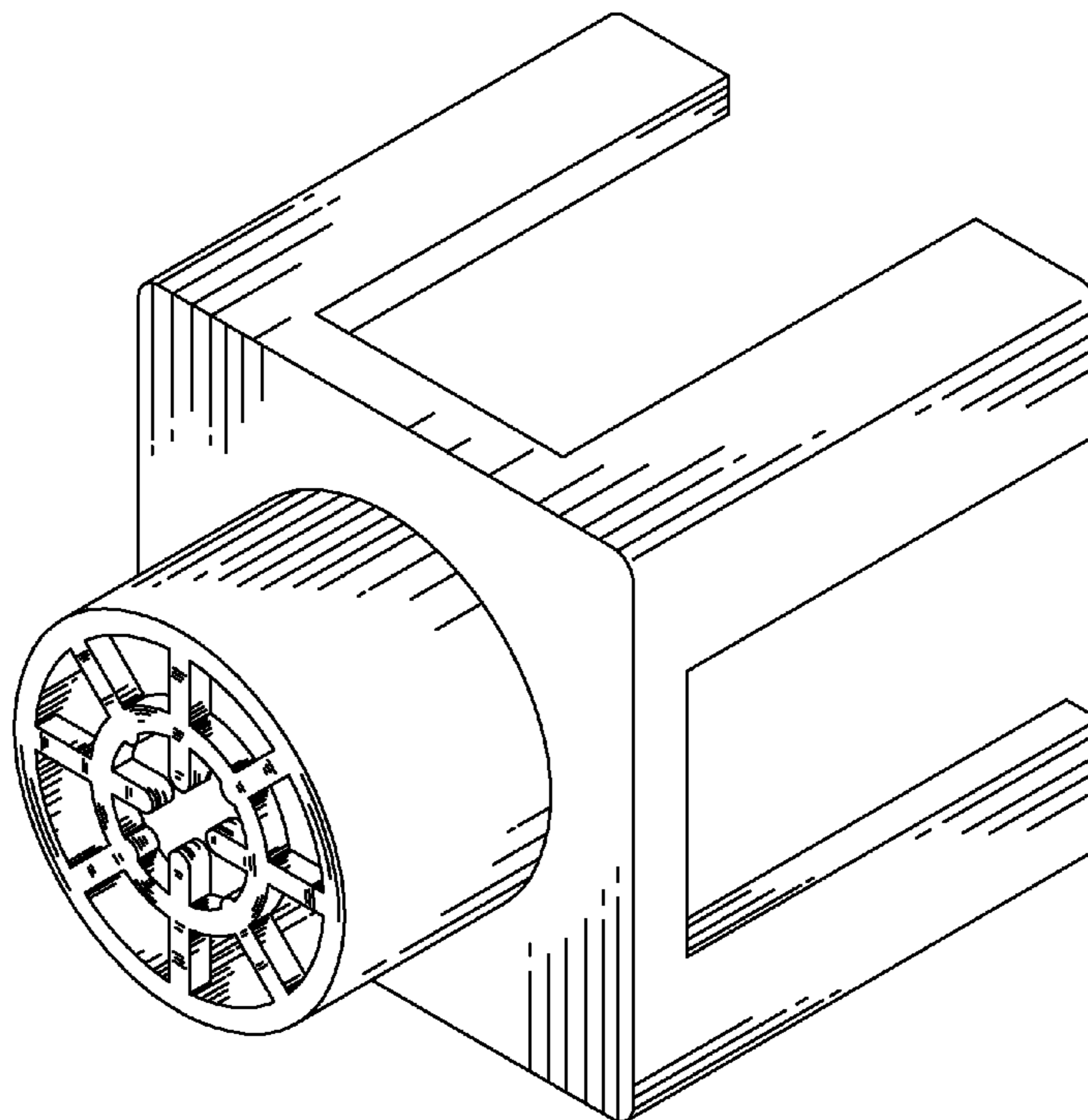
The broken lines in FIGS. 9 and 10 depict environmental subject matter only and form no part of the claimed design.

(56) **References Cited**

U.S. PATENT DOCUMENTS

- D256,720 S * 9/1980 Watson D23/213
- D294,681 S * 3/1988 McLean D9/448
- D294,682 S * 3/1988 McLean D9/448
- 4,779,803 A * 10/1988 Corsette 239/428.5
- 4,890,792 A * 1/1990 Martin et al. 239/343
- 5,161,716 A * 11/1992 Knickerbocker 239/333
- D407,975 S * 4/1999 Lund et al. D9/434
- D425,420 S * 5/2000 Klima et al. D9/448
- D450,241 S * 11/2001 Erhardt et al. D9/434
- D492,598 S * 7/2004 Foster et al. D9/448

1 Claim, 7 Drawing Sheets



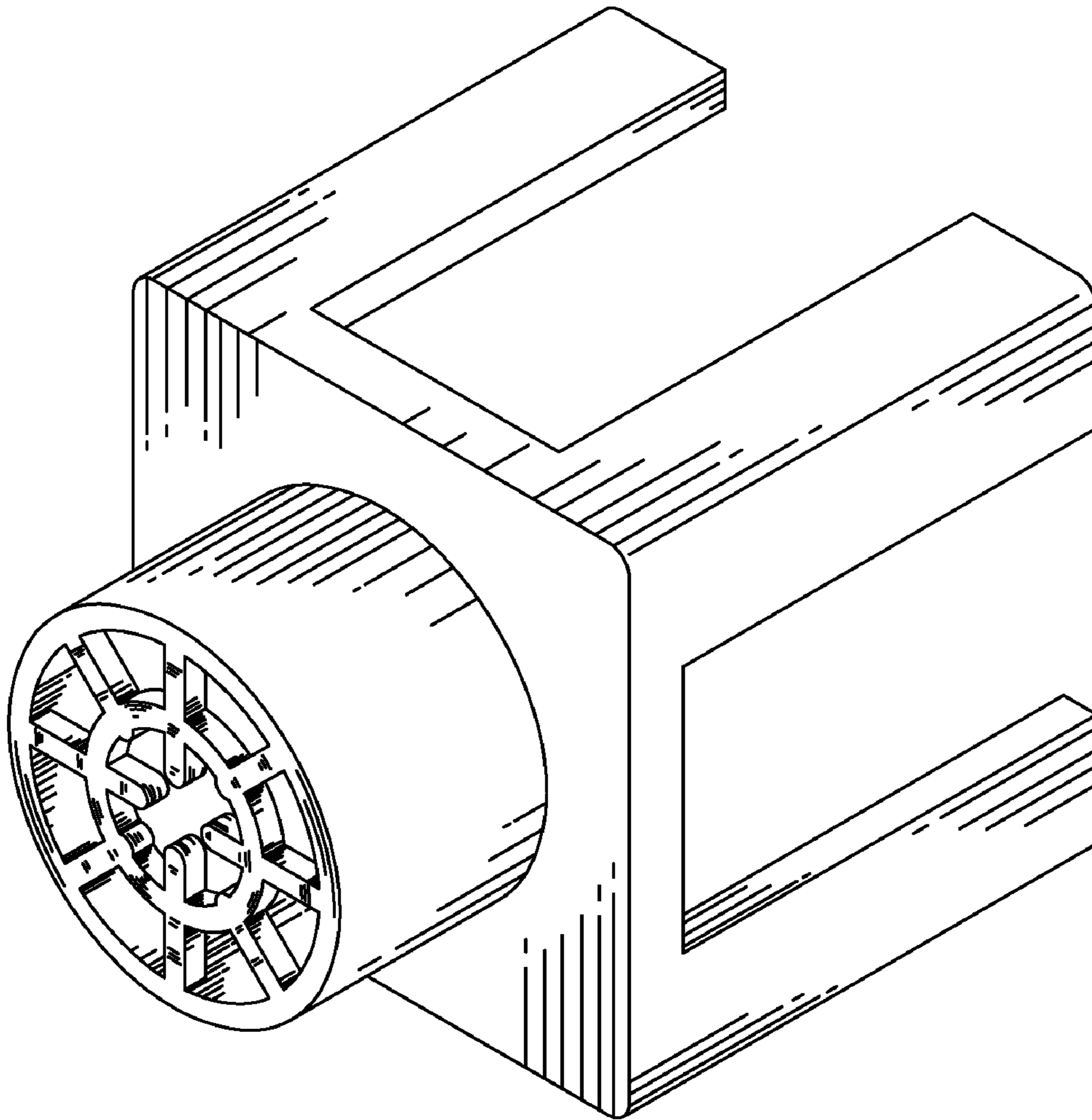


FIG.1

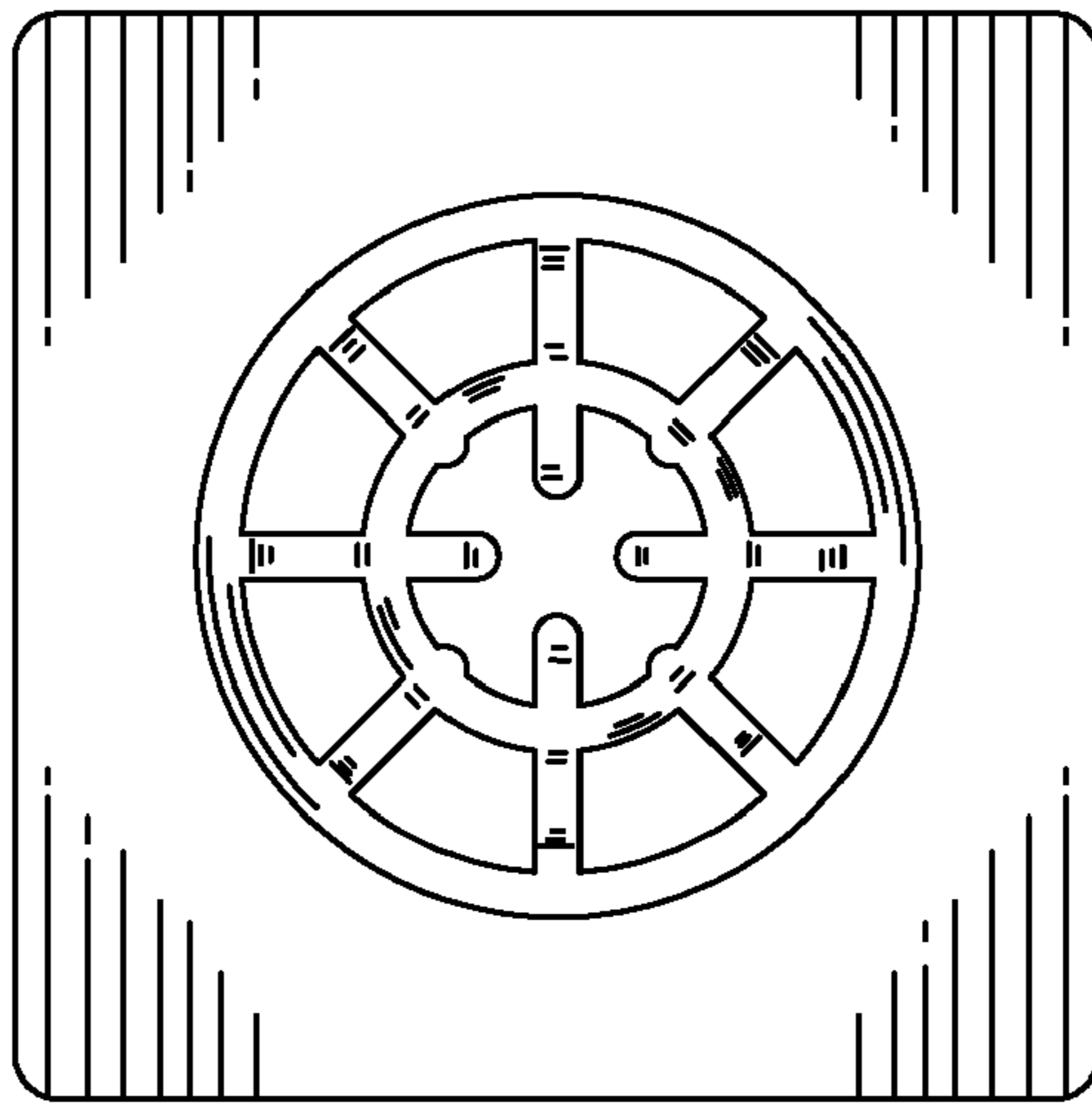


FIG. 2

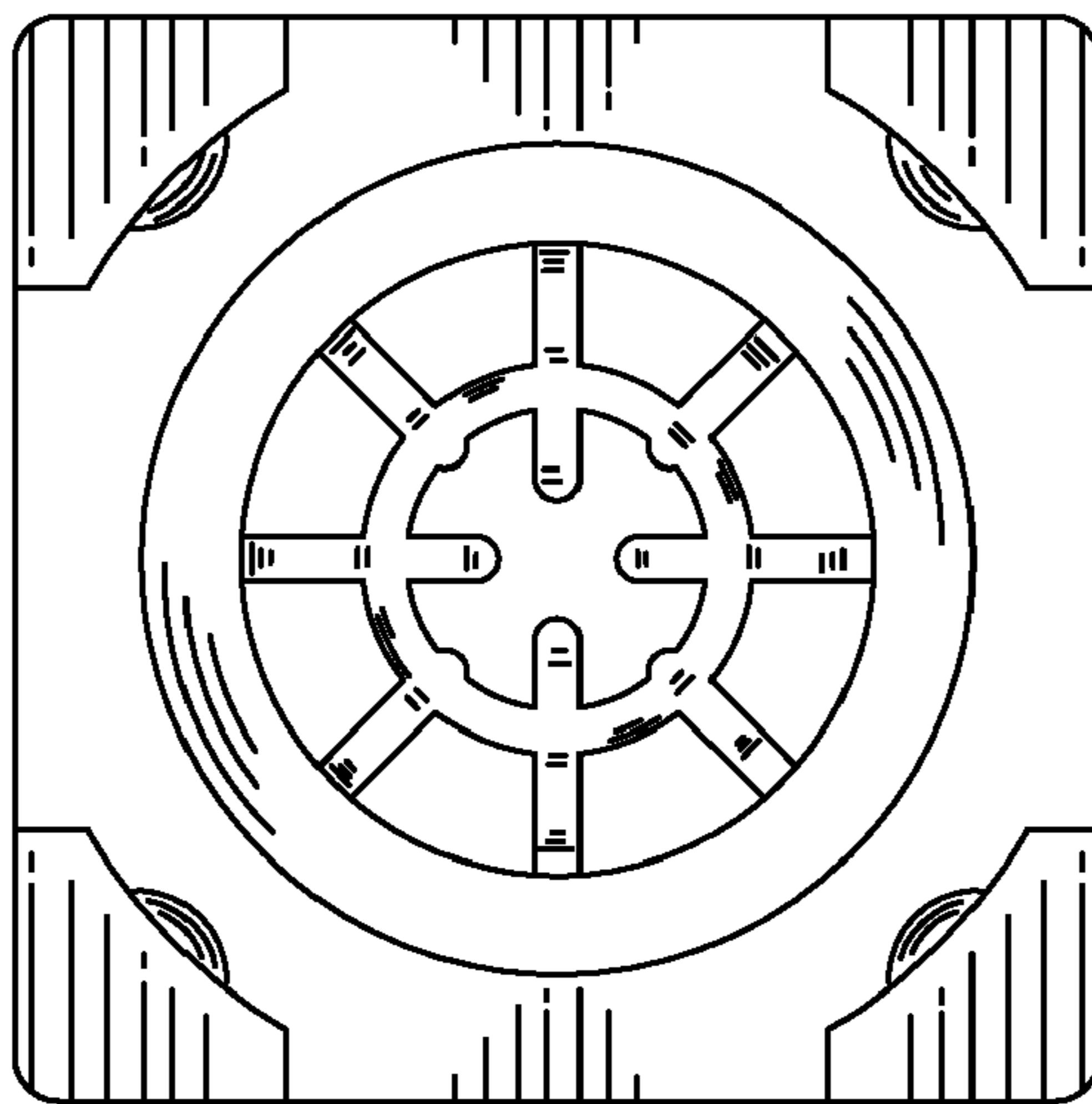


FIG. 3

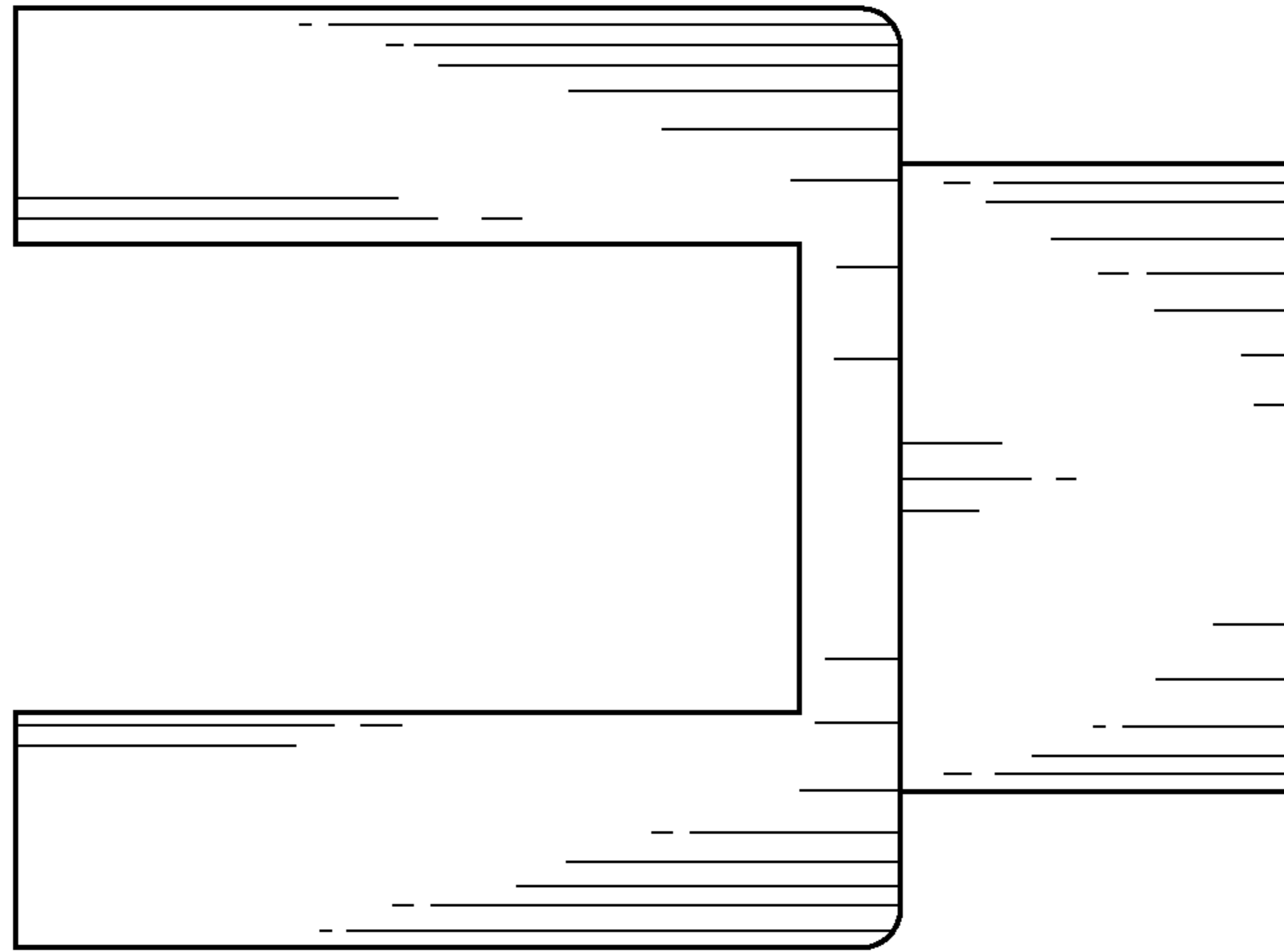


FIG. 4

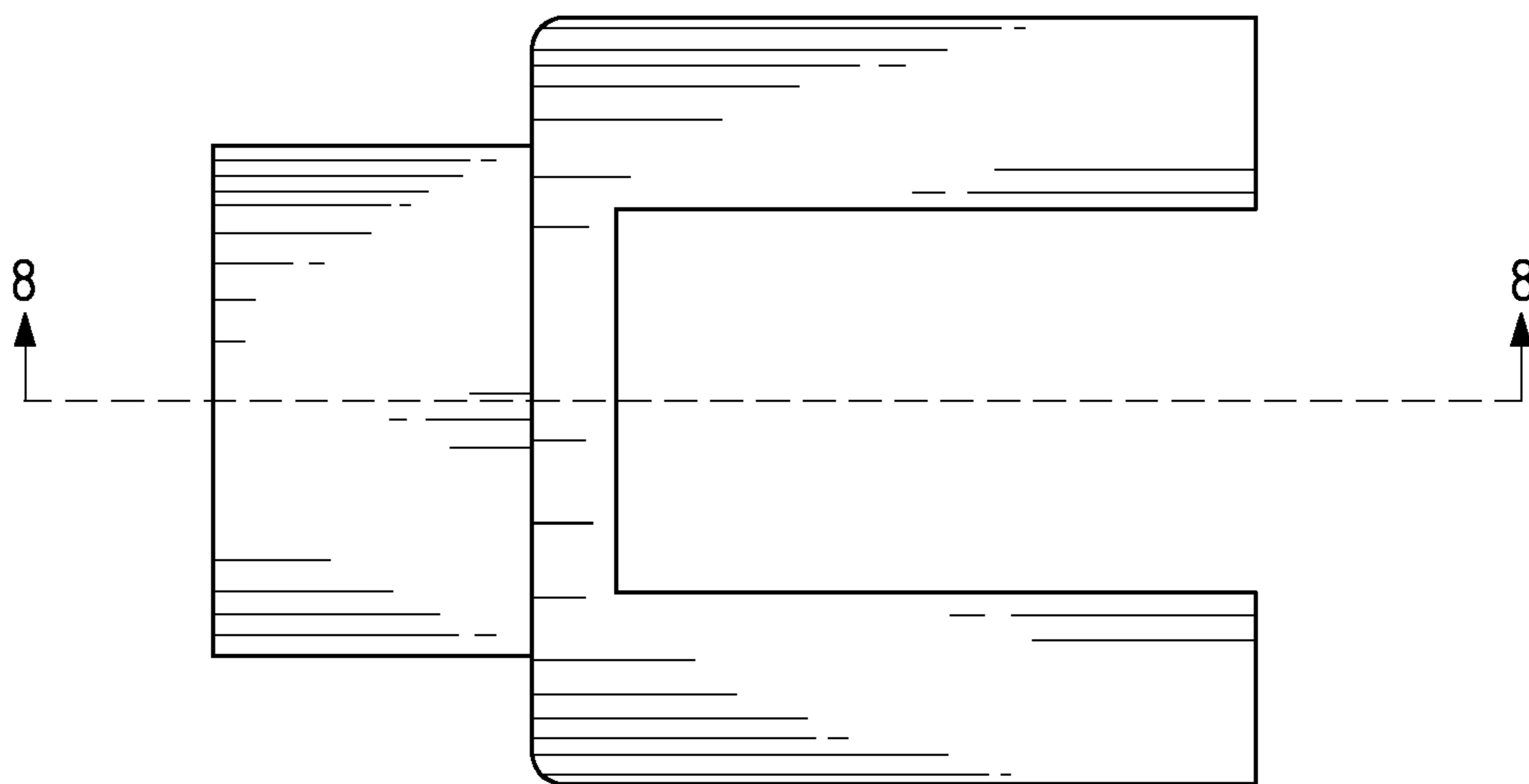


FIG. 5

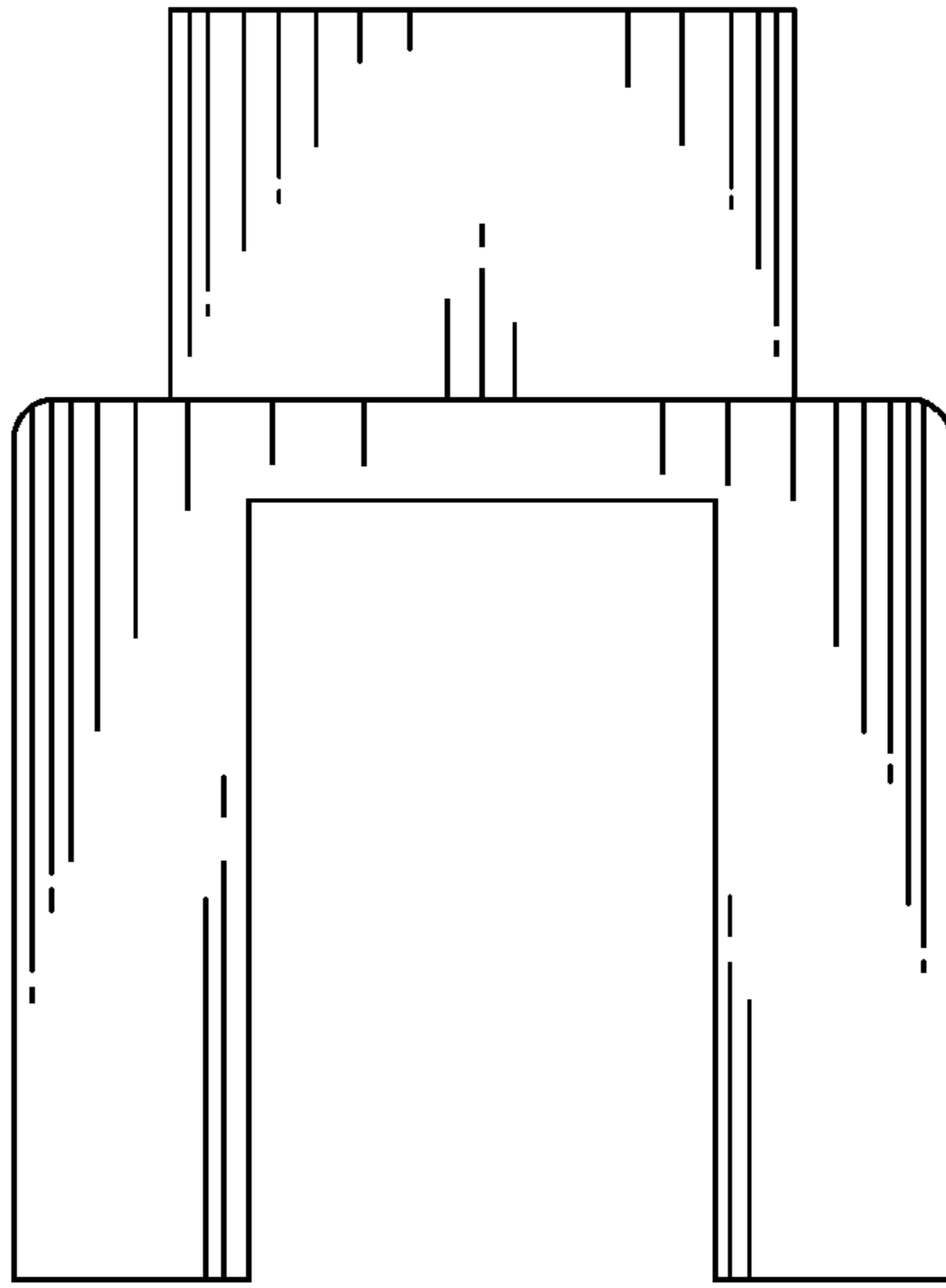


FIG. 6

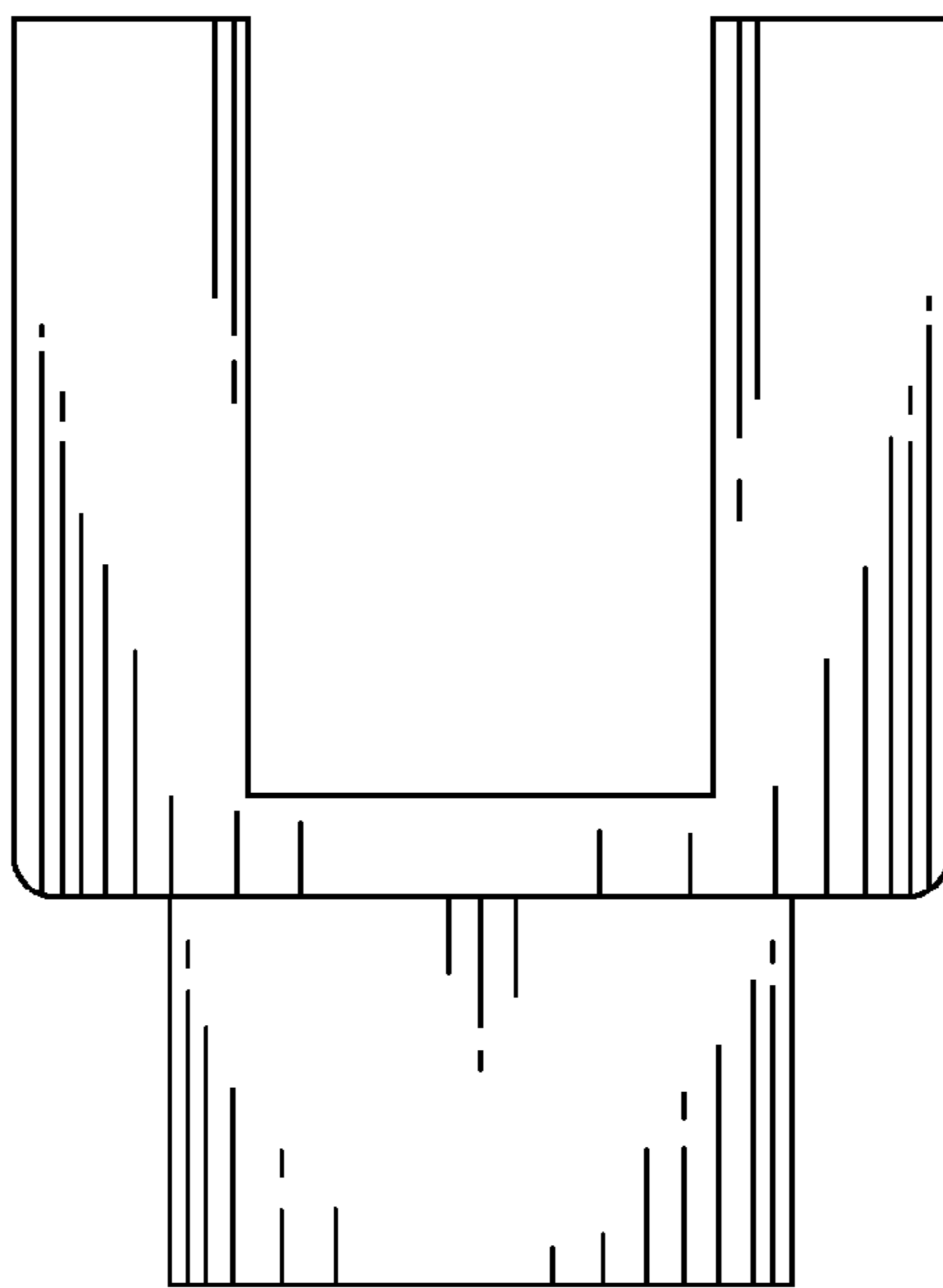


FIG. 7

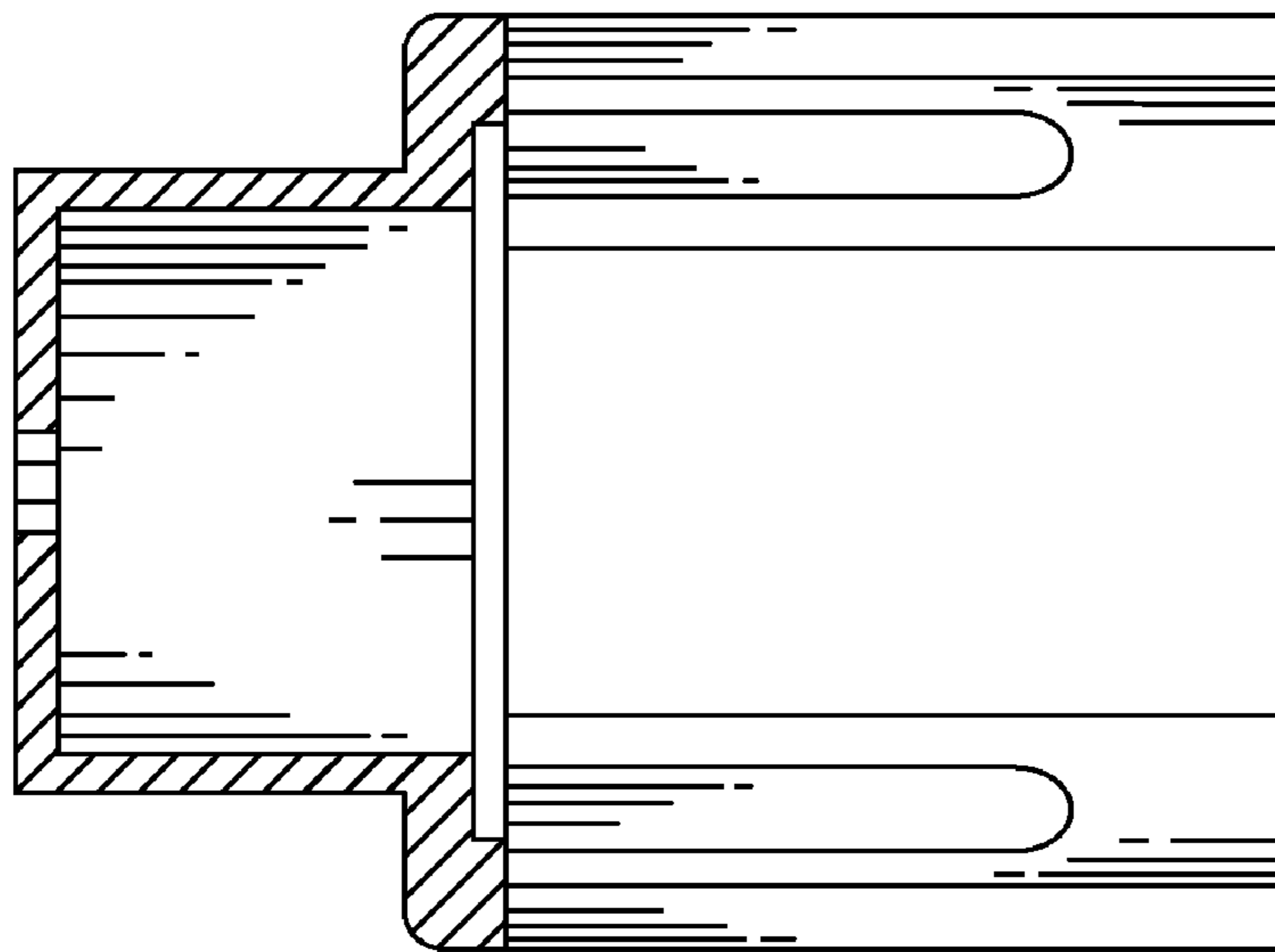


FIG.8

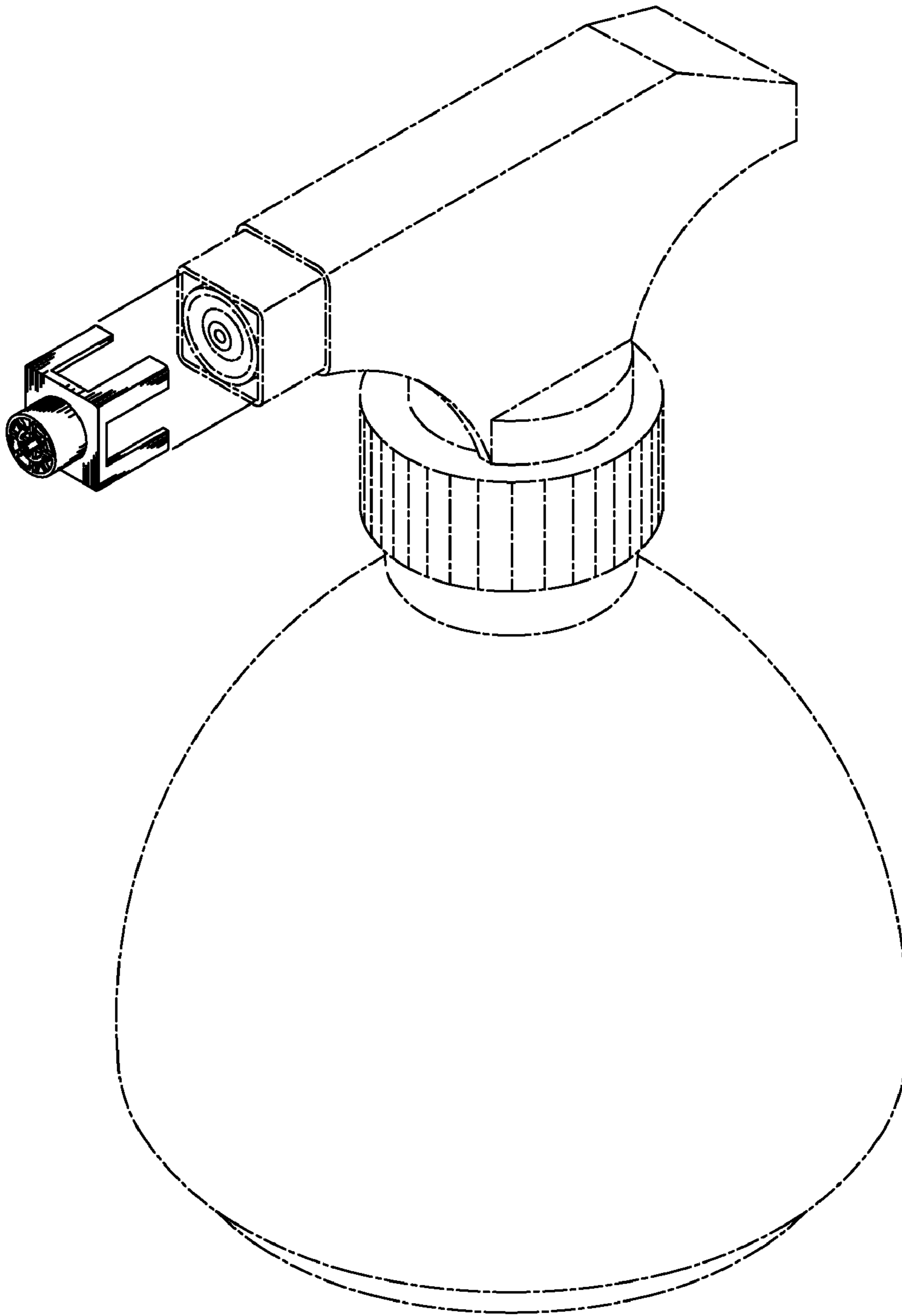


FIG. 9

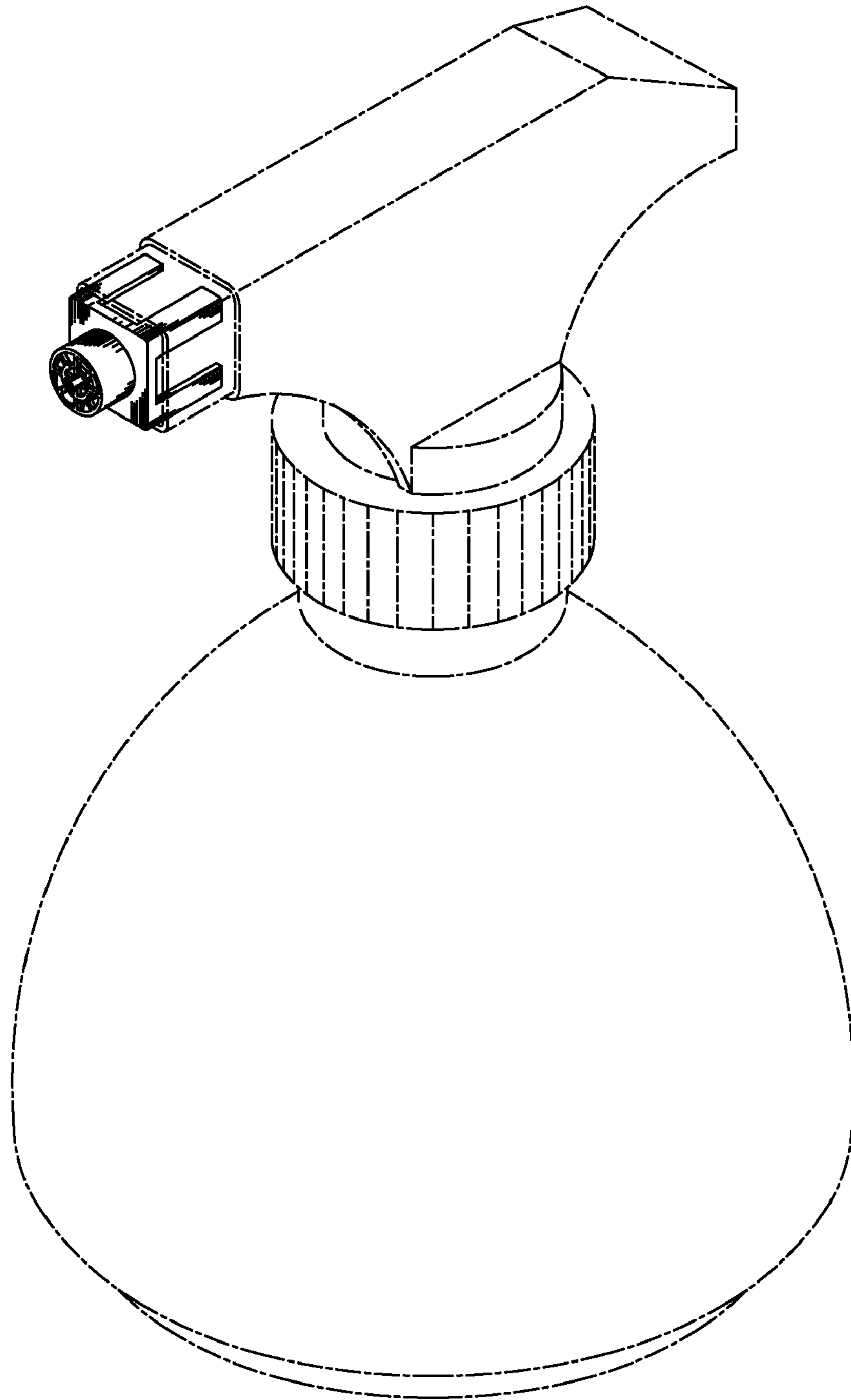


FIG.10