



US00D598750S

(12) **United States Design Patent**
Boes et al.

(10) **Patent No.:** **US D598,750 S**

(45) **Date of Patent:** **** Aug. 25, 2009**

(54) **DISPENSING HEAD**

(75) Inventors: **Erwin Boes**, Wijchen (NL); **Markus F. Brouwer**, Heesch (NL); **Eelco Han de Man**, Vlijmen (NL)

(73) Assignee: **MeadWestvaco Calmar, Inc.**, Grandview, MO (US)

(**) Term: **14 Years**

(21) Appl. No.: **29/324,643**

(22) Filed: **Sep. 17, 2008**

(51) **LOC (9) Cl.** **09-07**

(52) **U.S. Cl.** **D9/448**

(58) **Field of Classification Search** D9/690,
D9/688, 686, 453, 450, 449, 448, 447, 435;
D24/10; 222/547, 321.4-321.9, 153.13,
222/1

See application file for complete search history.

(56) **References Cited**

U.S. PATENT DOCUMENTS

D351,794 S *	10/1994	Foster	D9/448
D398,529 S *	9/1998	Mascitelli	D9/448
D470,043 S *	2/2003	Crawford	D9/682
D499,966 S *	12/2004	Arminak	D9/448
D507,486 S *	7/2005	Wang	D9/448
D524,166 S *	7/2006	Walther et al.	D9/682
D536,972 S *	2/2007	van der Heijden et al.	...	D9/448

D536,973 S *	2/2007	van der Heijden et al.	...	D9/448
D559,682 S *	1/2008	Meeker et al.	D9/448
D568,154 S *	5/2008	Arminak	D9/448
D574,707 S *	8/2008	Pietrowski et al.	D9/448
D588,005 S *	3/2009	Boes et al.	D9/448

* cited by examiner

Primary Examiner—Susan Bennett Hattan

(57) **CLAIM**

I claim an ornamental design for a dispensing head, as shown and described.

DESCRIPTION

FIG. 1 is a perspective view of a dispensing head showing our new design;

FIG. 2 is a side view of the dispensing head shown in FIG. 1;

FIG. 3 is a side view of the dispensing head shown in FIG. 1;

FIG. 4 is a front view of the dispensing head shown in FIG. 1;

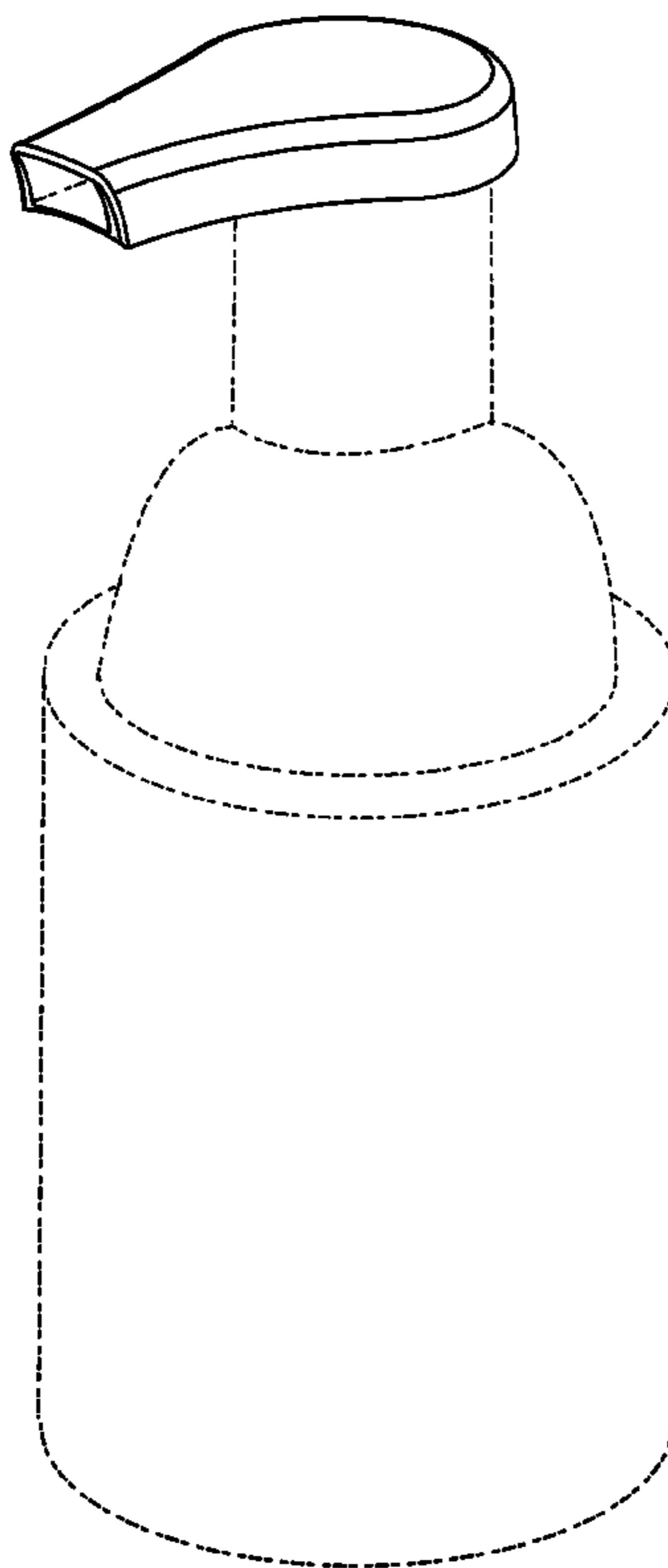
FIG. 5 is a rear view of the dispensing head shown in FIG. 1;

FIG. 6 is a top view of the dispensing head shown in FIG. 1; and,

FIG. 7 is a bottom view of the dispensing head shown in FIG. 1.

The broken lines in the drawings depict environmental subject matter only and form no part of the claimed design.

1 Claim, 5 Drawing Sheets



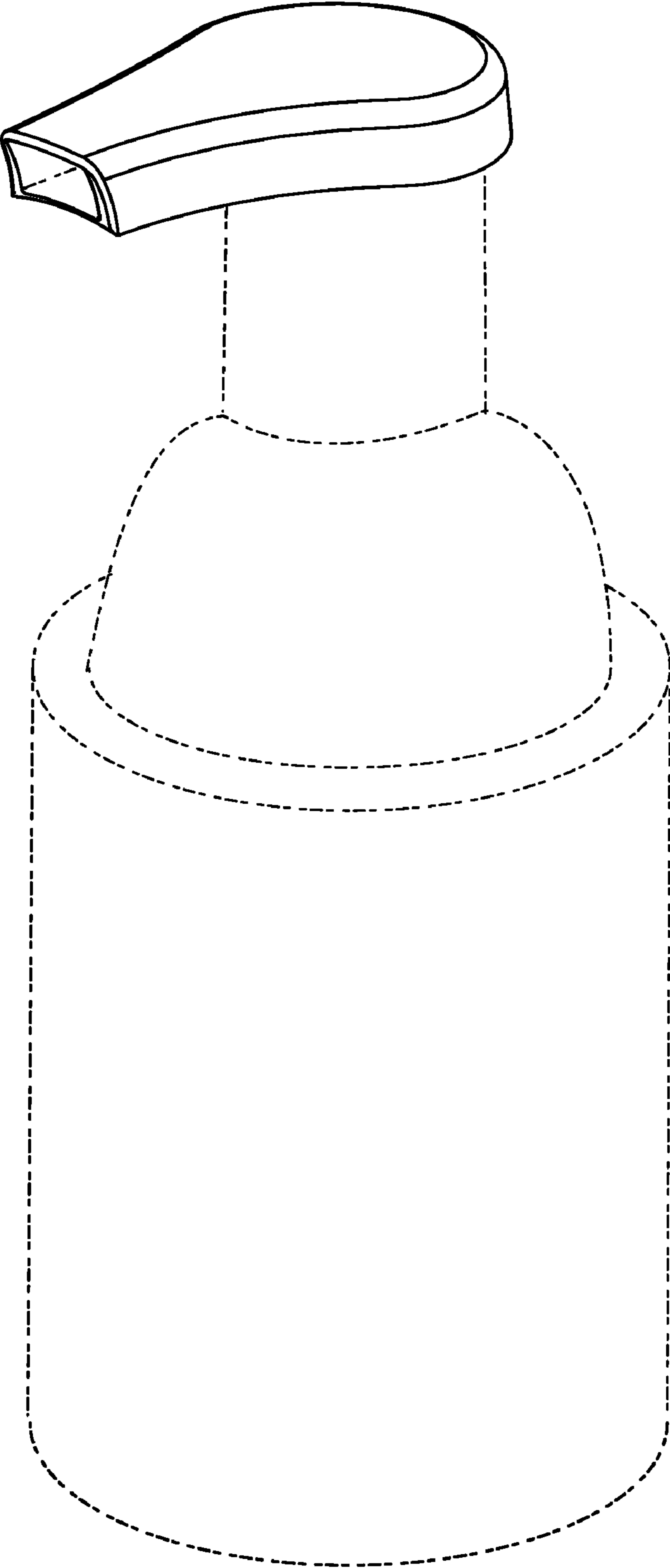


FIG. 1

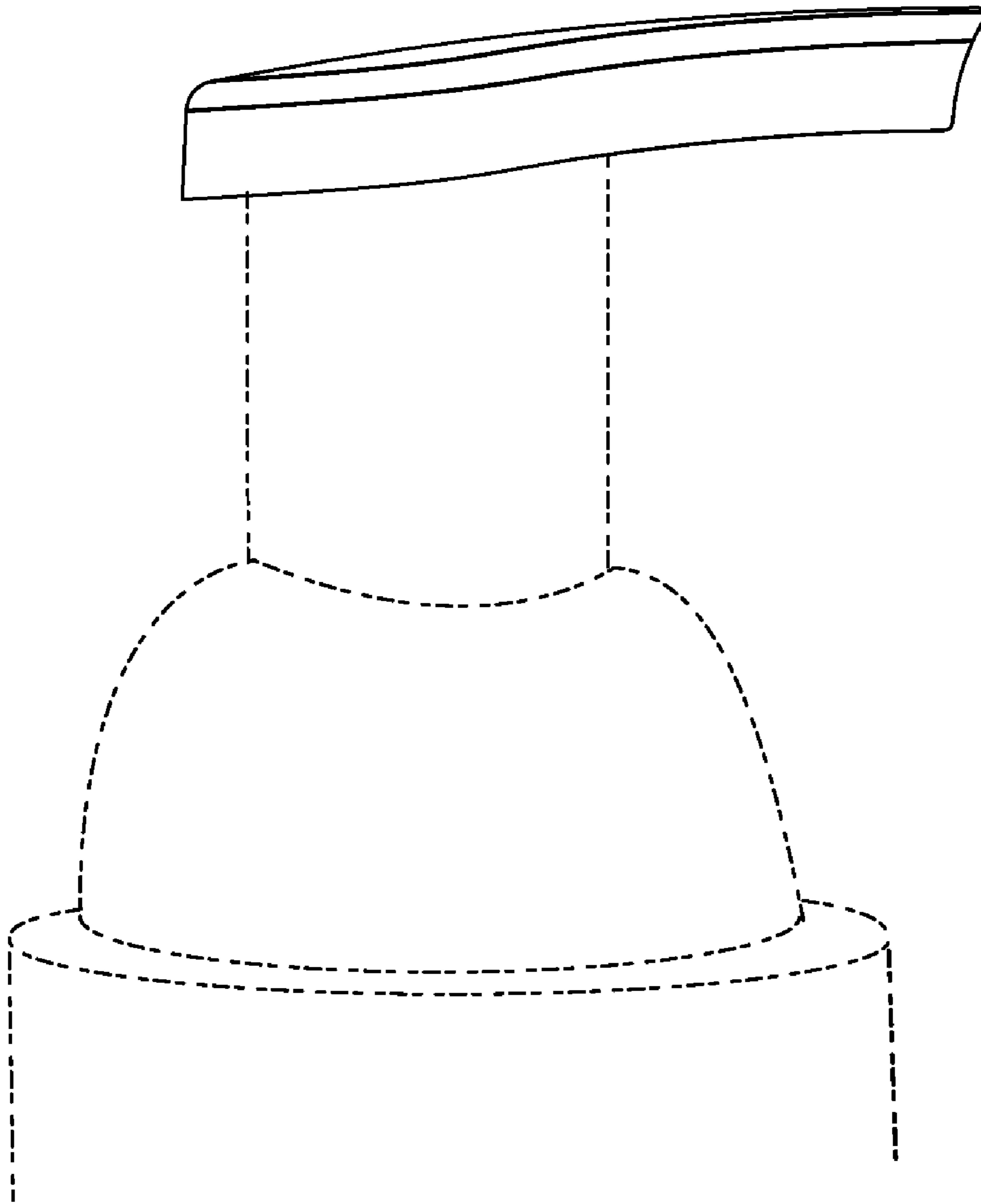


FIG. 2

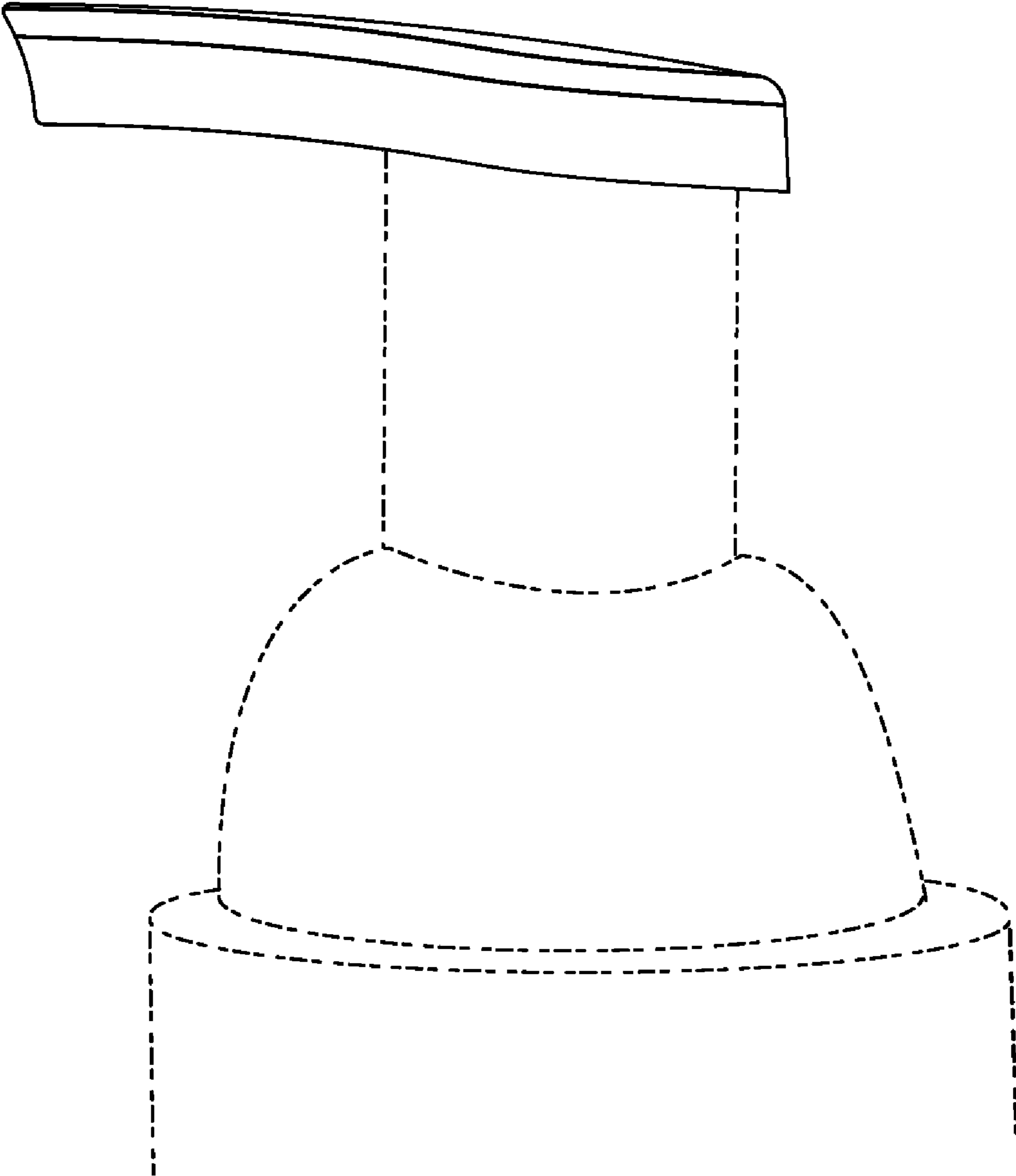


FIG. 3

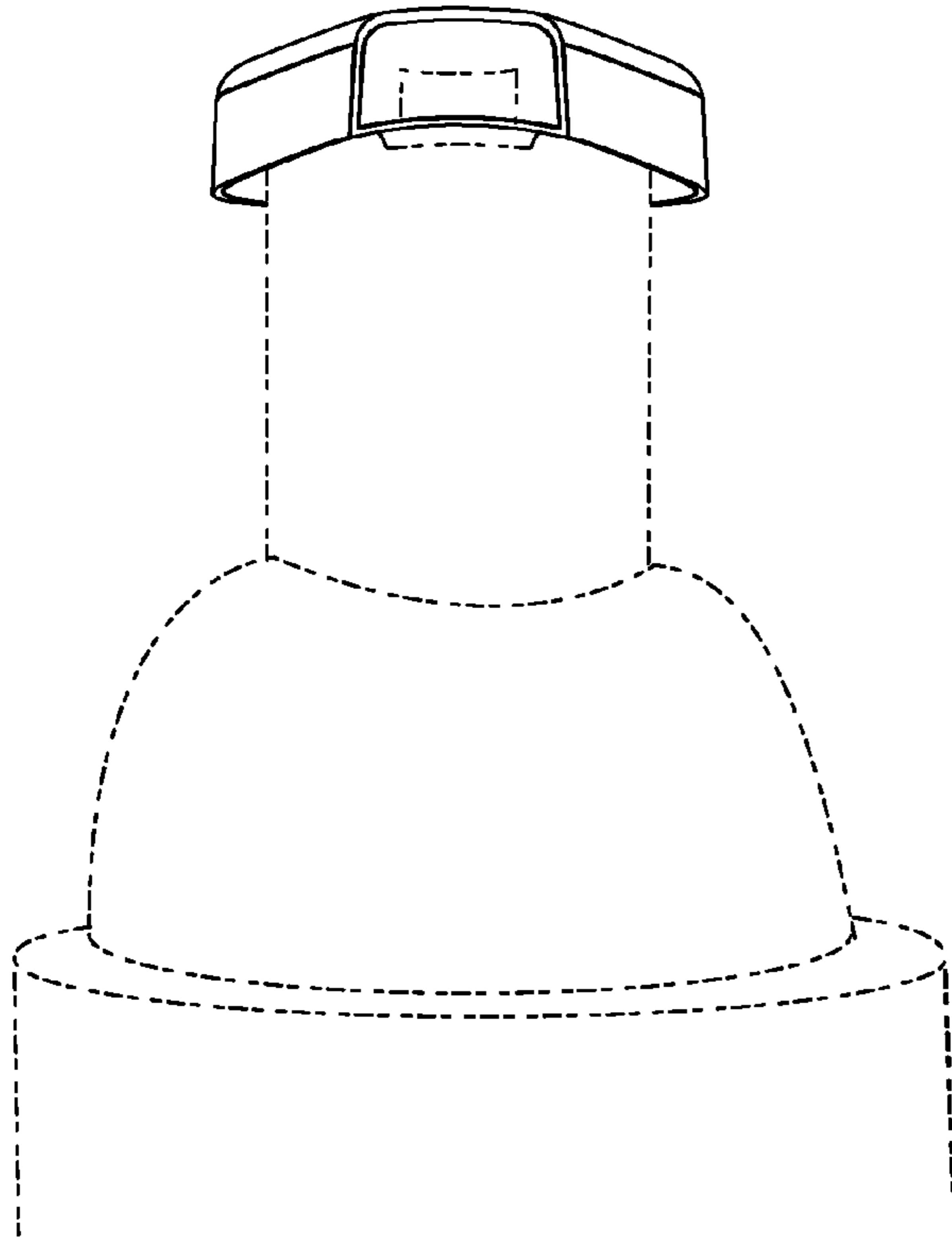


FIG. 4

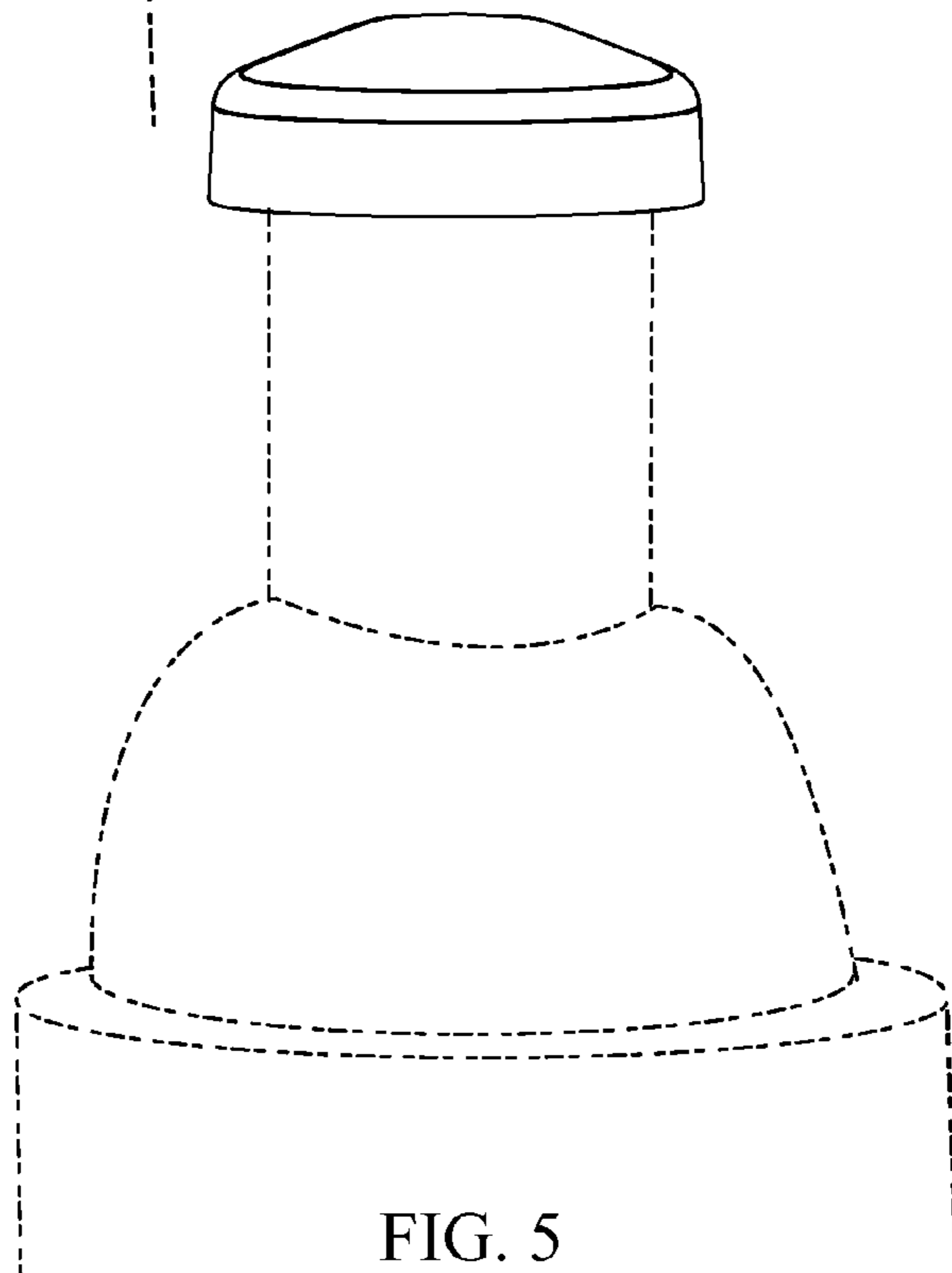


FIG. 5

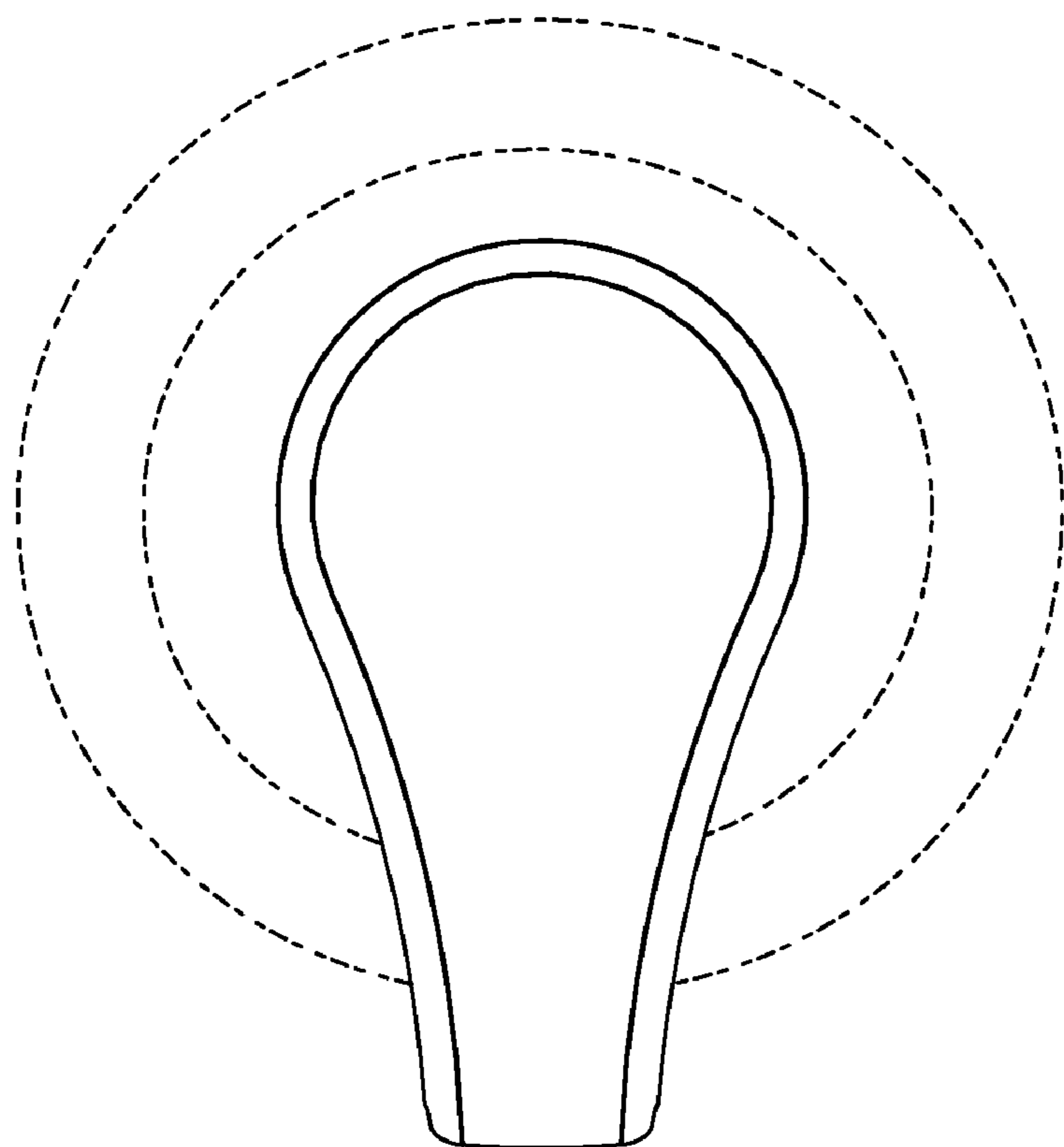


FIG. 6

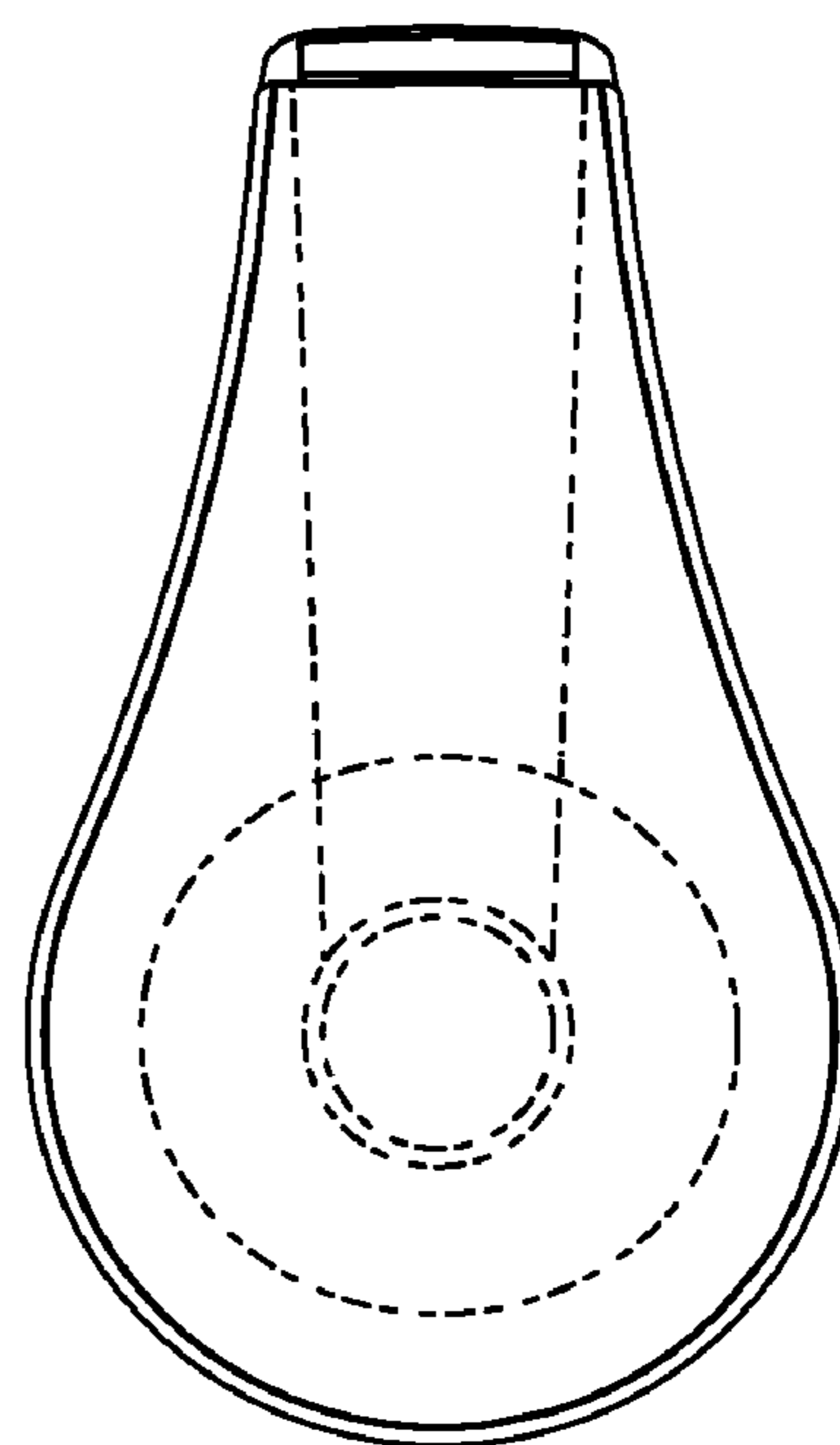


FIG. 7