



US00D598744S

(12) **United States Design Patent**
Shields

(10) **Patent No.:** **US D598,744 S**

(45) **Date of Patent:** **** *Aug. 25, 2009**

(54) **COMBINED POUCH AND TUB MIX**

(75) Inventor: **Frank Shields**, Nashville, TN (US)

(73) Assignee: **MARS, Incorporated**, McLean, VA (US)

(**) Term: **14 Years**

(21) Appl. No.: **29/331,522**

(22) Filed: **Jan. 27, 2009**

1,994,214 A *	3/1935	Frost	229/125.015
D103,562 S	3/1937	Cook		
D113,440 S	2/1939	Salfisberg		
D115,526 S	7/1939	Salfisberg		
D130,224 S	11/1941	Guttman		
D134,061 S	10/1942	Salfisberg		
D137,262 S	2/1944	Hiemenz		

(Continued)

OTHER PUBLICATIONS

U.S. Appl. No. 29/287,518, filed Aug. 17, 2007, by Beyer et al., entitled "Vacuum Package".

(Continued)

Primary Examiner—Philip S Hyder
Assistant Examiner—Susan E Krakower
(74) *Attorney, Agent, or Firm*—Arent Fox LLP

Related U.S. Application Data

(62) Division of application No. 29/287,522, filed on Aug. 17, 2007, now Pat. No. Des. 587,568.

(51) **LOC (9) Cl.** **09-03**

(52) **U.S. Cl.** **D9/428; D9/425**

(58) **Field of Classification Search** D9/414-415, D9/418, 423-429, 431-432, 435, 452-453, D9/515, 761; D7/354, 360, 504, 500, 538, D7/540, 543, 545, 550.1, 553.6, 554.2, 557, D7/565, 584-585, 602, 629, 672; D3/201, D3/203.1-203.3, 284, 294, 295, 304, 307-314; 220/4.21-4.24, 23.8, 23.87, 266, 276, 345, 220/377, 532-533, 655, 675, 781-784, 787, 220/790-791, 793, 835; 206/45.19, 45.32, 206/386, 425, 438, 470, 503, 508, 509, 511, 206/518-521, 541, 555, 558, 560, 564, 625, 206/643; 229/120, 125, 406; 426/106, 119, 426/129, 234; 219/734

See application file for complete search history.

(57)

CLAIM

The ornamental design for a combined pouch and tub mix, as shown and described.

DESCRIPTION

FIG. 1 is a top perspective view of a combined pouch and tub mix showing my new design;

FIG. 2 is a top view of the design shown in FIG. 1;

FIG. 3 is a bottom view of the design shown in FIG. 1; and,

FIG. 4 is a side view of the design shown in FIG. 1.

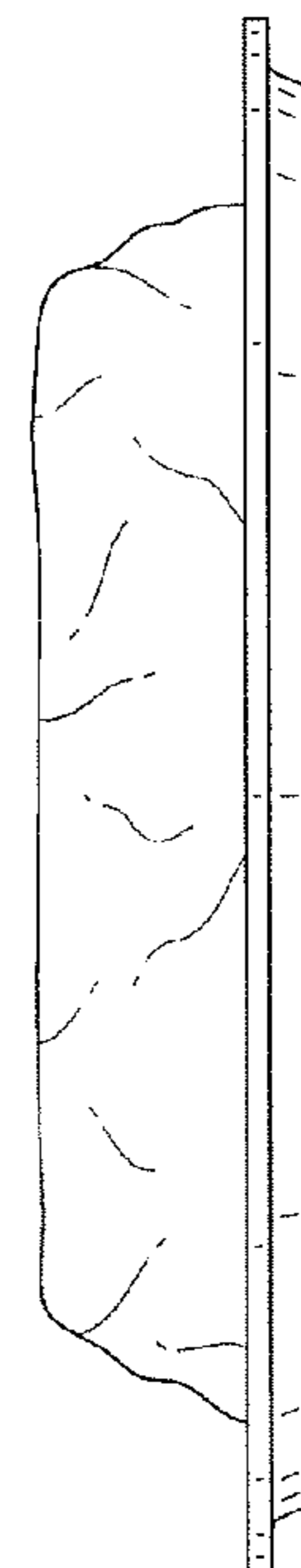
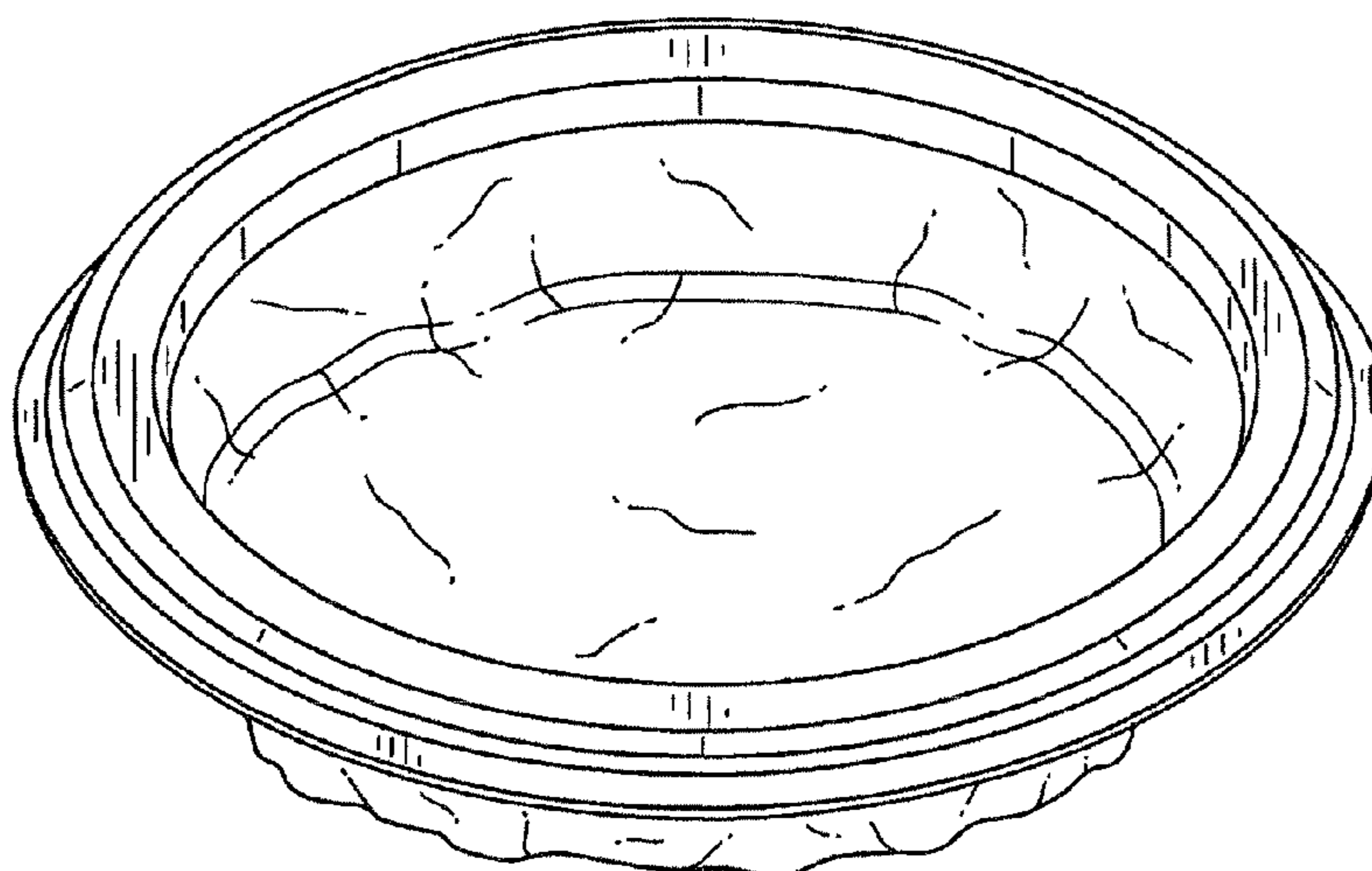
(56)

References Cited

U.S. PATENT DOCUMENTS

D87,540 S 8/1932 Picker

1 Claim, 3 Drawing Sheets



US D598,744 S

U.S. PATENT DOCUMENTS						
			6,494,619	B1 *	12/2002	Sulpizio 383/33
2,654,471	A	10/1953	D468,630	S	1/2003	Ambrose
2,973,006	A	2/1961	D469,120	S	1/2003	Maloney
D193,811	S	10/1962	D471,090	S	3/2003	Jones
D195,903	S	8/1963	D473,131	S	4/2003	Berman
3,122,296	A *	2/1964	D473,132	S	4/2003	Berman
D201,644	S	7/1965	D475,614	S	6/2003	Jones
3,229,886	A	1/1966	D475,915	S	6/2003	Lawrie et al.
3,294,224	A	12/1966	D477,992	S	8/2003	Dennis et al.
3,381,872	A	5/1968	D479,097	S *	9/2003	Willis D7/565
3,387,766	A	6/1968	D486,730	S	2/2004	Rasmussen
3,502,487	A	3/1970	6,783,016	B2 *	8/2004	Wang 220/9.2
3,623,653	A	11/1971	7,004,632	B2	2/2006	Hamilton et al.
3,650,461	A	3/1972	D522,374	S	6/2006	Nova et al.
D226,285	S	2/1973	D541,668	S	5/2007	Pokusa et al.
3,768,712	A	10/1973	D542,152	S	5/2007	Klis
D229,894	S	1/1974	D545,689	S	7/2007	Peel
D235,302	S *	6/1975	D551,567	S	9/2007	Berman
D242,900	S	1/1977	D555,009	S	11/2007	Lin
D250,880	S	1/1979	D558,594	S	1/2008	Kirou et al.
4,378,069	A	3/1983	D558,601	S	1/2008	Berman
4,543,279	A	9/1985	D565,907	S *	4/2008	de Groote et al. D7/601
4,602,394	A	7/1986	D577,606	S	9/2008	Friedland et al.
D285,412	S	9/1986	D577,607	S	9/2008	Friedland et al.
D289,269	S	4/1987	D578,010	S	10/2008	Friedland et al.
D297,306	S	8/1988	D578,011	S	10/2008	Friedland et al.
4,784,864	A	11/1988	D578,012	S	10/2008	Friedland et al.
4,903,841	A	2/1990	D578,013	S	10/2008	Friedland et al.
D306,555	S	3/1990	D578,014	S	10/2008	Friedland et al.
D314,253	S *	1/1991	D578,015	S	10/2008	Friedland et al.
D314,885	S	2/1991	D578,016	S	10/2008	Friedland et al.
D318,611	S	7/1991	D578,017	S	10/2008	Friedland et al.
5,038,547	A	8/1991	D578,018	S	10/2008	Friedland et al.
D326,222	S	5/1992	D578,019	S	10/2008	Friedland et al.
D354,906	S	1/1995	D579,346	S	10/2008	Friedland et al.
D363,604	S	10/1995	D583,679	S	12/2008	Friedland et al.
D386,698	S	11/1997	D585,302	S	1/2009	Beyer et al.
D396,002	S	7/1998	D585,744	S	2/2009	Shields
5,779,052	A	7/1998	D585,762	S	2/2009	Friedland et al.
5,960,983	A *	10/1999	D586,231	S	2/2009	Friedland et al.
6,083,584	A	7/2000	D587,131	S	2/2009	Friedland et al.
D429,459	S	8/2000	D587,132	S	2/2009	Friedland et al.
D436,847	S	1/2001	D587,568	S *	3/2009	Shields D9/428
D438,348	S *	2/2001	D587,597	S	3/2009	Friedland et al.
D440,868	S	4/2001	2009/0047394	A1	2/2009	Willcocks et al.
D442,078	S	5/2001				
D446,445	S	8/2001				
D450,574	S	11/2001				
D450,580	S *	11/2001				
D452,144	S	12/2001				
D452,817	S	1/2002				
D454,457	S	3/2002				
D454,487	S	3/2002				
D462,897	S	9/2002				
D463,266	S	9/2002				
D463,738	S	10/2002				
D463,974	S	10/2002				
D465,726	S	11/2002				
D466,003	S	11/2002				

OTHER PUBLICATIONS

U.S. Appl. No. 29/319,191, filed Jun. 5, 2008, by Friedland et al., entitled "Rectangle Shaped Multi-Pack Vacuum Pouch".

U.S. Appl. No. 29/329,989, filed Dec. 24, 2008, by Shields, entitled "Combined Pouch and Holder".

U.S. Appl. No. 29/322,019, filed Jul. 28, 2008, by Friedland et al., entitled "Concave Thermoform Base With Food Placement".

U.S. Appl. No. 29/322,018, filed Jul. 28, 2008, by Friedland et al., entitled "Pointer Shaped Vacuum Pouch".

U.S. Appl. No. 29/329,642, filed Dec. 18, 2008, by Daniel Beyer et al., entitled "Rectangle Shaped Vacuum Pouch".

* cited by examiner

FIG. 1

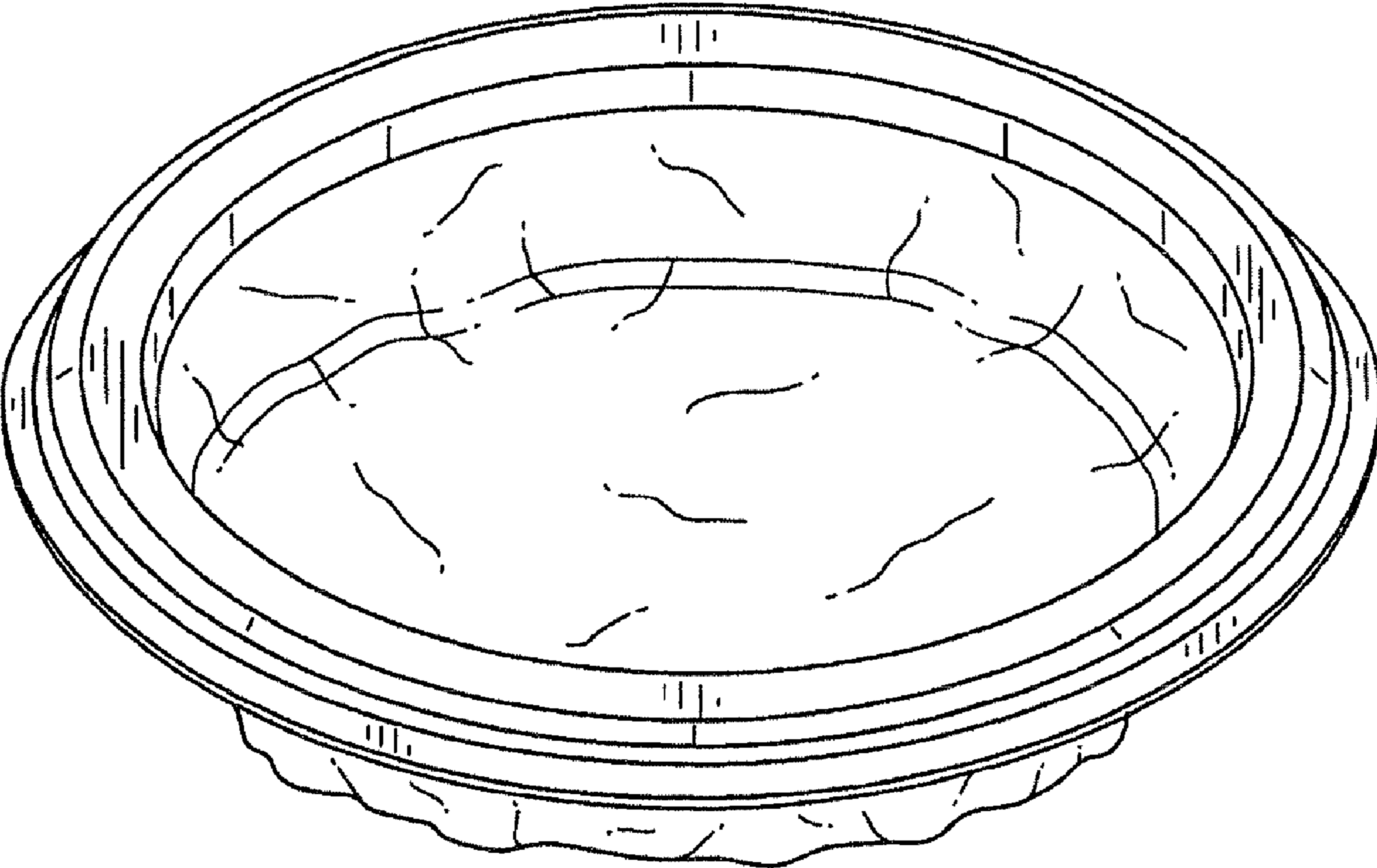


FIG.2

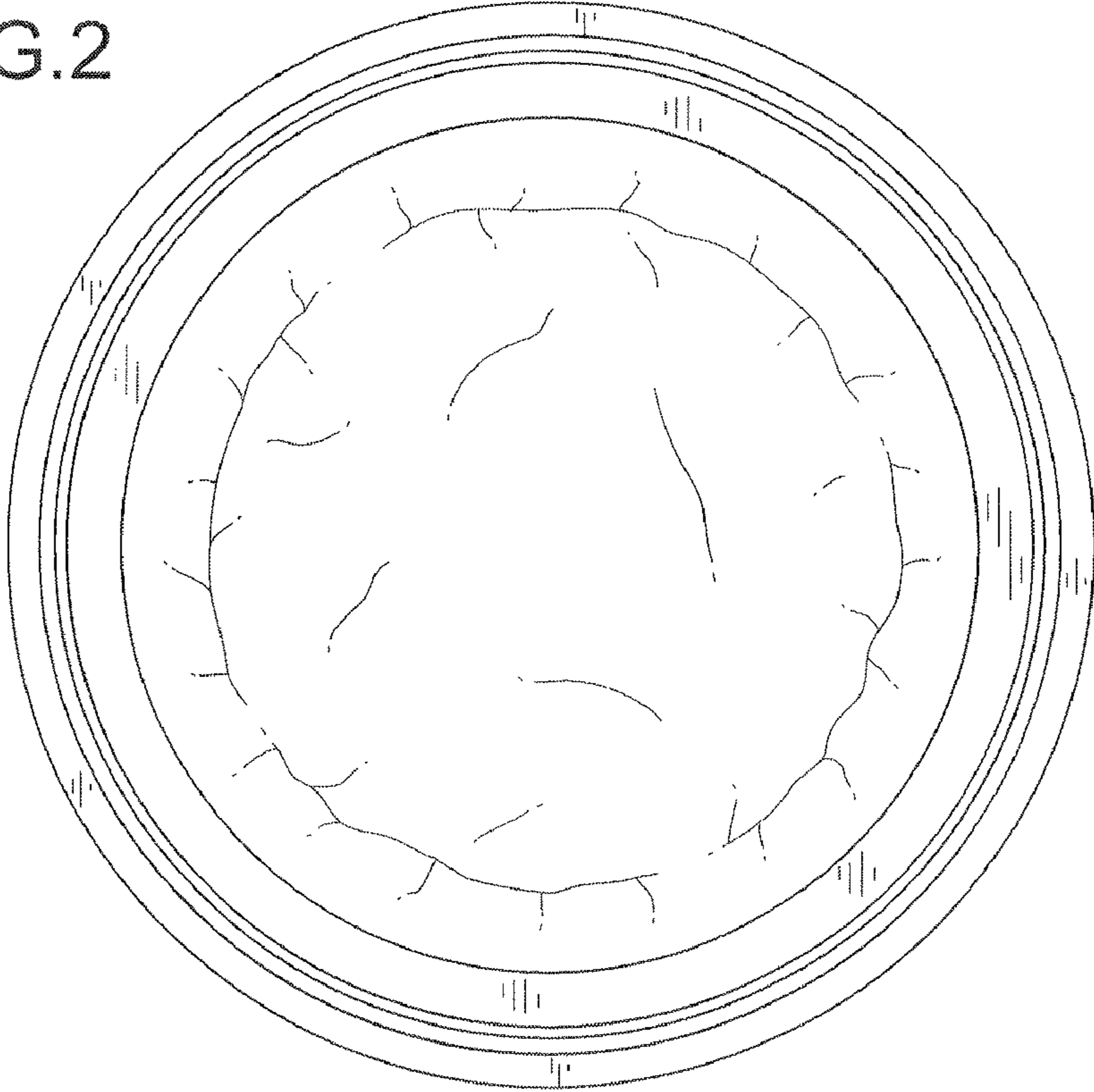


FIG.3

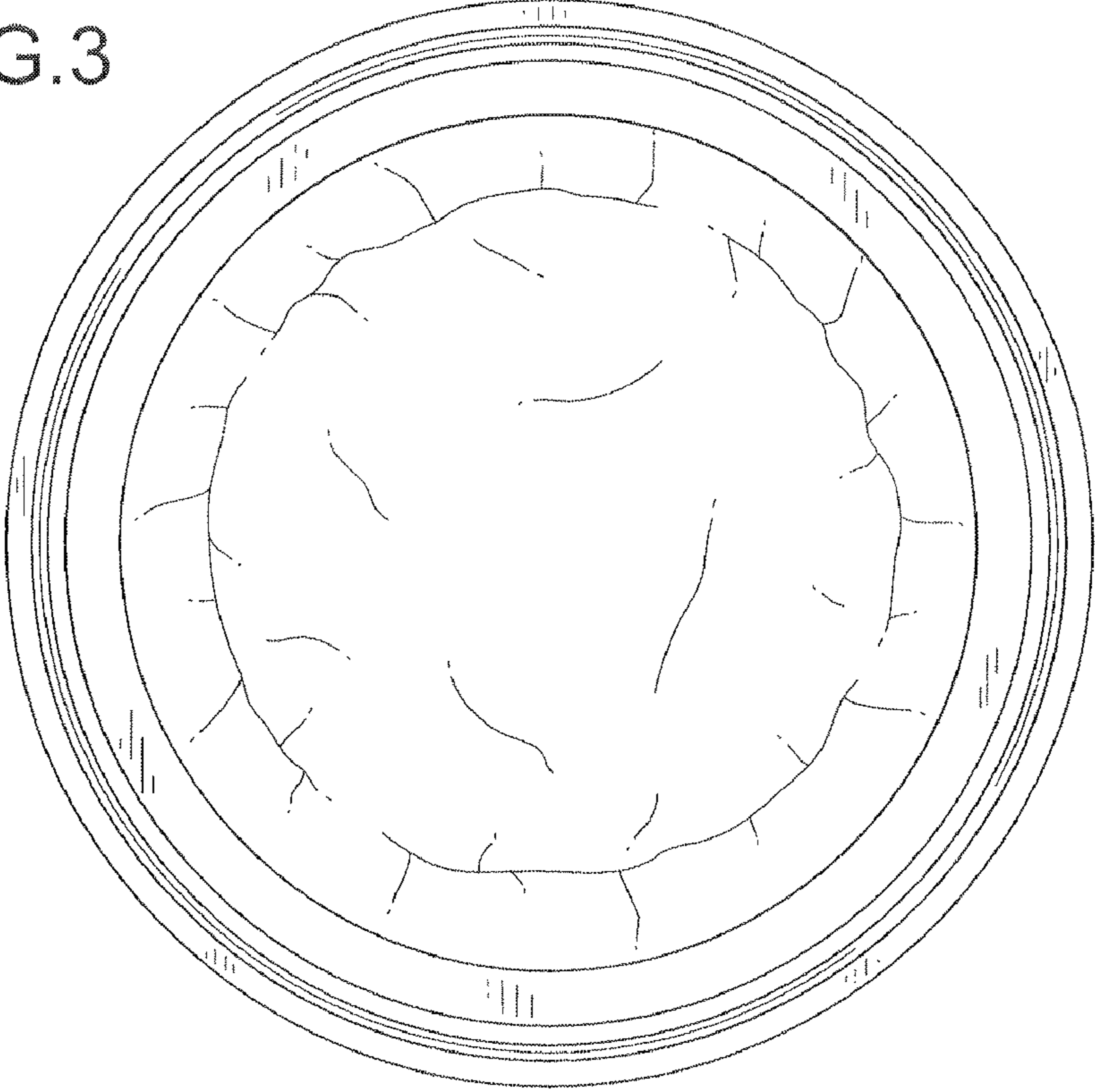


FIG. 4

