



US00D598742S

(12) **United States Design Patent**  
**Arevalo et al.**

(10) **Patent No.:** **US D598,742 S**

(45) **Date of Patent:** **\*\* Aug. 25, 2009**

(54) **PACKAGE FOR A CLEANING ARTICLE**

(75) Inventors: **Jose Arevalo**, Racine, WI (US);  
**Kimberly L. Harrison-Senter**, Beach  
Park, IL (US); **Ann Marie Przepasniak**,  
Sturtevant, WI (US); **Joseph E. Reimer**,  
Oregon, WI (US); **Bradley S. Kerl**,  
Dane, WI (US); **Tanya M. Jacobs**,  
Deforest, WI (US)

(73) Assignee: **S.C. Johnson & Son, Inc.**, Racine, WI  
(US)

(\*\*) Term: **14 Years**

(21) Appl. No.: **29/323,279**

(22) Filed: **Aug. 21, 2008**

(51) **LOC (9) Cl.** ..... **09-03**

(52) **U.S. Cl.** ..... **D9/425**

(58) **Field of Classification Search** ..... D9/414-416,  
D9/418-420, 423-428, 430-432, 434; D7/354,  
D7/396.1, 392.1, 394, 538, 543-545, 550.1,  
D7/551, 554.3, 587, 566, 584, 586, 629, 667;  
220/4.22-4.24, 574, 604-608, 659, 675,  
220/781-782, 793, 835, 839, DIG. 14; 206/119,  
206/464, 470, 508, 545, 806; 229/406; 219/725,  
219/735; D23/355-366; D3/302, 314  
See application file for complete search history.

(56) **References Cited**

**U.S. PATENT DOCUMENTS**

3,391,783 A *	7/1968	Gantz	206/464
D220,086 S *	3/1971	Benech	D9/415
D222,236 S *	10/1971	Peragine	D9/696
D233,318 S *	10/1974	Moberly et al.	D9/415
D247,222 S *	2/1978	Paone et al.	D9/415
D269,159 S *	5/1983	Honig	D9/415
4,669,610 A	6/1987	Lindsey et al.	
4,795,665 A	1/1989	Lancaster et al.	
4,930,627 A	6/1990	Borst et al.	
4,955,527 A	9/1990	Blackman et al.	
4,968,624 A	11/1990	Bacehowski et al.	

5,143,215 A	9/1992	Hartley et al.	
5,205,476 A	4/1993	Sorenson	
5,209,354 A	5/1993	Thornhill et al.	
5,353,935 A	10/1994	Yeager et al.	
5,418,008 A	5/1995	Calvert	
5,469,866 A	11/1995	Adell et al.	
5,485,919 A	1/1996	Samberg et al.	
5,584,430 A	12/1996	Mulry	
5,775,516 A	7/1998	McCumber et al.	
D398,844 S *	9/1998	Oberloier	D9/415
5,819,939 A	10/1998	Boyer	
D404,644 S *	1/1999	Meeker	D9/415
5,875,893 A	3/1999	Lee et al.	
5,935,664 A	8/1999	Claytor et al.	
6,065,589 A	5/2000	Ouwens	
6,170,663 B1	1/2001	Glassman	
D438,103 S *	2/2001	Edwards et al.	D9/415
6,218,013 B1	4/2001	Wood et al.	

(Continued)

*Primary Examiner*—Philip S Hyder  
*Assistant Examiner*—Susan E Krakower

(57) **CLAIM**

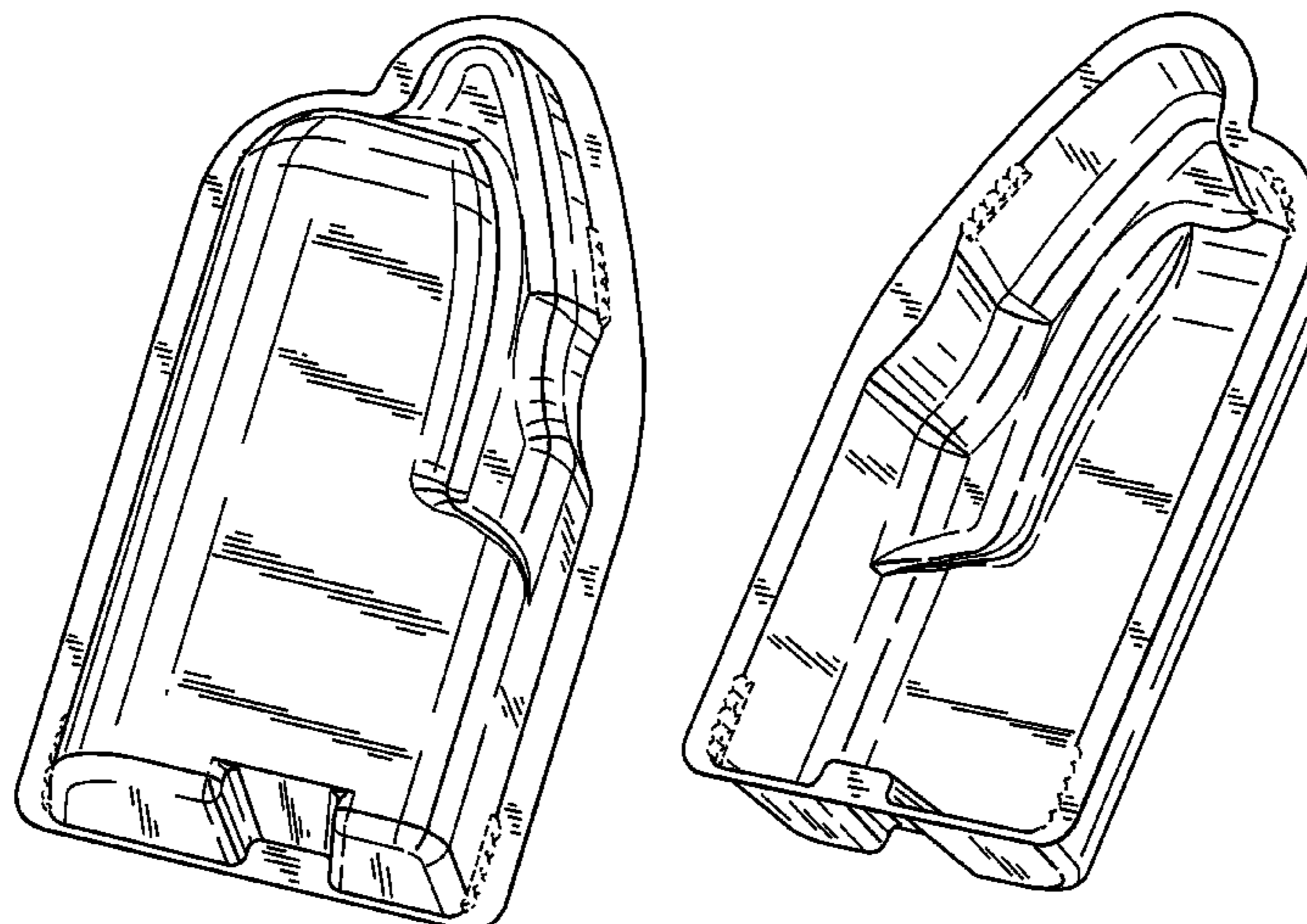
The ornamental design for a package for a cleaning article, as shown and described.

**DESCRIPTION**

FIG. 1 is a top plan view of a package for a cleaning article, embodying the new design;  
FIG. 2 is a rear elevation view thereof;  
FIG. 3 is a side elevation view thereof;  
FIG. 4 is an opposite side elevation view thereof;  
FIG. 5 is a front elevation view thereof;  
FIG. 6 is a top perspective view thereof;  
FIG. 7 is a bottom perspective view thereof; and,  
FIG. 8 is a top plan view thereof.

The broken lines shown in the drawings illustrate environmental elements and form no part of the claimed design.

**1 Claim, 7 Drawing Sheets**



# US D598,742 S

Page 2

## U.S. PATENT DOCUMENTS

6,227,369	B1	5/2001	Glassman				
6,245,395	B1	6/2001	Falat et al.				
6,276,529	B1	8/2001	Feehan, Jr.				
6,283,364	B1	9/2001	Gray, Sr.				
D449,226	S	10/2001	Hedstrom et al.				
6,330,945	B1	12/2001	Reimer				
6,364,114	B1	4/2002	Glassman				
D459,219	S	6/2002	Lee				
6,409,019	B1	6/2002	Hornsby et al.				
D469,348	S	1/2003	Demus et al.				
D471,442	S	3/2003	Lee				
D473,787	S	4/2003	Jones, Jr.				
6,588,596	B1	7/2003	Holmes et al.				
D480,638	S *	10/2003	Lee .....	D9/415			
6,739,453	B1	5/2004	Mazurek				
D496,586	S	9/2004	Belser et al.				
D504,065	S	4/2005	Belser et al.				
D505,619	S	5/2005	Metaxatos				
D506,130	S	6/2005	Metaxatos				
D509,728	S	9/2005	Kato				
6,968,951	B2	11/2005	Magnusson				
D515,915	S *	2/2006	Karim .....	D9/416			
D531,495	S	11/2006	Hardy et al.				
7,165,676	B2	1/2007	Dalessandro				
7,168,565	B2	1/2007	Scott				
7,207,441	B2	4/2007	Ritter				
7,226,220	B2	6/2007	Choy et al.				
7,255,230	B1	8/2007	Appelbaum				
7,291,370	B2	11/2007	Gipson et al.				
D566,545	S	4/2008	Bone et al.				
D570,680	S	6/2008	Wintolders et al.				
D581,780	S *	12/2008	Senter .....	D9/424			
2001/0007308	A1	7/2001	Glassman				
2007/0187264	A1	8/2007	Hofte et al.				
2007/0187274	A1	8/2007	Dalea et al.				
2008/0053857	A1	3/2008	Albano et al.				
2008/0142395	A1	6/2008	Heller et al.				
2008/0142397	A1	6/2008	Heller et al.				

\* cited by examiner

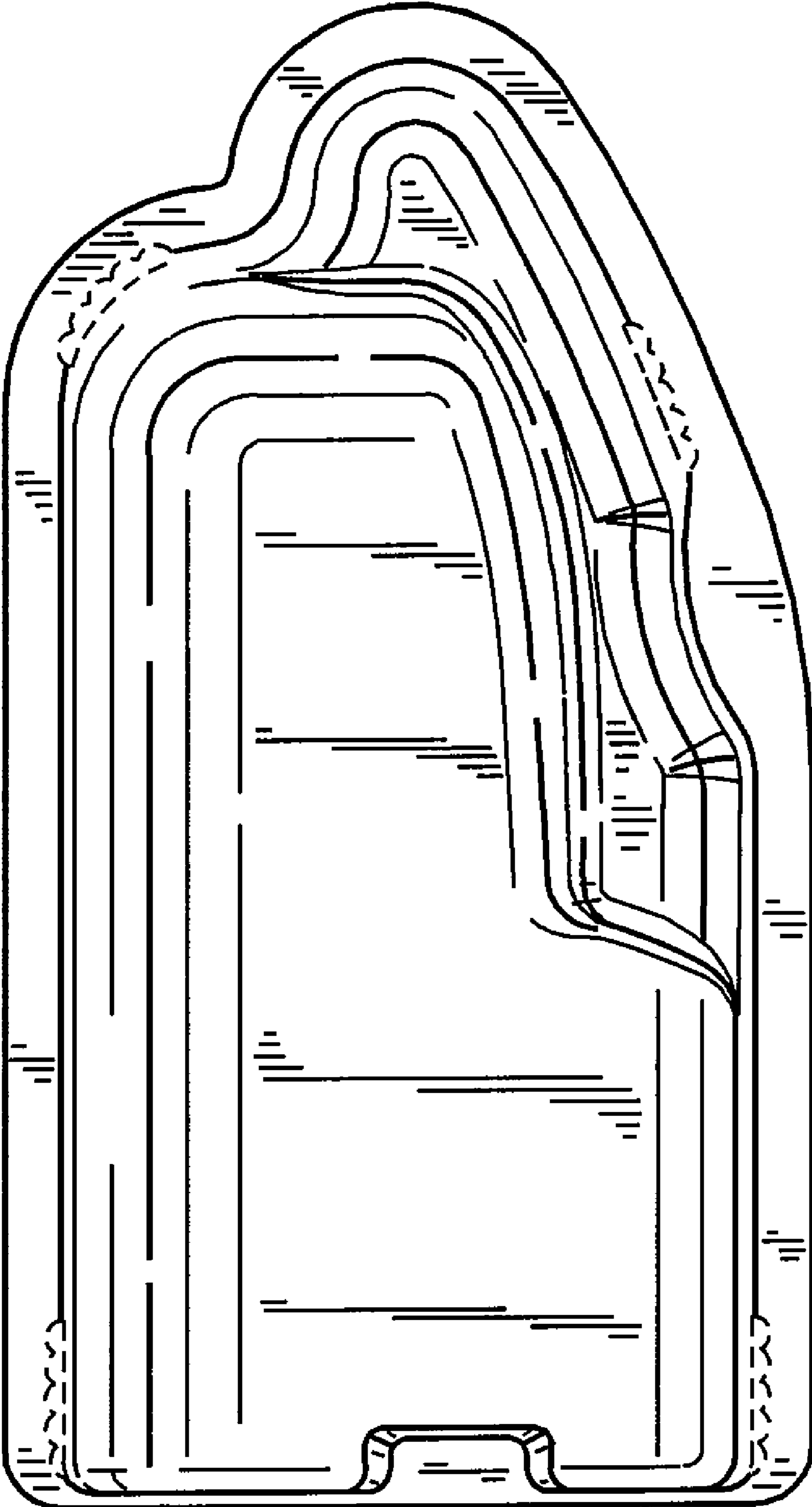


FIG. 1

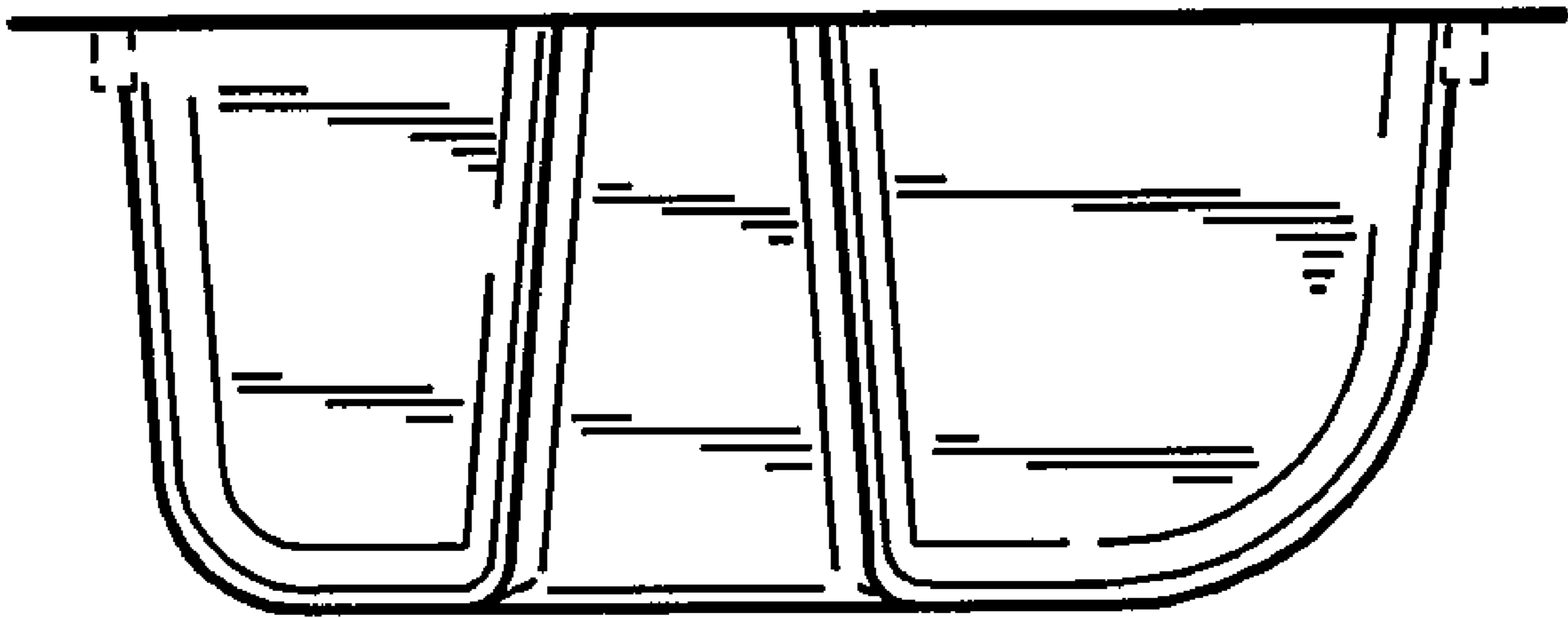


FIG. 2

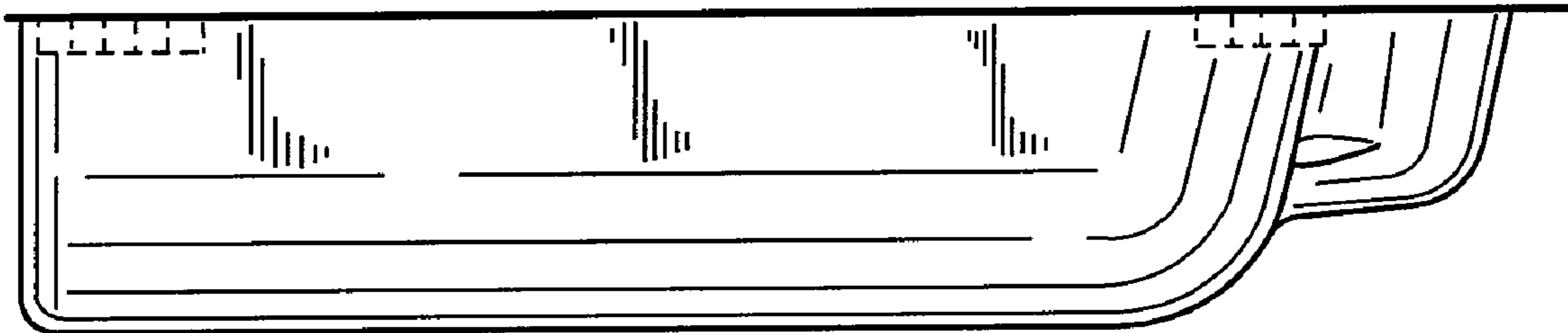


FIG. 3

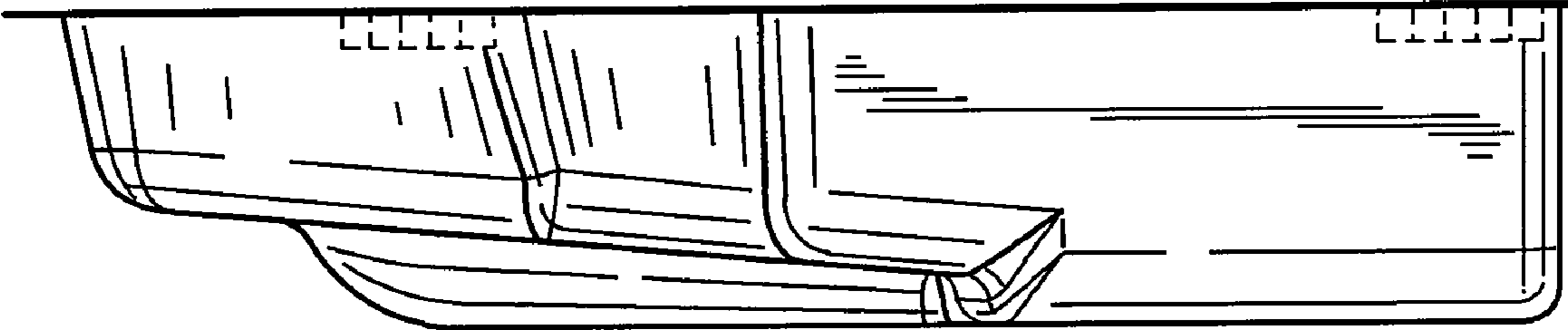


FIG. 4

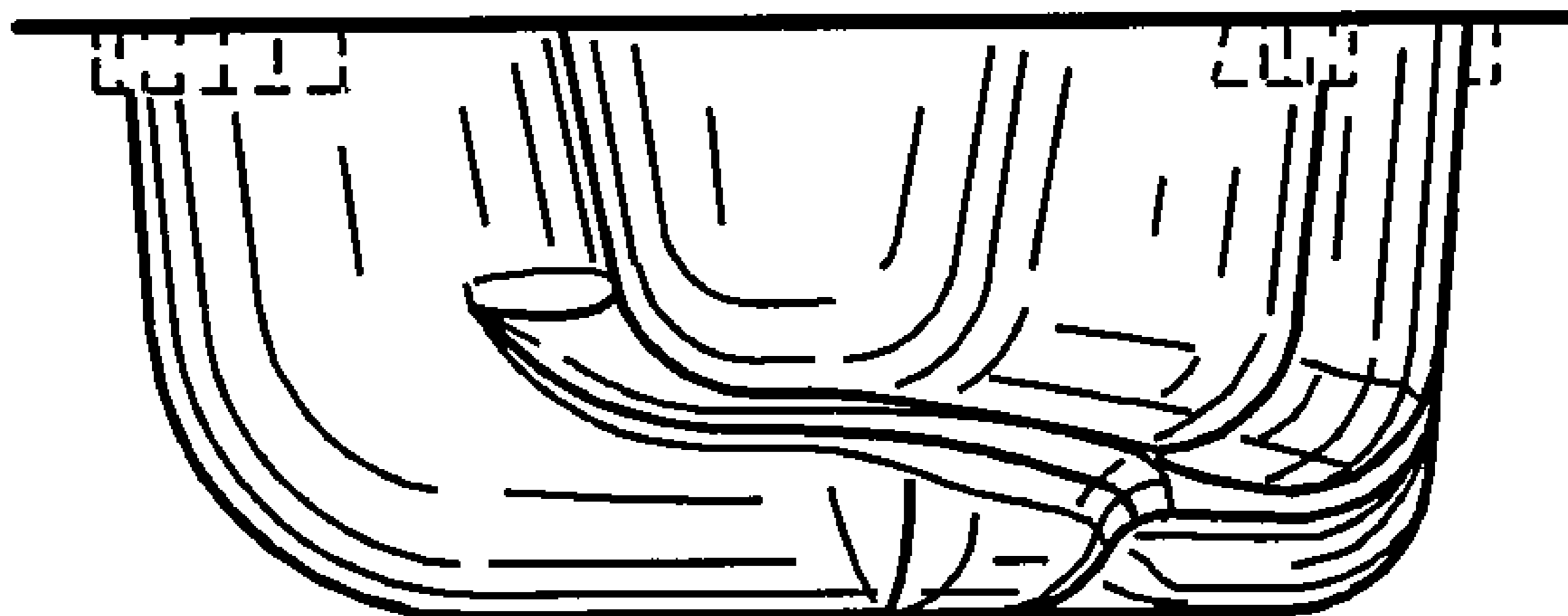


FIG. 5

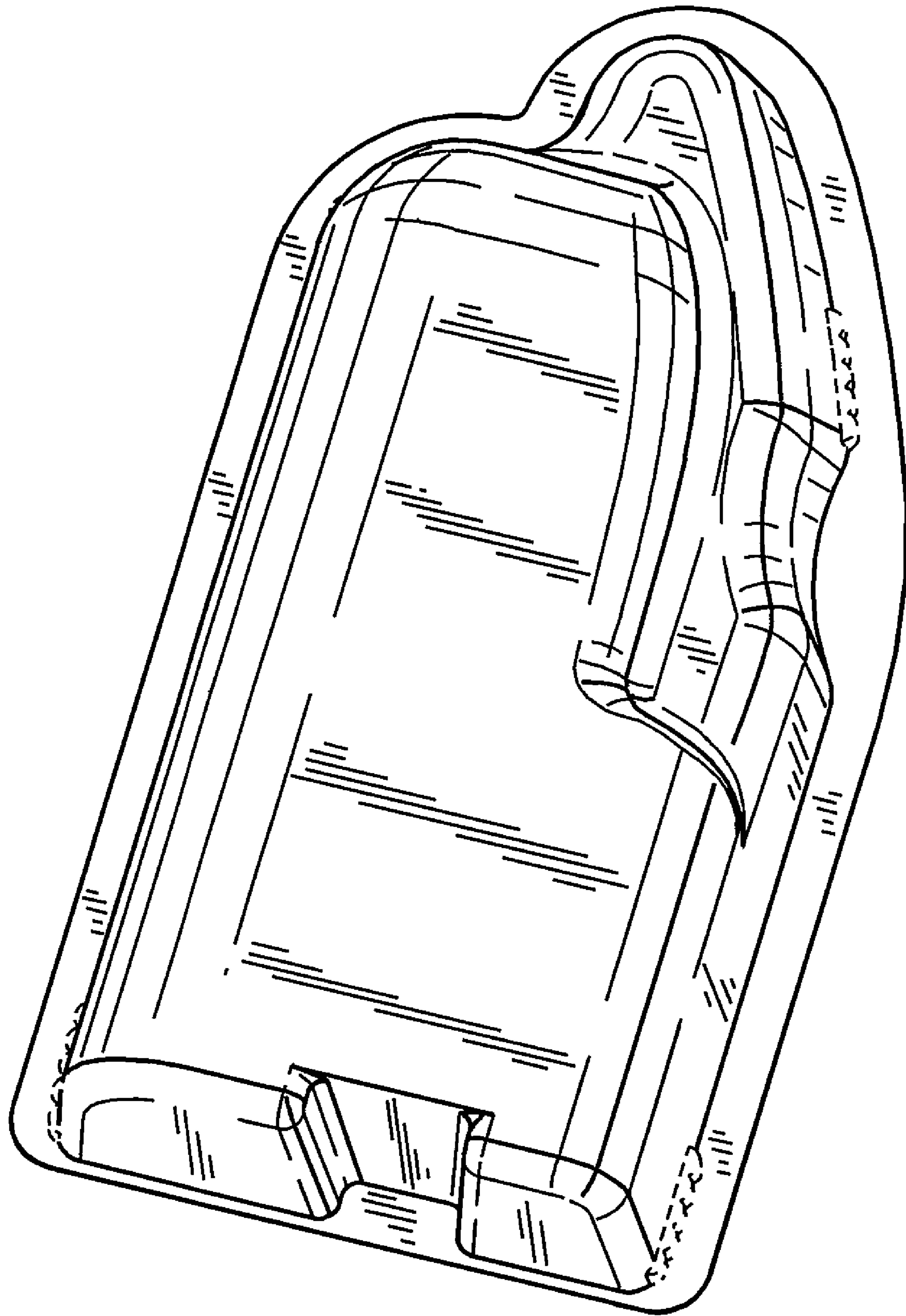


FIG. 6

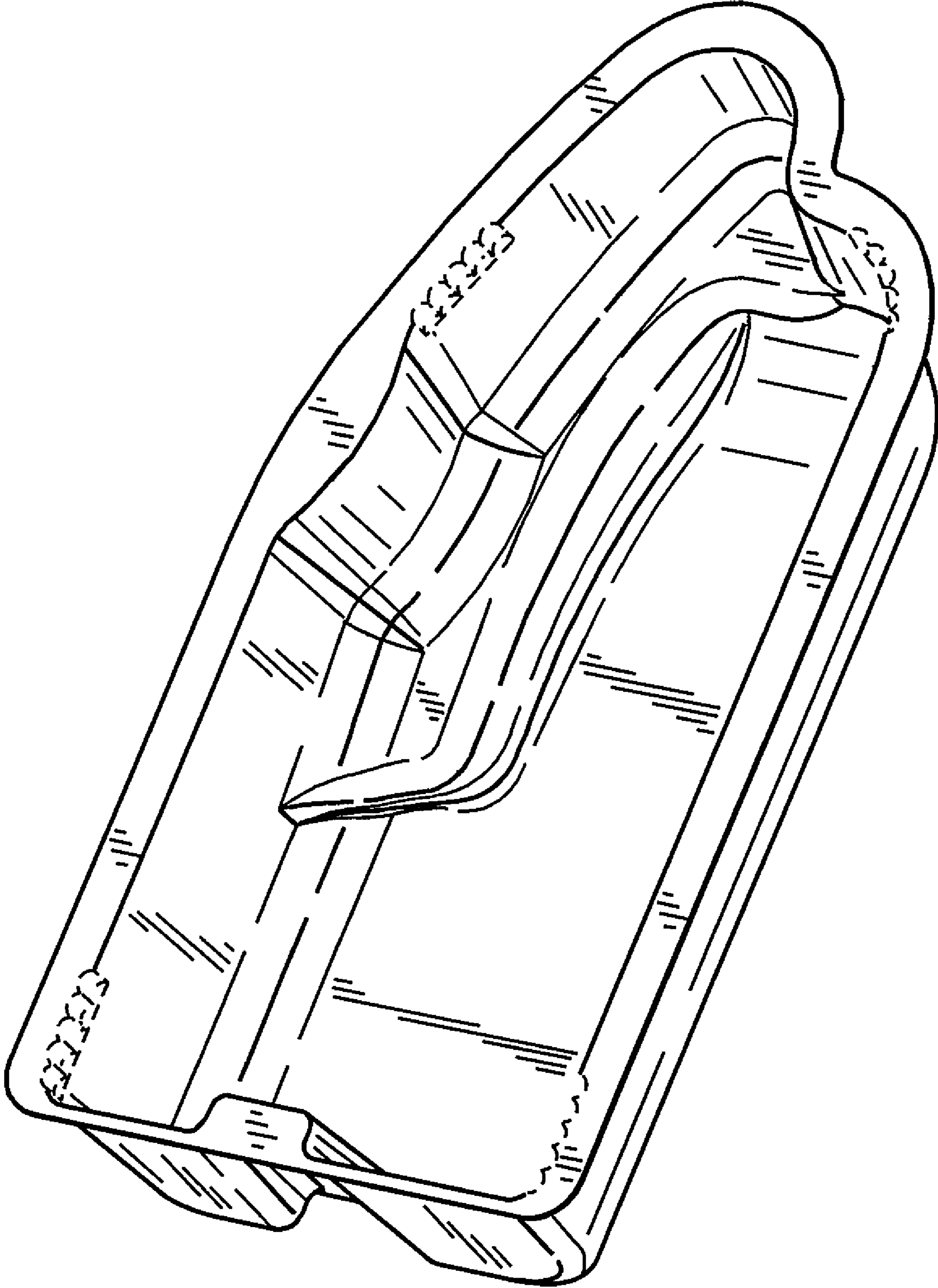


FIG. 7



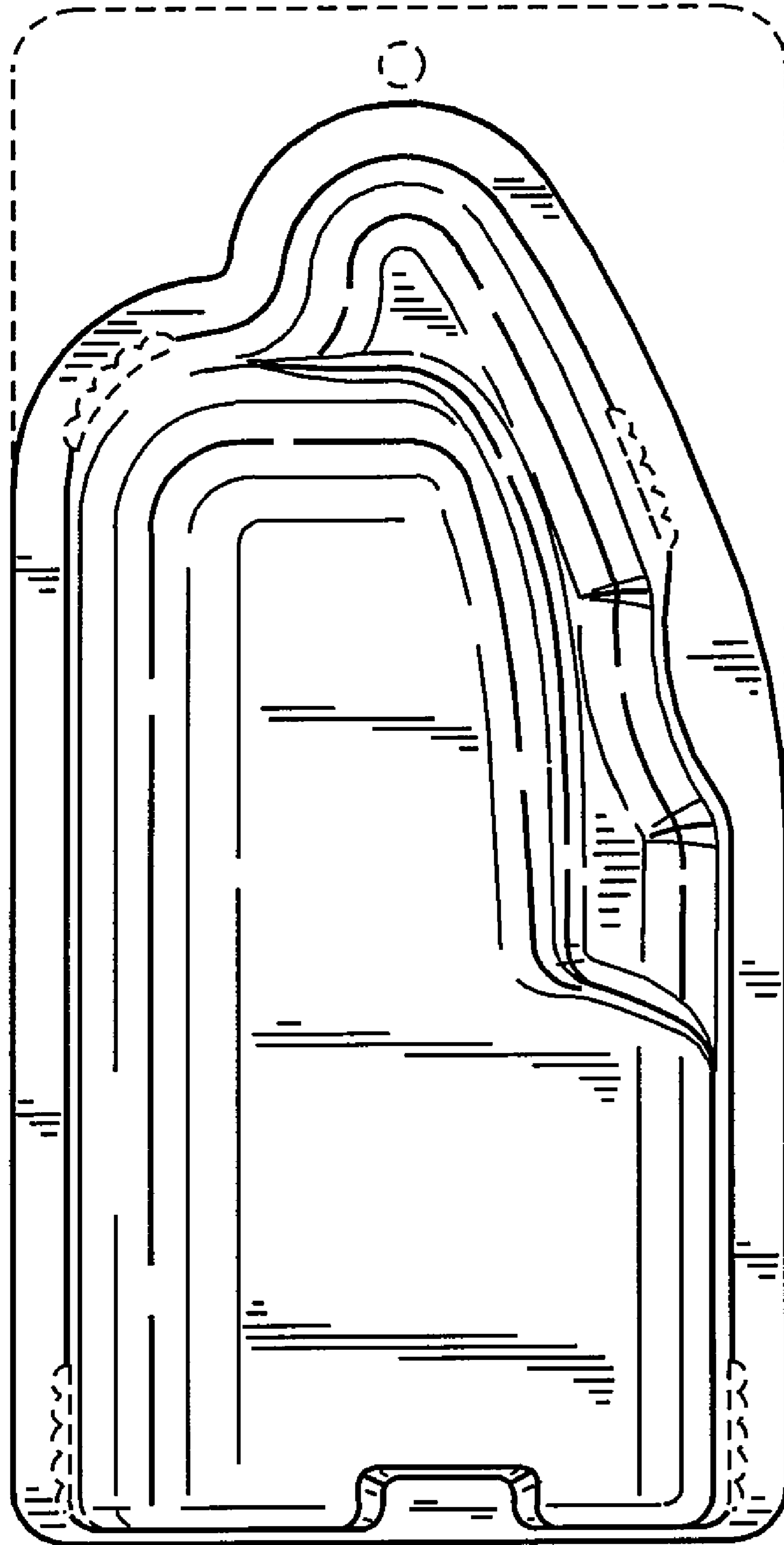


FIG. 8