



US00D598740S

(12) **United States Design Patent**
Auer et al.

(10) **Patent No.:** **US D598,740 S**

(45) **Date of Patent:** **** Aug. 25, 2009**

(54) **CONTAINER AND LID**

(75) Inventors: **Hans Peter Auer**, Bad Homburg (DE);
Wilhelm Cramer, Bestwig/Nuttlar
(DE); **Pawel Jaworski**, Ladenburg (DE)

(73) Assignee: **Reckitt Benckiser N.V.**, Hoofdoorp
(NL)

(**) Term: **14 Years**

(21) Appl. No.: **29/297,655**

(22) Filed: **Nov. 15, 2007**

(30) **Foreign Application Priority Data**

May 18, 2007 (EM) 000725320-0002

(51) **LOC (9) Cl.** **09-03**

(52) **U.S. Cl.** **D9/424; D9/432**

(58) **Field of Classification Search** D9/424,
D9/414, 418, 420-423, 425, 428, 429, 430,
D9/432; D3/273, 302, 304; D7/538, 601,
D7/602, 609, 629; 206/216, 508, 518, 519,
206/541, 557, 775-777, 815, 822; 220/675,
220/676, 781, 786, 789, 790, 793, 796; 229/406,
229/905, 906, 925, 926

See application file for complete search history.

(56) **References Cited**

U.S. PATENT DOCUMENTS

3,424,342	A *	1/1969	Scopp et al.	220/793
3,765,976	A *	10/1973	Nasica	156/105
D238,148	S *	12/1975	Dilot	D7/629
D296,191	S *	6/1988	Yoshida et al.	D9/425
4,787,527	A *	11/1988	Monetti	220/557
D302,774	S *	8/1989	Murphy	D7/629
D305,986	S *	2/1990	Christiansen et al.	D9/424
D315,099	S *	3/1991	Alizard	D9/424

D348,394	S *	7/1994	Dreyer	D9/425
D365,985	S *	1/1996	Rousmaniere et al.	D9/423
D366,397	S *	1/1996	Zimmerman	D7/629
D370,176	S *	5/1996	Wyslotsky	D9/425
D397,552	S *	9/1998	Rutledge	D3/302
D406,463	S *	3/1999	Rutledge	D3/302
D411,448	S *	6/1999	Baker	D9/415
D427,063	S *	6/2000	May	D9/425
D495,248	S *	8/2004	Krebs et al.	D9/418
D496,560	S *	9/2004	Lerner	D7/629

* cited by examiner

Primary Examiner—Prabhakar Deshmukh

Assistant Examiner—Derrick Holland

(57) **CLAIM**

The ornamental design for a container and lid, as shown and described.

DESCRIPTION

FIG. 1 is a top and front perspective view of a container and lid showing our new design;

FIG. 2 is a front elevation view thereof, the rear being identical thereto;

FIG. 3 is a side elevation view thereof, the opposite side being identical thereto;

FIG. 4 is a top plan view thereof;

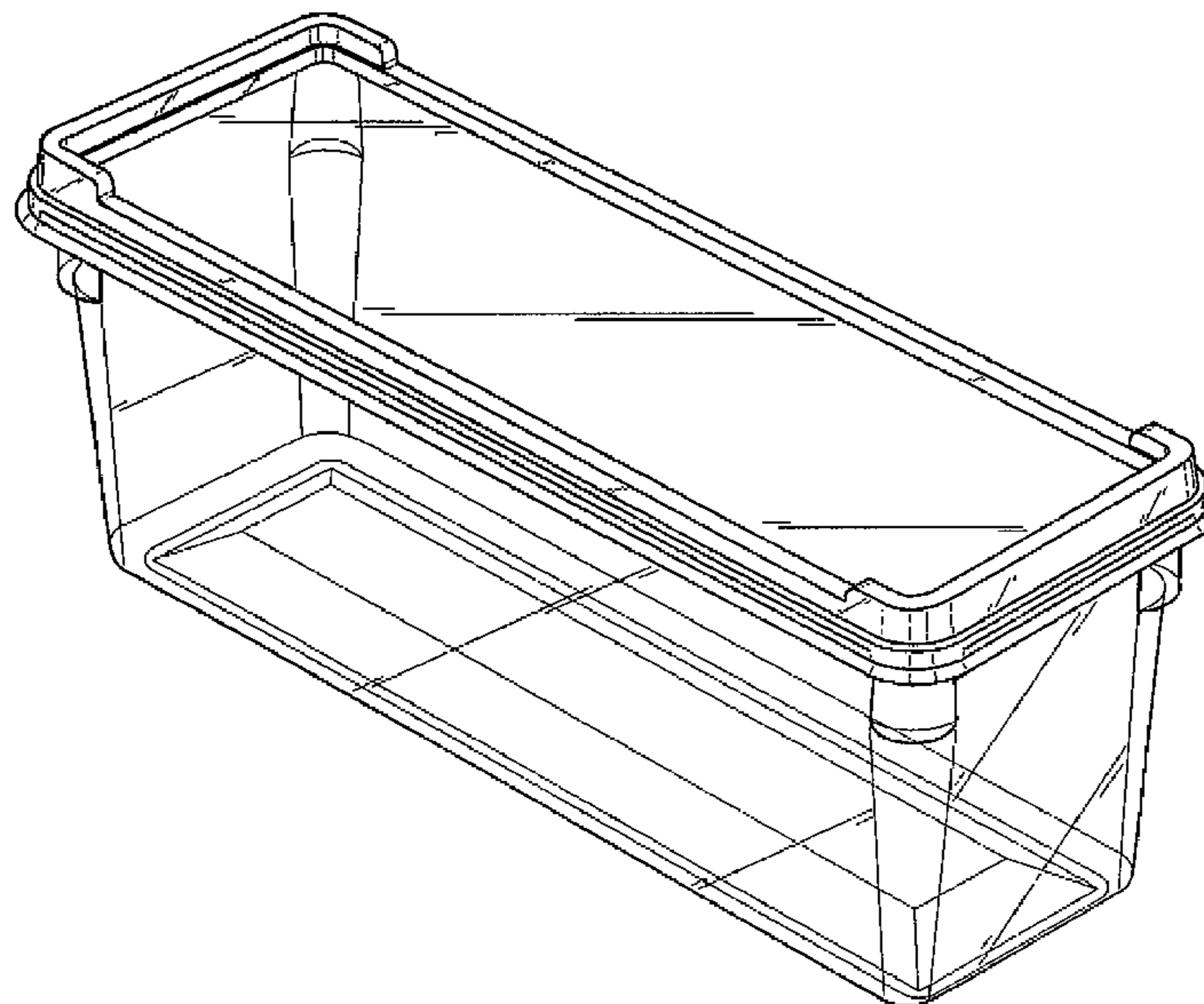
FIG. 5 is a top and front perspective view of a second embodiment of a container and lid showing our new design;

FIG. 6 is a front elevation view thereof, the rear being identical thereto;

FIG. 7 is a side elevation view thereof, the opposite side being identical thereto; and,

FIG. 8 is a top plan view thereof.

1 Claim, 4 Drawing Sheets



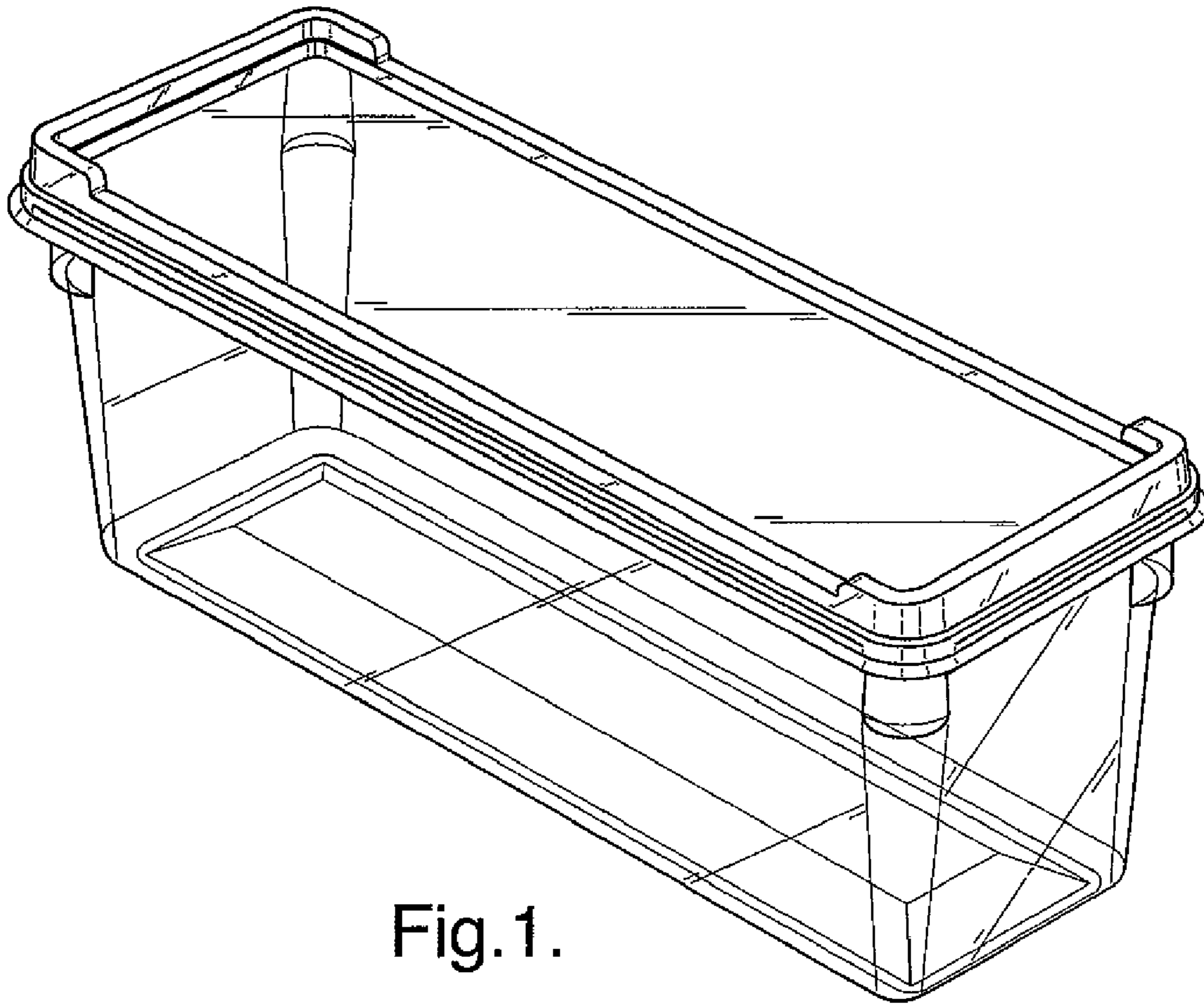


Fig.1.

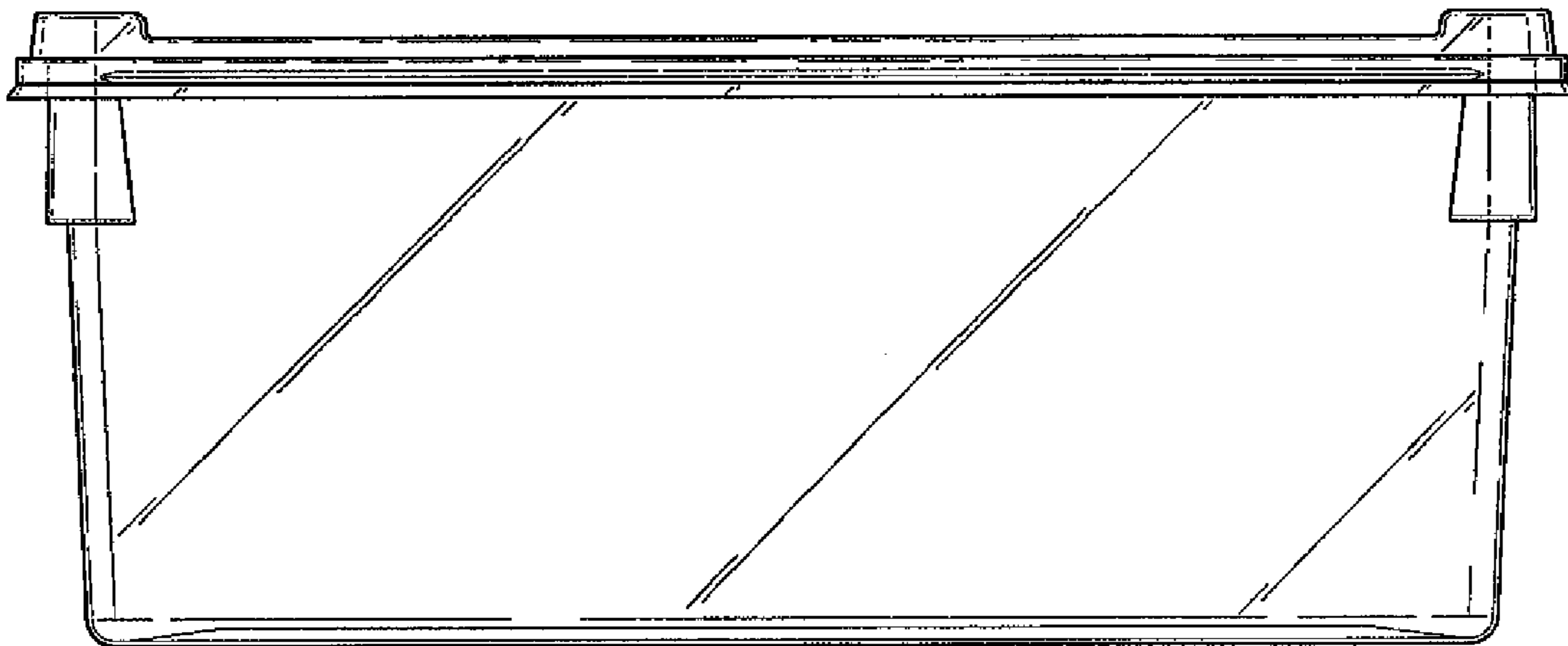


Fig.2.

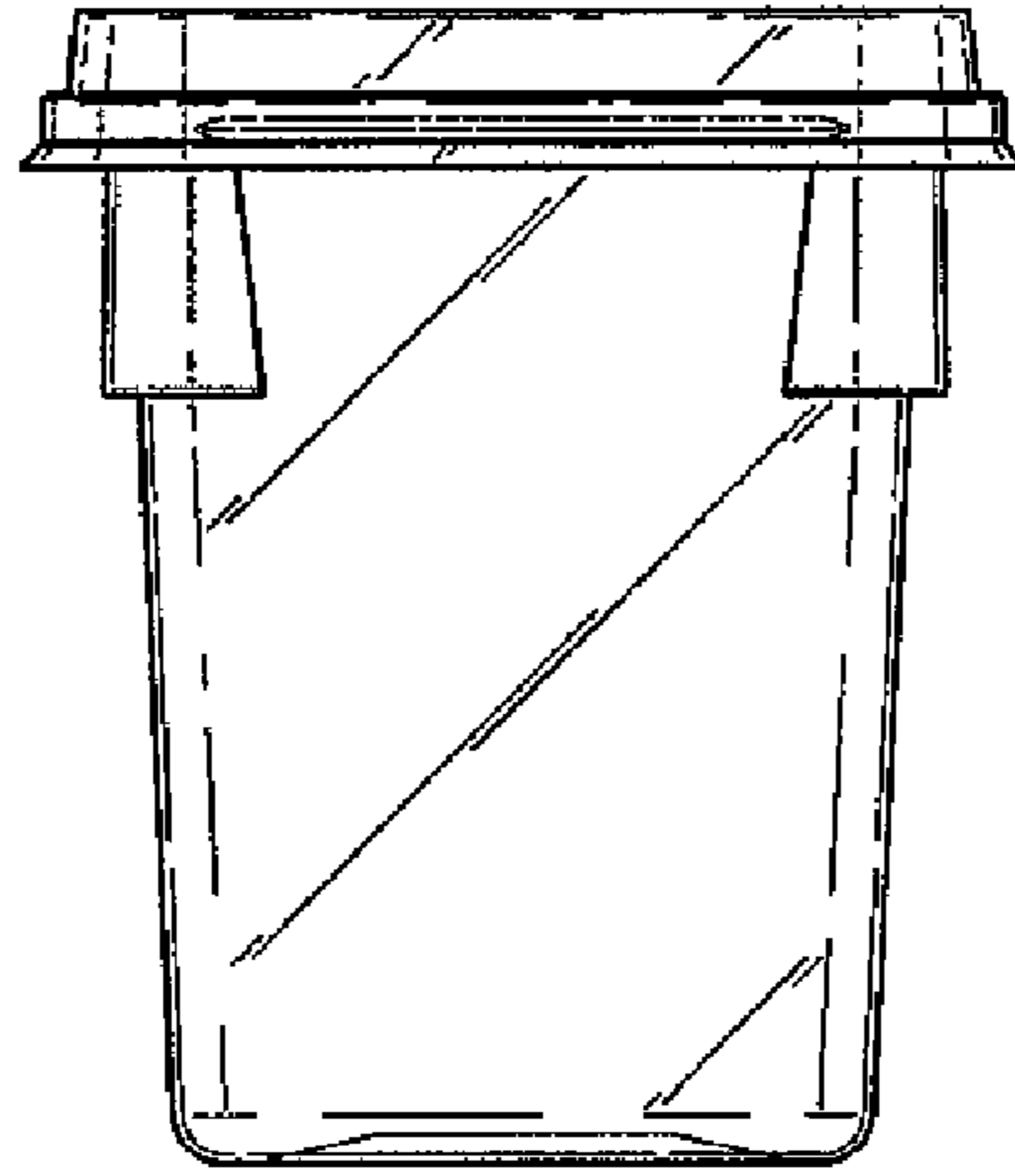


Fig.3.

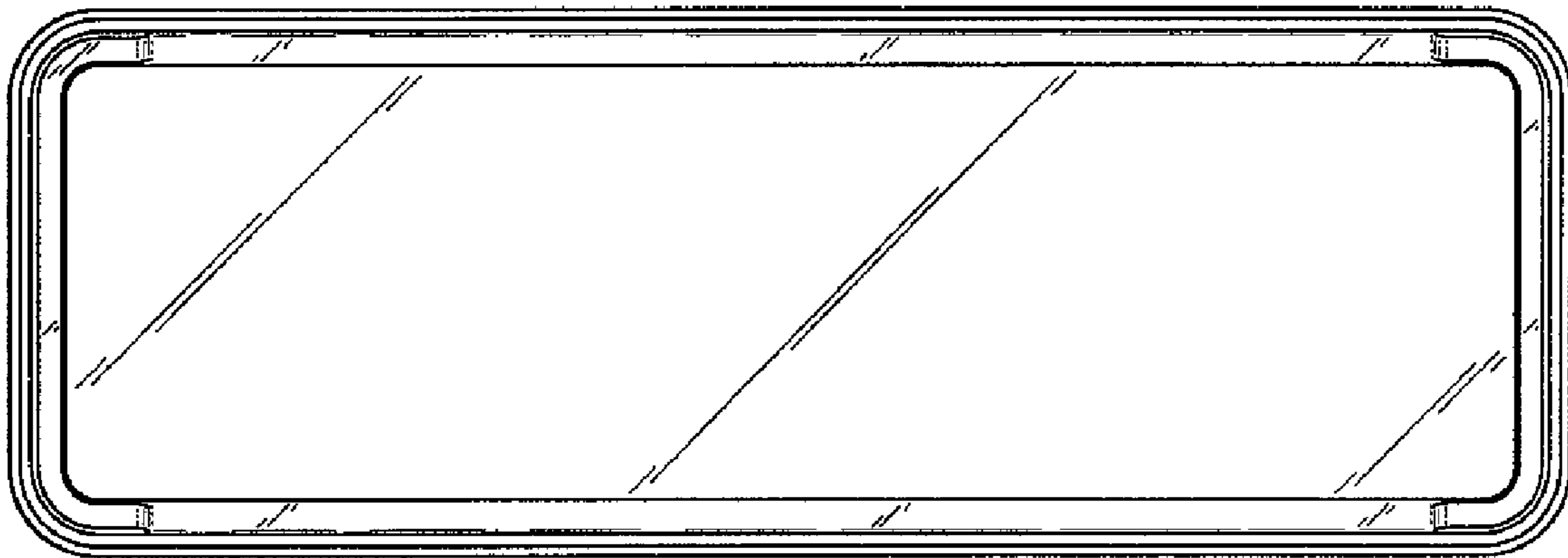


Fig.4.

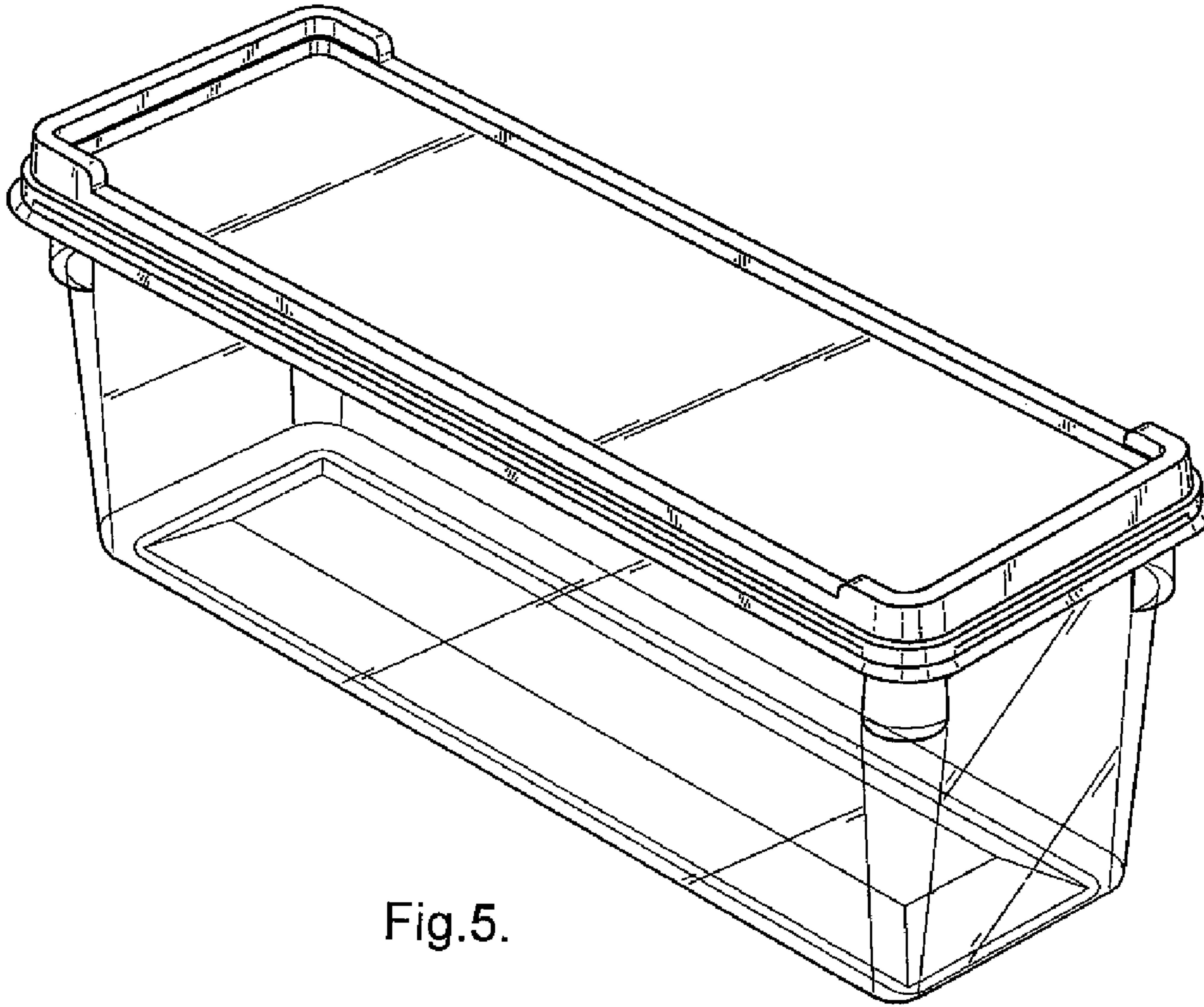


Fig. 5.

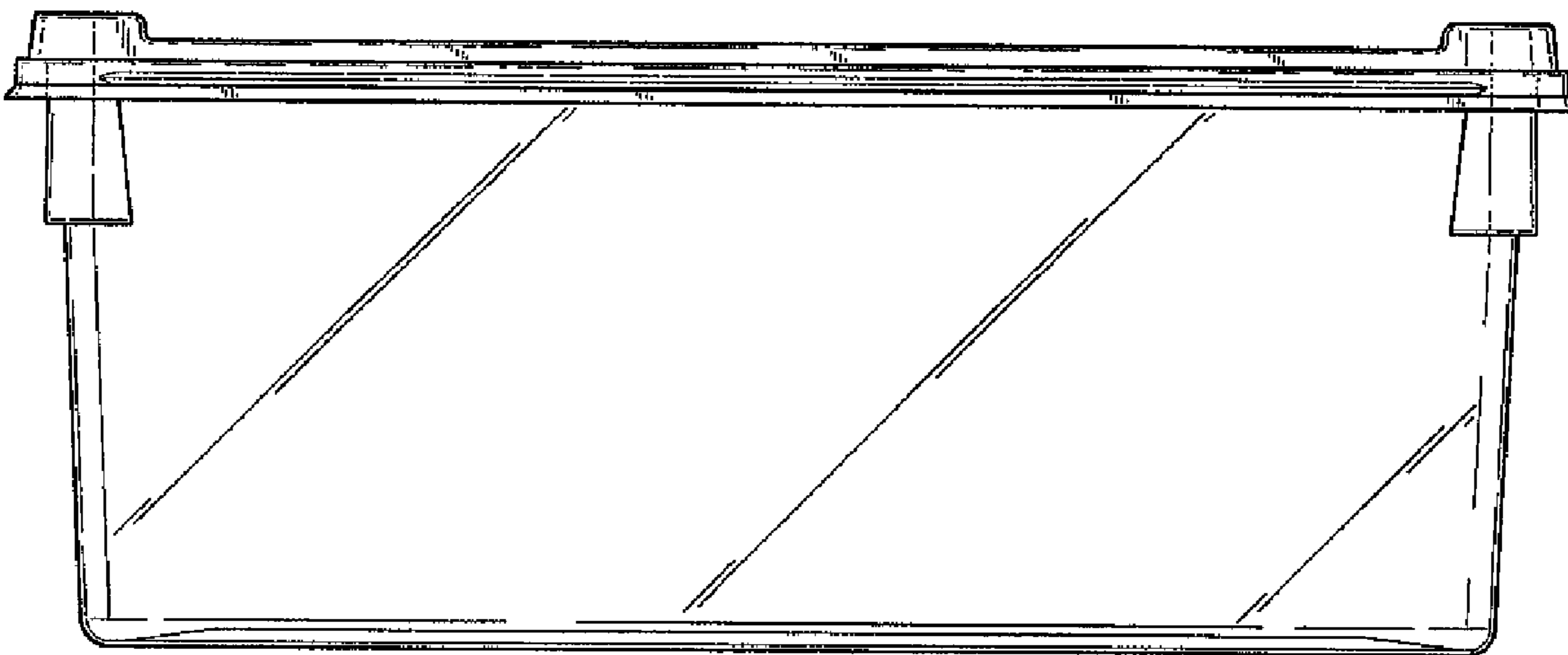


Fig. 6.

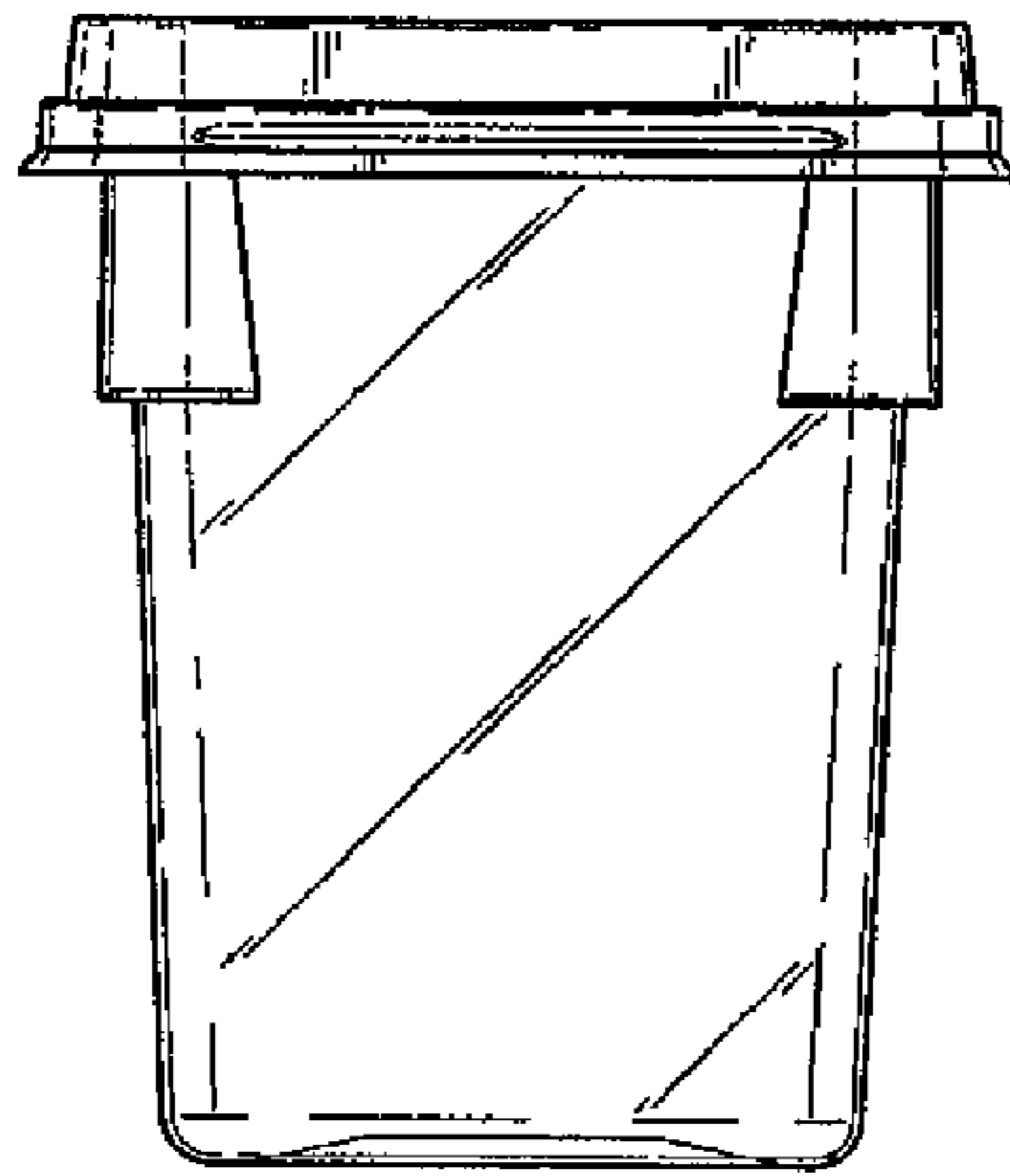


Fig.7.

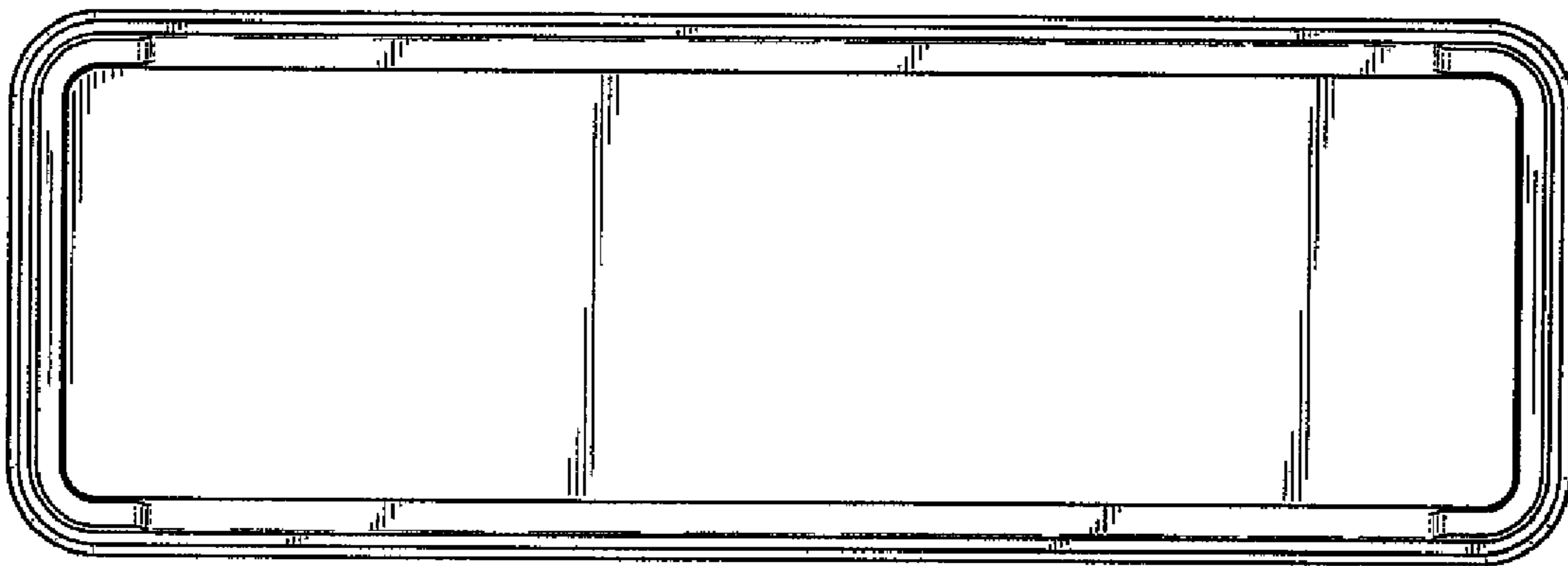


Fig.8.