



US00D598738S

(12) **United States Design Patent**
Supranowicz

(10) **Patent No.:** **US D598,738 S**

(45) **Date of Patent:** **** Aug. 25, 2009**

(54) **CONTAINER**

(75) Inventor: **Ronald Supranowicz**, Lenox, MA (US)

(73) Assignee: **SmithKline Beecham Corporation**,
Philadelphia, PA (US)

(**) Term: **14 Years**

(21) Appl. No.: **29/297,974**

(22) Filed: **Nov. 26, 2007**

Related U.S. Application Data

(63) Continuation-in-part of application No. 29/254,368,
filed on Feb. 22, 2006, now abandoned.

(51) **LOC (9) Cl.** **09-03**

(52) **U.S. Cl.** **D9/420**

(58) **Field of Classification Search** D9/414,
D9/417, 420-425, 429, 434, 503, 529, 387;
D7/390, 302, 608, 612, 615; D28/73, 88;
215/200; 229/87.13, 160.1, 116.1; 206/265-270,
206/276, 457; 220/608, 669, 675, 676, 834-843
See application file for complete search history.

(56) **References Cited**

U.S. PATENT DOCUMENTS

2,852,054	A *	9/1958	Motley	220/834
3,063,549	A *	11/1962	Weichselbaum	206/456
3,612,322	A *	10/1971	Linkletter	215/225
3,860,111	A *	1/1975	Thompson	206/534
4,029,202	A *	6/1977	Lasich et al.	206/562
4,042,105	A *	8/1977	Taylor	206/1.5
4,399,921	A *	8/1983	Kusz	215/218
4,429,800	A *	2/1984	Greenspan	215/216
D306,408	S *	3/1990	Umbeck	D9/428
5,031,784	A *	7/1991	Wright	215/216

D328,862	S *	8/1992	Janssen et al.	D9/414
5,137,260	A *	8/1992	Pehr	215/216
D540,169	S *	4/2007	Tanner	D9/503
7,198,161	B2 *	4/2007	Bucholtz	215/237
D559,677	S *	1/2008	Laib	D9/424
2002/0014493	A1 *	2/2002	Delmon	220/836
2005/0242105	A1 *	11/2005	Homann	220/840
2006/0219727	A1 *	10/2006	Giraud	220/839
2007/0228061	A1 *	10/2007	Giraud	220/839
2009/0014457	A1 *	1/2009	Bennett	220/834

* cited by examiner

Primary Examiner—Daniel D Bui

Assistant Examiner—Thomas J Johannes

(74) *Attorney, Agent, or Firm*—Theodore R. Furman; Charles
M. Kinzig

(57) **CLAIM**

The ornamental design for a container, as shown and
described.

DESCRIPTION

FIG. 1 is a perspective view of a container, showing my new
design, in a closed condition;

FIG. 2 is a front view thereof;

FIG. 3 is a back view thereof;

FIG. 4 is a side view thereof;

FIG. 5 is an opposite side view thereof;

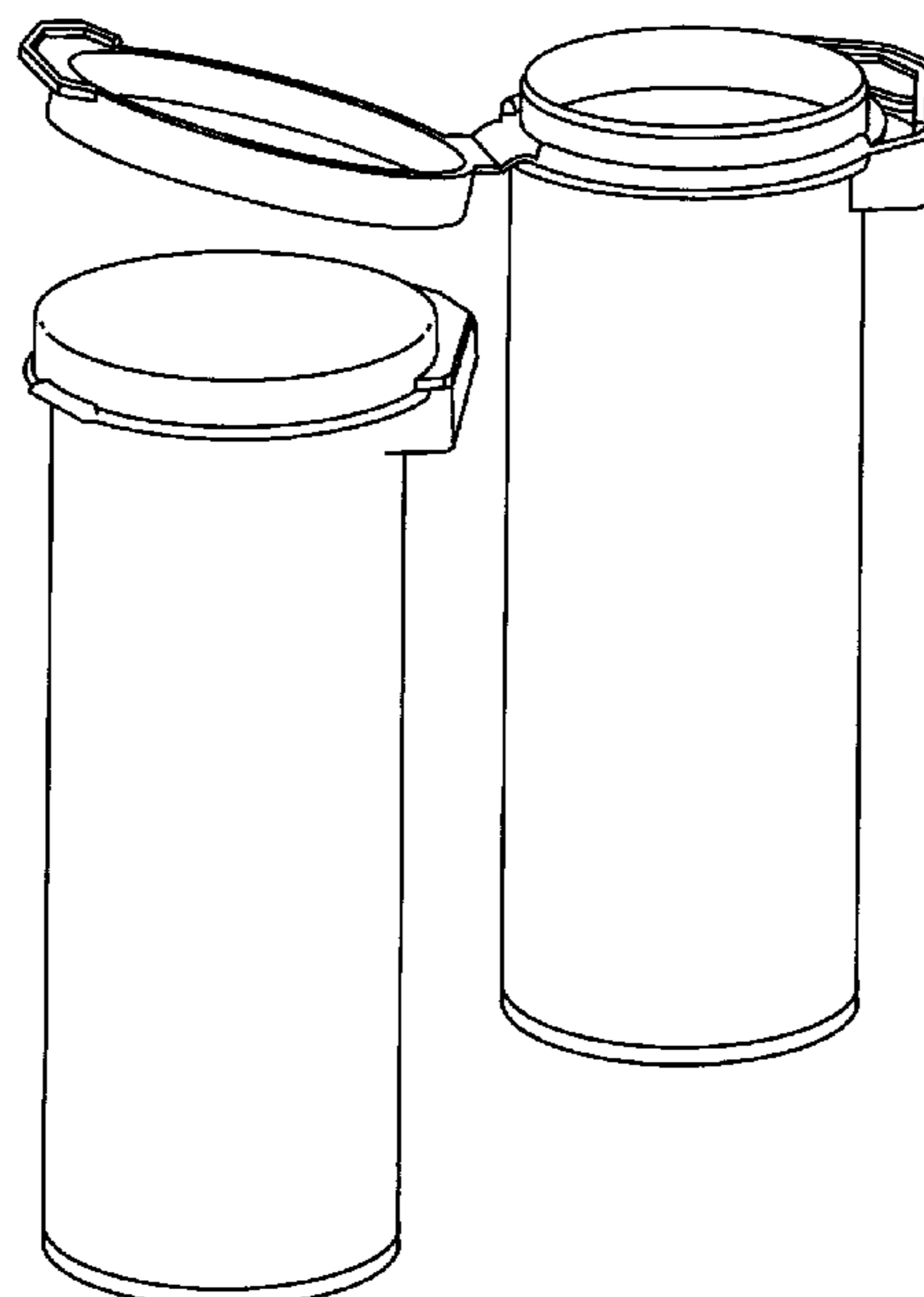
FIG. 6 is a top view thereof;

FIG. 7 is a bottom view thereof; and,

FIG. 8 a perspective view thereof, in an opened condition.

The broken line portion of the figure drawings is included to
show unclaimed subject matter only and forms no part of the
claimed design.

1 Claim, 5 Drawing Sheets



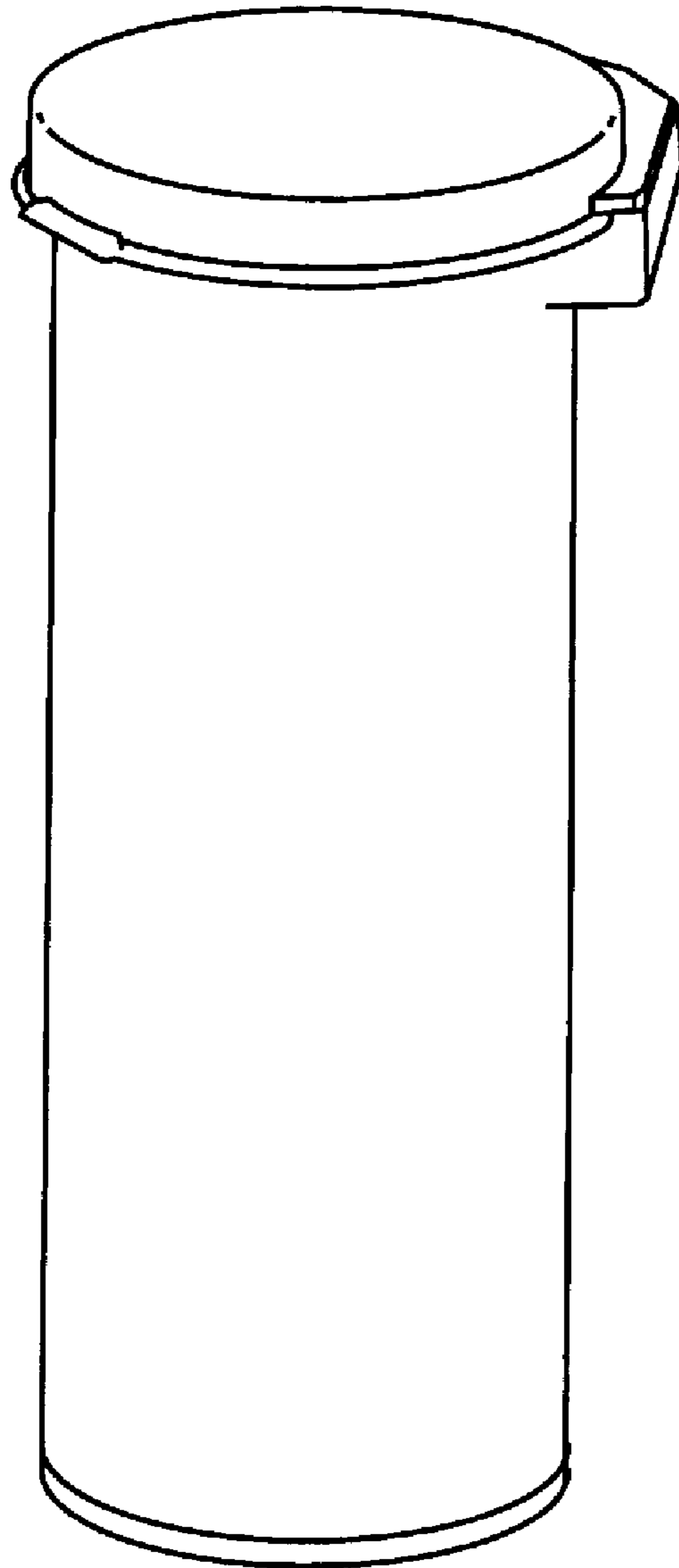


FIG. 1

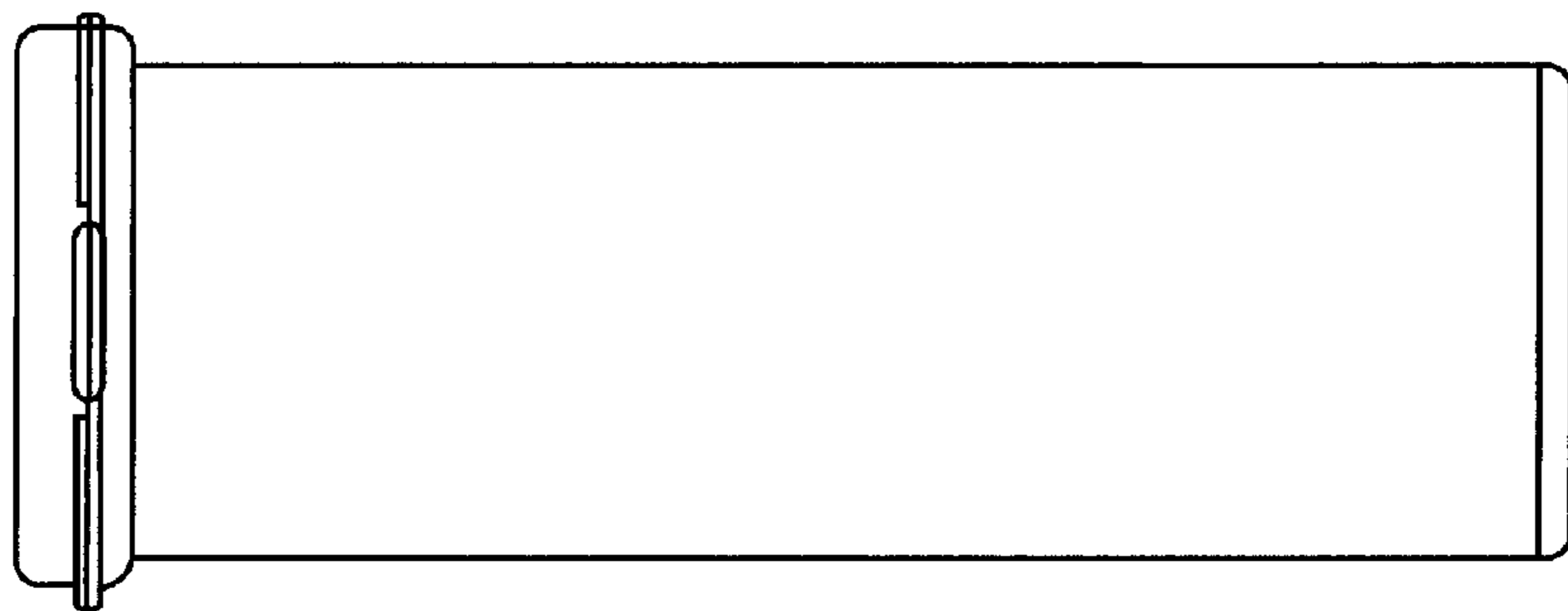


FIG. 3

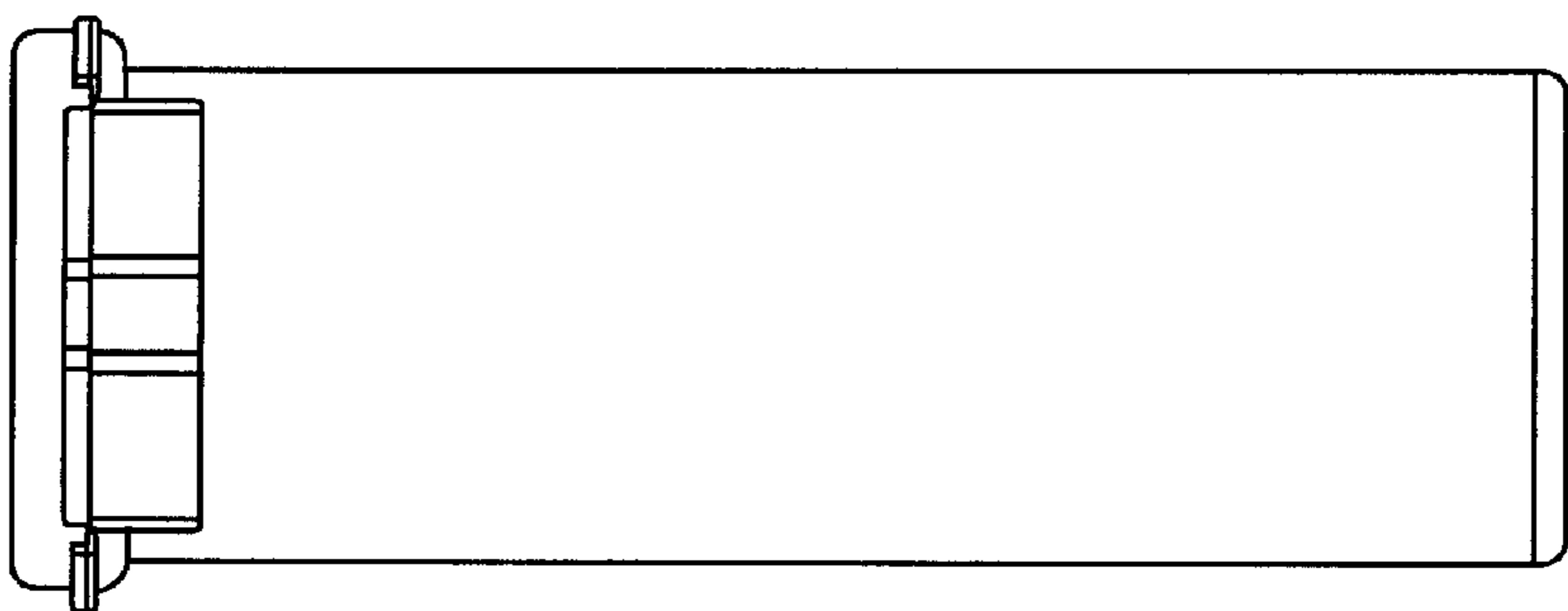


FIG. 2

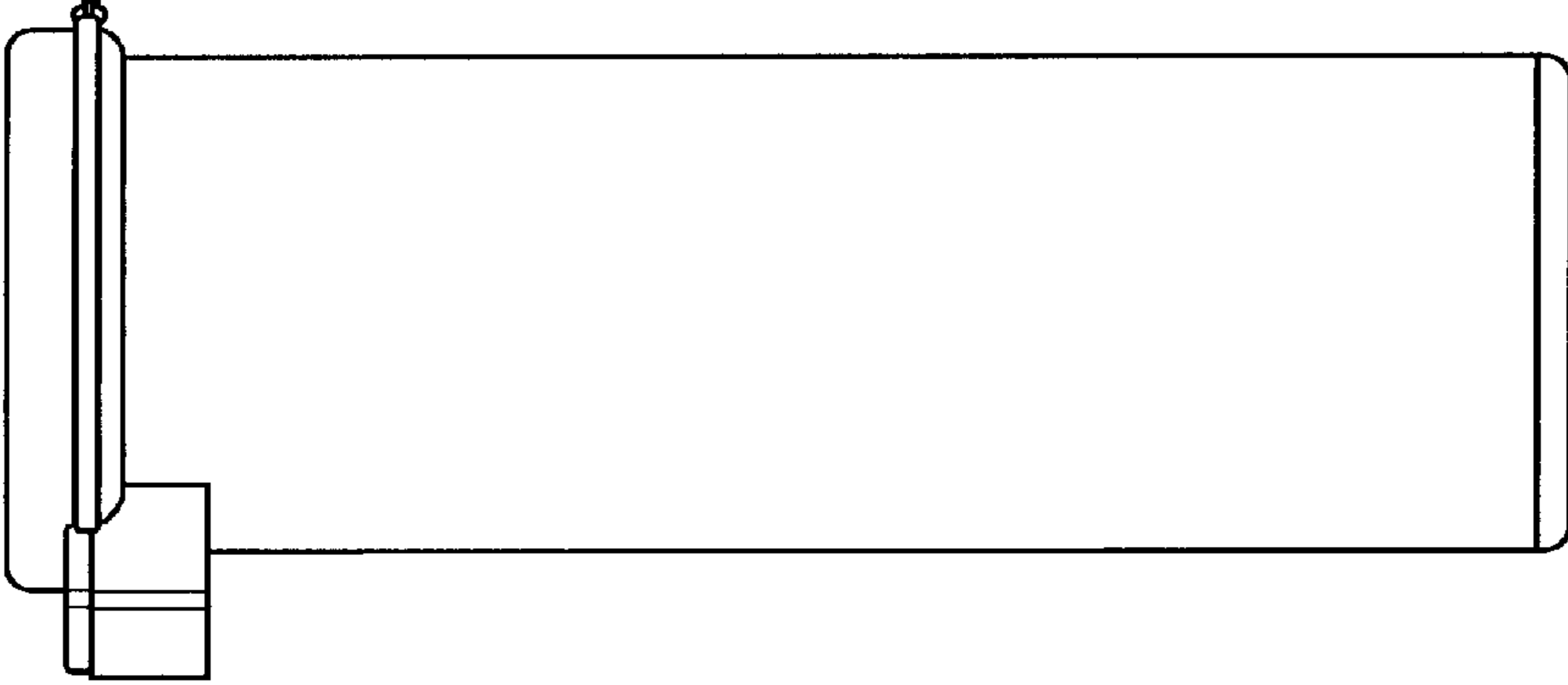


FIG. 4

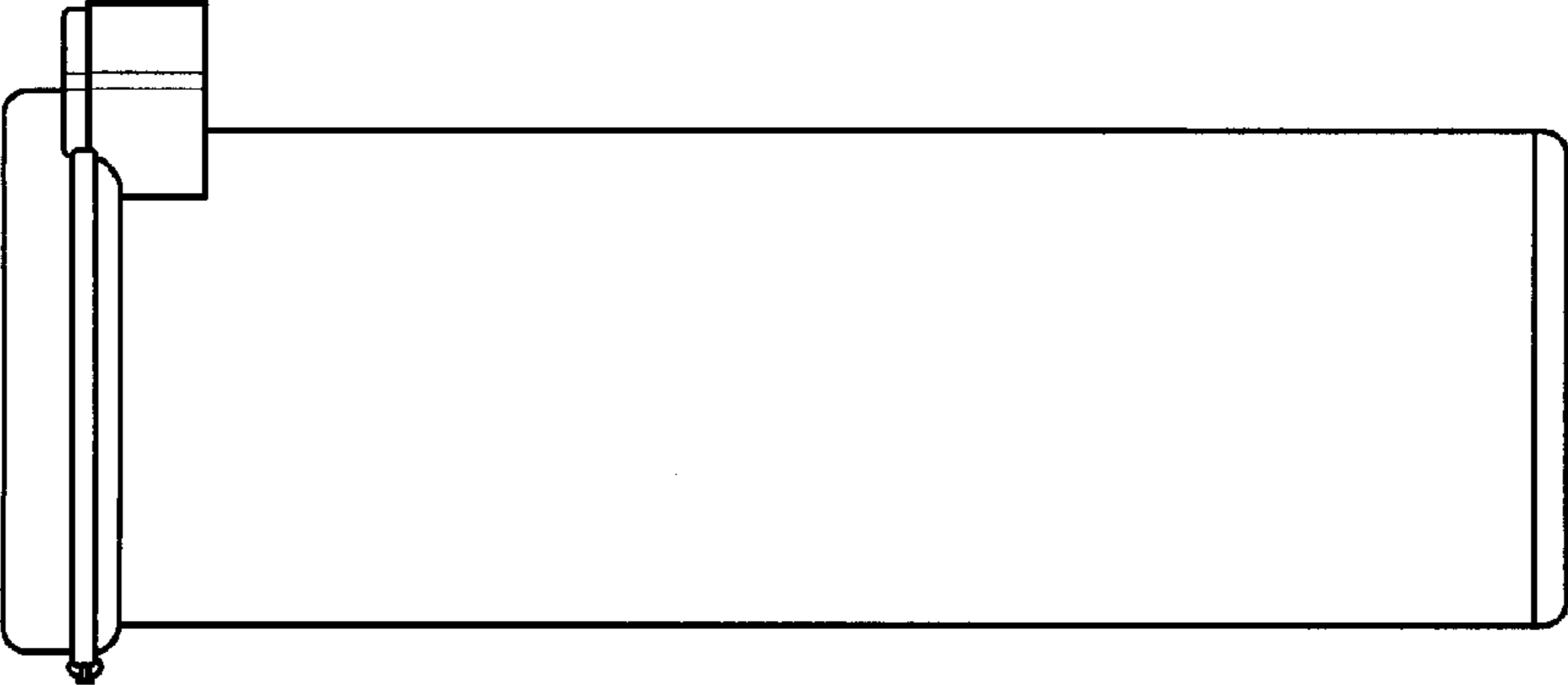


FIG. 5

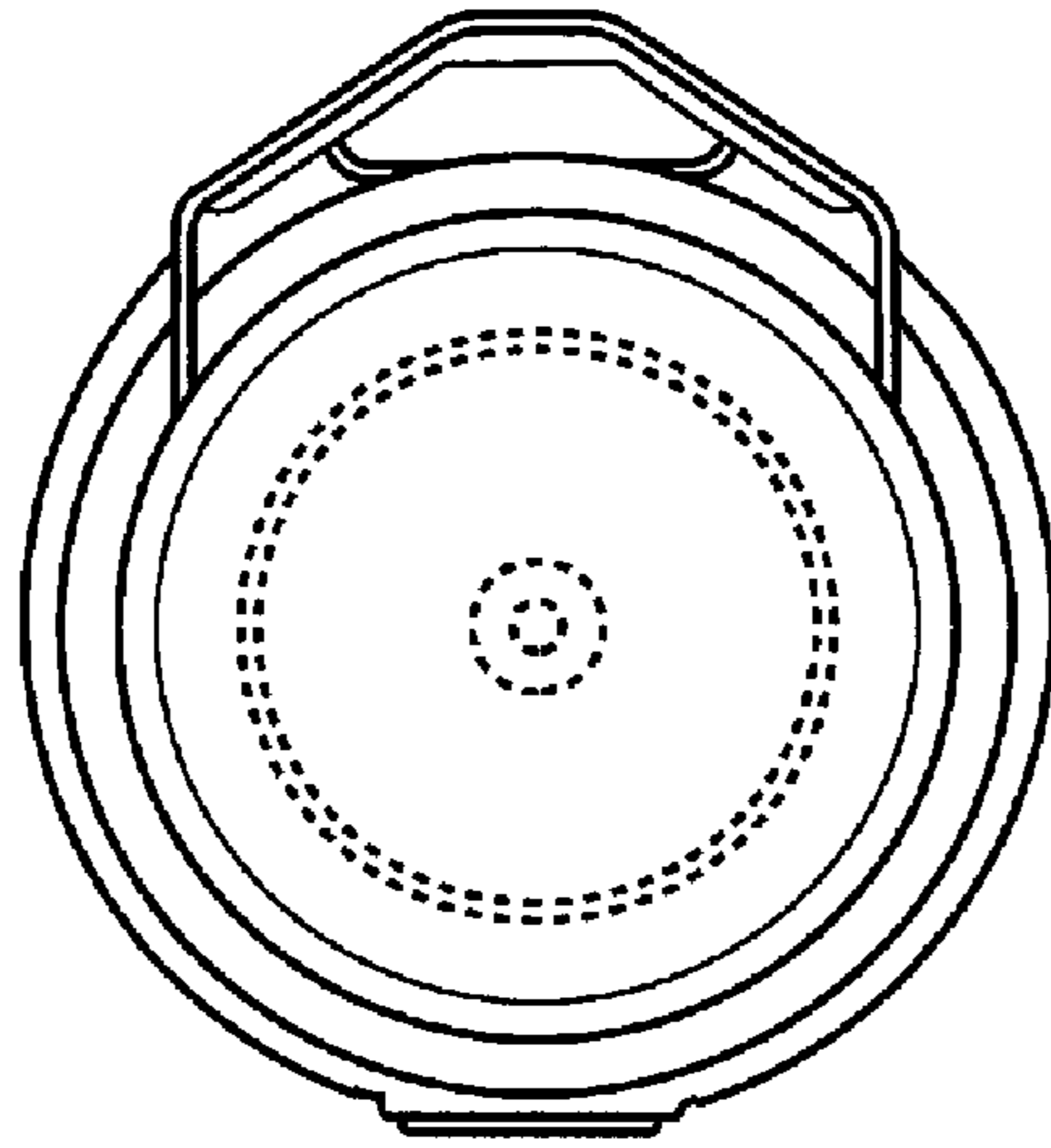


FIG. 7

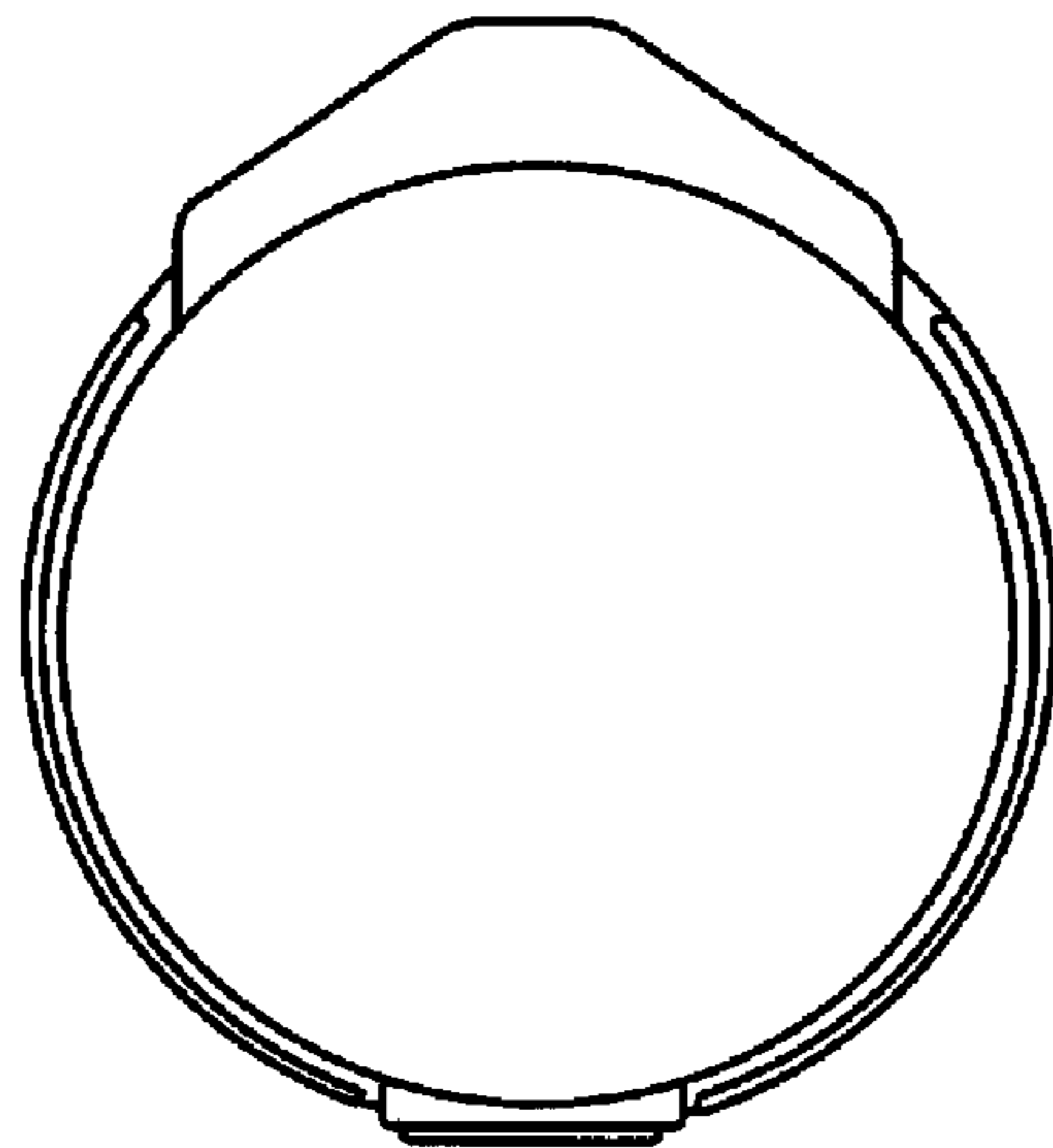


FIG. 6

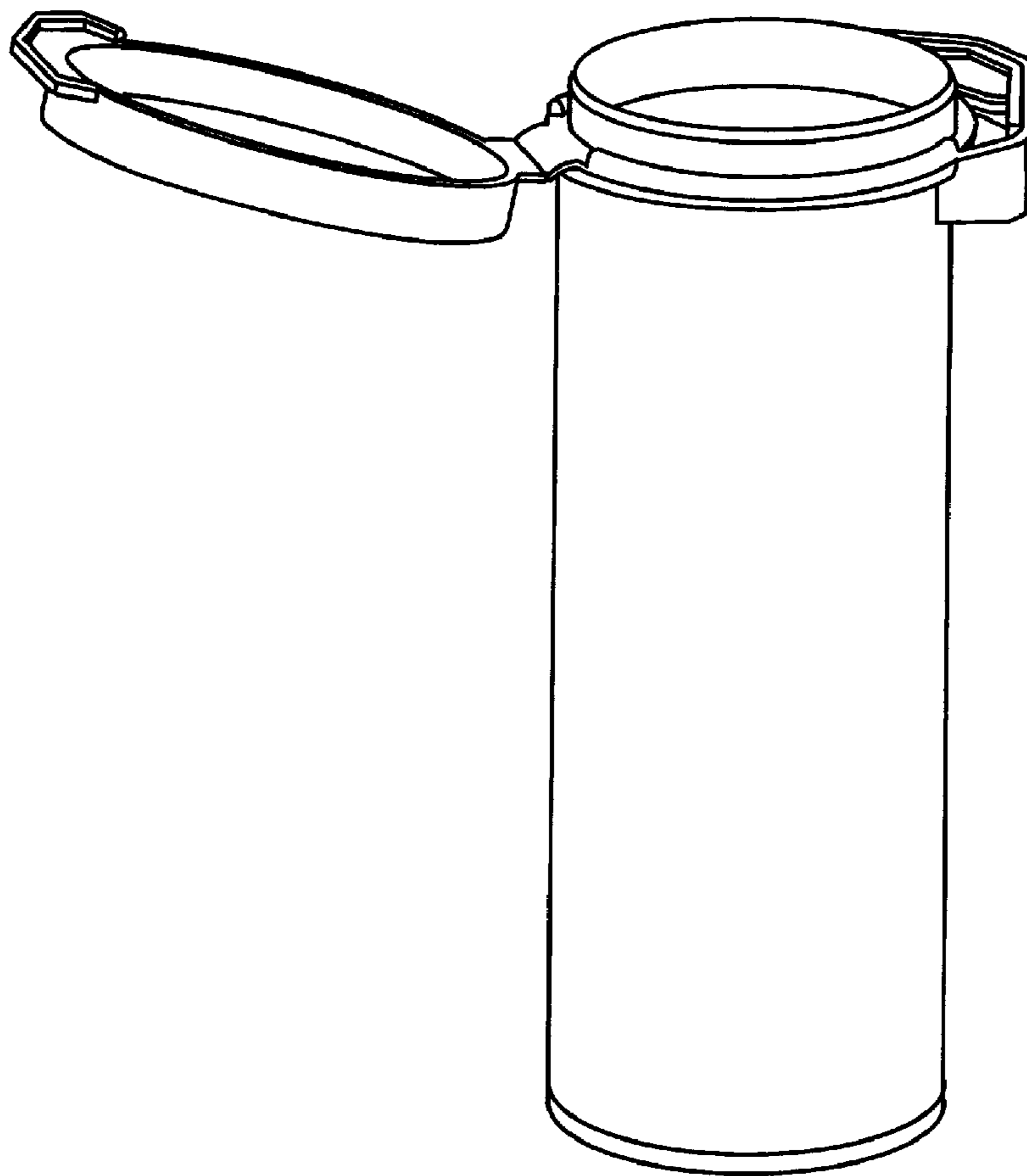


FIG. 8