



US00D598733S

(12) **United States Design Patent**  
**Taatjes et al.**

(10) **Patent No.:** **US D598,733 S**

(45) **Date of Patent:** **\*\* Aug. 25, 2009**

(54) **FILAMENT SPOOL**

(75) Inventors: **Thomas L. Taatjes**, Eden Prairie, MN (US); **Patrick W. Turley**, Eden Prairie, MN (US); **Martin G. Zalusky**, Bloomington, MN (US)

(73) Assignee: **Stratasys, Inc.**, Eden Prairie, MN (US)

(\*\*) Term: **14 Years**

(21) Appl. No.: **29/326,639**

(22) Filed: **Oct. 22, 2008**

(51) **LOC (9) Cl.** ..... **05-08**

(52) **U.S. Cl.** ..... **D8/358**

(58) **Field of Classification Search** ..... D8/359,  
D8/358, 356, 308; D14/475; D13/137.4;  
33/770, 755; 242/614.1, 605, 405, 405.3,  
242/378.4, 378.2, 171, 170; 239/198, 197;  
137/355.23–355.28, 355.2, 355.19, 15.08;  
128/205.22; D10/72

See application file for complete search history.

(56) **References Cited**

U.S. PATENT DOCUMENTS

D79,201 S *	8/1929	Mills	.....	D8/358
D230,703 S *	3/1974	Nelson	.....	D8/358
5,121,329 A	6/1992	Crump	.....	364/468
5,340,433 A	8/1994	Crump	.....	156/578
5,503,785 A	4/1996	Crump et al.	.....	264/40.7
D406,049 S *	2/1999	Bernat	.....	D8/358
D408,720 S *	4/1999	Sheng	.....	D8/359
5,939,008 A	8/1999	Comb et al.	.....	264/308
5,968,561 A	10/1999	Batchelder et al.	.....	425/375
6,022,207 A	2/2000	Dahlin et al.	.....	425/145
6,070,107 A	5/2000	Lombardi et al.	.....	700/119
6,085,957 A	7/2000	Zinniel et al.	.....	226/8
D436,111 S	1/2001	Hahn et al.	.....	D14/475
6,228,923 B1	5/2001	Lombardi et al.	.....	524/425
6,685,866 B2	2/2004	Swanson et al.	.....	264/308
6,715,710 B1 *	4/2004	Russell et al.	.....	242/605
6,722,872 B1	4/2004	Swanson et al.	.....	425/225
6,776,602 B2	8/2004	Swanson et al.	.....	425/376.1

6,790,403 B1	9/2004	Priedeman, Jr. et al.	.....	264/442
6,991,197 B2 *	1/2006	Cox et al.	.....	242/614.1
7,063,285 B1	6/2006	Turley et al.	.....	242/171
7,169,337 B2	1/2007	Swanson et al.	.....	264/39
D557,118 S *	12/2007	Linginfelter	.....	D8/358
7,341,214 B2	3/2008	Taatjes et al.	.....	242/170
7,384,255 B2	6/2008	LaBossiere et al.	.....	425/190
2007/0228590 A1	10/2007	LaBossiere et al.	.....	264/40.1

\* cited by examiner

*Primary Examiner*—Susan Bennett Hattan

(74) *Attorney, Agent, or Firm*—Westman, Champlin & Kelly, P.A.

(57) **CLAIM**

The ornamental design for a filament spool, as shown and described.

**DESCRIPTION**

Reference is hereby made to co-filed U.S. patent application Ser. No. 12/255,808, entitled “Filament Spool”, U.S. patent application Ser. No. 12/255,811, entitled “Filament Guide Mechanism For Filament Spool Container”; and to co-filed U.S. Design patent application Ser. No. 29/326,638, entitled “Filament Spool Container”.

FIG. 1 is a top front perspective view of a first embodiment thereof;

FIG. 2 is a bottom front perspective view thereof;

FIG. 3 is a top view thereof;

FIG. 4 is a bottom view thereof;

FIG. 5 is a front view thereof;

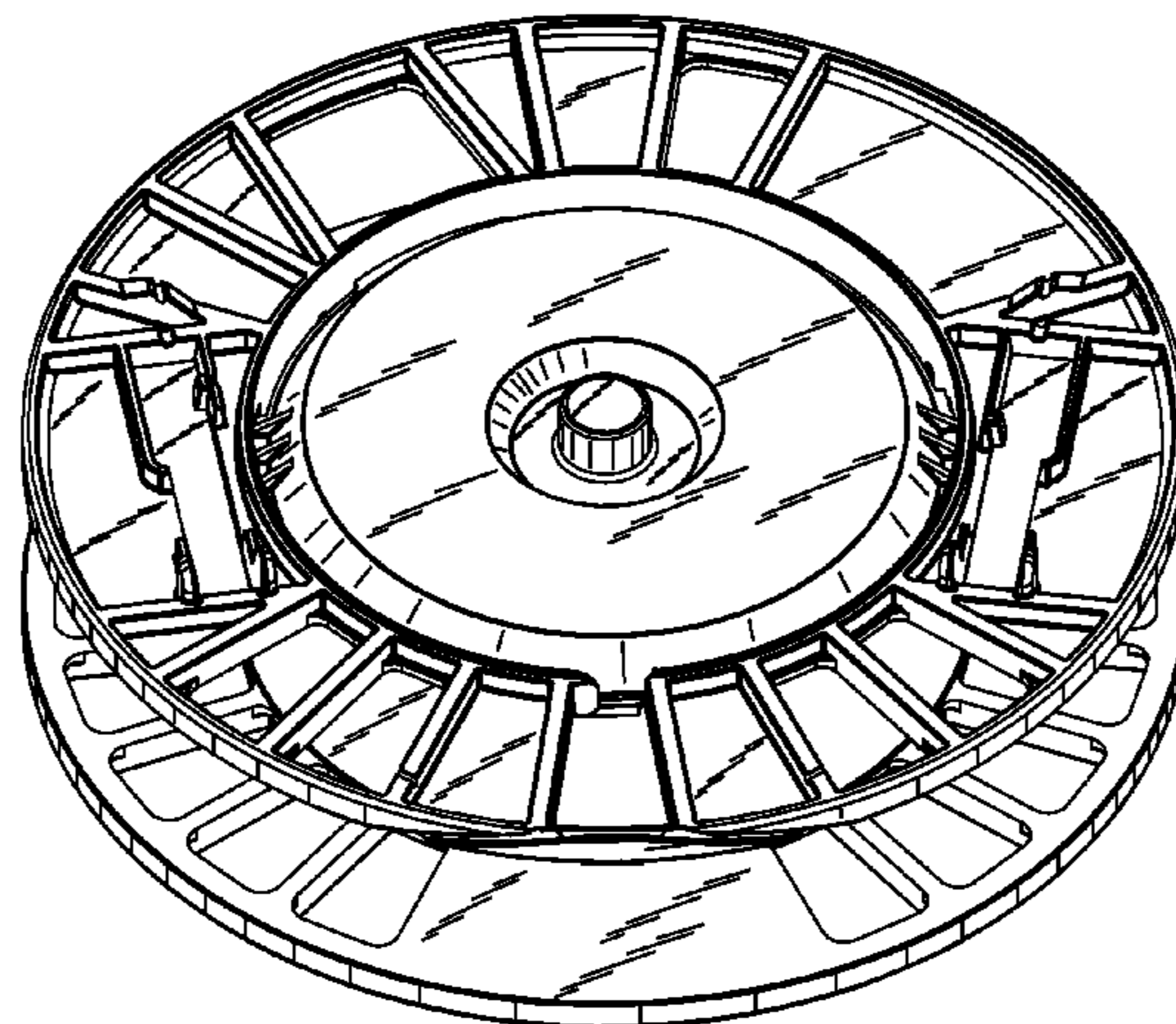
FIG. 6 is a rear view thereof;

FIG. 7 is a left side view thereof; and,

FIG. 8 is a right side view thereof.

Features illustrated with dashed lines are not considered features of the invention being claimed, but rather illustrate an exemplary environment for the claimed features illustrated with solid lines.

**1 Claim, 6 Drawing Sheets**



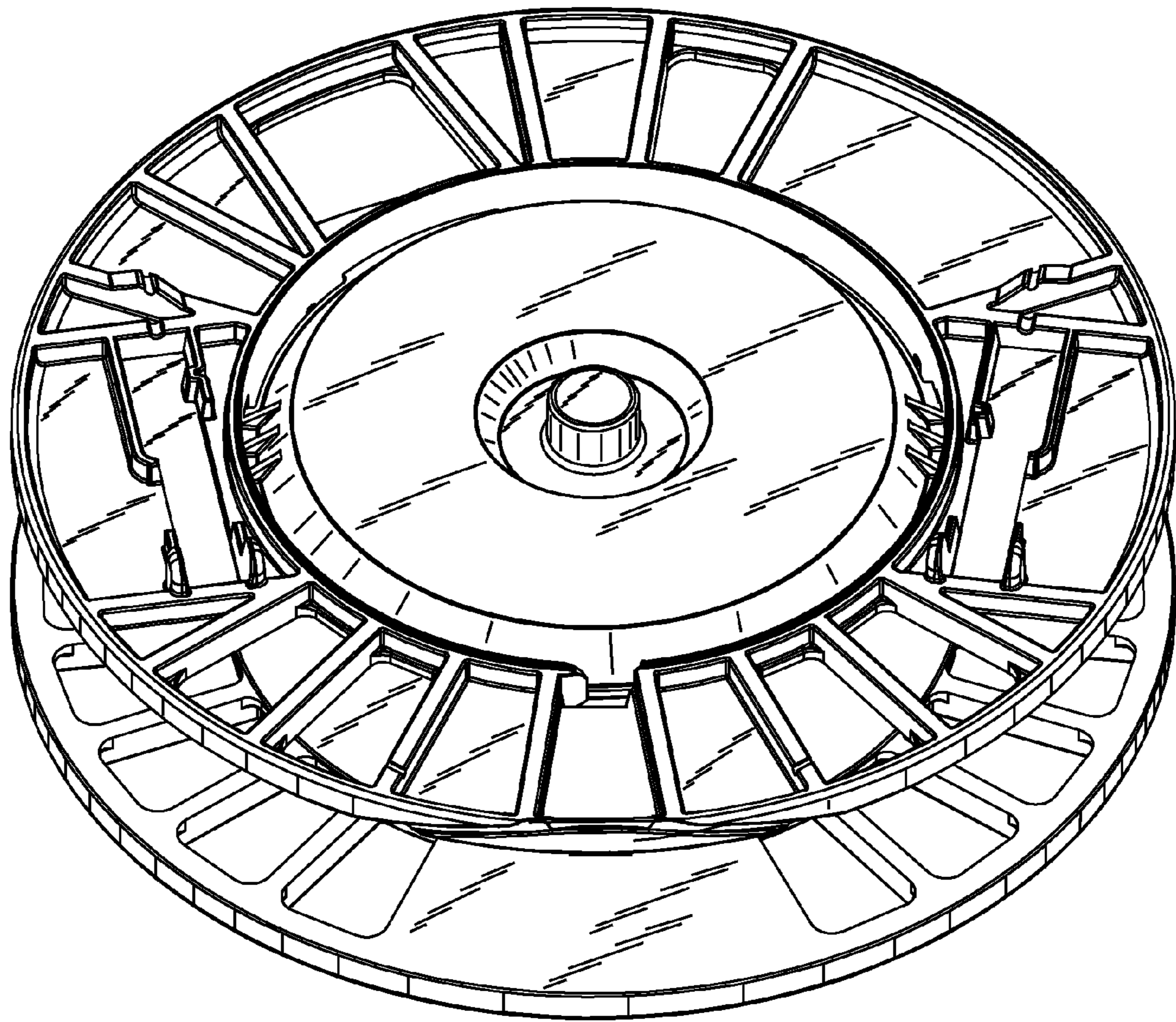


FIG. 1

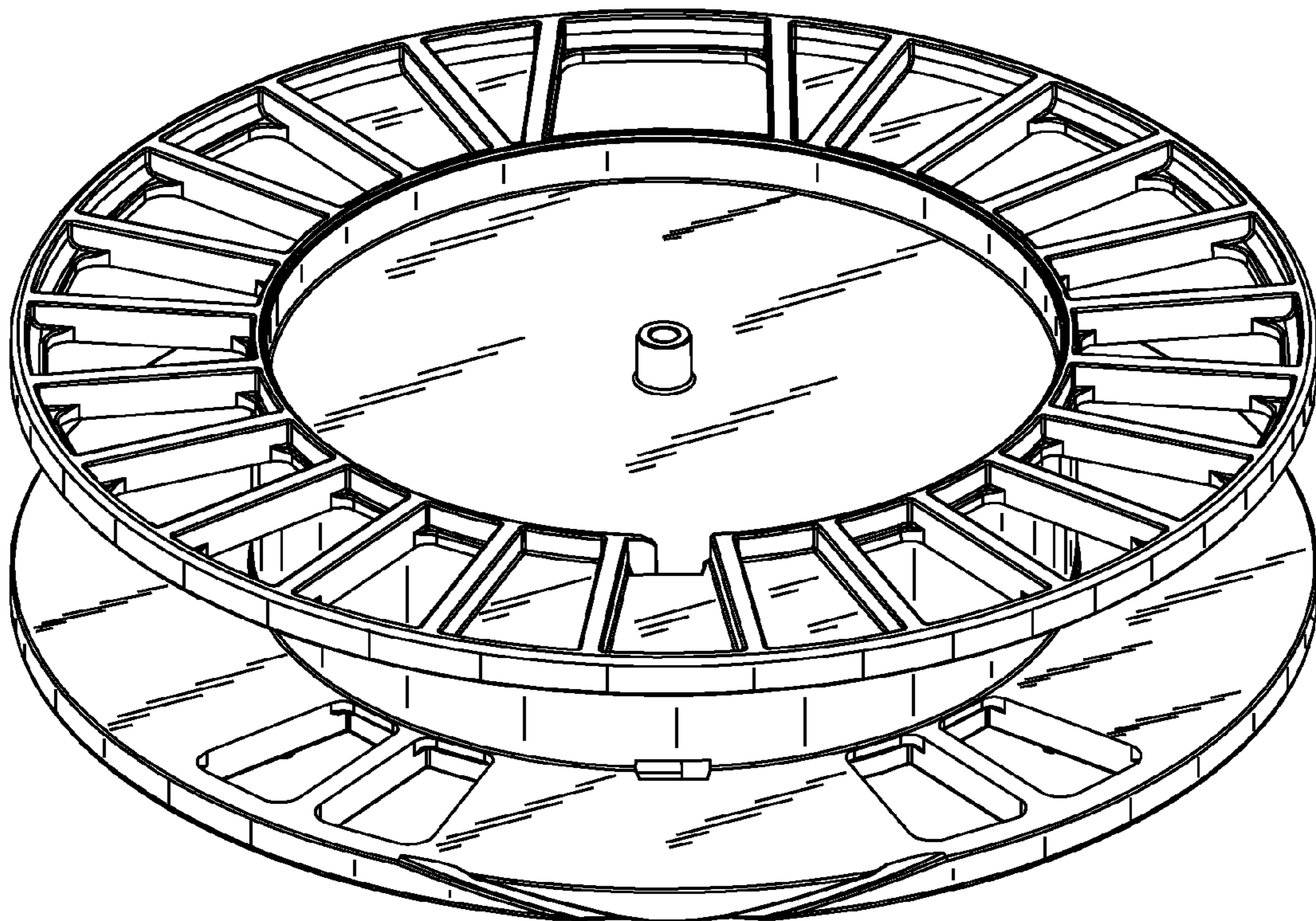


FIG. 2

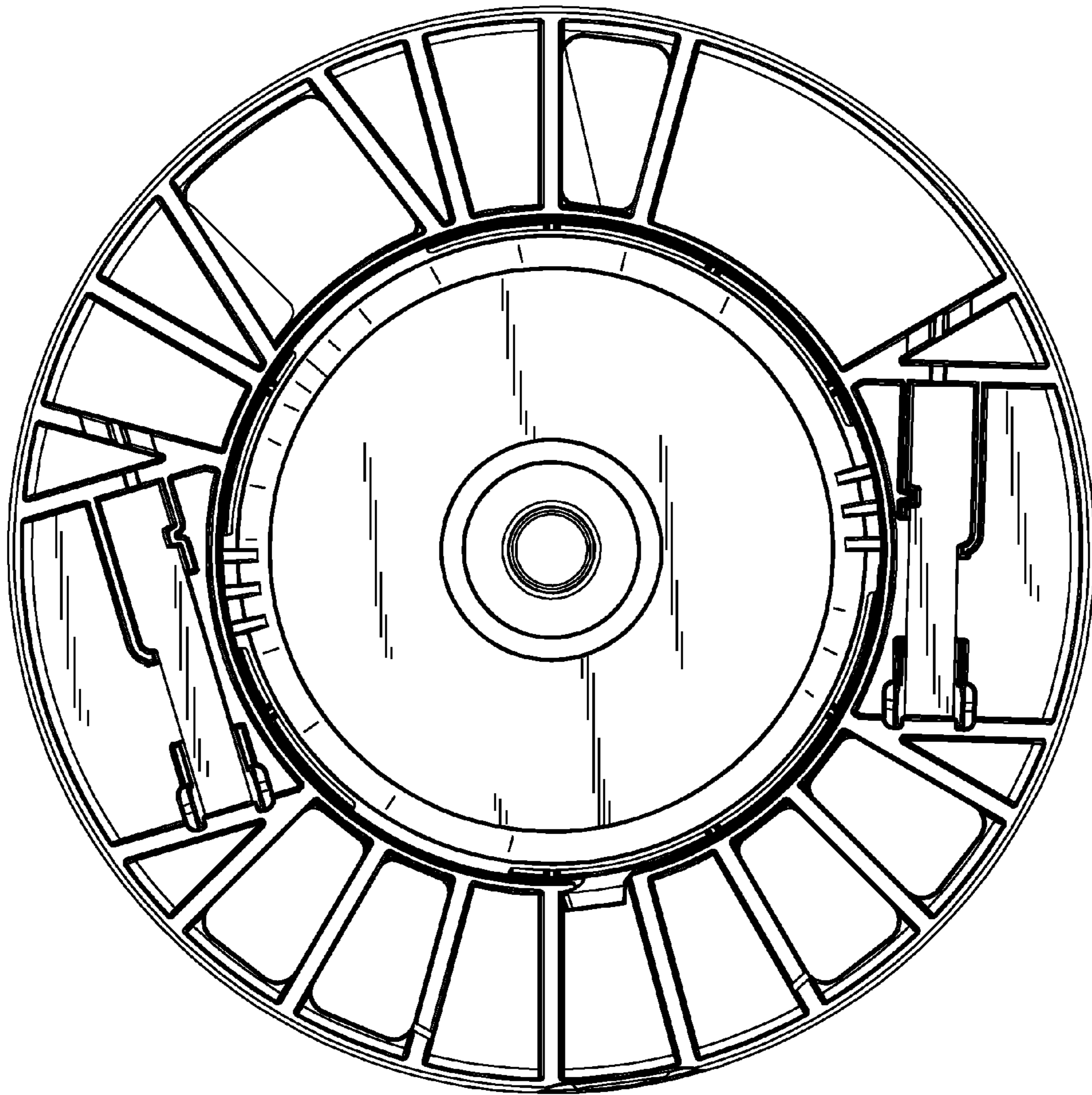


FIG. 3

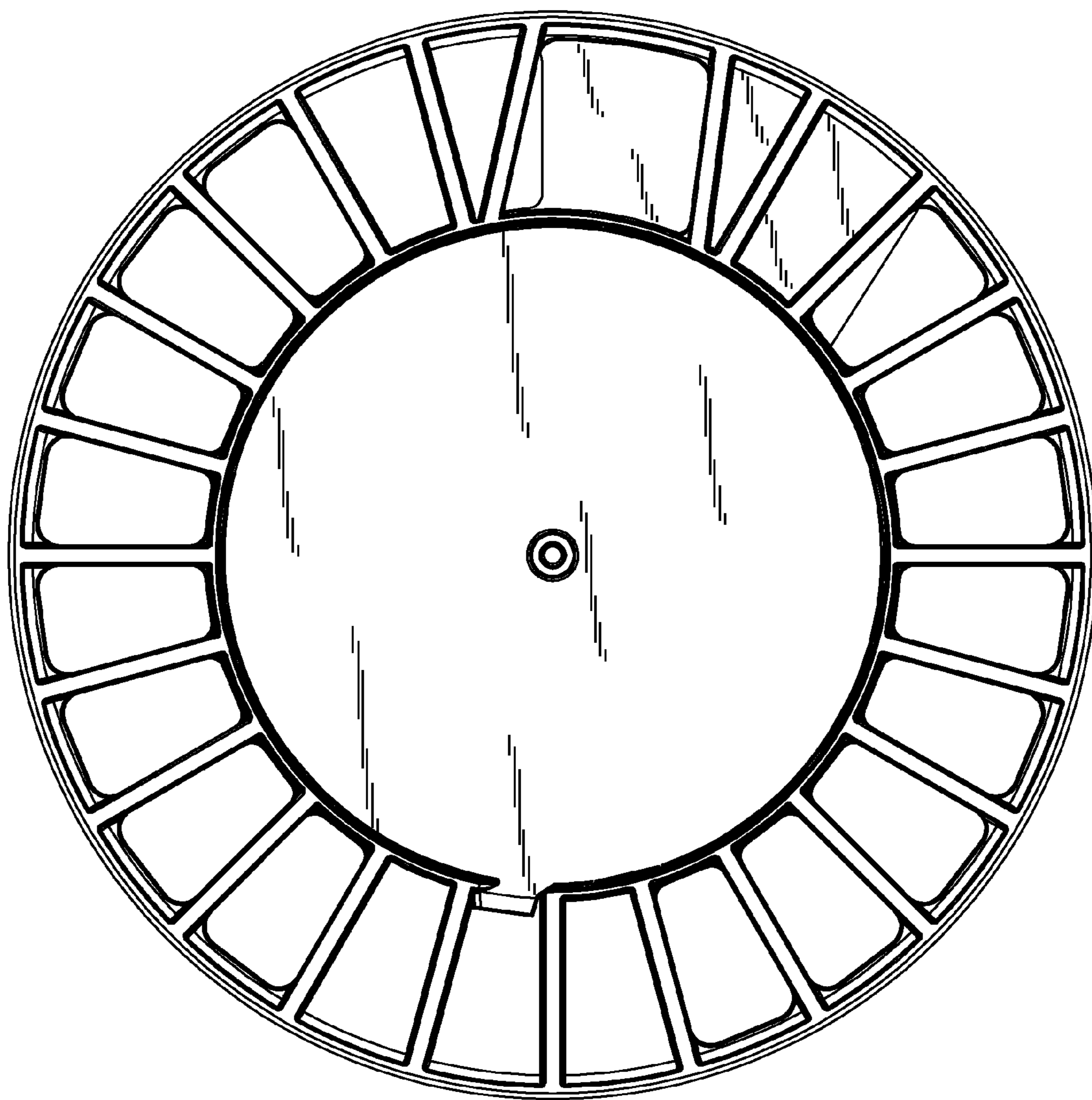


FIG. 4

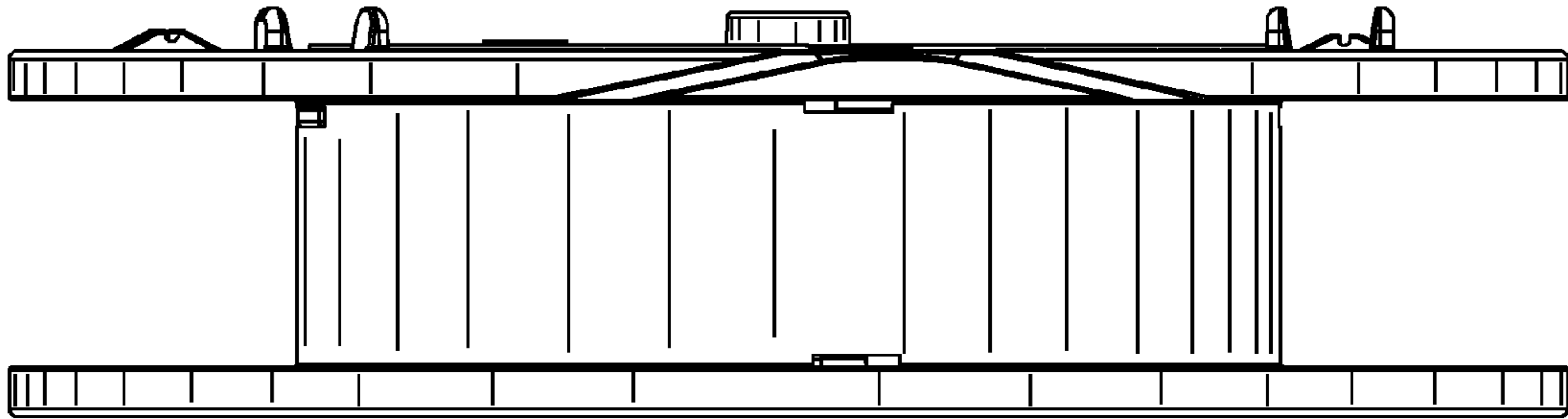


FIG. 5

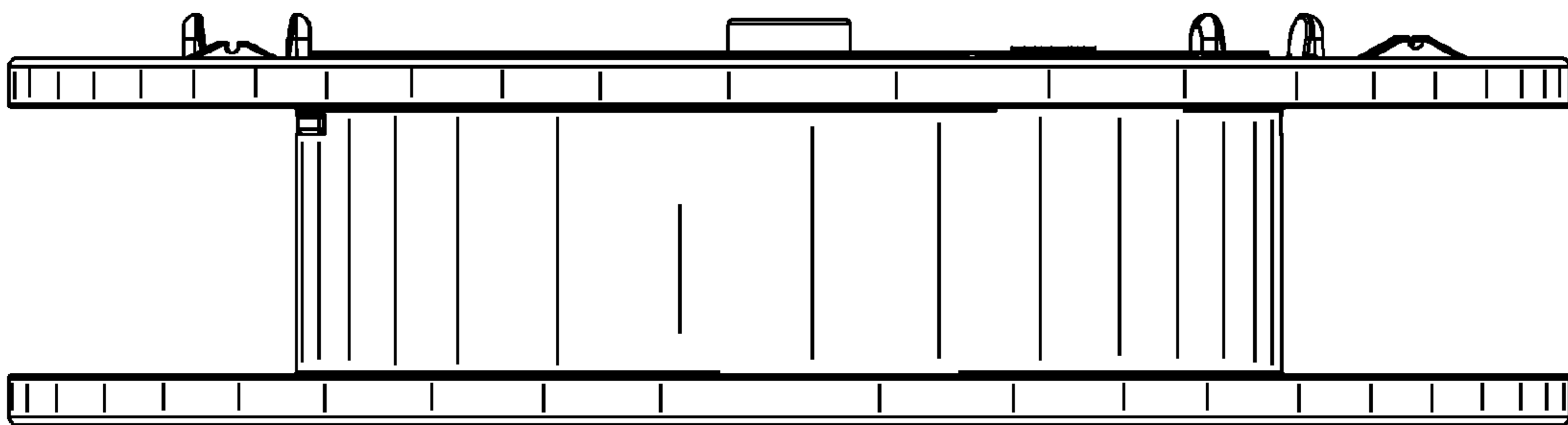


FIG. 6

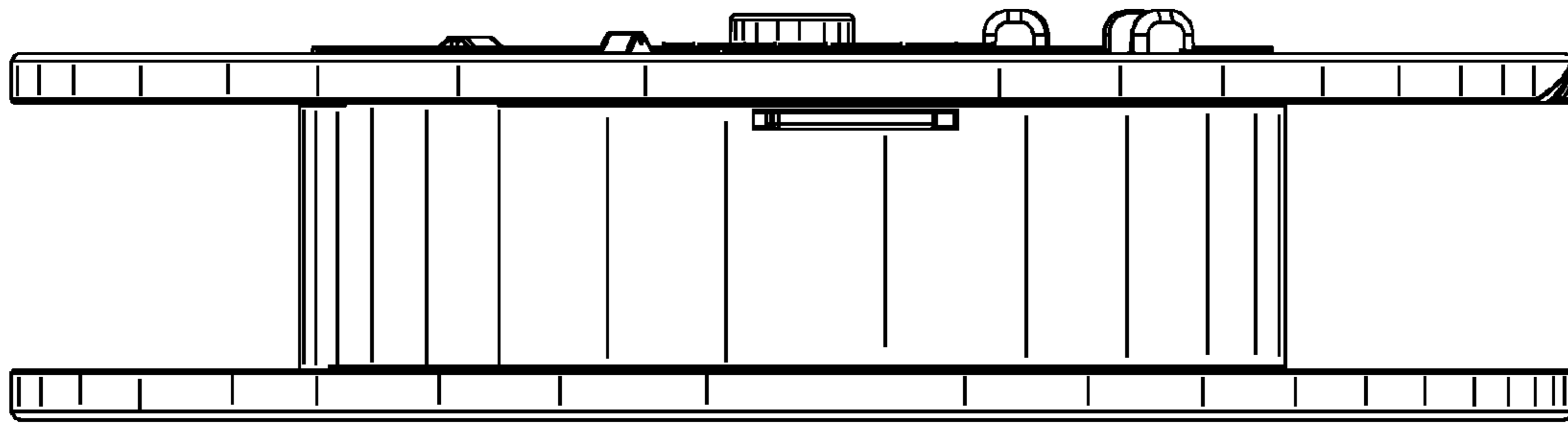


FIG. 7

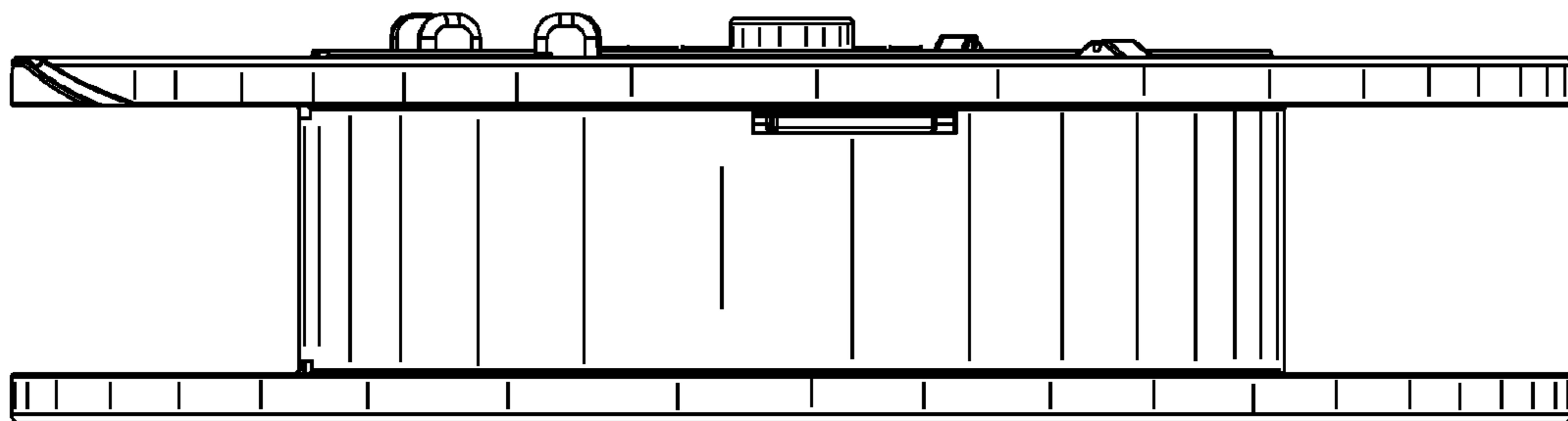


FIG. 8