



US00D598730S

(12) **United States Design Patent**
Luo et al.

(10) **Patent No.:** **US D598,730 S**
(45) **Date of Patent:** **** Aug. 25, 2009**

(54) **ULTRASONIC SENSORS MOUNTING SUPPORT**

(75) Inventors: **Jun Luo**, Guangzhou (CN); **Desheng Li**, Guangzhou (CN)

(73) Assignee: **Weiwēn Yan**, Guangzhou (CN)

(**) Term: **14 Years**

(21) Appl. No.: **29/282,551**

(22) Filed: **Jul. 24, 2007**

(30) **Foreign Application Priority Data**

Jan. 26, 2007 (CN) 2007 3 0047020

(51) **LOC (9) Cl.** **08-05**

(52) **U.S. Cl.** **D8/354**

(58) **Field of Classification Search** D8/349,
D8/354, 364, 373, 380, 382; 248/682, 205.1;
73/493, 627, 628, 632, 649; 310/322, 334-337;
367/140, 188; 293/117

See application file for complete search history.

(56) **References Cited**

U.S. PATENT DOCUMENTS

D25,027 S * 12/1895 Gunn D8/354
5,301,170 A * 4/1994 James 367/188
D407,296 S * 3/1999 Nagato D8/354

D423,328 S * 4/2000 Burrows D8/354
6,774,352 B2 * 8/2004 Koyama et al. 250/221
D547,637 S * 7/2007 Blacker D8/354
7,357,431 B2 * 4/2008 Sato et al. 293/117
2003/0106992 A1 * 6/2003 Koyama et al. 250/221
2007/0062292 A1 * 3/2007 Sato et al. 73/649

* cited by examiner

Primary Examiner—Holly H Baynham

Assistant Examiner—Cynthia M Chin

(74) *Attorney, Agent, or Firm*—Knoble Yoshida & Dunleavy, LLC

(57) **CLAIM**

The ornamental design for an ultrasonic sensors mounting support, as shown and described.

DESCRIPTION

FIG. 1 is a perspective view of an ultrasonic sensors mounting support, showing the new design.

FIG. 2 is a top plan view thereof;

FIG. 3 is a front elevational view thereof;

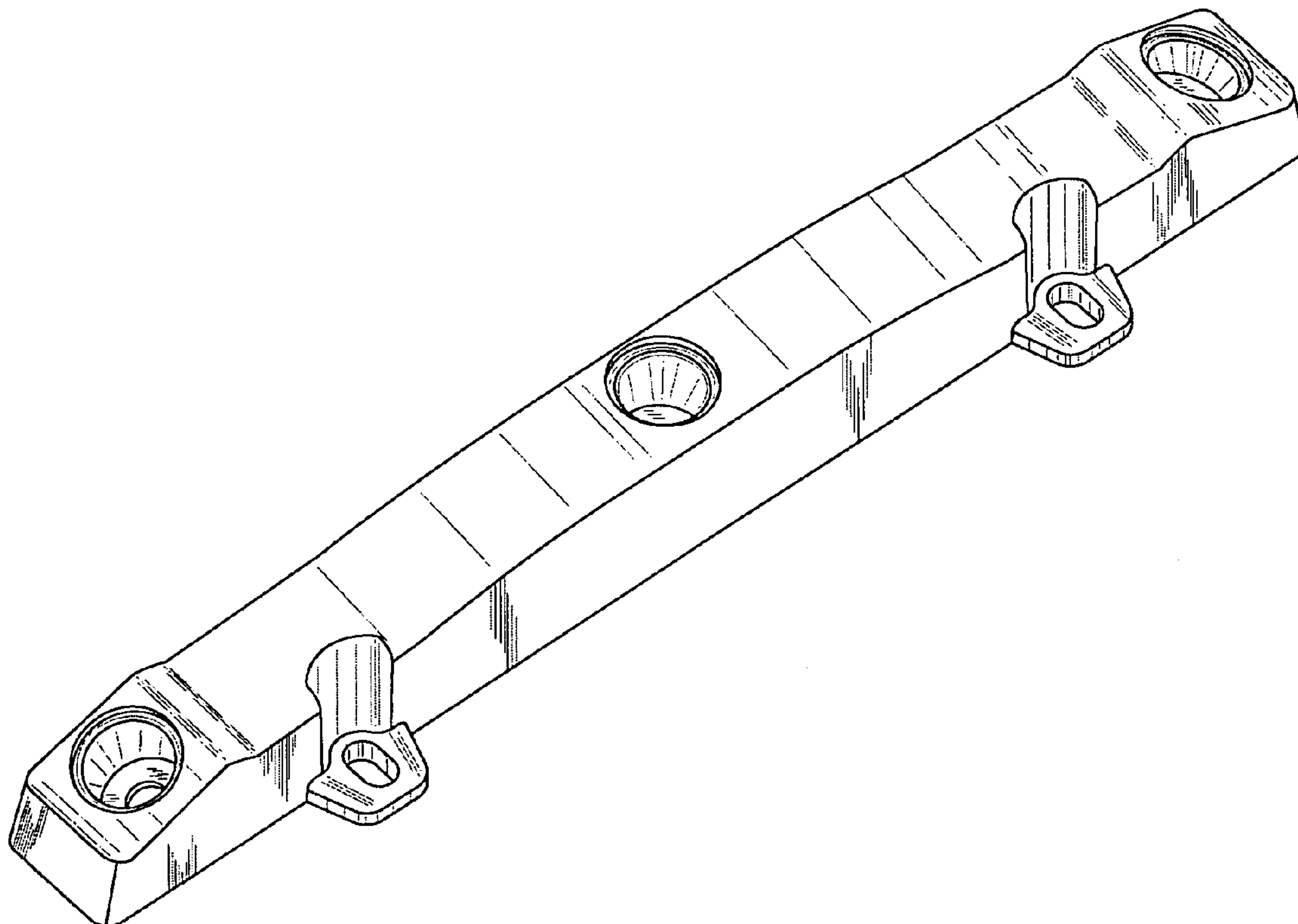
FIG. 4 is a left side elevational view thereof;

FIG. 5 is a right side elevational view thereof;

FIG. 6 is a bottom plan view thereof; and,

FIG. 7 is a rear elevational view thereof.

1 Claim, 3 Drawing Sheets



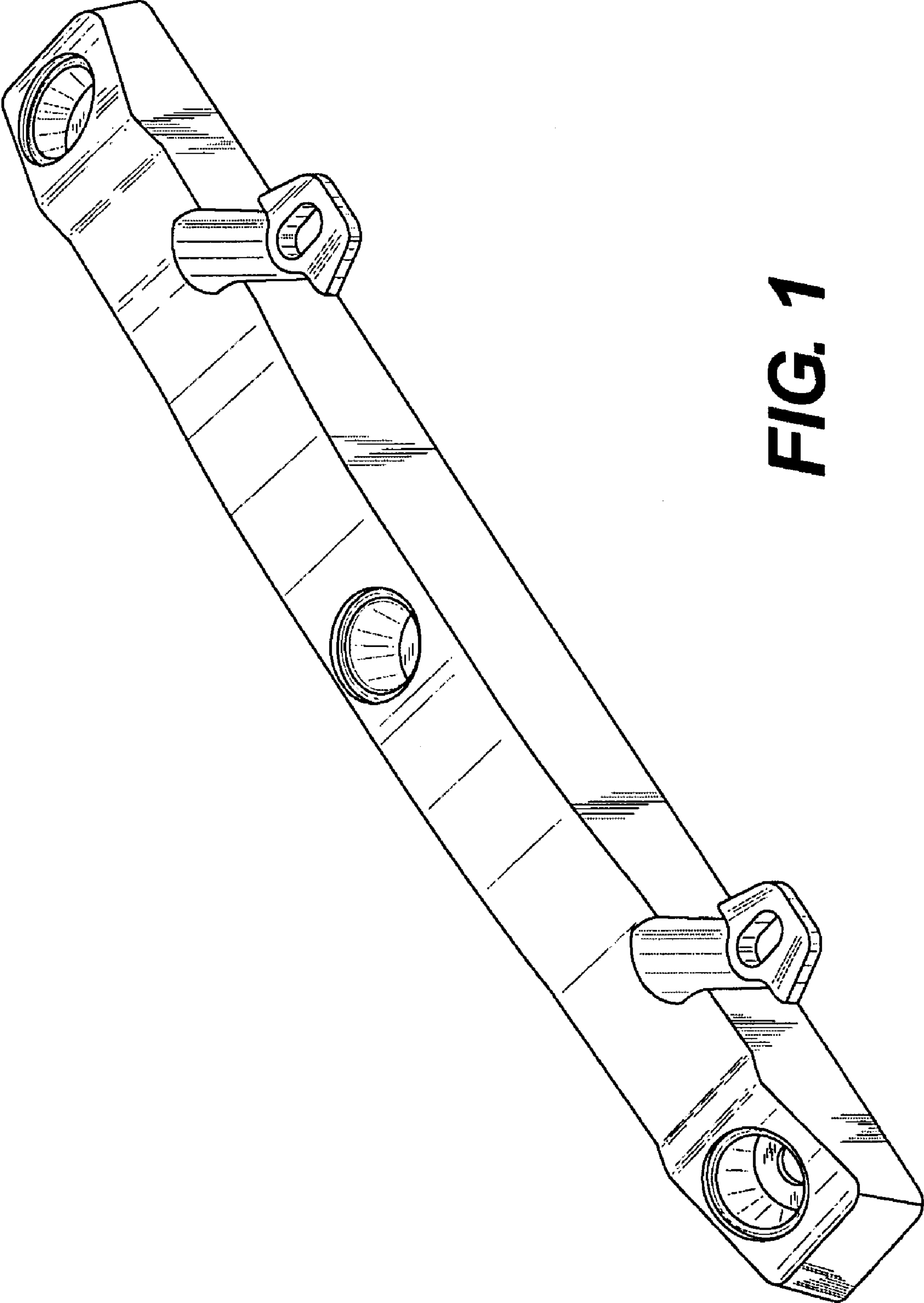


FIG. 1

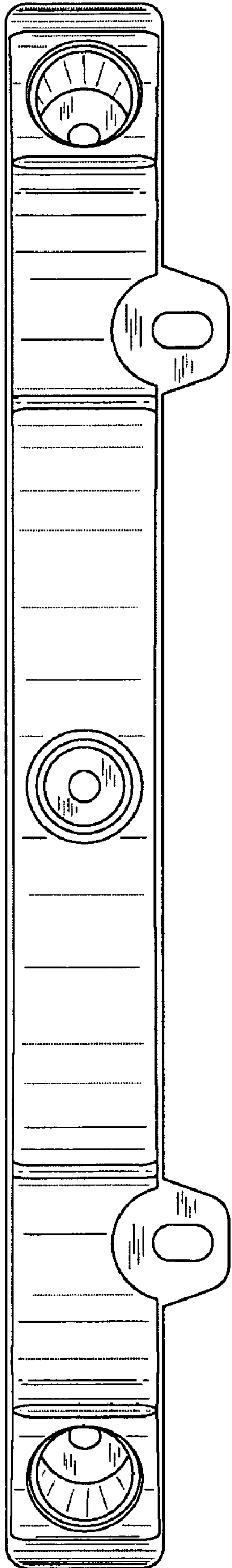


FIG. 2

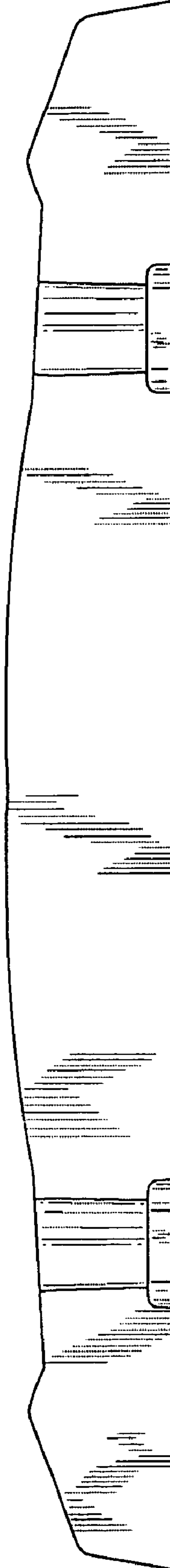


FIG. 3

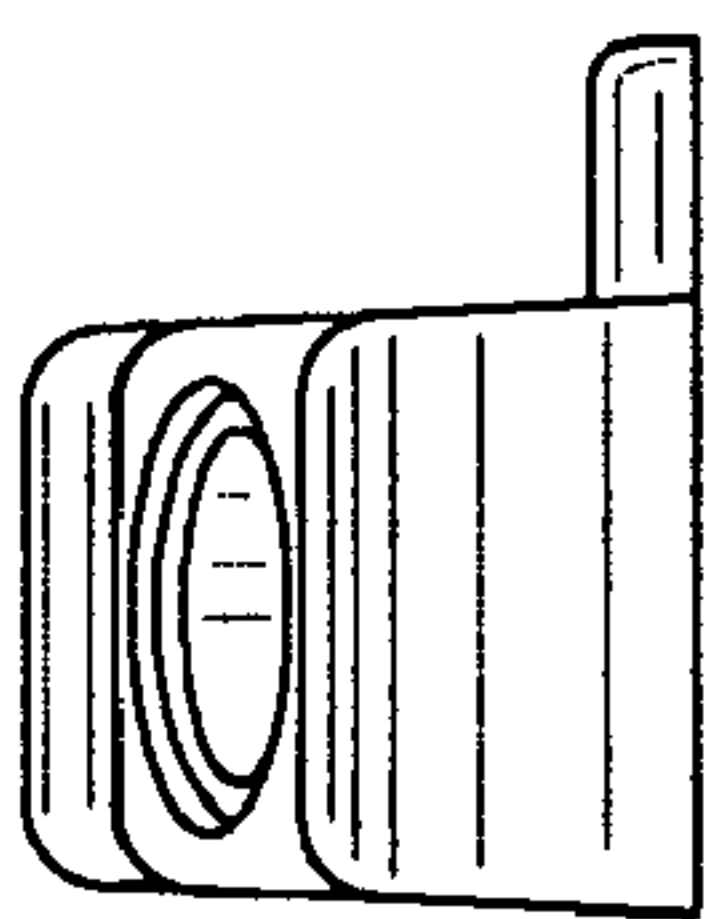


FIG. 4

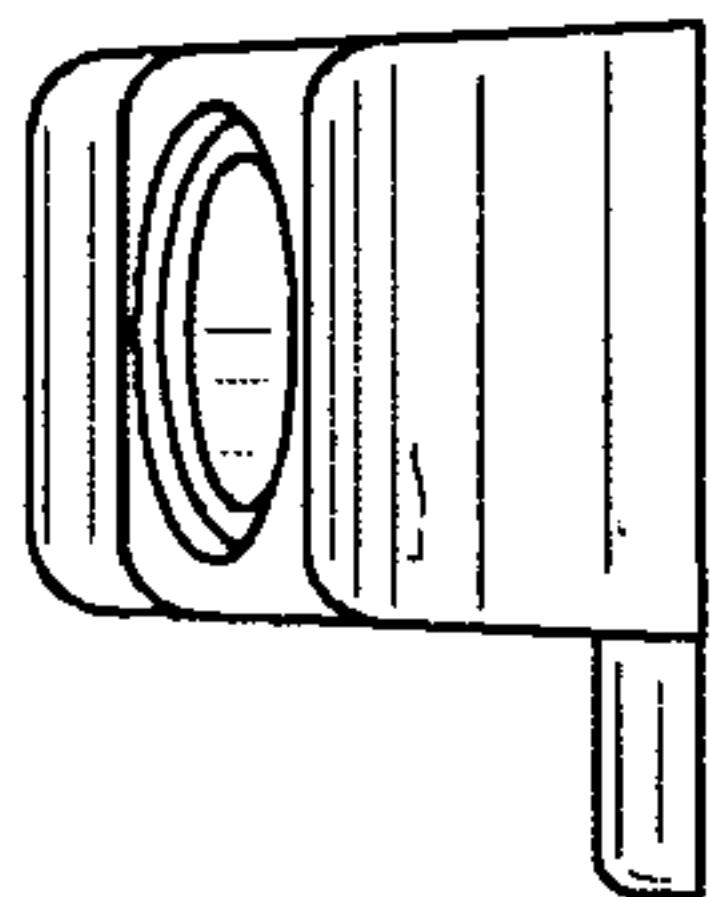


FIG. 5

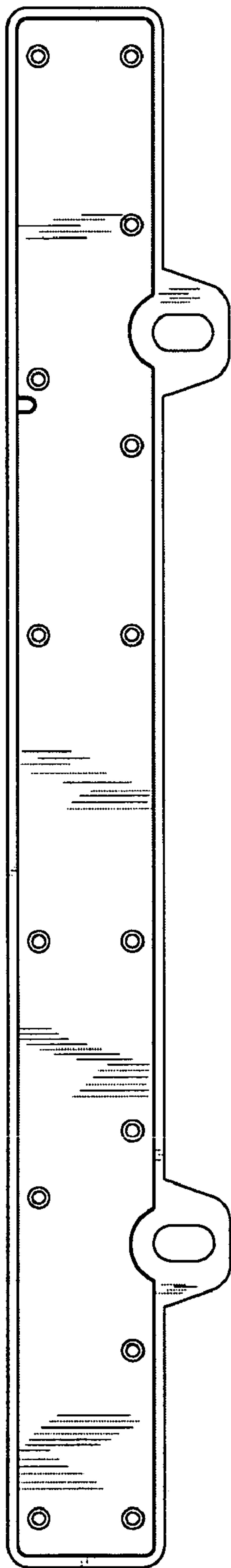


FIG. 6

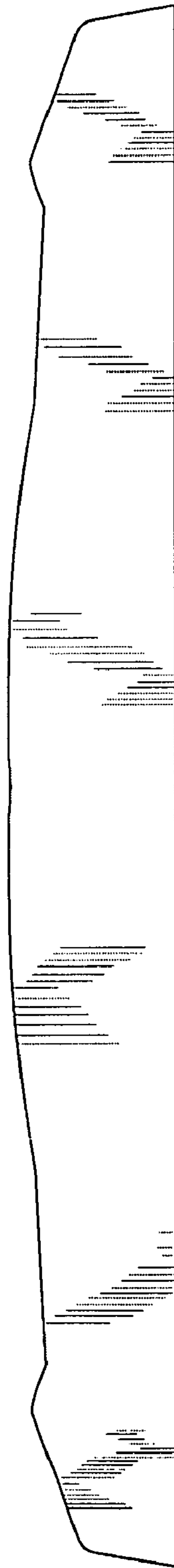


FIG. 7