



US00D598729S

(12) **United States Design Patent**  
**Eschweiler et al.**

(10) **Patent No.:** **US D598,729 S**

(45) **Date of Patent:** **\*\* Aug. 25, 2009**

(54) **INSIDE DOOR HANDLE FOR MOTOR VEHICLE**

(75) Inventors: **Kevin P. Eschweiler**, New Hampton, IA (US); **Barbara J. Pickar**, New Hampton, IA (US); **Douglas W. Smith**, Ridgefield, CT (US)

(73) Assignee: **Trimark Corporation**, New Hampton, IA (US)

(\*\*) Term: **14 Years**

(21) Appl. No.: **29/319,646**

(22) Filed: **Jun. 12, 2008**

**Related U.S. Application Data**

(62) Division of application No. 29/276,503, filed on Jan. 26, 2007.

(51) **LOC (9) Cl.** ..... **08-06**

(52) **U.S. Cl.** ..... **D8/302**

(58) **Field of Classification Search** ..... D8/300, D8/301, 302, 306, 312, 313, 331, 343, 353; D12/196; 16/110.1, 412; 70/208; 292/165, 292/169.11, 336.3, 337, 173, 48

See application file for complete search history.

(56) **References Cited**

**U.S. PATENT DOCUMENTS**

2,427,386	A	9/1947	Claud-Mantle	
2,642,300	A *	6/1953	Pelcin	292/173
D304,155	S *	10/1989	Russell et al.	D8/303
5,439,260	A *	8/1995	Weinerman et al.	292/48
D373,298	S	9/1996	Miehe et al.	
D386,962	S *	12/1997	Greener	D8/313
5,927,773	A	7/1999	Larsen et al.	
D419,421	S	1/2000	Larsen et al.	
D427,045	S	6/2000	Larsen et al.	

D427,882	S *	7/2000	Wytcherley et al.	D8/331
D459,969	S	7/2002	Larsen et al.	
D460,680	S *	7/2002	Weinerman et al.	D8/353
6,412,145	B1 *	7/2002	Rubel	16/412
6,543,821	B1	4/2003	Weinerman et al.	
6,708,537	B1	3/2004	Eschweiler et al.	
D489,957	S	5/2004	Lane	
D496,576	S	9/2004	Pickar et al.	
D504,803	S *	5/2005	Misner et al.	D8/302
D510,252	S *	10/2005	Larson	D8/313
D519,823	S	5/2006	Pickar et al.	
7,237,411	B2	7/2007	Pantke et al.	
D564,855	S	3/2008	Hidding et al.	

**OTHER PUBLICATIONS**

TriMark "30-425 Inside Bezel & Release Lever Assembly" ISO 9001 Aug. 1994, 2 pages.

\* cited by examiner

*Primary Examiner*—Paula Greene

(74) *Attorney, Agent, or Firm*—McKee, Voorhees & Sease, P.L.C.

(57) **CLAIM**

We claim the ornamental design for an inside door handle for motor vehicle, substantially as shown and described.

**DESCRIPTION**

FIG. 1 is a perspective view of an inside door handle for a motor vehicle showing our new design, the bottom plan view is not part of the claimed design.

FIG. 2 is a top plan view of the handle.

FIG. 3 is a side elevational view thereof.

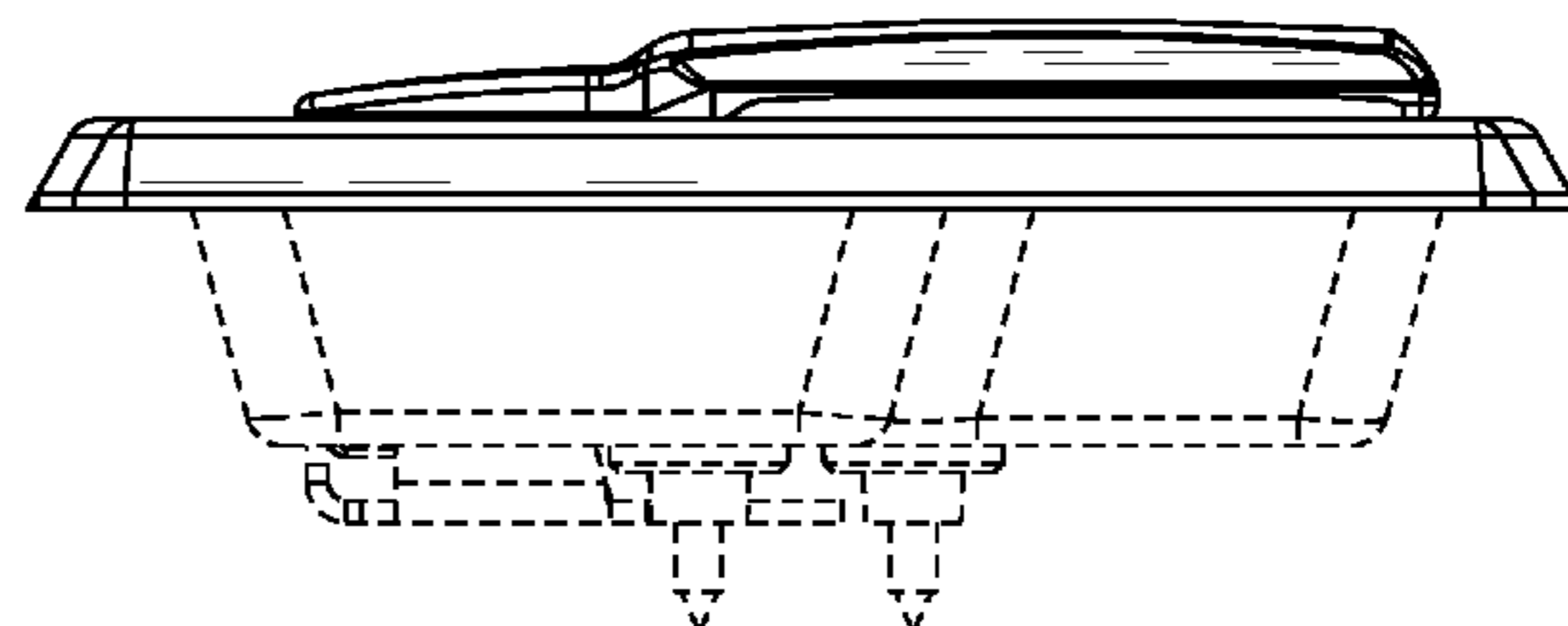
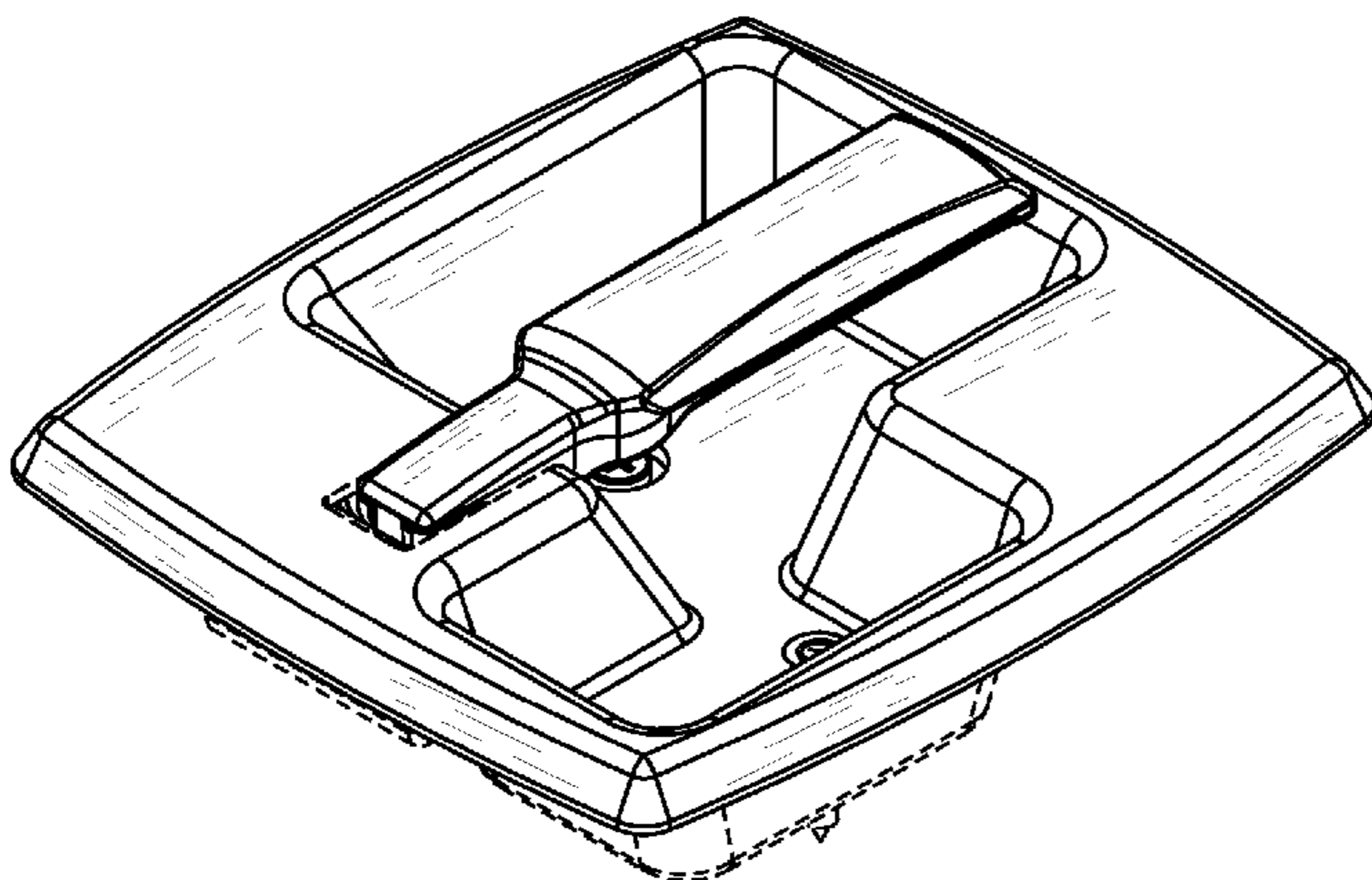
FIG. 4 is an opposite side elevational view thereof.

FIG. 5 is an end elevational view thereof; and,

FIG. 6 is an opposite end view thereof.

The broken lines form no part of the claimed design.

**1 Claim, 3 Drawing Sheets**



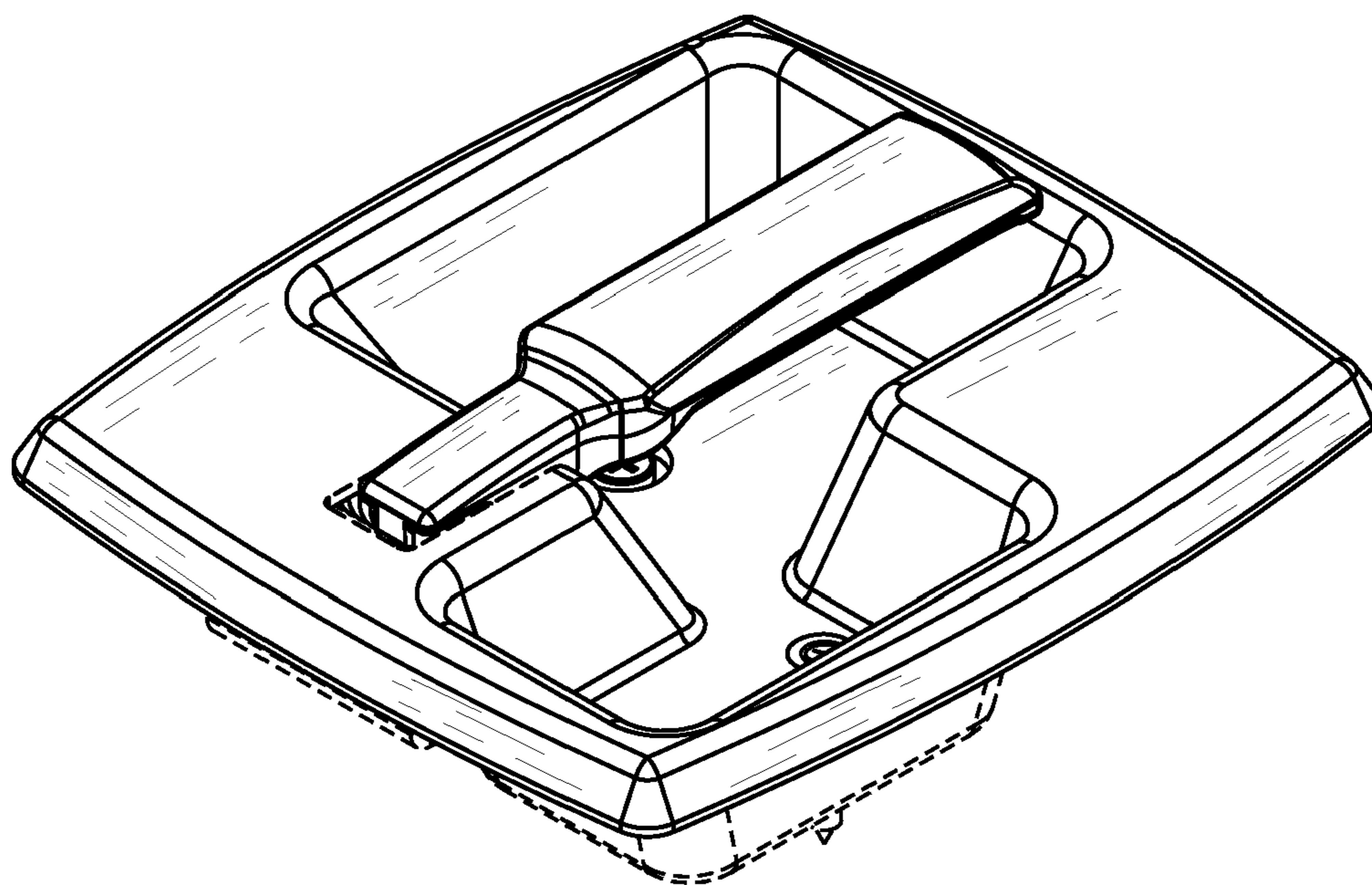


FIG. 1

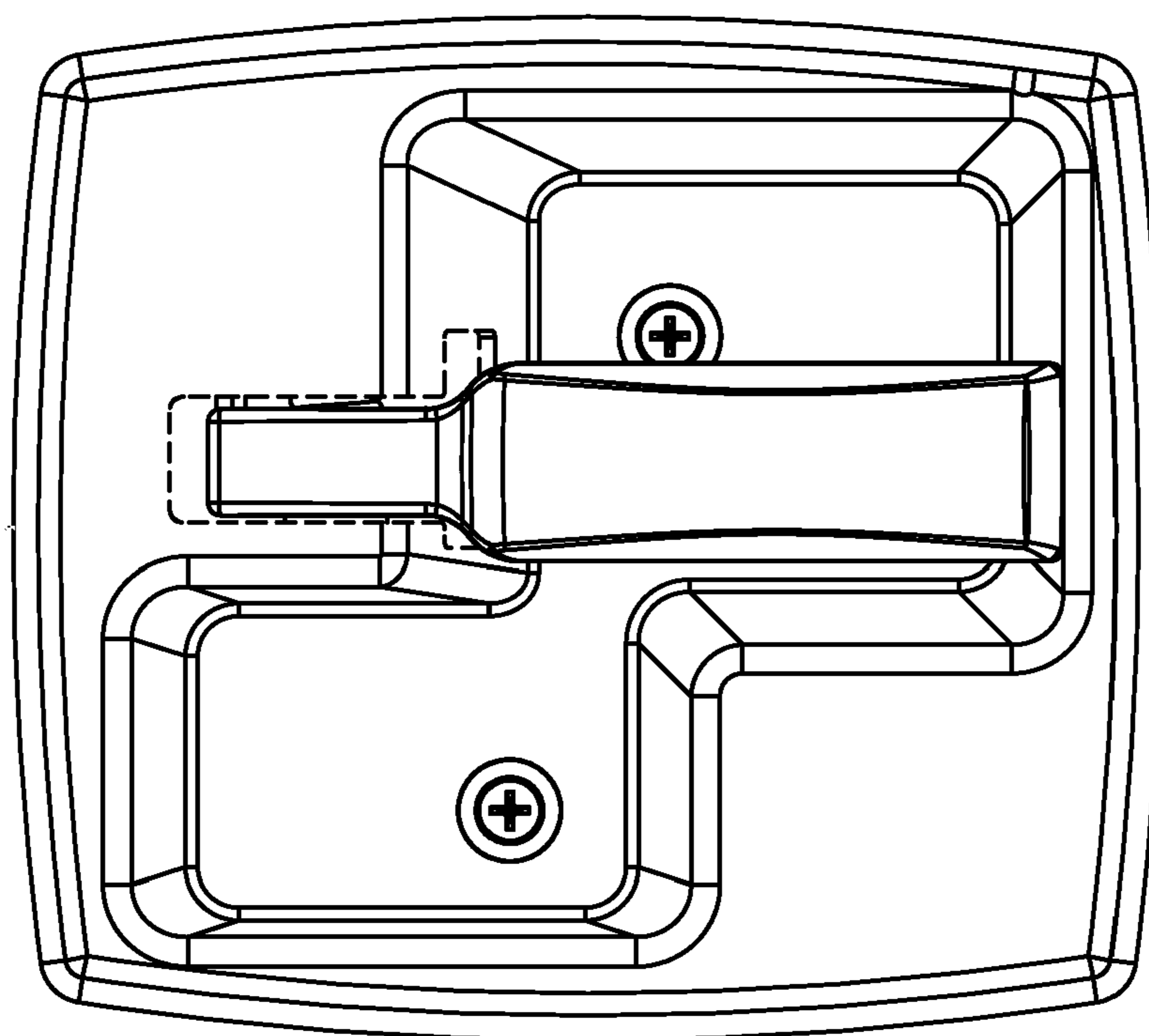
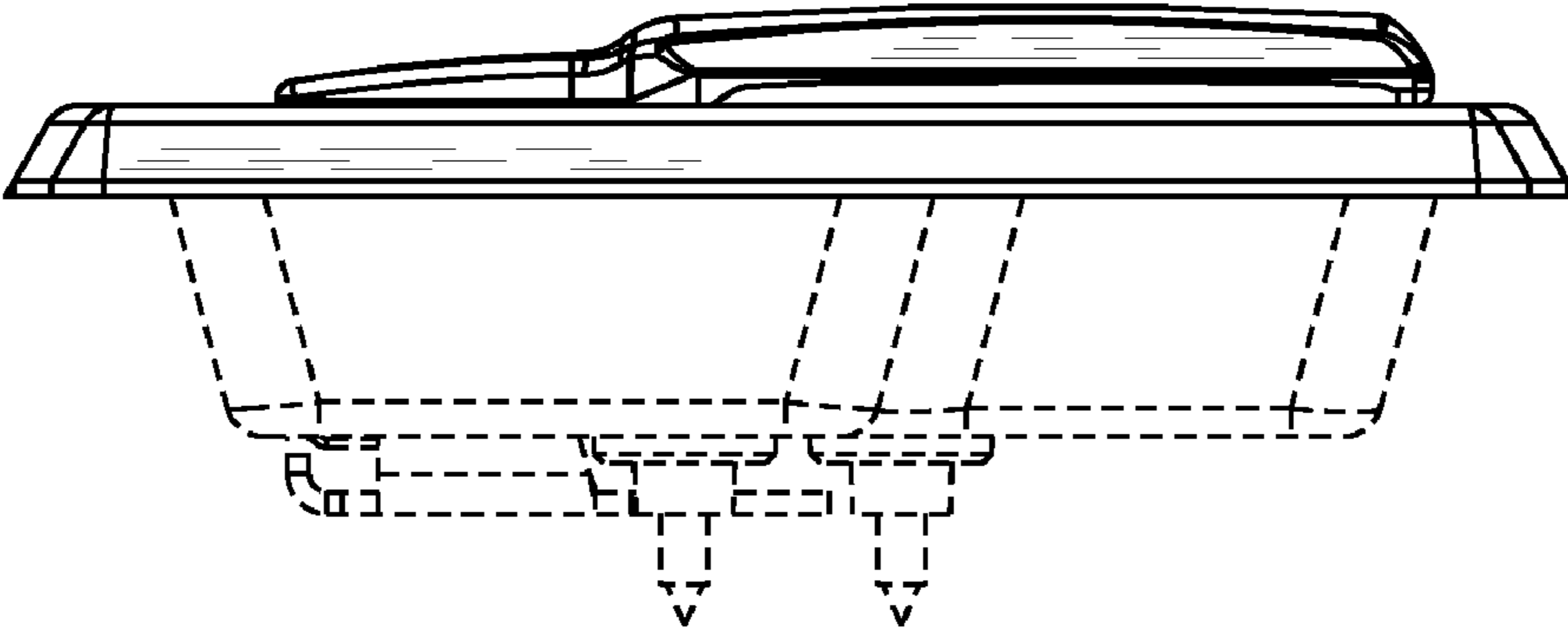
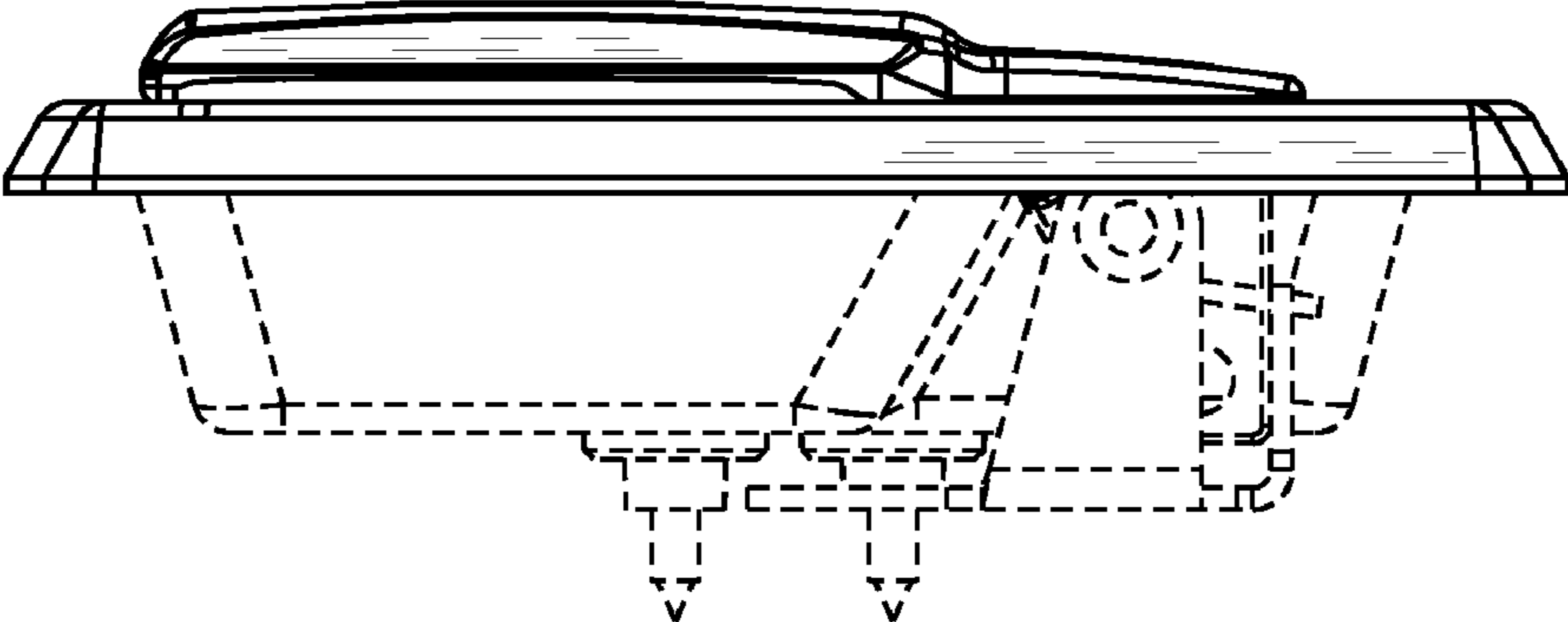


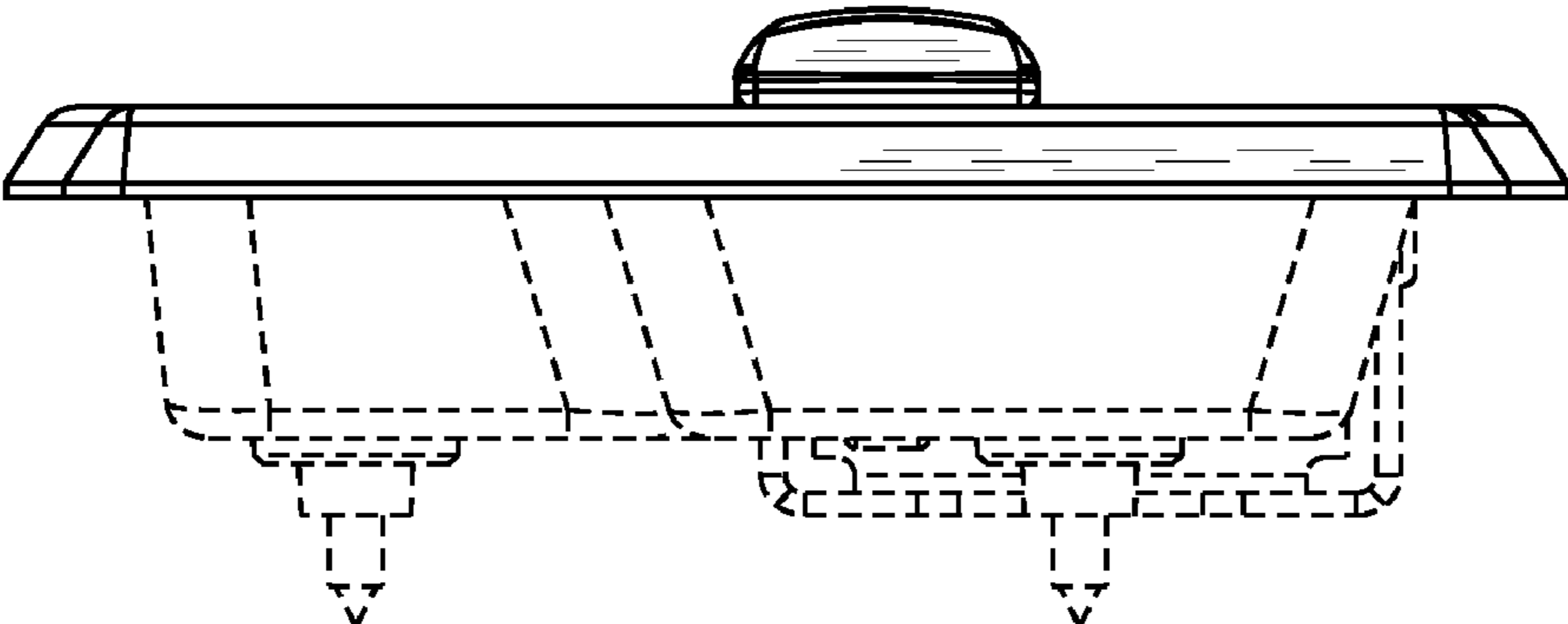
FIG. 2



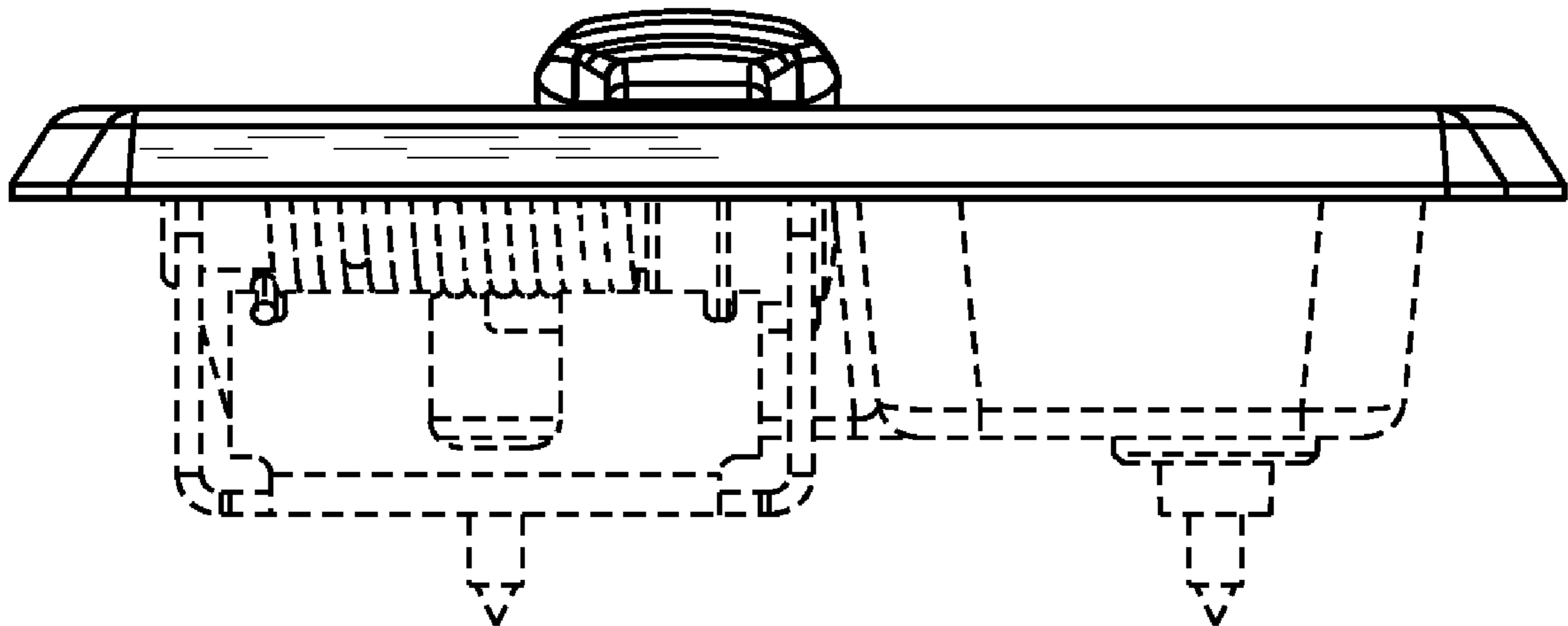
**FIG. 3**



**FIG. 4**



**FIG. 5**



**FIG. 6**