



US00D598727S

(12) **United States Design Patent**
Carlton

(10) **Patent No.:** **US D598,727 S**

(45) **Date of Patent:** **** Aug. 25, 2009**

(54) **DETAIL SANDER**

(76) Inventor: **Charles Vincent Carlton**, 1780
Lakeshore Cir., Weston, FL (US) 33326

(**) Term: **14 Years**

(21) Appl. No.: **29/300,013**

(22) Filed: **Feb. 7, 2008**

(51) **LOC (9) Cl.** **08-05**

(52) **U.S. Cl.** **D8/90**

(58) **Field of Classification Search** D8/14,
D8/90; D32/52; 451/523, 524, 525, 540;
15/236.01, 244.1

See application file for complete search history.

(56) **References Cited**

U.S. PATENT DOCUMENTS

- 5,309,598 A * 5/1994 Carpenter 15/236.08
- 5,313,746 A * 5/1994 Zarriello 451/522
- 5,491,896 A * 2/1996 Stolzer et al. 30/169
- 6,513,199 B1 * 2/2003 Cheng 16/436

- D525,507 S * 7/2006 Kirschhoffer et al. D8/90
- 7,220,172 B2 * 5/2007 Kirschhoffer et al. 451/59
- D567,053 S * 4/2008 Panfili D8/90
- 7,384,328 B2 * 6/2008 Panfili 451/344

* cited by examiner

Primary Examiner—Philip S Hyder

(57) **CLAIM**

The ornamental design for a detail sander, as shown and described.

DESCRIPTION

FIG. 1 is a top plan view of a detail sander showing my new design;

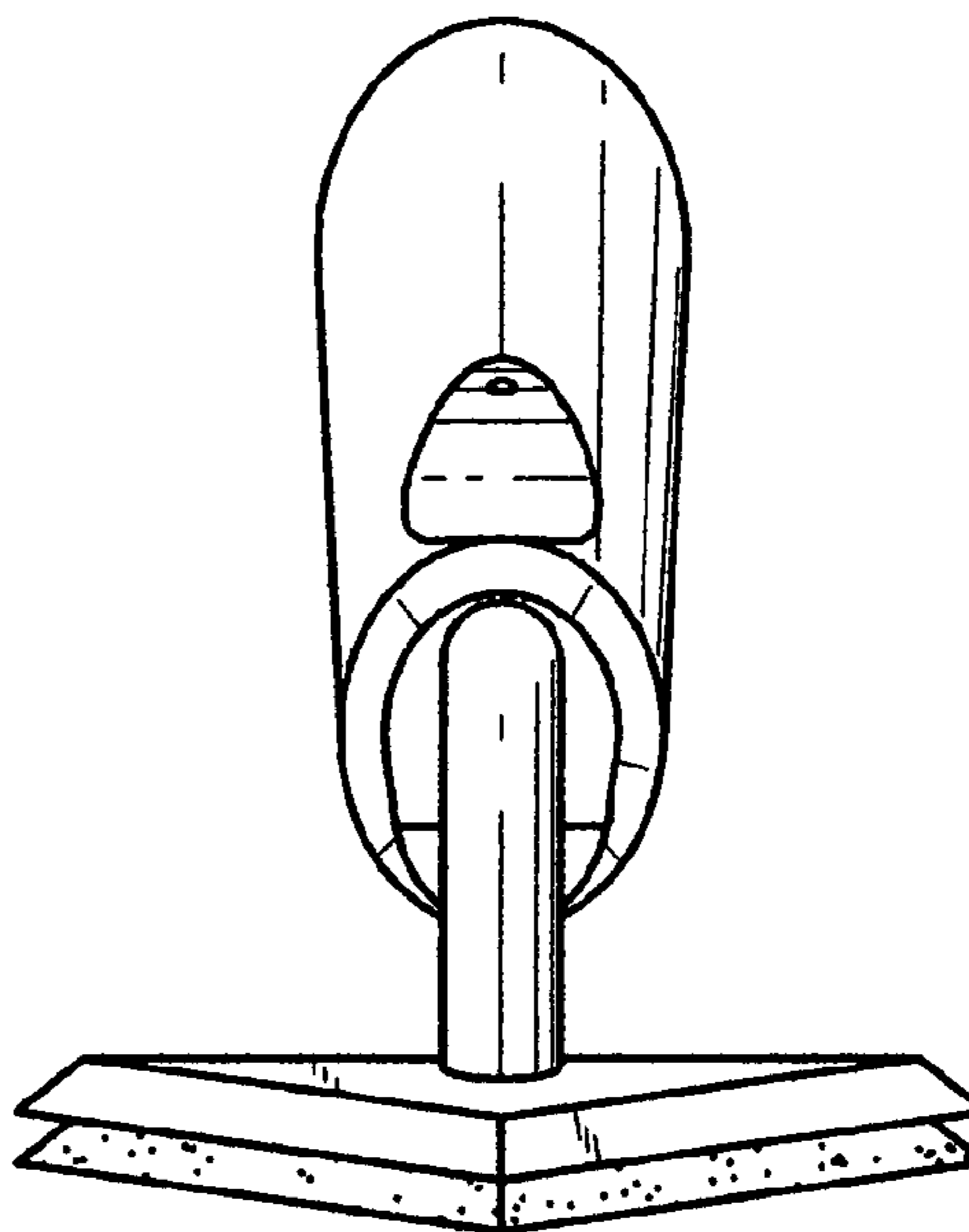
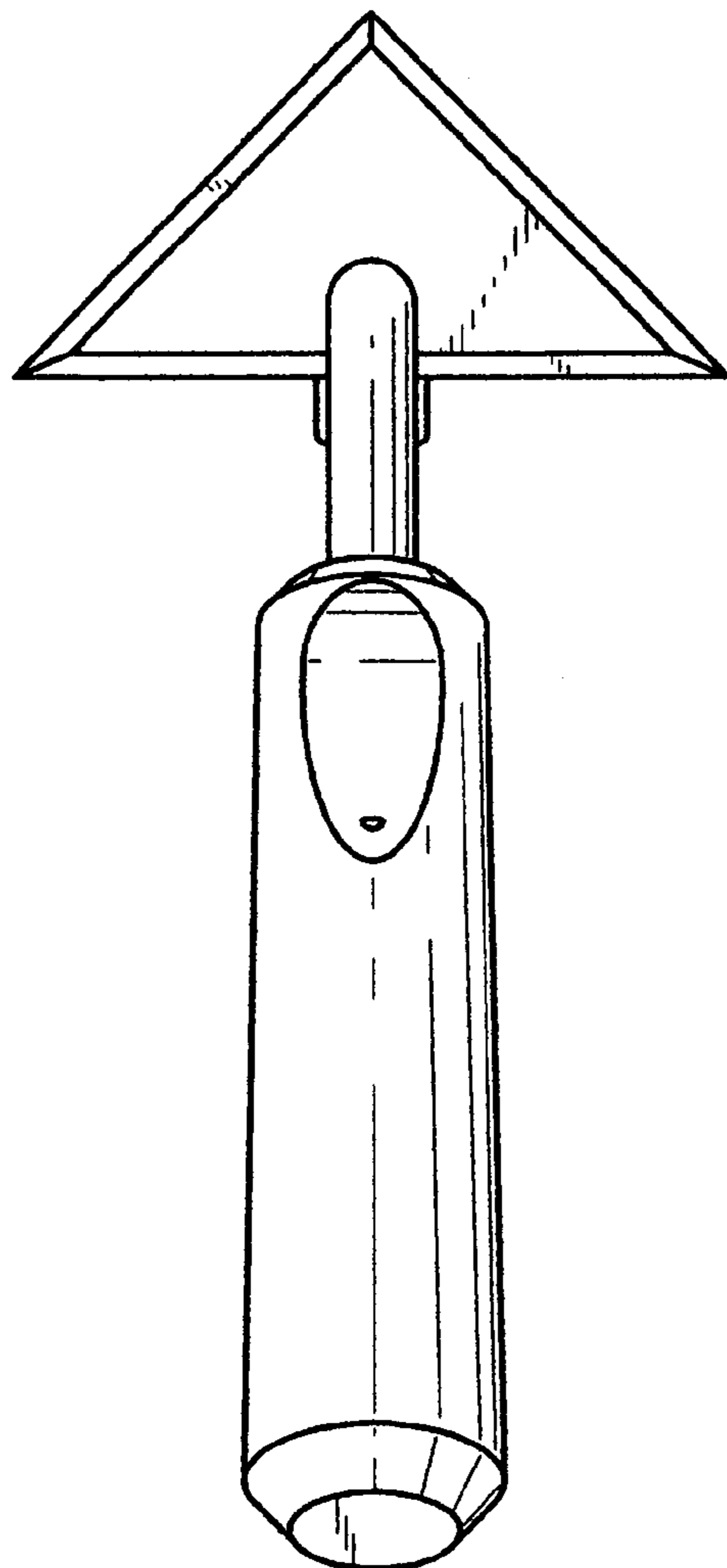
FIG. 2 is a bottom plan view thereof;

FIG. 3 is a rear elevation thereof;

FIG. 4 is a front perspective thereof; and,

FIG. 5 is a right side elevation thereof; left side elevation is a mirror image of FIG. 5.

1 Claim, 3 Drawing Sheets



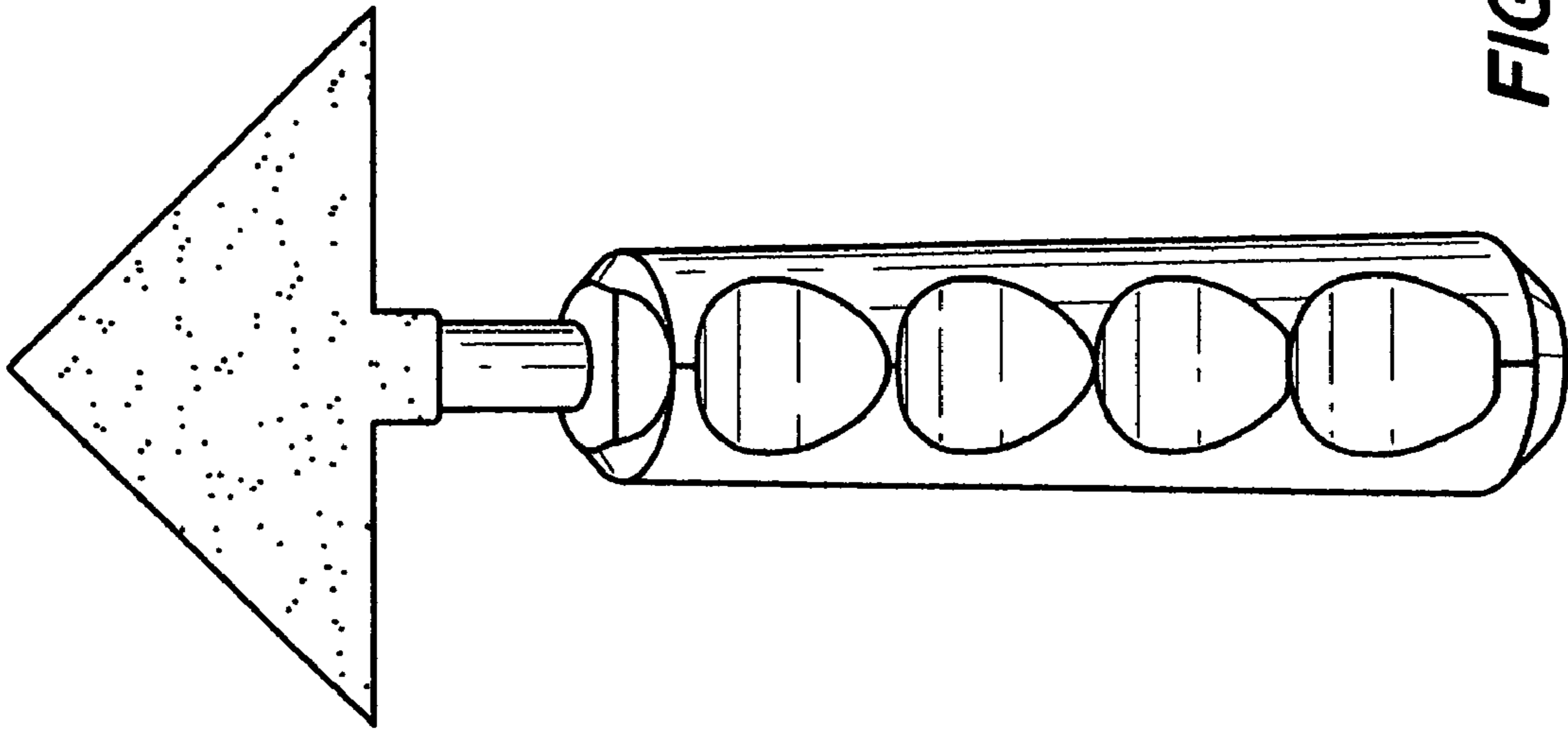


FIG. 2

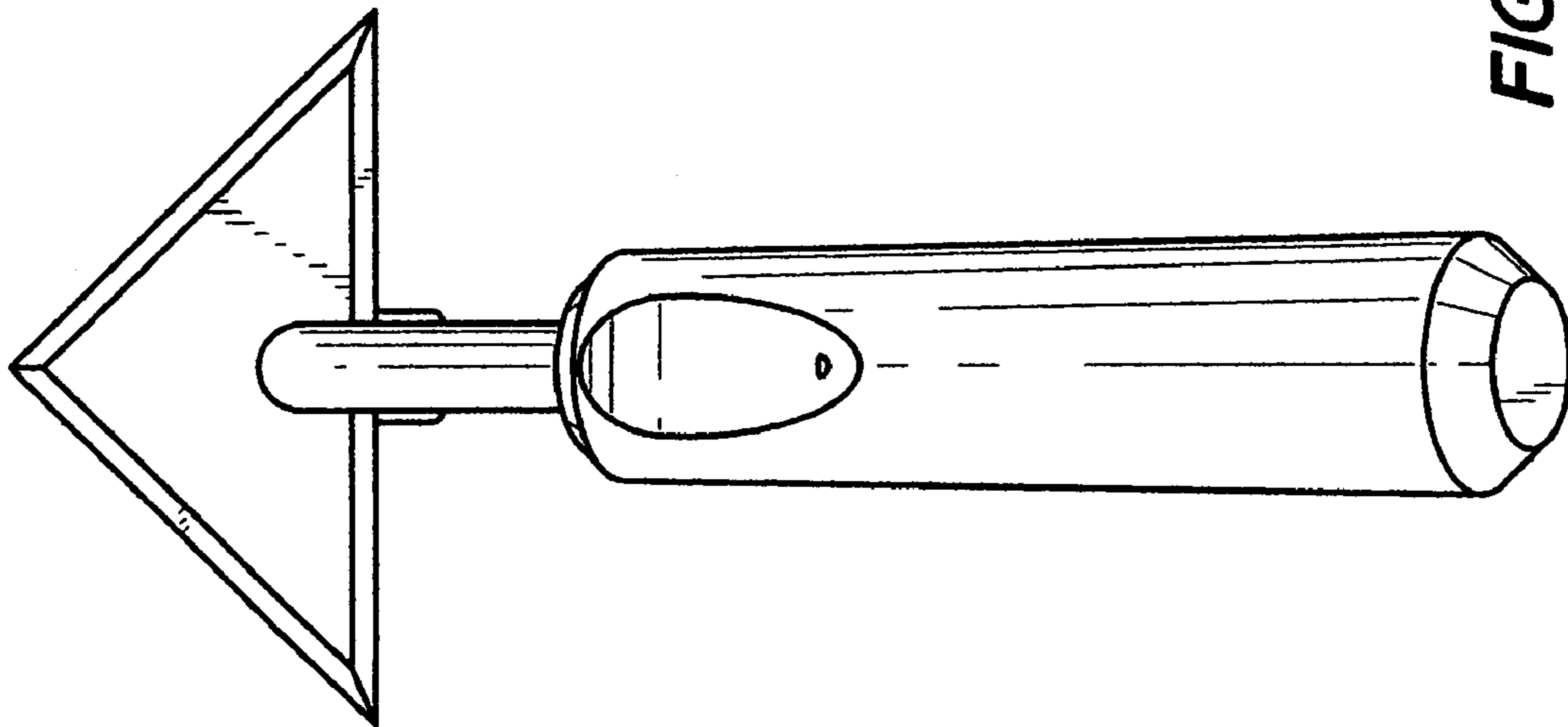


FIG. 1

FIG. 4

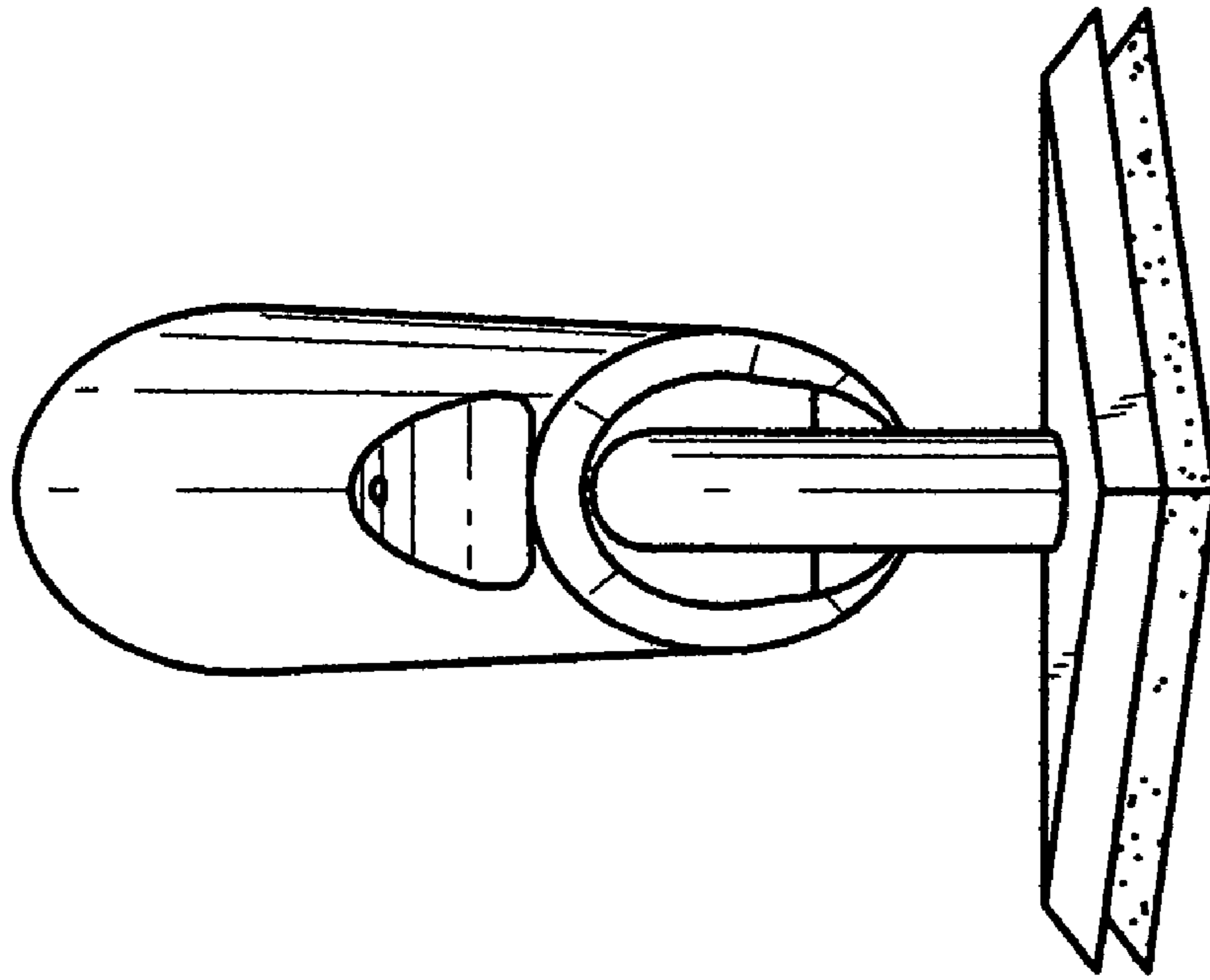
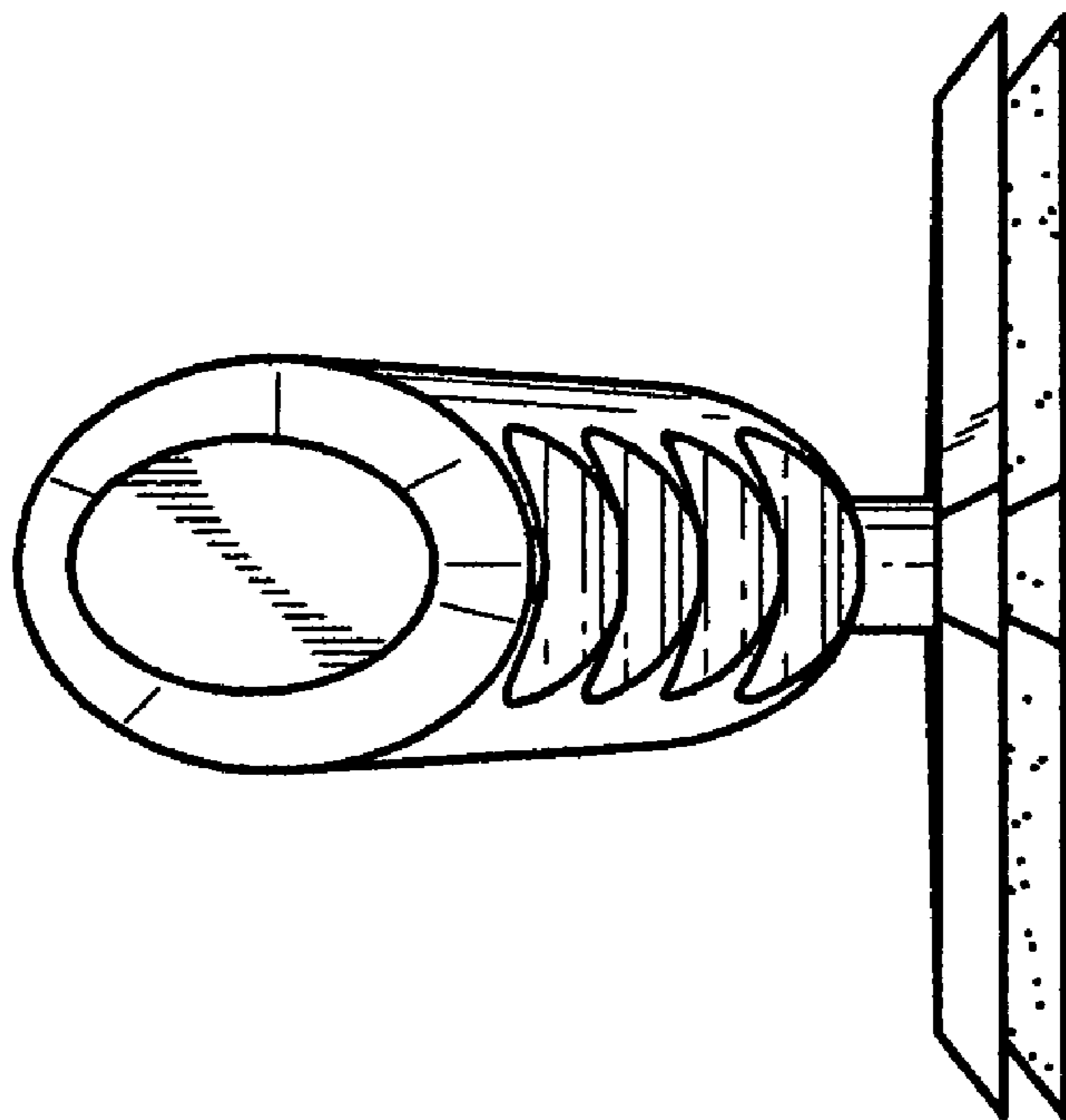


FIG. 3



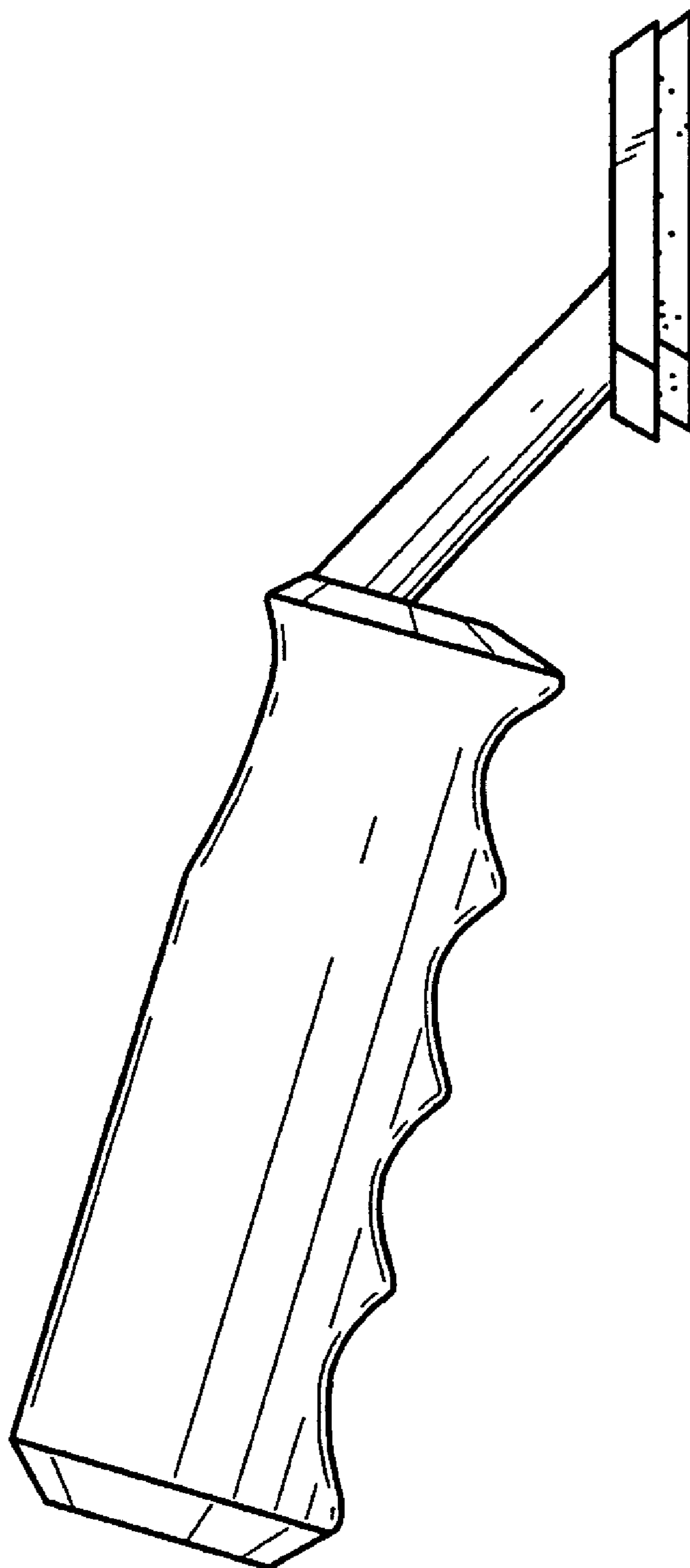


FIG. 5