



US00D598722S

(12) **United States Design Patent**
Coll

(10) **Patent No.:** **US D598,722 S**

(45) **Date of Patent:** **** Aug. 25, 2009**

(54) **ANGLED CAULK NOZZLE**

(76) **Inventor:** **John V. Coll**, 533 W. Springfield Rd.,
Springfield, PA (US) 19064

(**) **Term:** **14 Years**

(21) **Appl. No.:** **29/326,731**

(22) **Filed:** **Oct. 23, 2008**

Related U.S. Application Data

(63) Continuation-in-part of application No. 10/843,989,
filed on May 12, 2004.

(51) **LOC (9) Cl.** **08-05**

(52) **U.S. Cl.** **D8/14.1**

(58) **Field of Classification Search** D8/14.1;
222/324-327, 566-569

See application file for complete search history.

(56) **References Cited**

U.S. PATENT DOCUMENTS

3,422,998	A *	1/1969	Murray	222/567
4,595,130	A *	6/1986	Berney	222/539
D377,891	S *	2/1997	Bencich	D8/14.1
6,076,712	A *	6/2000	Esber et al.	222/527
D443,488	S *	6/2001	Palladino	D8/14.1

D468,601	S *	1/2003	Horst	D8/14.1
D476,538	S *	7/2003	Dorff et al.	D8/14.1
6,689,279	B1 *	2/2004	Train	210/800
2005/0082317	A1 *	4/2005	Coll	222/326

* cited by examiner

Primary Examiner—Holly H Baynham

Assistant Examiner—Sheryl Lane

(74) *Attorney, Agent, or Firm*—Volpe and Koenig, P.C.

(57) **CLAIM**

The ornamental design for an angled caulk nozzle, as shown
and described.

DESCRIPTION

FIG. 1 is a perspective view of an angled caulk nozzle show-
ing my new design;

FIG. 2 is a right side elevational view thereof, the left side
being a mirror image;

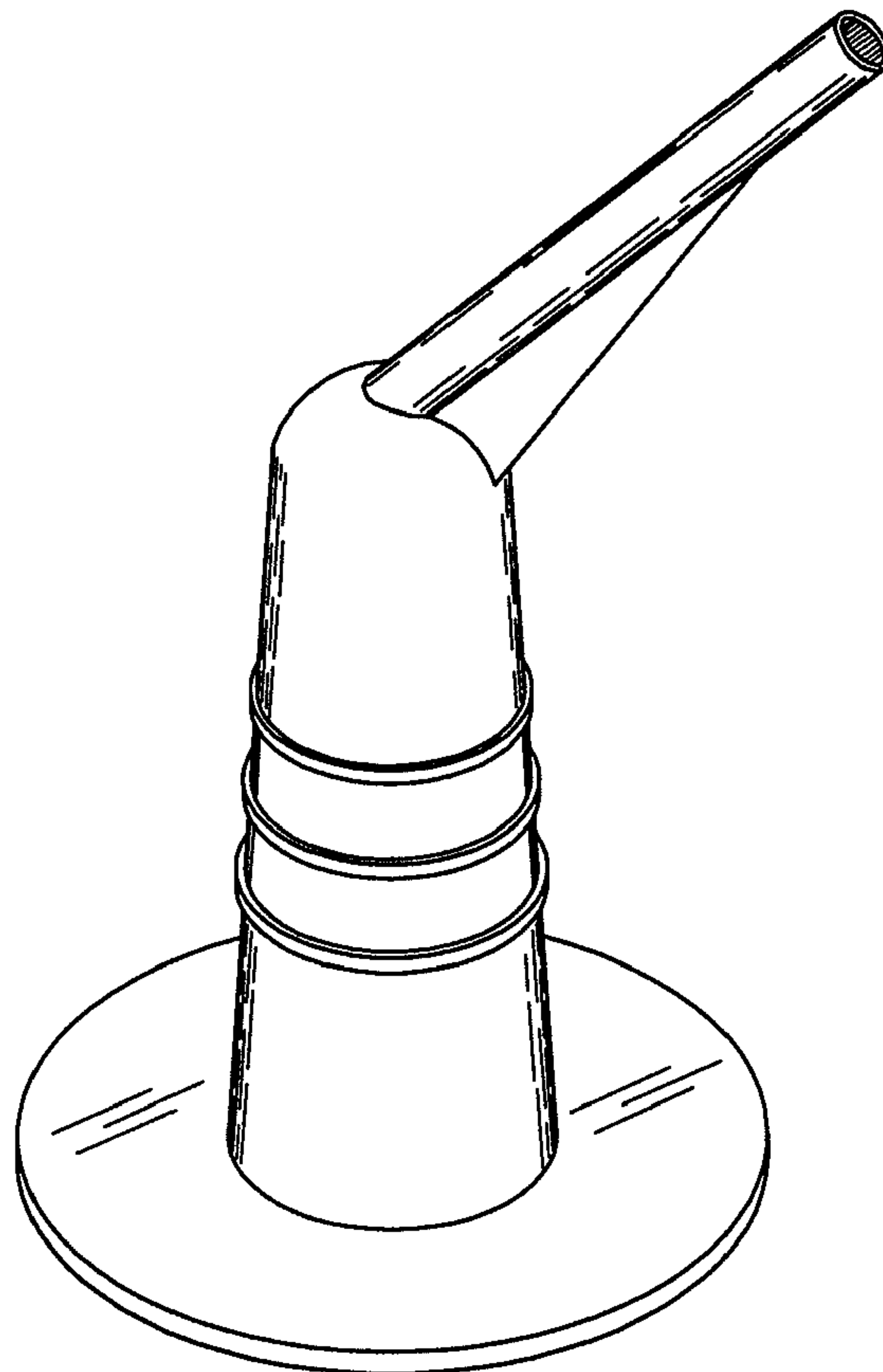
FIG. 3 is a top plan view thereof;

FIG. 4 is a bottom plan view thereof;

FIG. 5 is a front elevational view thereof; and,

FIG. 6 is a rear elevational view thereof.

1 Claim, 3 Drawing Sheets



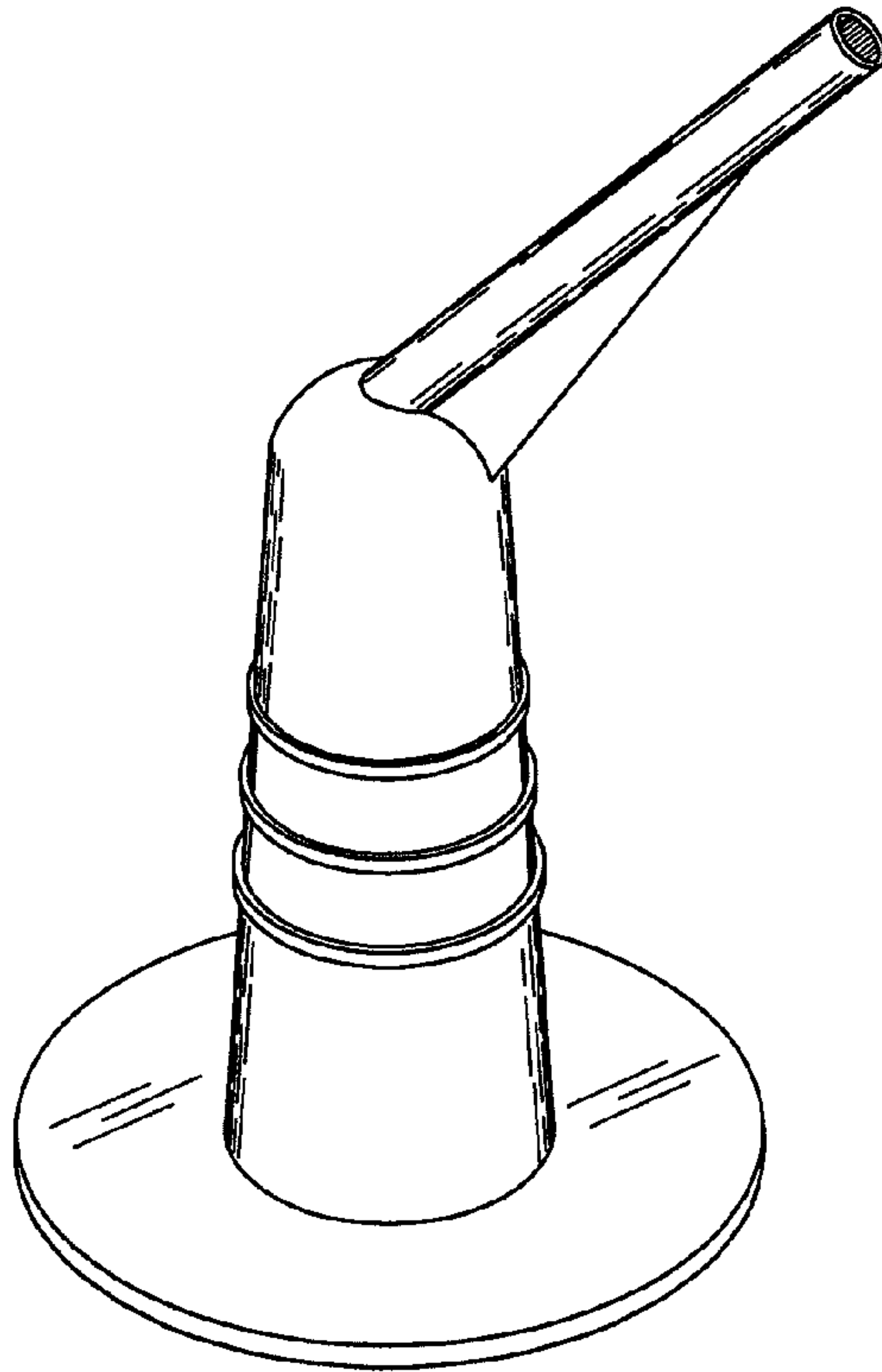


FIG. 1

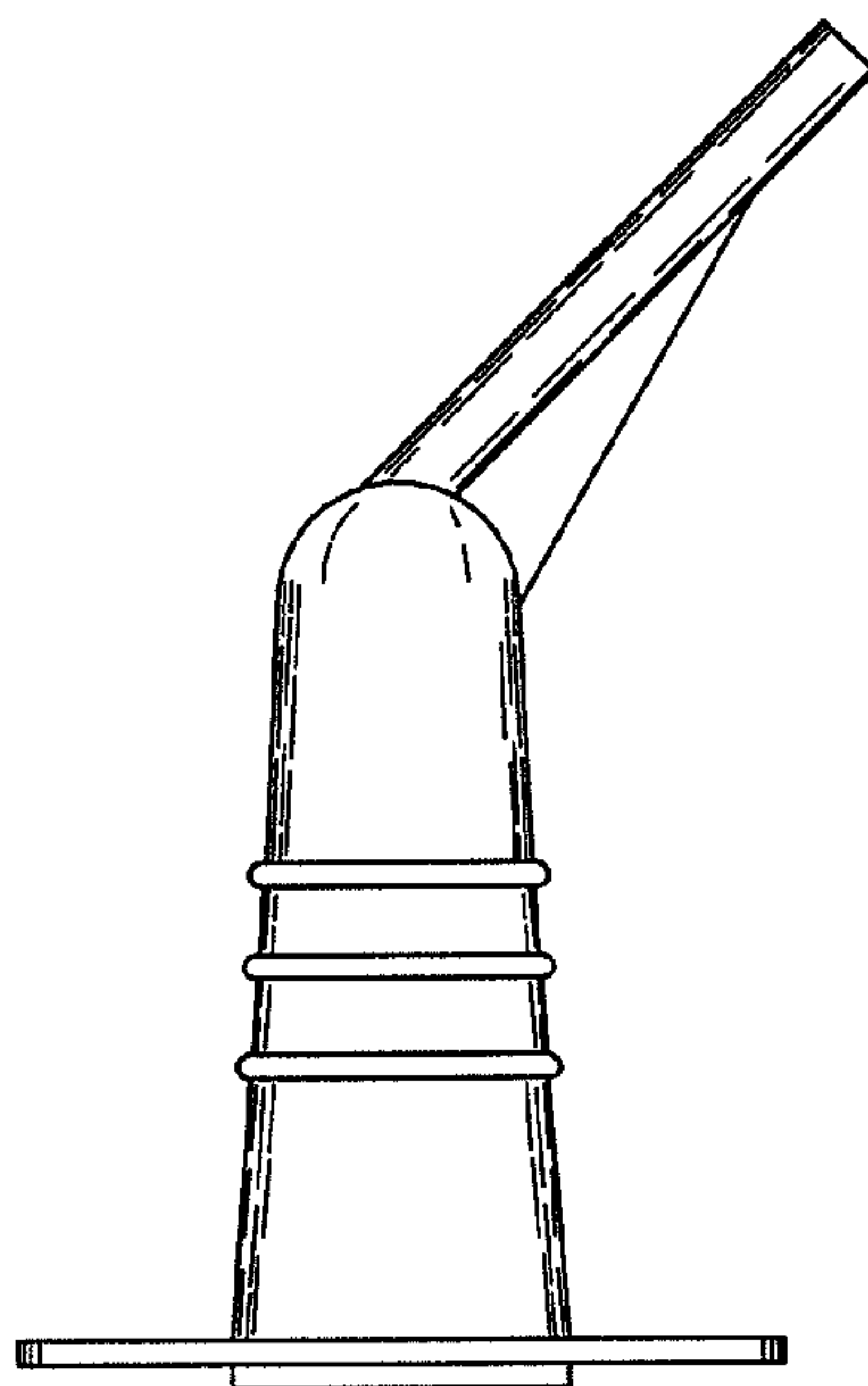


FIG. 2

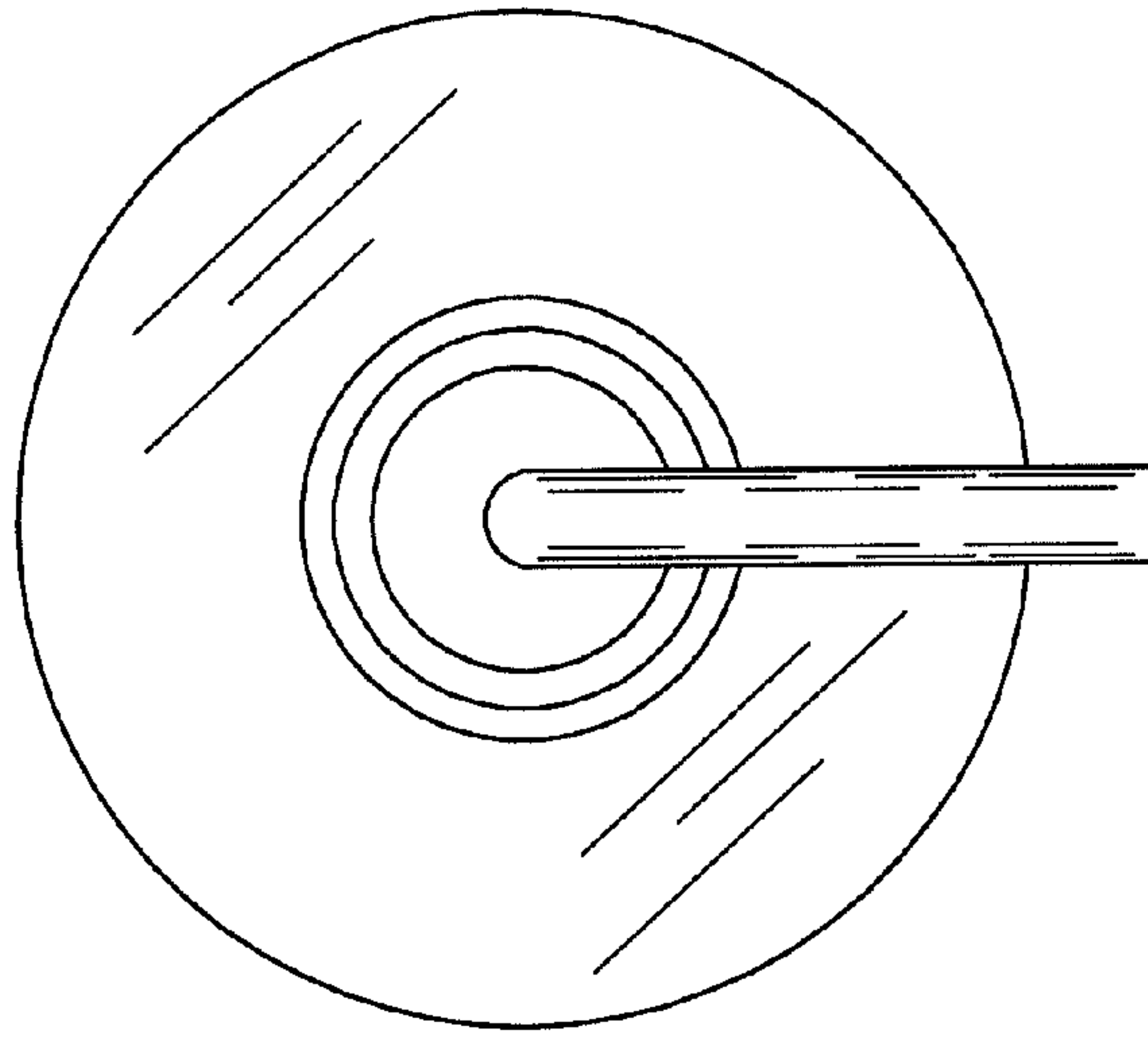


FIG. 3

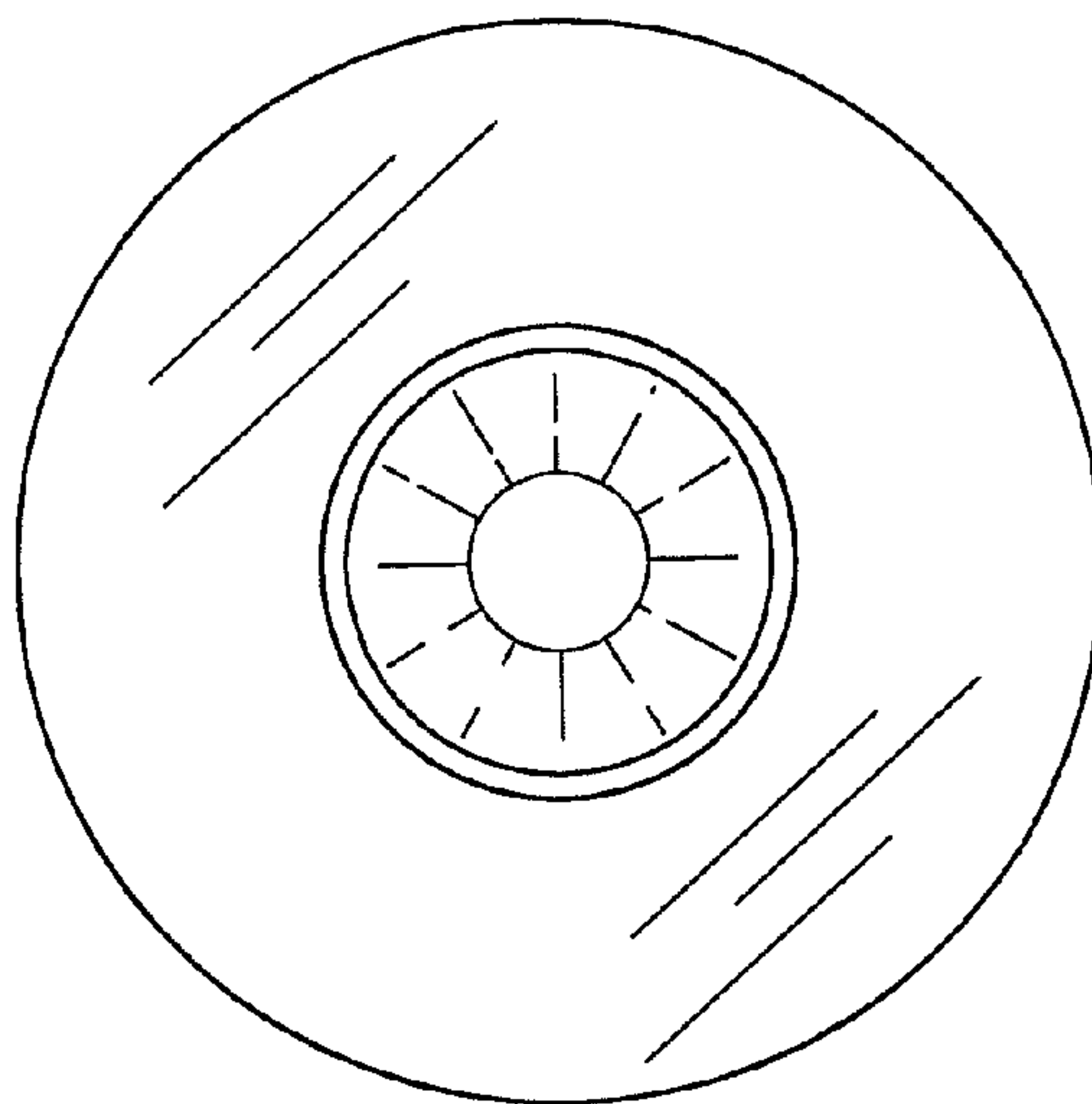


FIG. 4

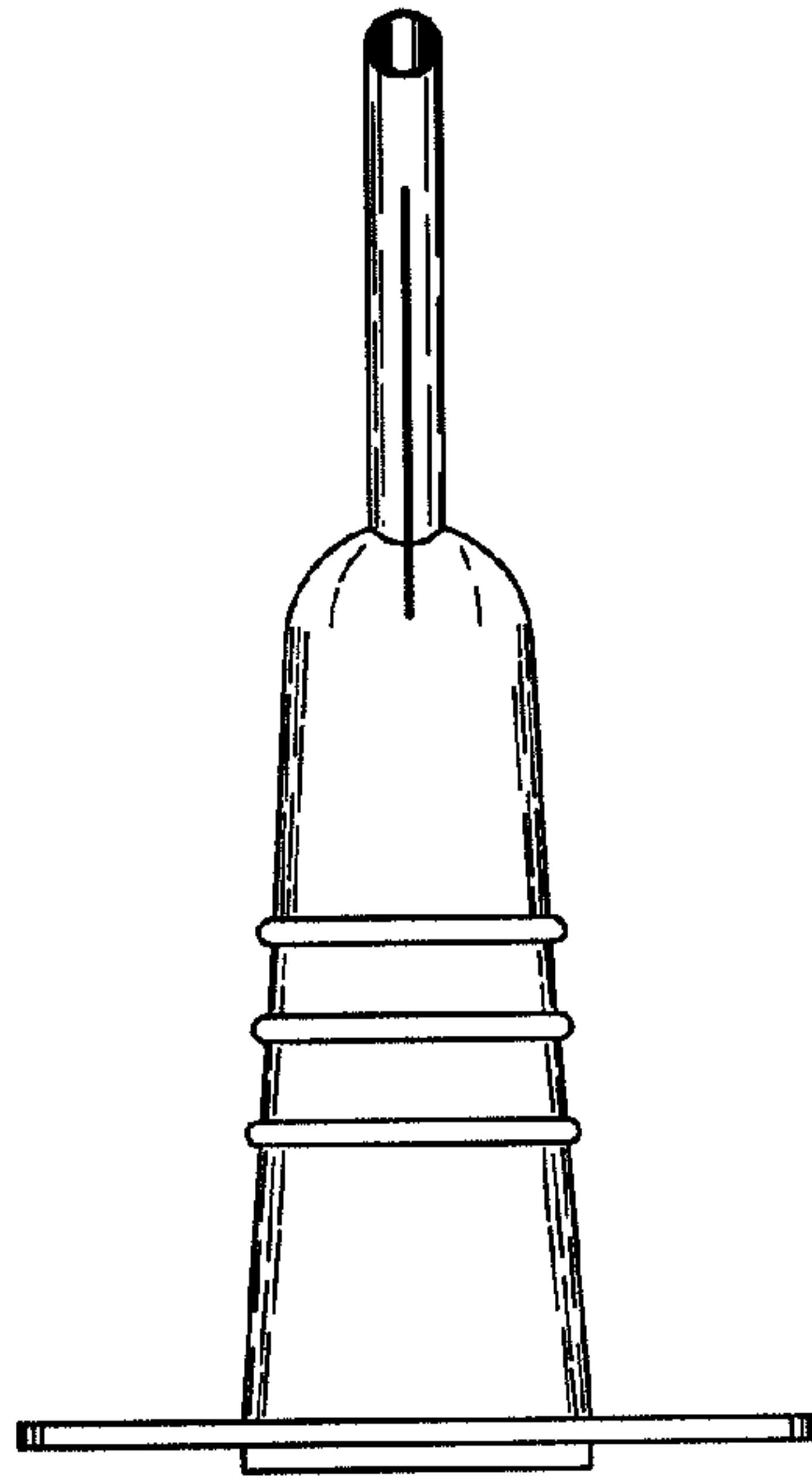


FIG. 5

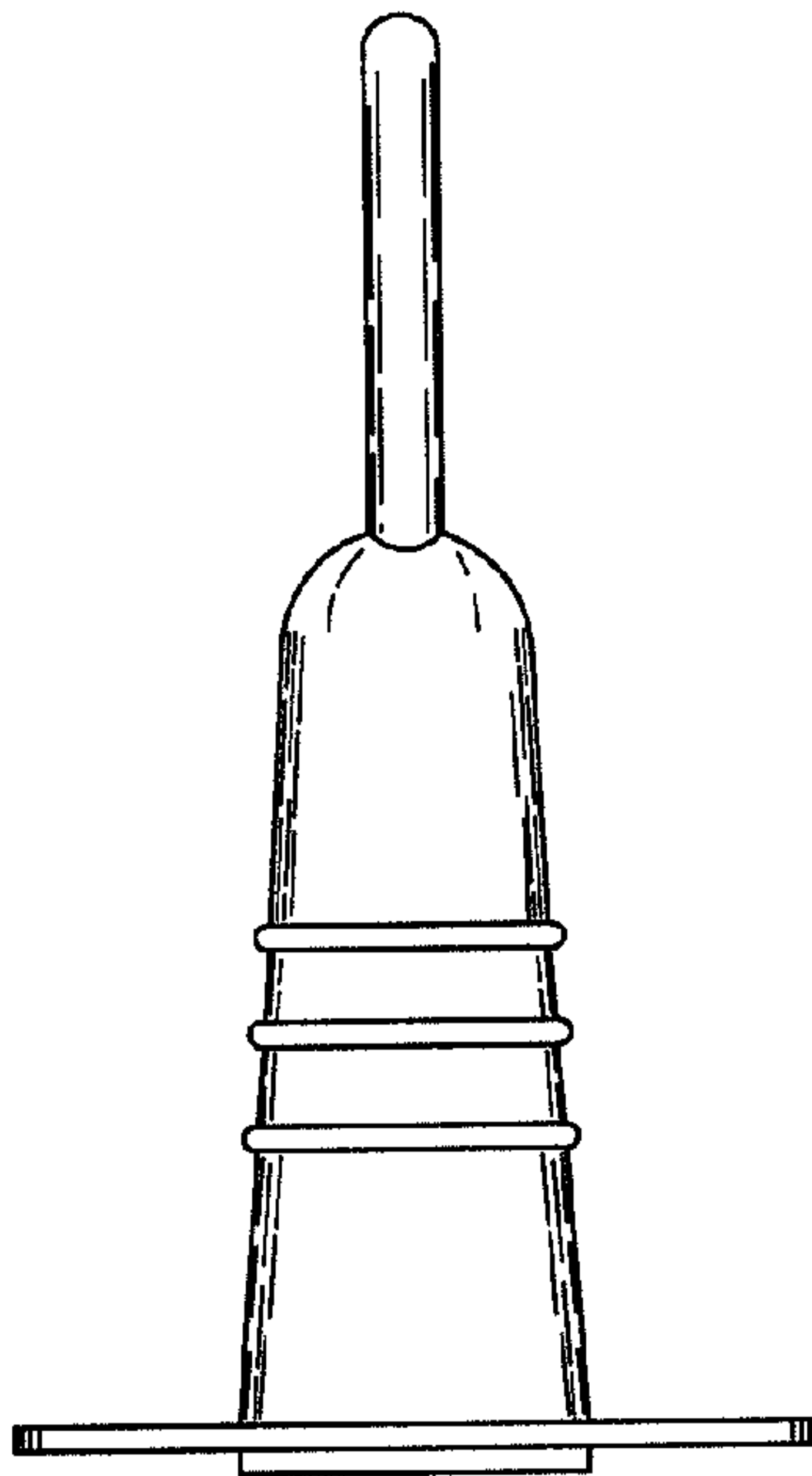


FIG. 6