



US00D598718S

(12) **United States Design Patent**
Bellah

(10) **Patent No.:** **US D598,718 S**

(45) **Date of Patent:** **** Aug. 25, 2009**

(54) **FISH CHUNCKER**

D530,991 S * 10/2006 West et al. D7/674

(76) Inventor: **Chris Bellah**, 420 E. Sycamore Ave.,
Glendora, CA (US) 91741

* cited by examiner

Primary Examiner—Terry A Wallace

(74) *Attorney, Agent, or Firm*—Walter A. Hackler

(**) Term: **14 Years**

(21) Appl. No.: **29/327,542**

(57) **CLAIM**

(22) Filed: **Nov. 7, 2008**

The ornamental design for a fish chuncker, as shown and described.

(51) **LOC (9) Cl.** **07-04**

(52) **U.S. Cl.** **D7/674; D7/666**

(58) **Field of Classification Search** D7/665–666,
D7/672–677; 99/495, 506–511; 241/167,
241/168, 169.1, 169.2, 95, 273.1–273.4;
100/112, 116, 125, 234, 233, 243; 30/122,
30/165, 501, 502, 299, 304, 303, 279.6, 114–117
See application file for complete search history.

DESCRIPTION

FIG. 1 is a perspective view of a fish chuncker showing my new design;

FIG. 2 is a top plan view of the present invention;

FIG. 3 is a side view of the present invention, both sides of the fish chuncker being identical;

FIG. 4 is a front elevated view of the present invention;

FIG. 5 is a rear elevated view of the present invention; and,

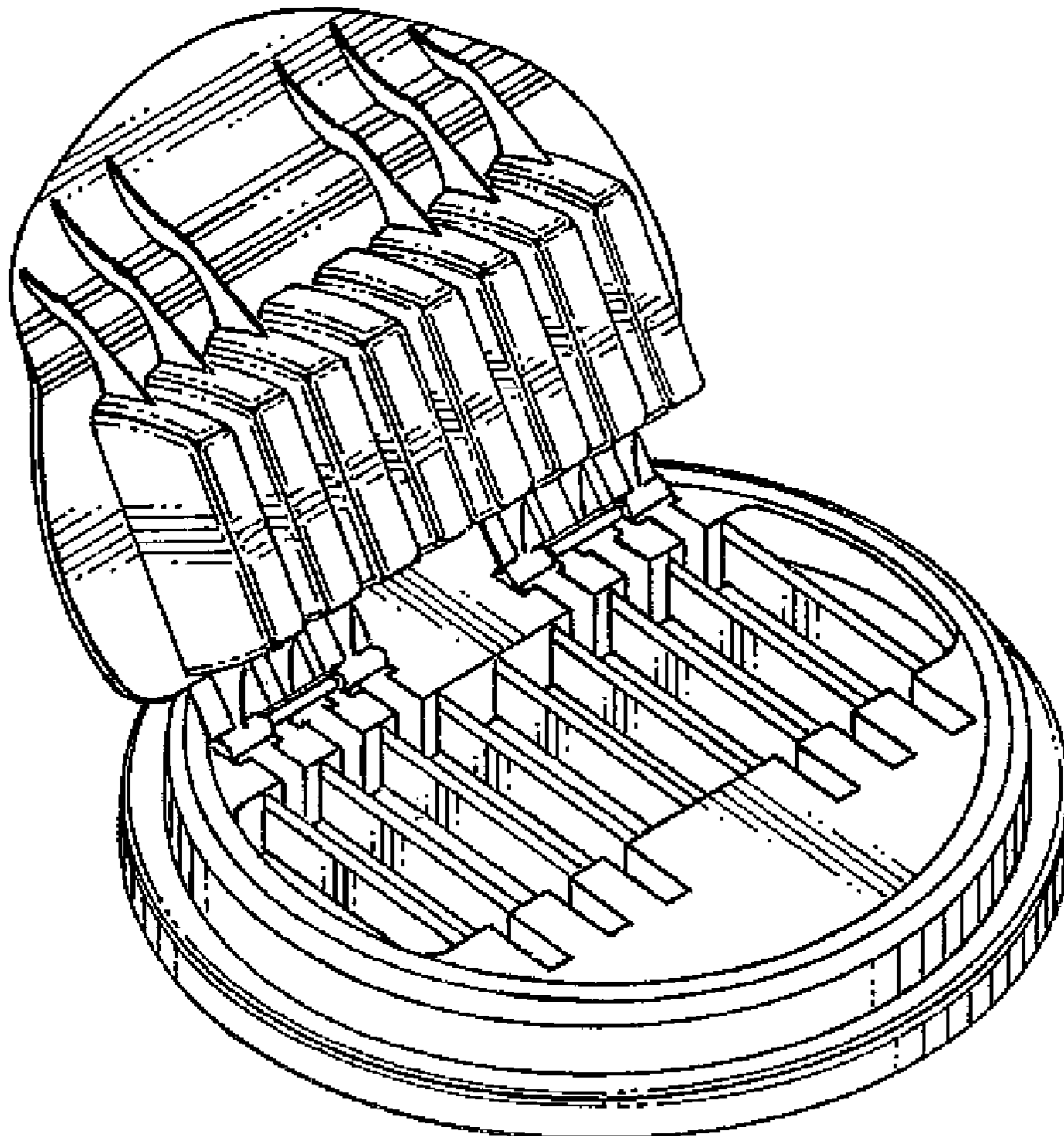
FIG. 6 is a bottom plan view of the present invention.

(56) **References Cited**

U.S. PATENT DOCUMENTS

- 3,175,746 A * 3/1965 Porter et al. 30/124
- 3,948,164 A * 4/1976 Pobuda et al. 100/233

1 Claim, 2 Drawing Sheets



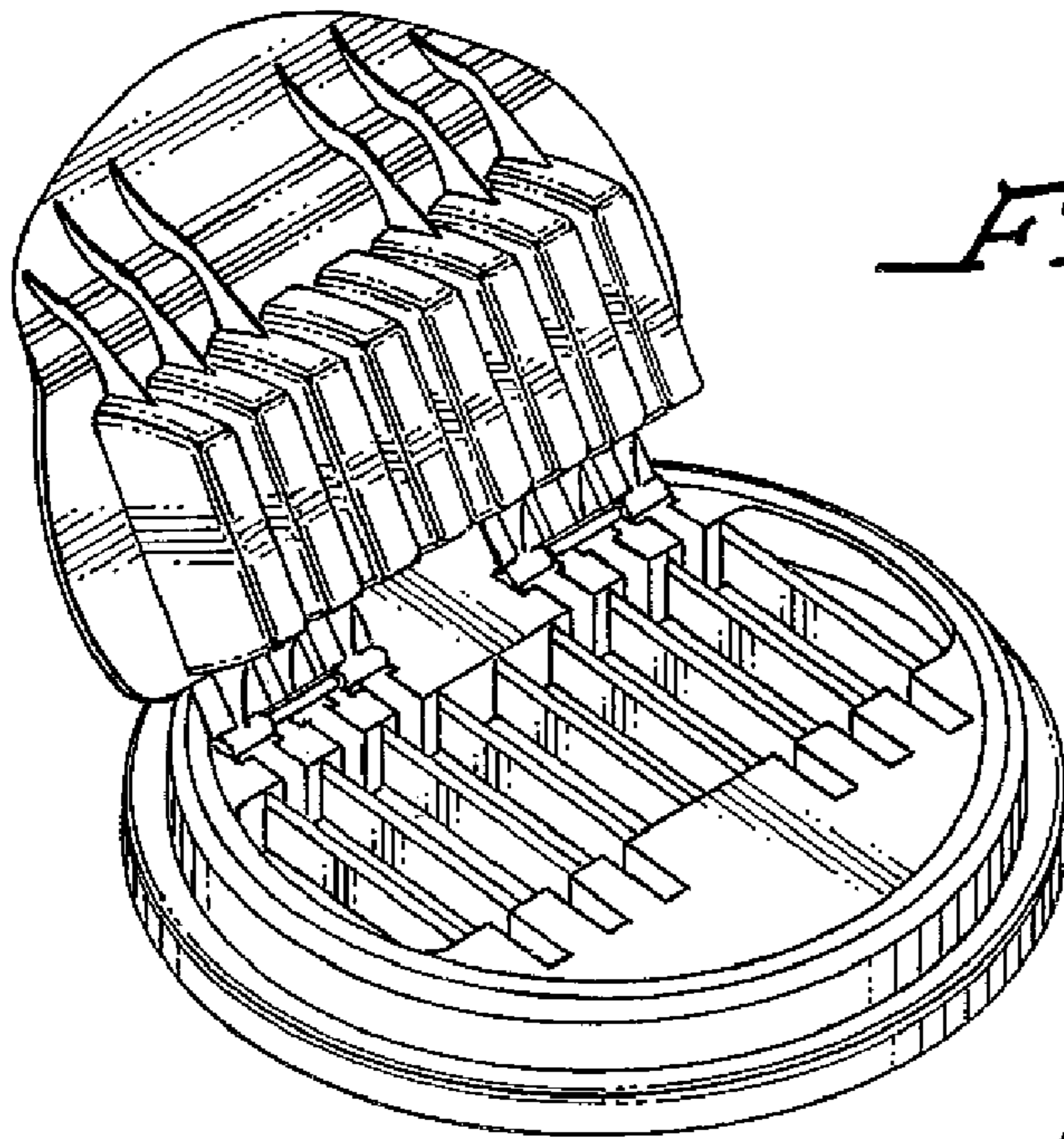


FIG. 1.

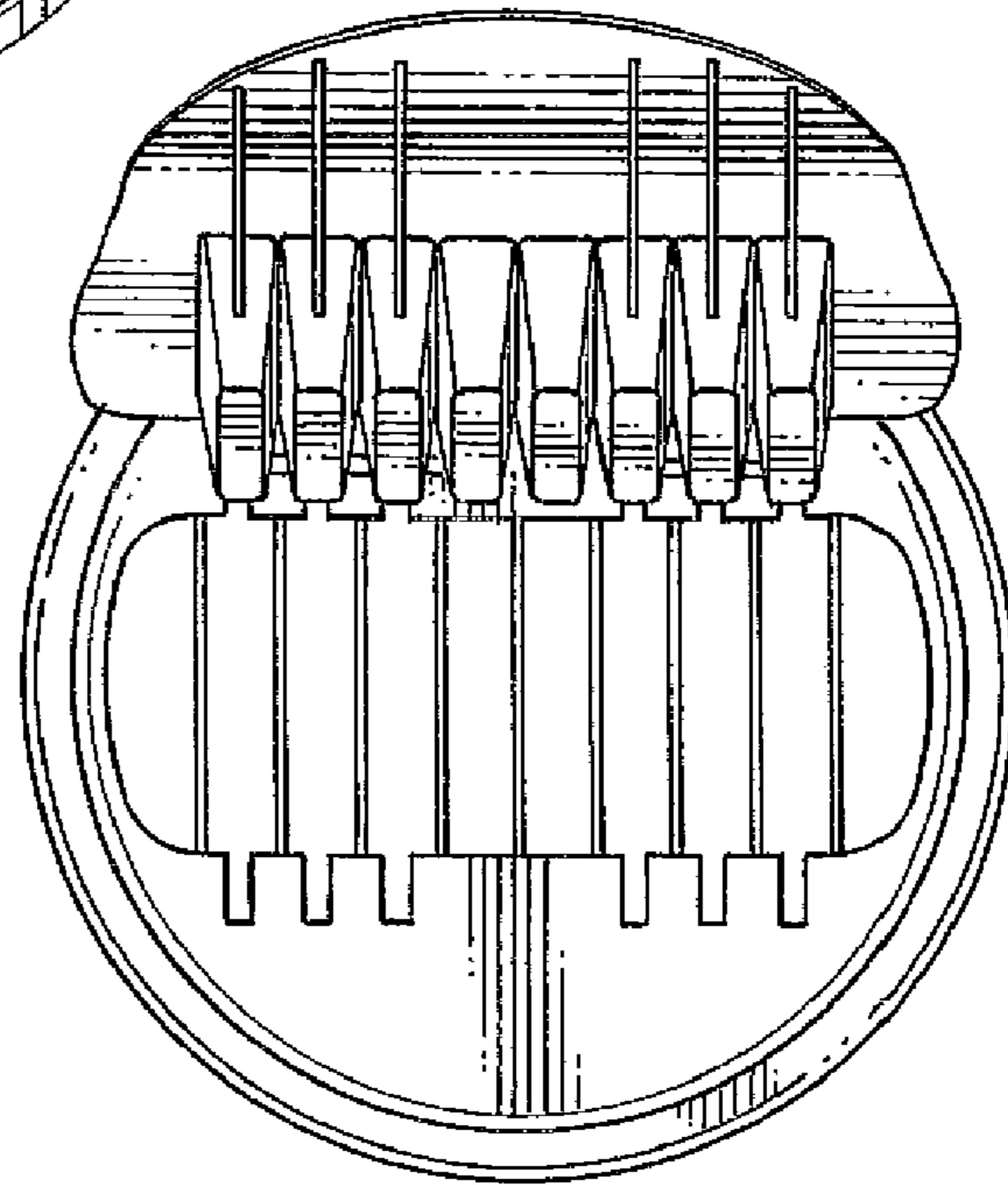


FIG. 2.

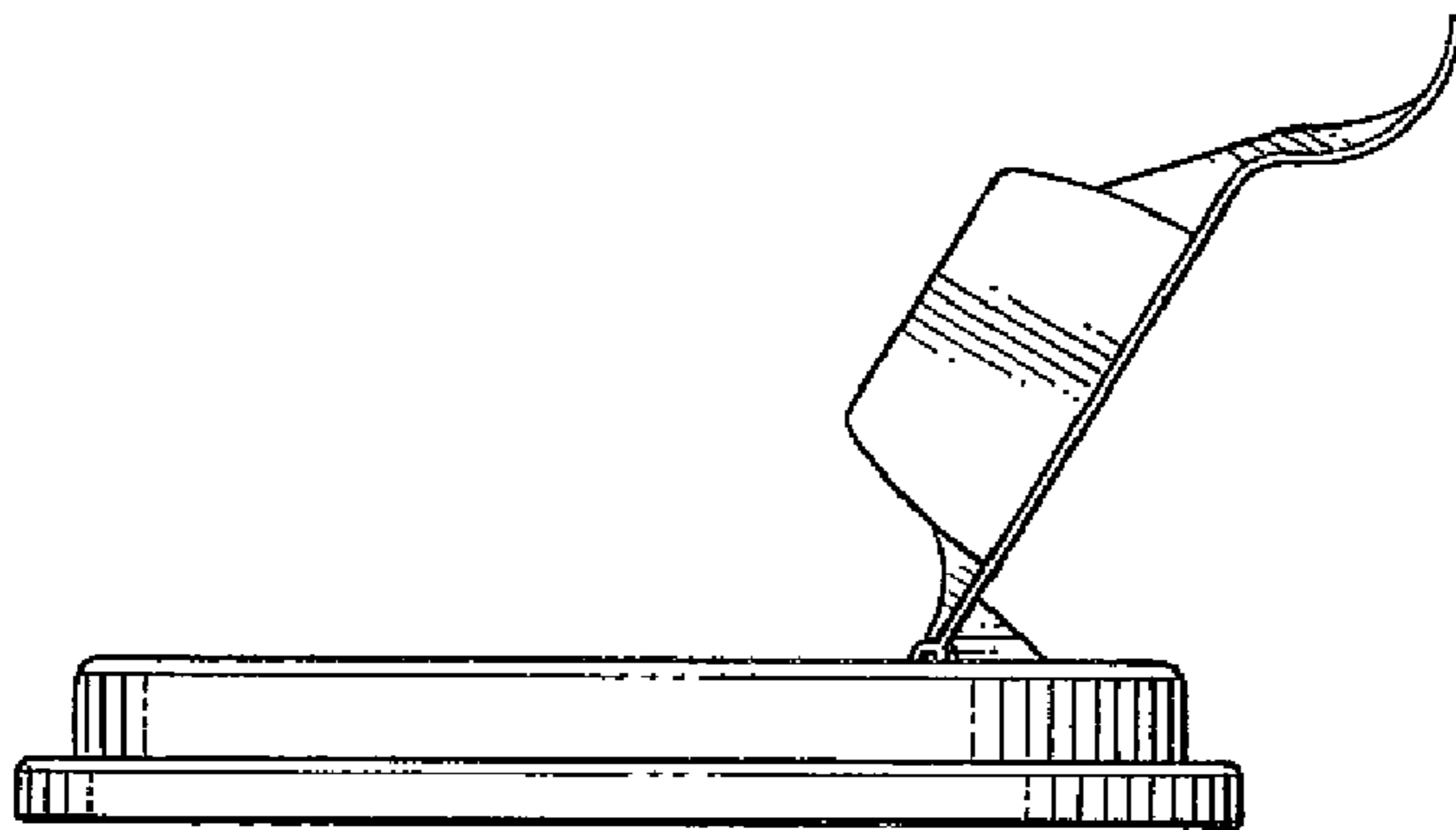


FIG. 3.

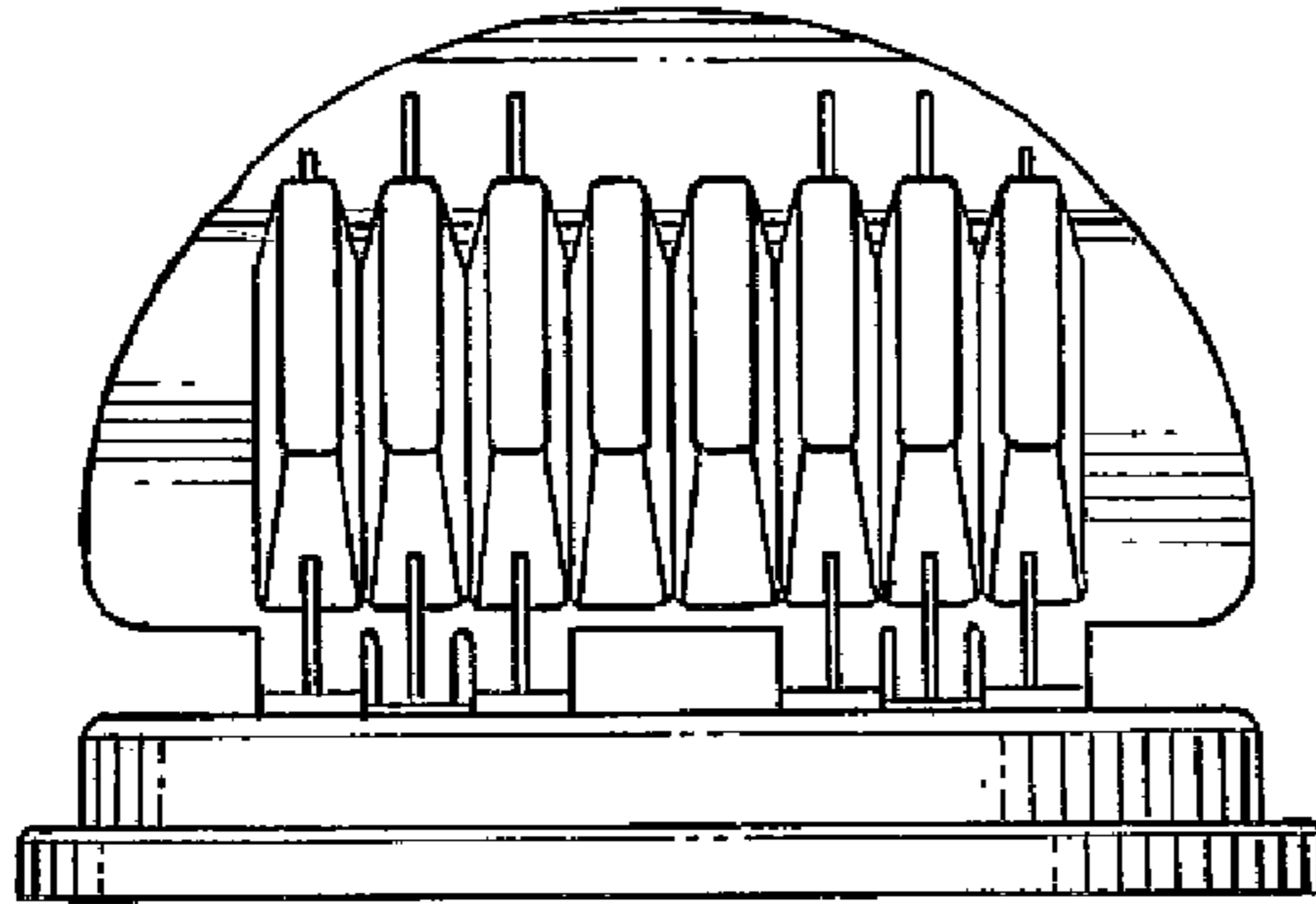


FIG. 4.

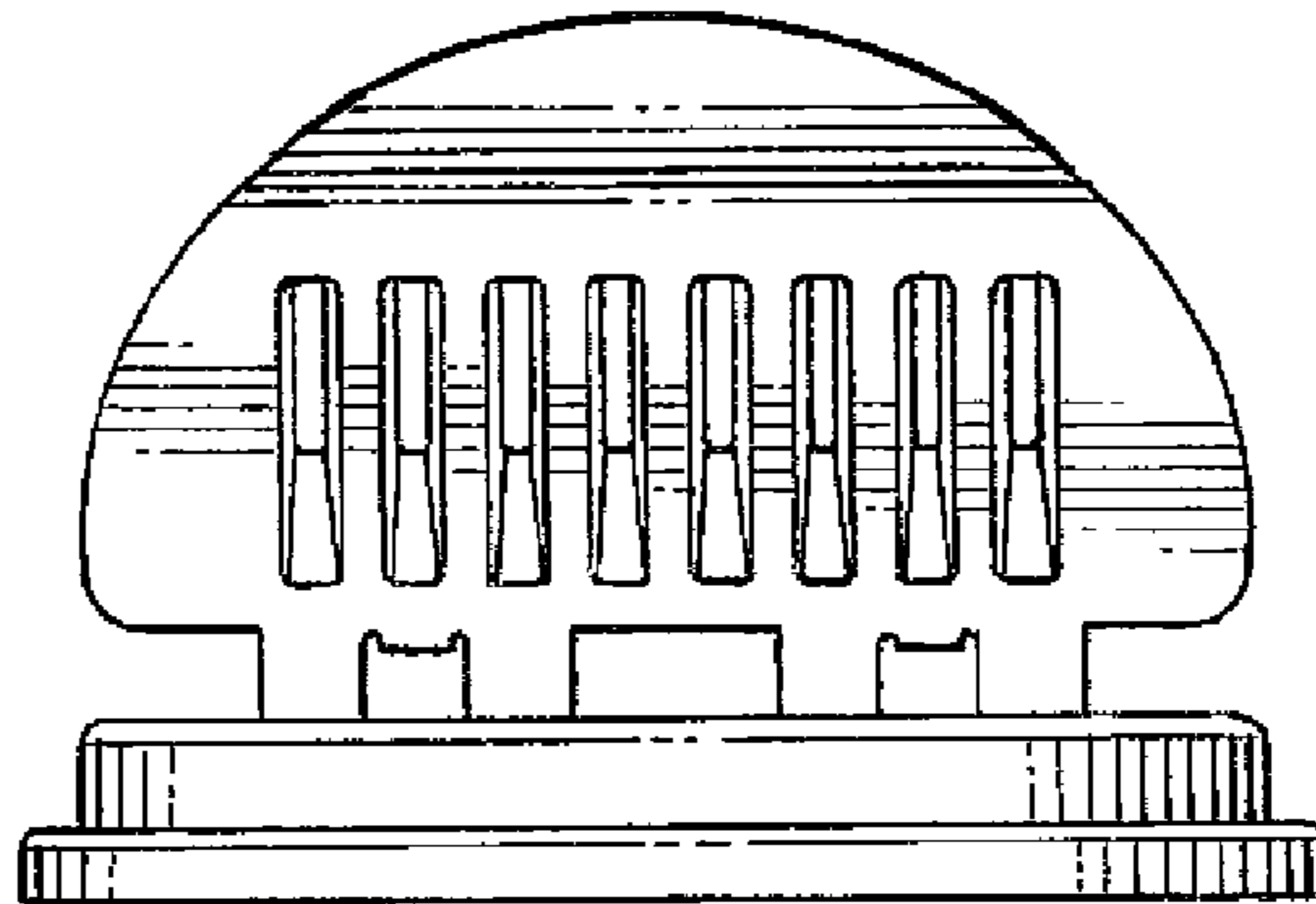


FIG. 5.

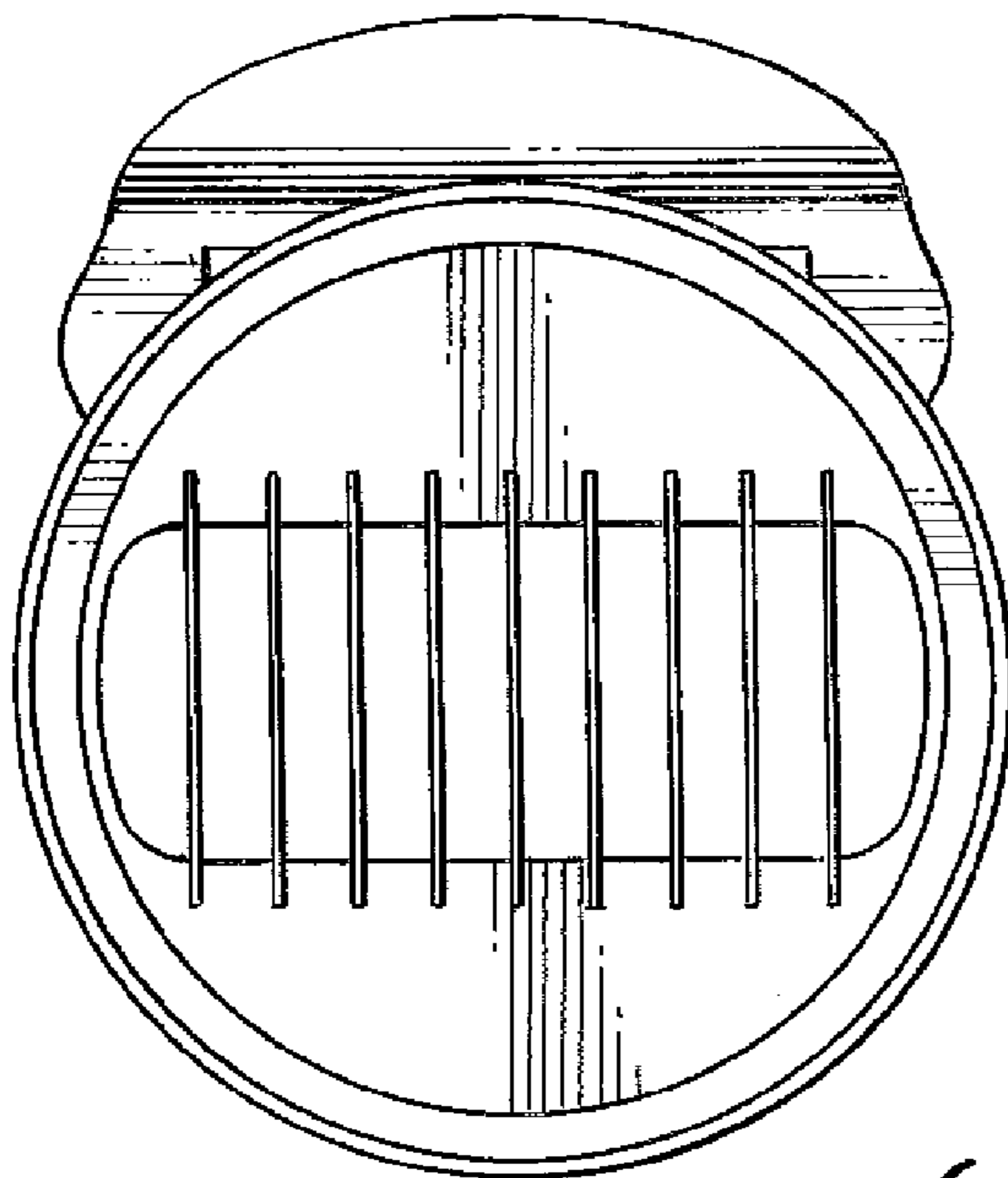


FIG. 6.