



US00D598716S

(12) **United States Design Patent**
Seehoff et al.

(10) **Patent No.:** **US D598,716 S**

(45) **Date of Patent:** **** Aug. 25, 2009**

(54) **LEMON SQUEEZER**

6,672,204 B2 * 1/2004 Fiorello 99/495
D534,826 S * 1/2007 Jossem et al. D7/665

(75) Inventors: **Gary Seehoff**, Encino, CA (US); **Bryan Golden**, Ventura, CA (US)

* cited by examiner

Primary Examiner—Terry A Wallace

(73) Assignee: **Evri Holder Products, LLC**, Anaheim, CA (US)

(57) **CLAIM**

(**) Term: **14 Years**

The ornamental design for a lemon squeezer, as shown and described.

(21) Appl. No.: **29/317,680**

(22) Filed: **May 5, 2008**

DESCRIPTION

(51) **LOC (9) Cl.** **07-04**

FIG. 1 illustrates a top view of the claimed design for a lemon squeezer;

(52) **U.S. Cl.** **D7/665**

FIG. 2 illustrates a front view thereof;

(58) **Field of Classification Search** D7/665,
D7/666, 629, 601, 602; 99/495, 497, 501–513;
241/100, 282.2, 33, 36, 37

FIG. 3 illustrates a left-side view thereof;

FIG. 4 illustrates a right-side view thereof;

See application file for complete search history.

FIG. 5 illustrates a rear view thereof;

FIG. 6 illustrates a bottom view thereof;

(56) **References Cited**

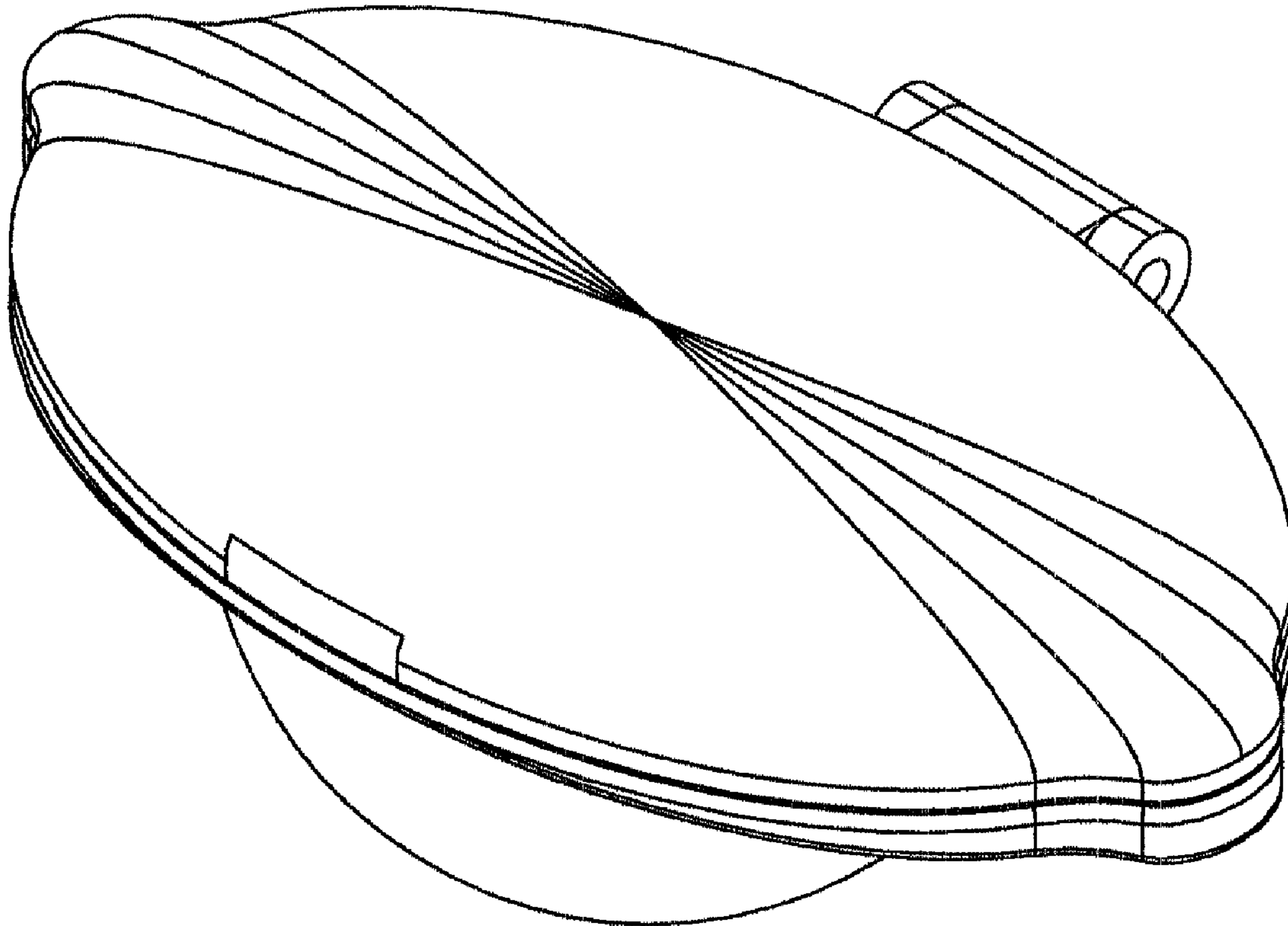
U.S. PATENT DOCUMENTS

FIG. 7 illustrates an internal sectional view thereof; and,

FIG. 8 illustrates a perspective view thereof.

D437,741 S * 2/2001 Steffens D7/665
D465,386 S * 11/2002 Wang et al. D7/665

1 Claim, 8 Drawing Sheets



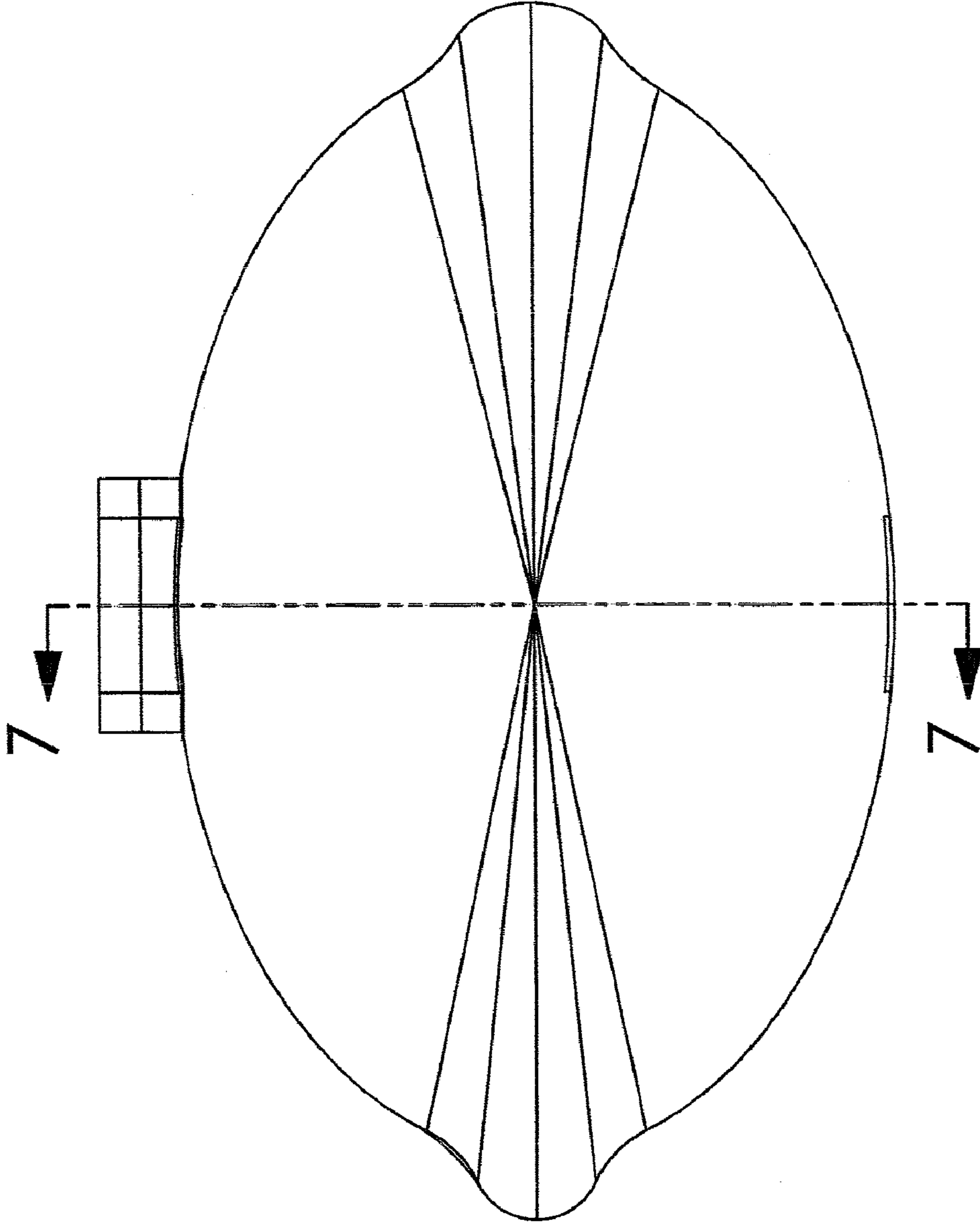


Fig 1

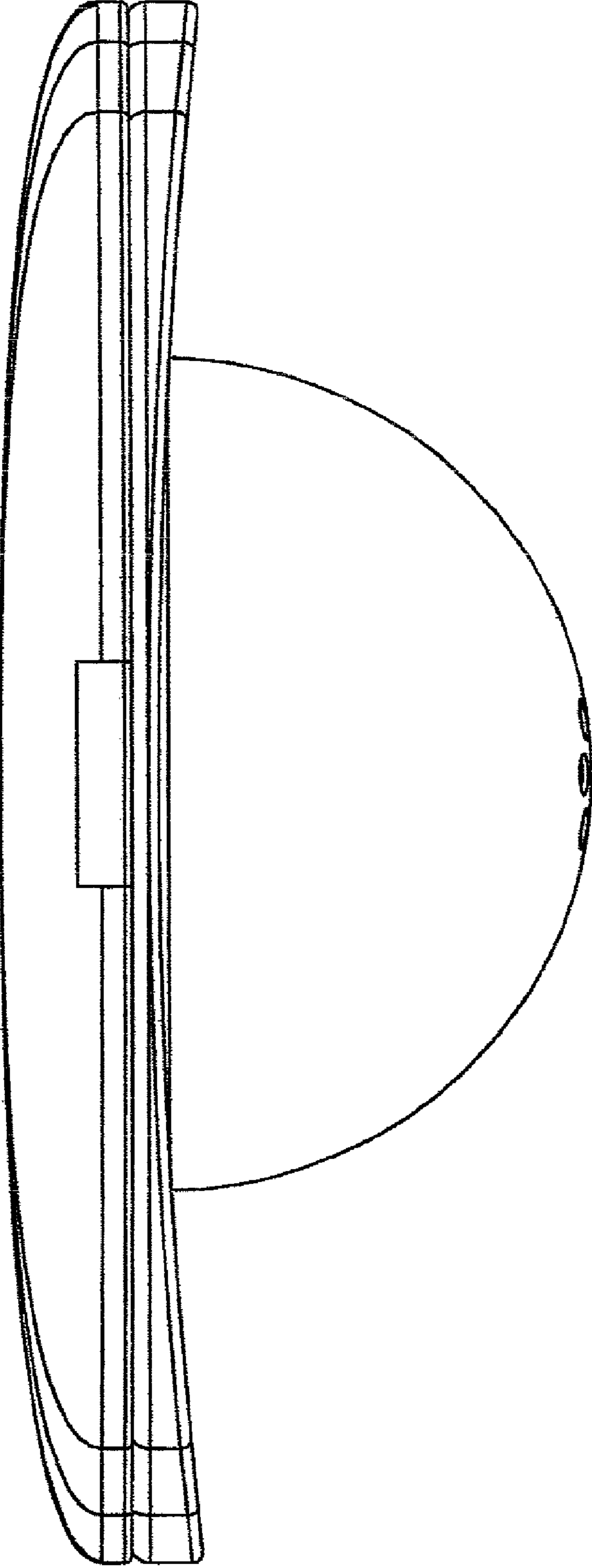


Fig 2

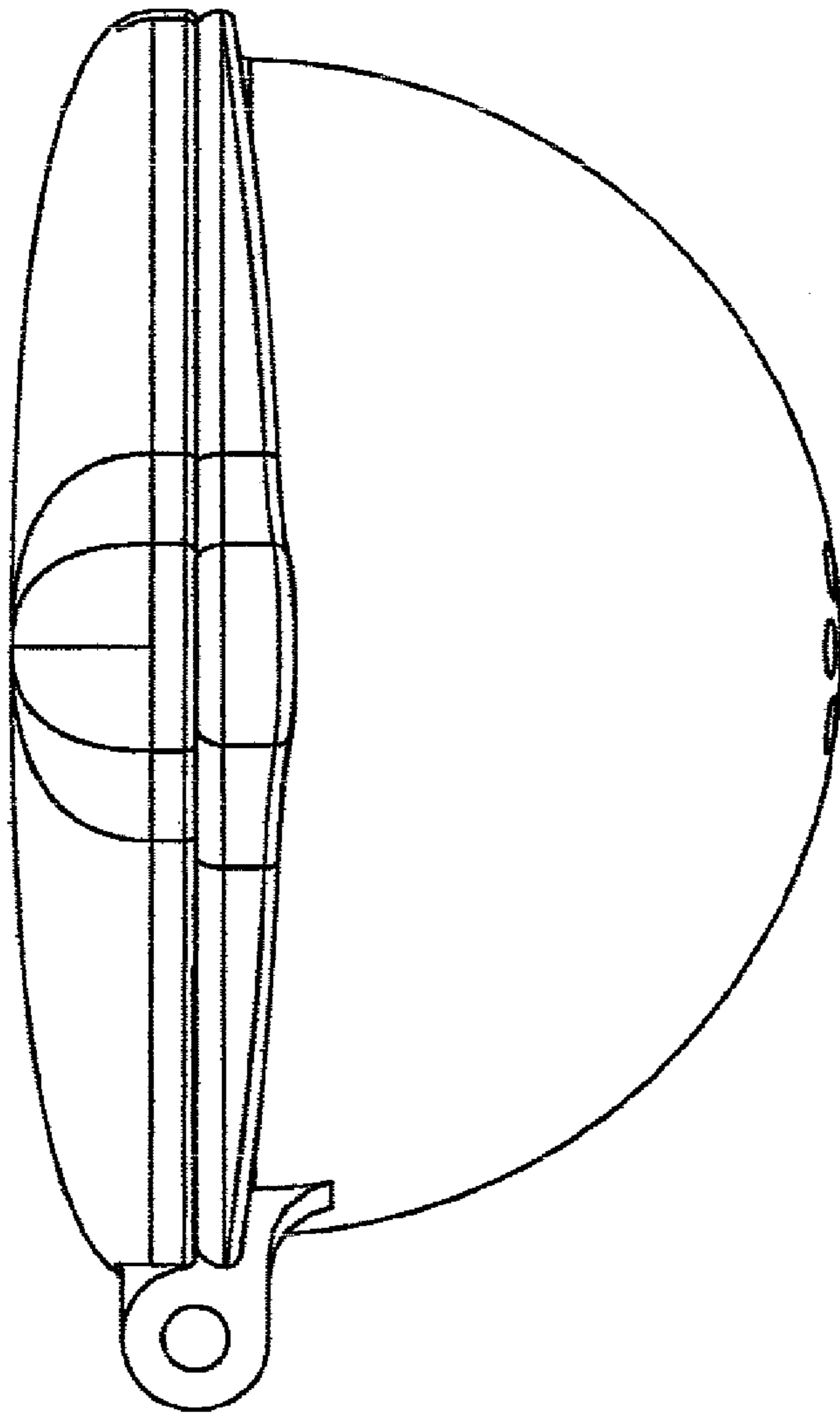


Fig 3

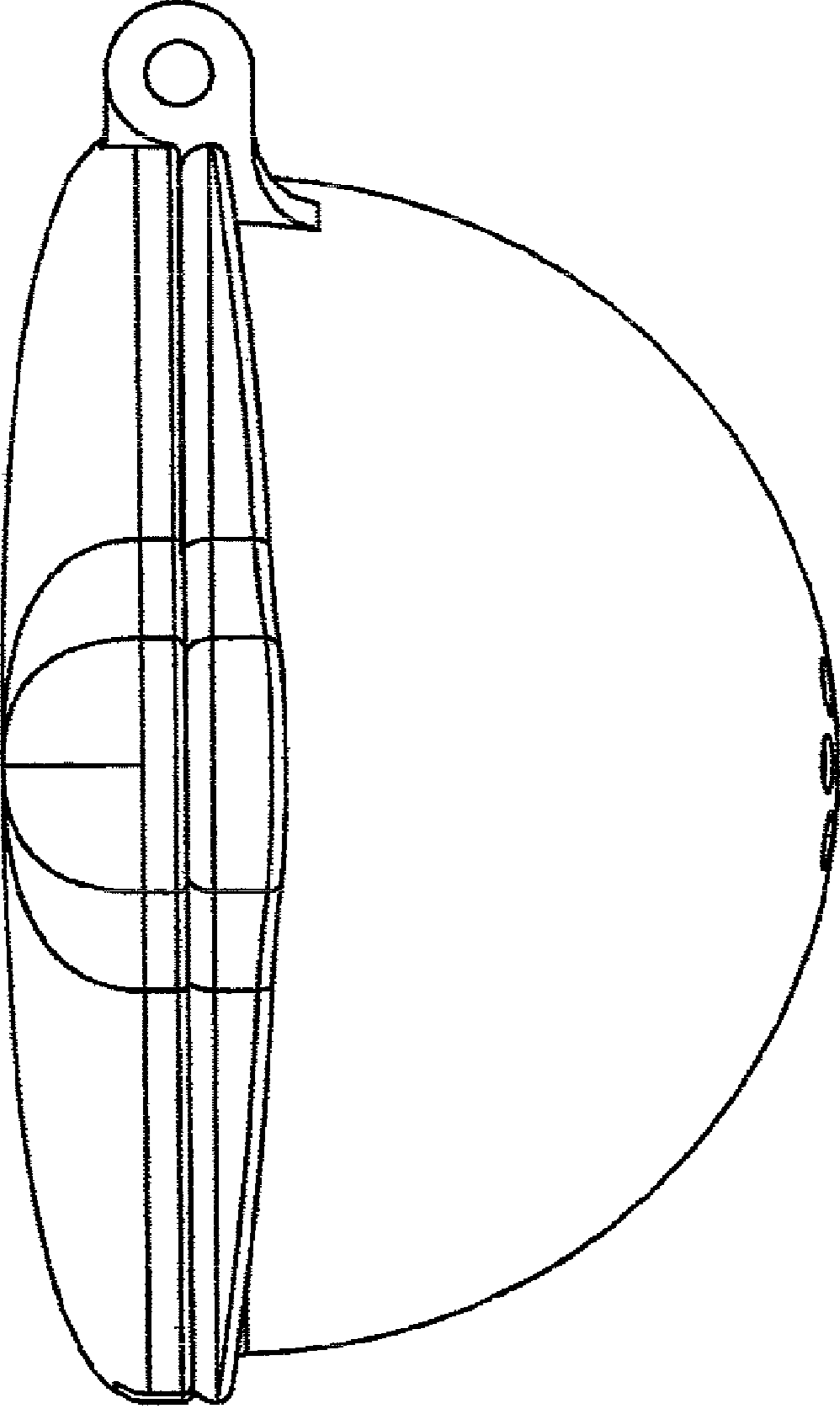


Fig 4

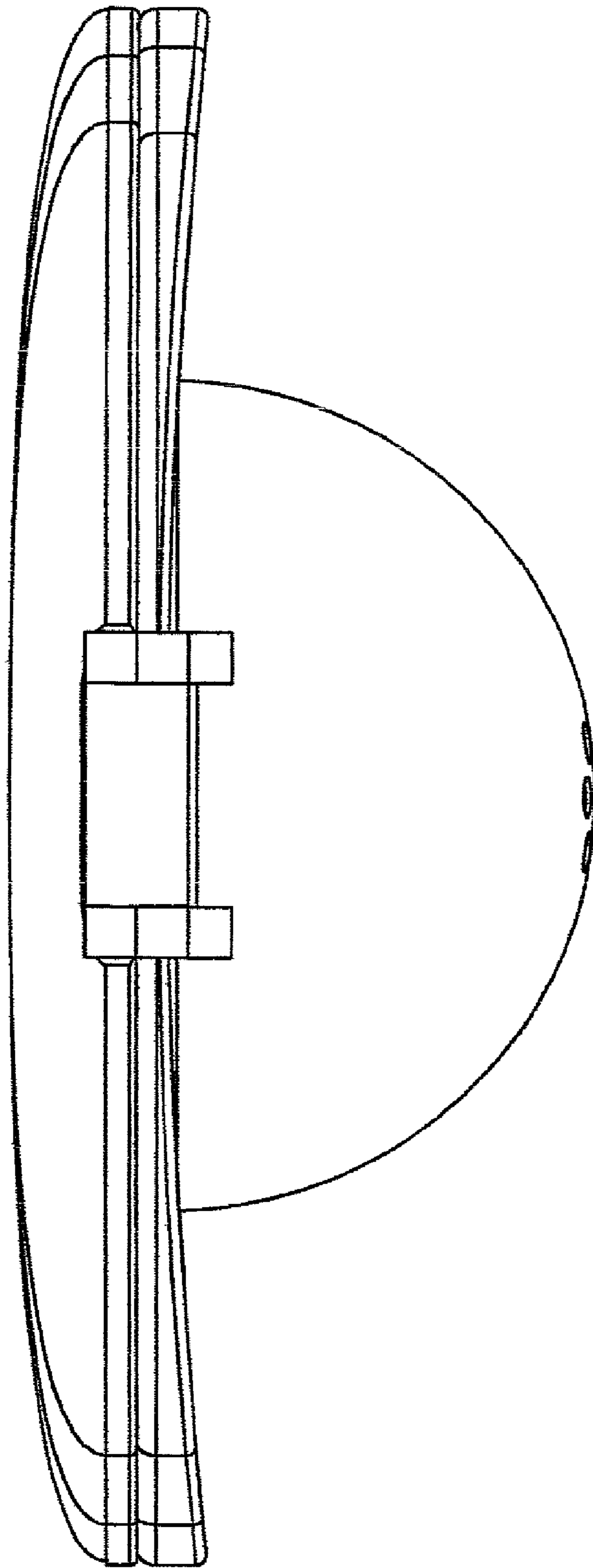


Fig 5

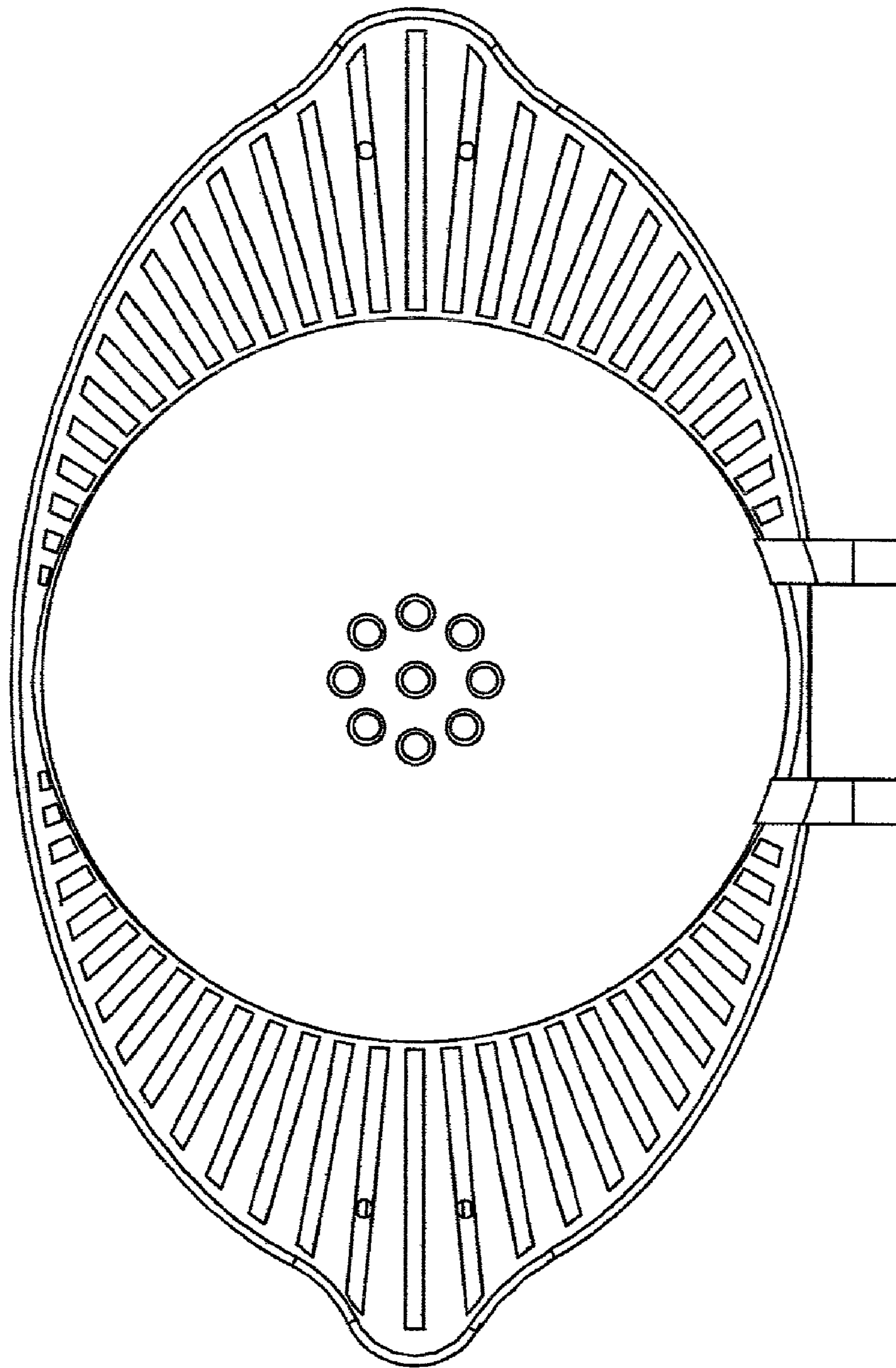


Fig 6

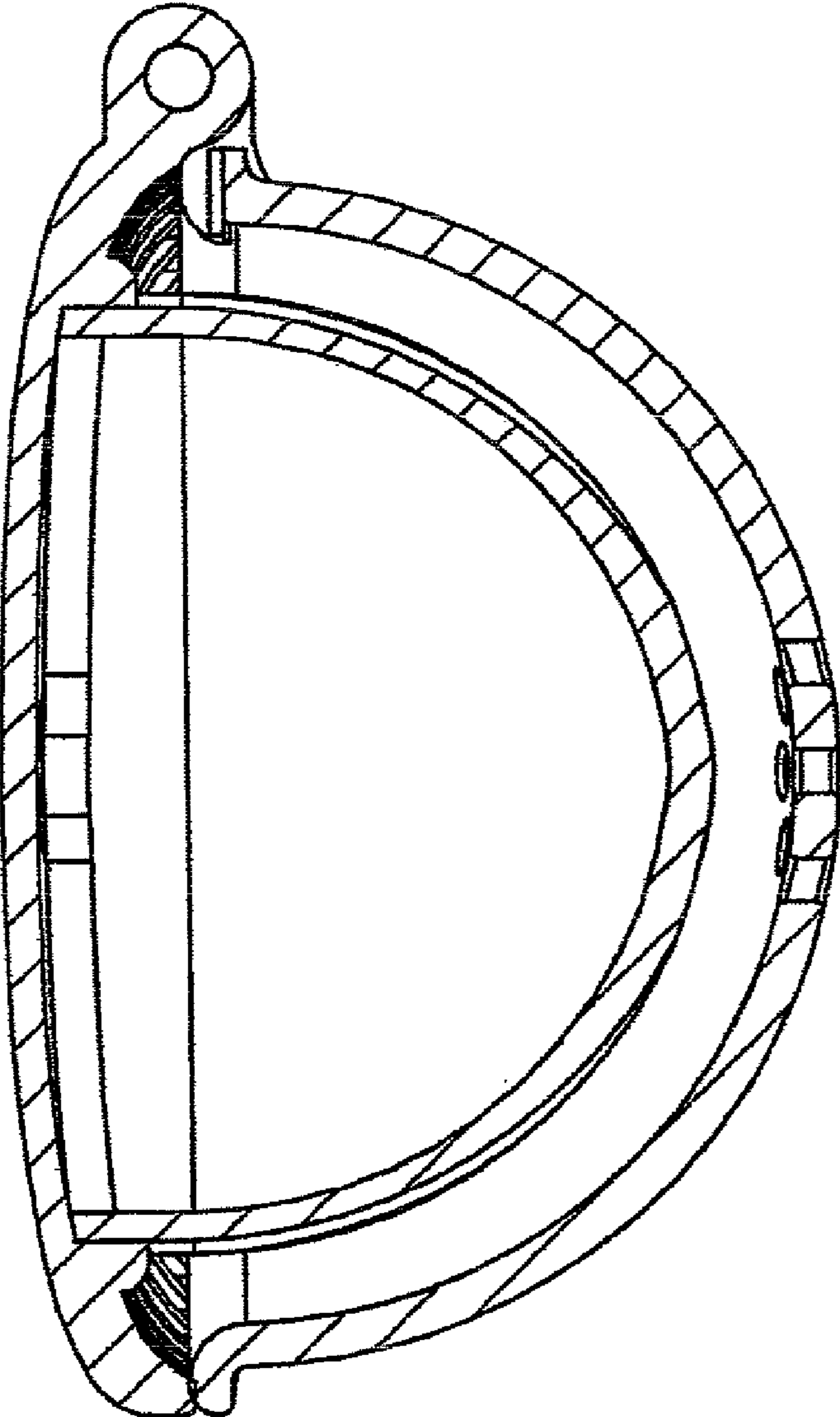


Fig 7

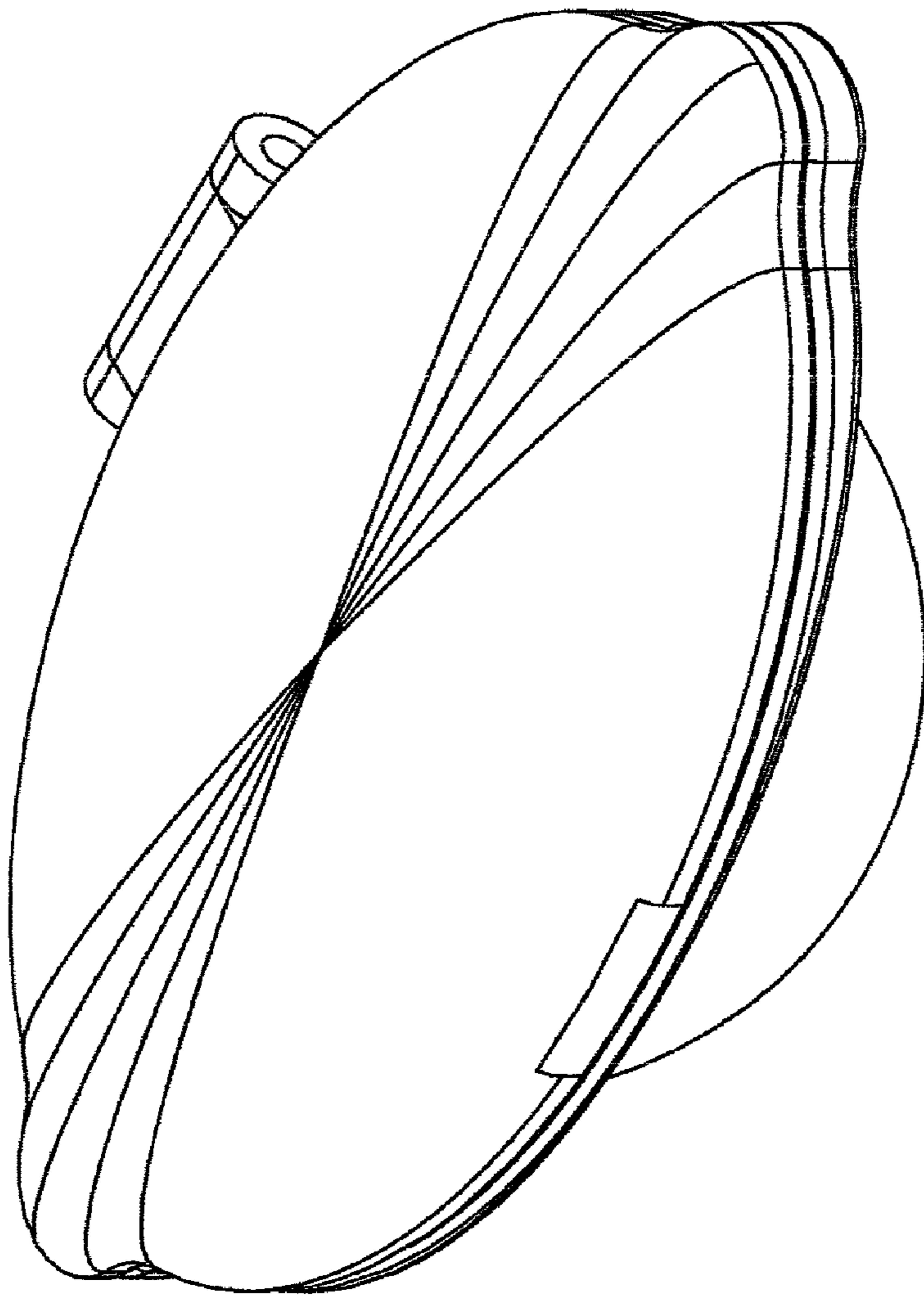


Fig 8