



US00D598714S

(12) **United States Design Patent**
Aagaard

(10) **Patent No.:** **US D598,714 S**

(45) **Date of Patent:** **** Aug. 25, 2009**

(54) **BARBEQUE GRID CLEANING TRAY**

(75) Inventor: **John Aagaard**, Aalborg (DK)

(73) Assignee: **Easy Grill-Cleaner Rights APS**,
Aalborg (DK)

(**) Term: **14 Years**

(21) Appl. No.: **29/274,816**

(22) Filed: **May 29, 2007**

(30) **Foreign Application Priority Data**

Nov. 29, 2006 (EM) 000631346-0001-0004

(51) **LOC (9) Cl.** **07-01**

(52) **U.S. Cl.** **D7/554.1; D7/554.2; D7/584**

(58) **Field of Classification Search** D7/360,
D7/392.1, 538, 542, 545, 546, 555, 560, 601,
D7/602, 543, 548, 552.1-554.4, 584, 586-588,
D7/394, 585, 565, 571; D9/430, 431, 433,
D9/702, 703, 655-657; 220/608, 574; 211/74;
229/106

See application file for complete search history.

(56) **References Cited**

U.S. PATENT DOCUMENTS

2,080,125 A * 5/1937 Frost 229/125.015
3,521,777 A * 7/1970 Vik 414/608

4,226,255 A 10/1980 Tarrer
5,139,166 A * 8/1992 Smith 220/574
D335,795 S * 5/1993 Conti D7/545
D391,440 S * 3/1998 Cousins D7/360
D433,597 S * 11/2000 Fradkin D7/392.1
6,463,945 B1 10/2002 Russell
D475,571 S * 6/2003 Hopkins D7/359
D546,128 S * 7/2007 Carlson D7/554.2

* cited by examiner

Primary Examiner—Charles A Rademaker
Assistant Examiner—Charles D Hanson
(74) *Attorney, Agent, or Firm*—Dykema Gossett PLLC

(57) **CLAIM**

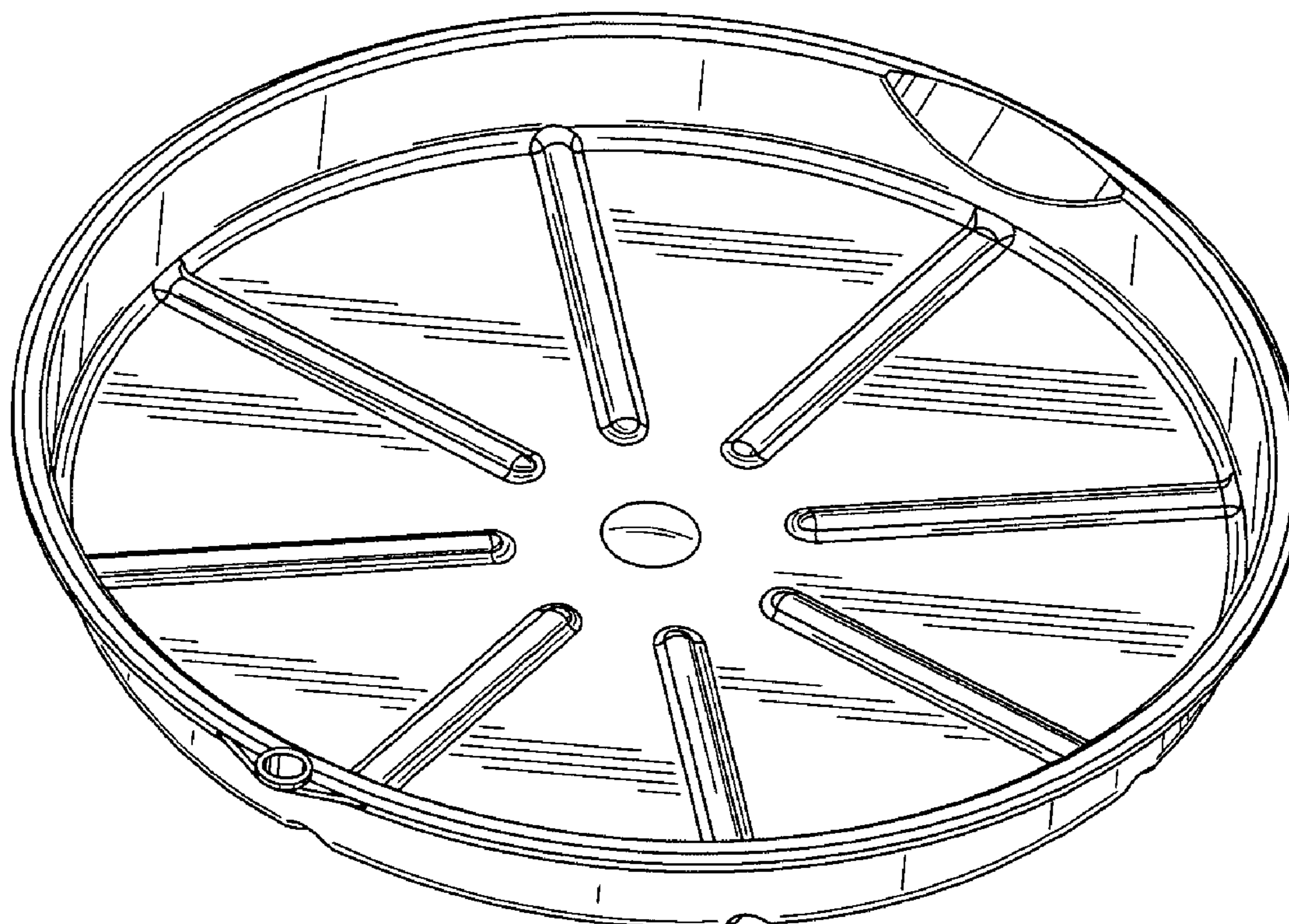
The ornamental design for a barbeque grid cleaning tray, as shown and described.

DESCRIPTION

FIG. 1 is a top perspective of a barbeque grid cleaning tray, showing my new design; and,

FIG. 2 is a bottom perspective view thereof.

1 Claim, 2 Drawing Sheets



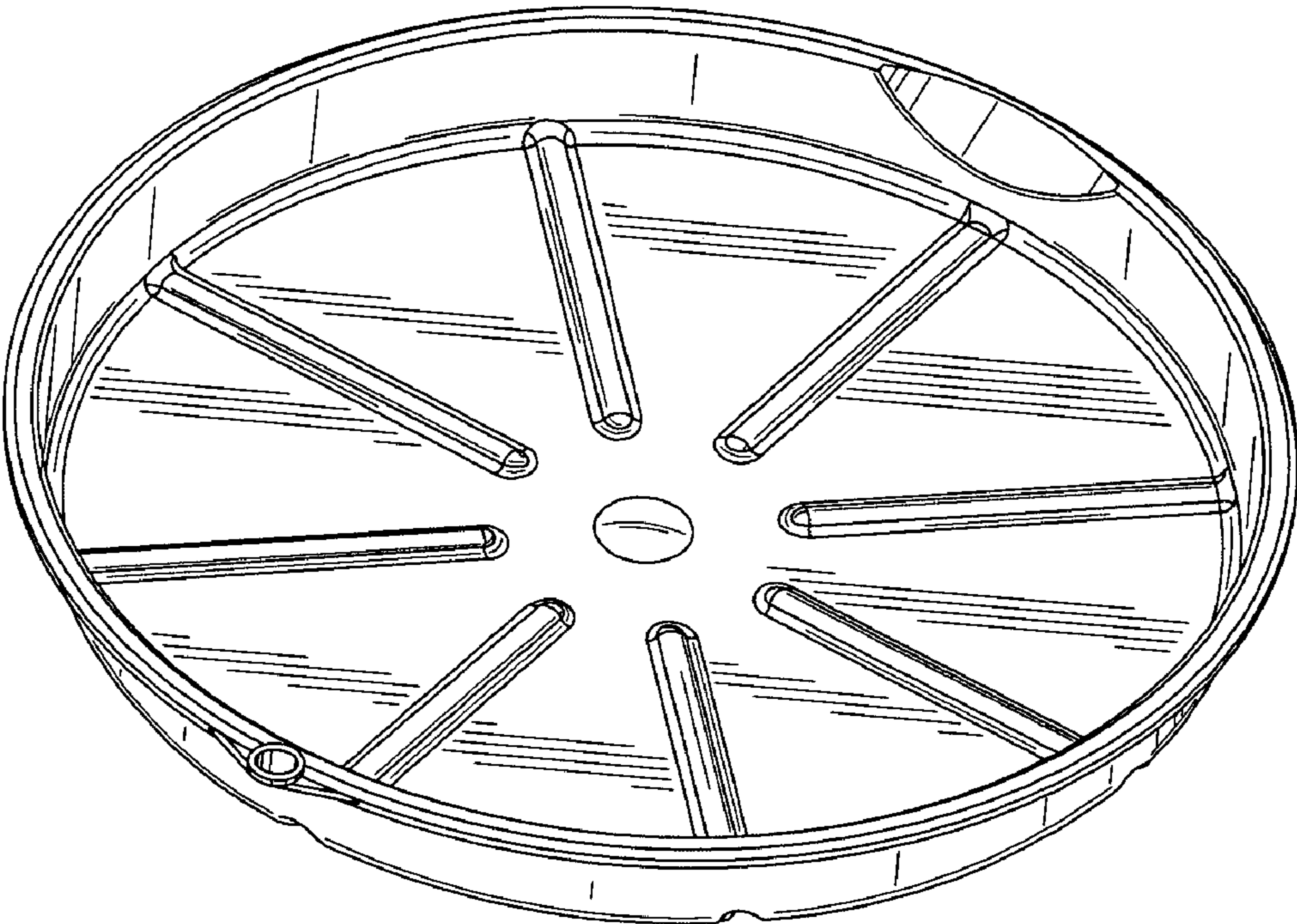


FIG. 1

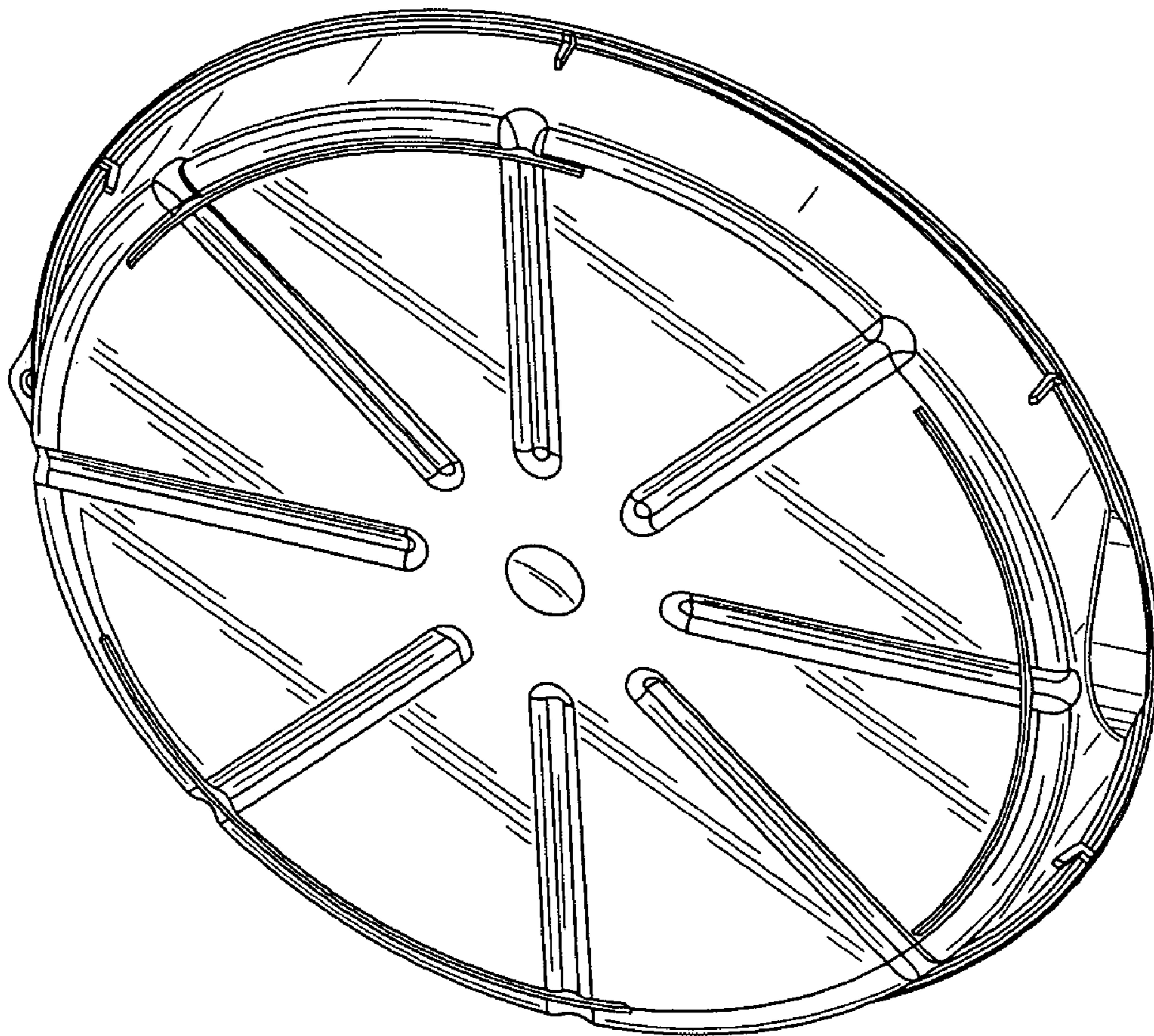


FIG. 2