



US00D598709S

(12) **United States Design Patent**
Scholz et al.

(10) **Patent No.:** **US D598,709 S**

(45) **Date of Patent:** **** Aug. 25, 2009**

(54) **TOP PLATE OF A GRILL**

(75) Inventors: **Kay Scholz**, Hamburg (DE); **Otto Langguth**, Tangstedt (DE); **Karsten Anklam**, Bargteheide (DE)

(73) Assignee: **H.H. Scholz KG**, Hamburg (DE)

(**) Term: **14 Years**

(21) Appl. No.: **29/330,898**

(22) Filed: **Jan. 15, 2009**

(30) **Foreign Application Priority Data**

Nov. 5, 2008 (EM) 001034003

(51) **LOC (9) Cl.** **07-02**

(52) **U.S. Cl.** **D7/409**

(58) **Field of Classification Search** D7/323,
D7/354-363, 388, 390, 402, 404, 407, 409,
D7/554.3, 698; 99/324, 402, 421 A, 421 H,
99/421 HH, 421 R, 422-427, 449-450; 126/9 R;
219/443, 730, 759, 1; 220/485, 491-494,
220/500, 507, 573.1, 752, 759, 769, 912

See application file for complete search history.

(56) **References Cited**

U.S. PATENT DOCUMENTS

4,471,749 A *	9/1984	Galdes	126/9 R
D363,191 S *	10/1995	Gibson	D7/402
D383,356 S *	9/1997	Stuck	D7/407
D386,044 S *	11/1997	Stuck	D7/407
D534,034 S *	12/2006	Chambers	D7/402

* cited by examiner

Primary Examiner—Caron Veynar

Assistant Examiner—Ricky Pham

(74) *Attorney, Agent, or Firm*—Venable LLP; Robert Kinberg; Leigh D. Thelen

(57) **CLAIM**

The ornamental design for a top plate of a grill, as shown and described.

DESCRIPTION

FIG. 1 is a front-left-top perspective view of the top plate of a grill.

FIG. 2 is a view from the left side of the top plate of a grill;

FIG. 3 is a view from the right side of the top plate of a grill;

FIG. 4 is a view from the rear side of the top plate of a grill;

FIG. 5 is a view from the front side of the top plate of a grill;

FIG. 6 is a view from the top side of the top plate of a grill;

FIG. 7 is a view from the bottom side of the top plate of a grill;

FIG. 8 is a front-left-top perspective view of a second embodiment of the top plate of a grill;

FIG. 9 is a view from the left side of FIG. 8;

FIG. 10 is a view from the right side thereof;

FIG. 11 IS a view from the rear side thereof;

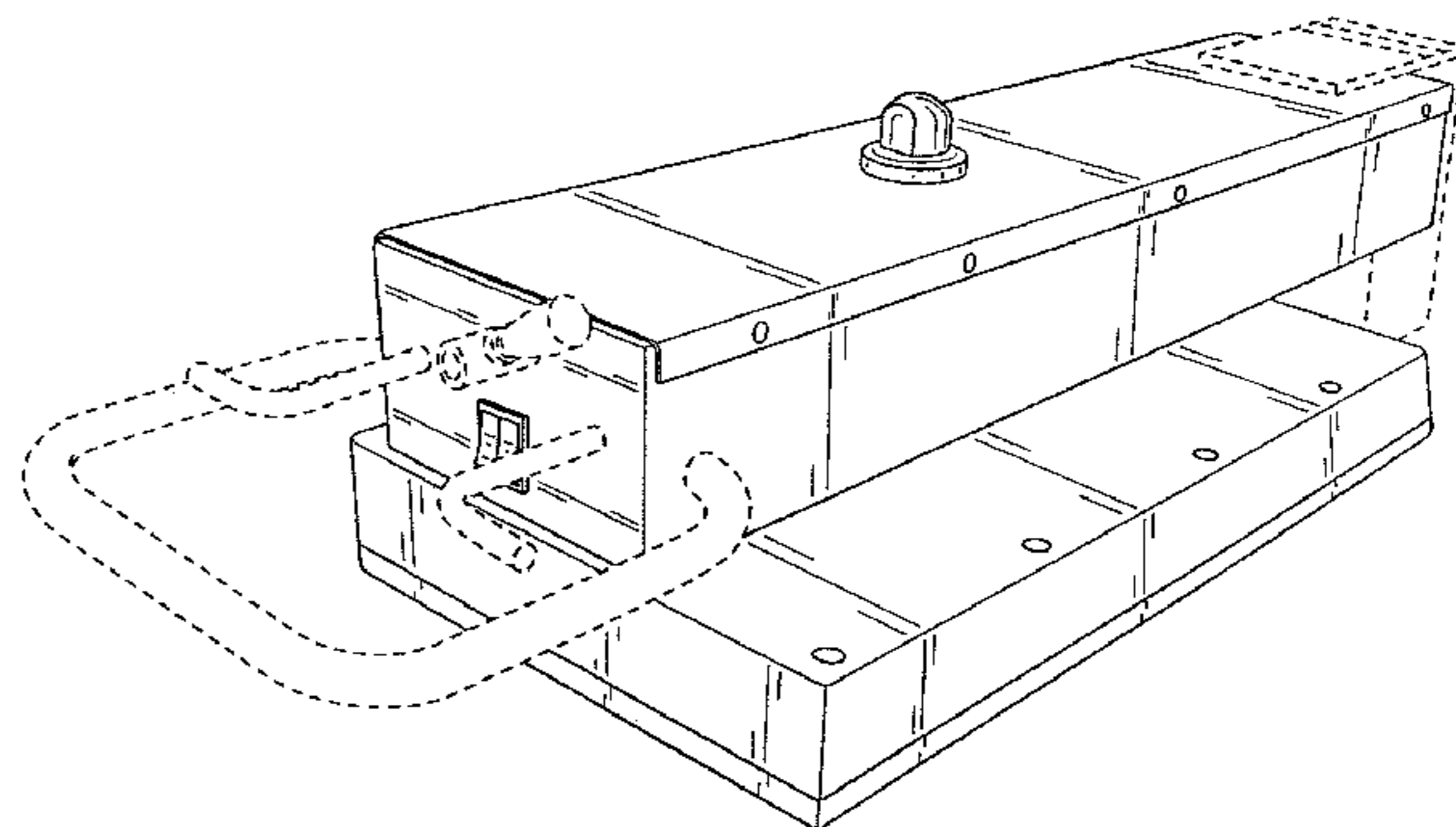
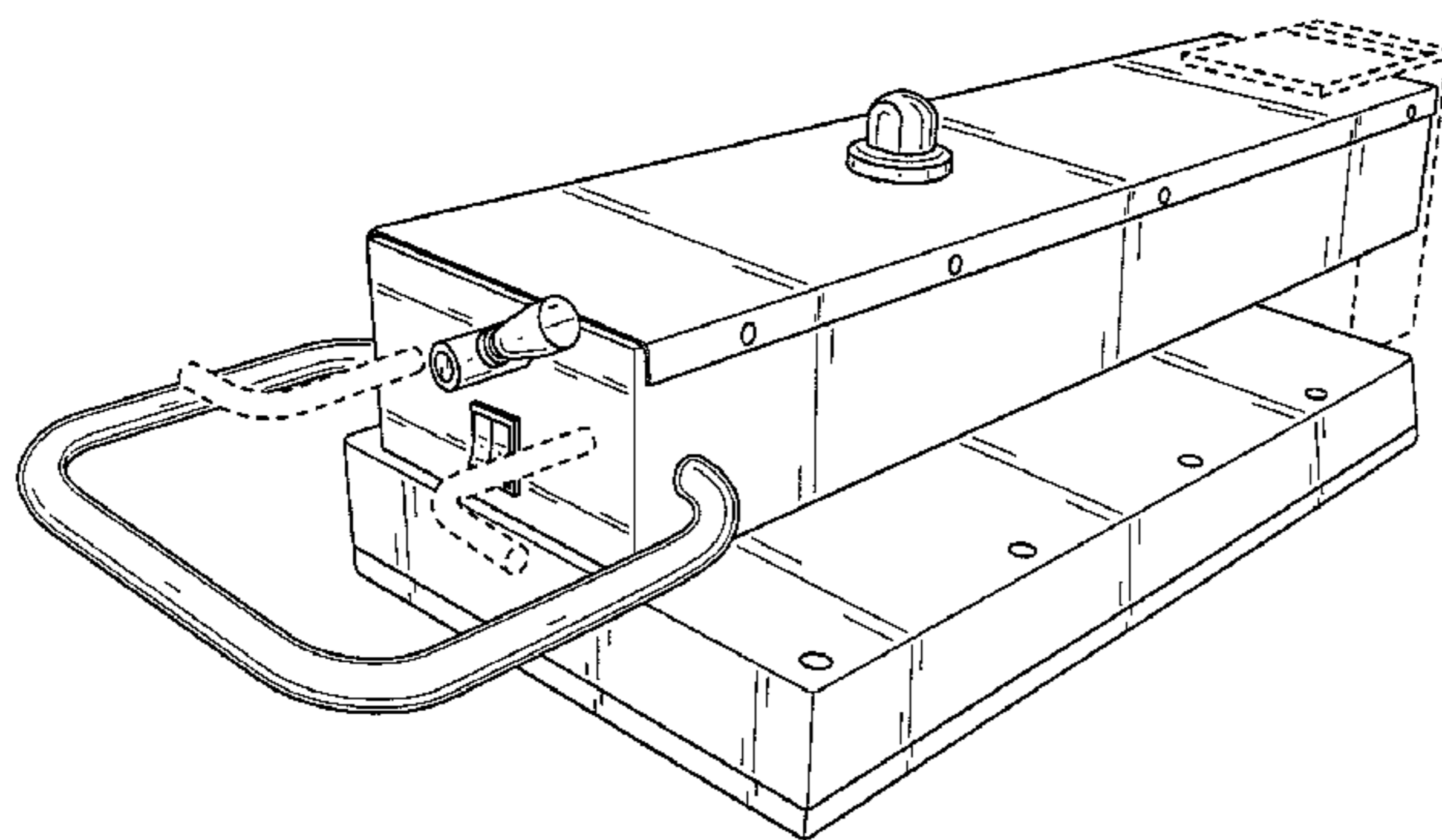
FIG. 12 is a view from the front side thereof;

FIG. 13 is a view from the top side thereof; and,

FIG. 14 is a view from the bottom side thereof.

The broken lines shown in the drawings are for illustrative purposes only and form no part of the claimed design.

1 Claim, 12 Drawing Sheets



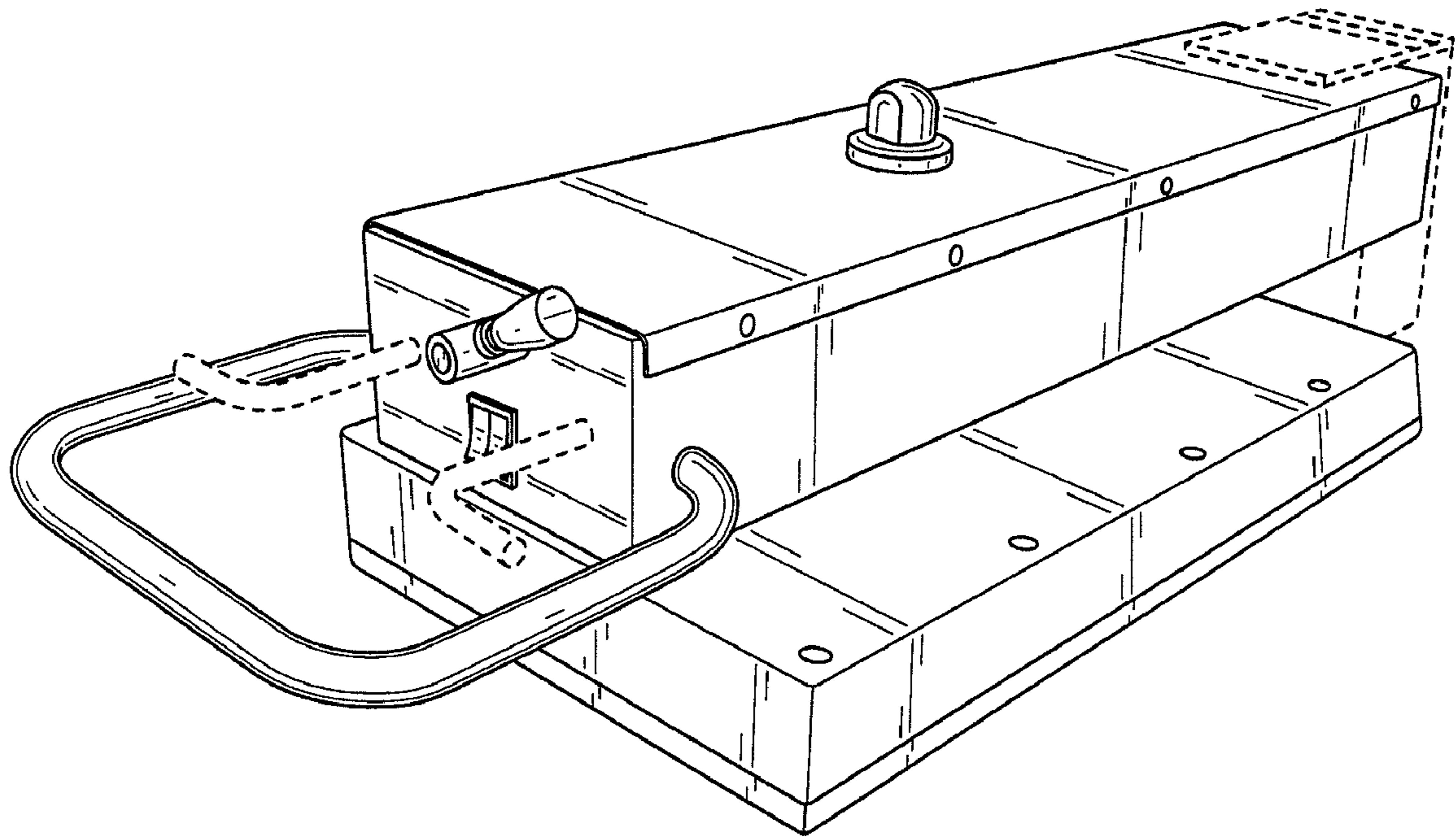


FIG. 1

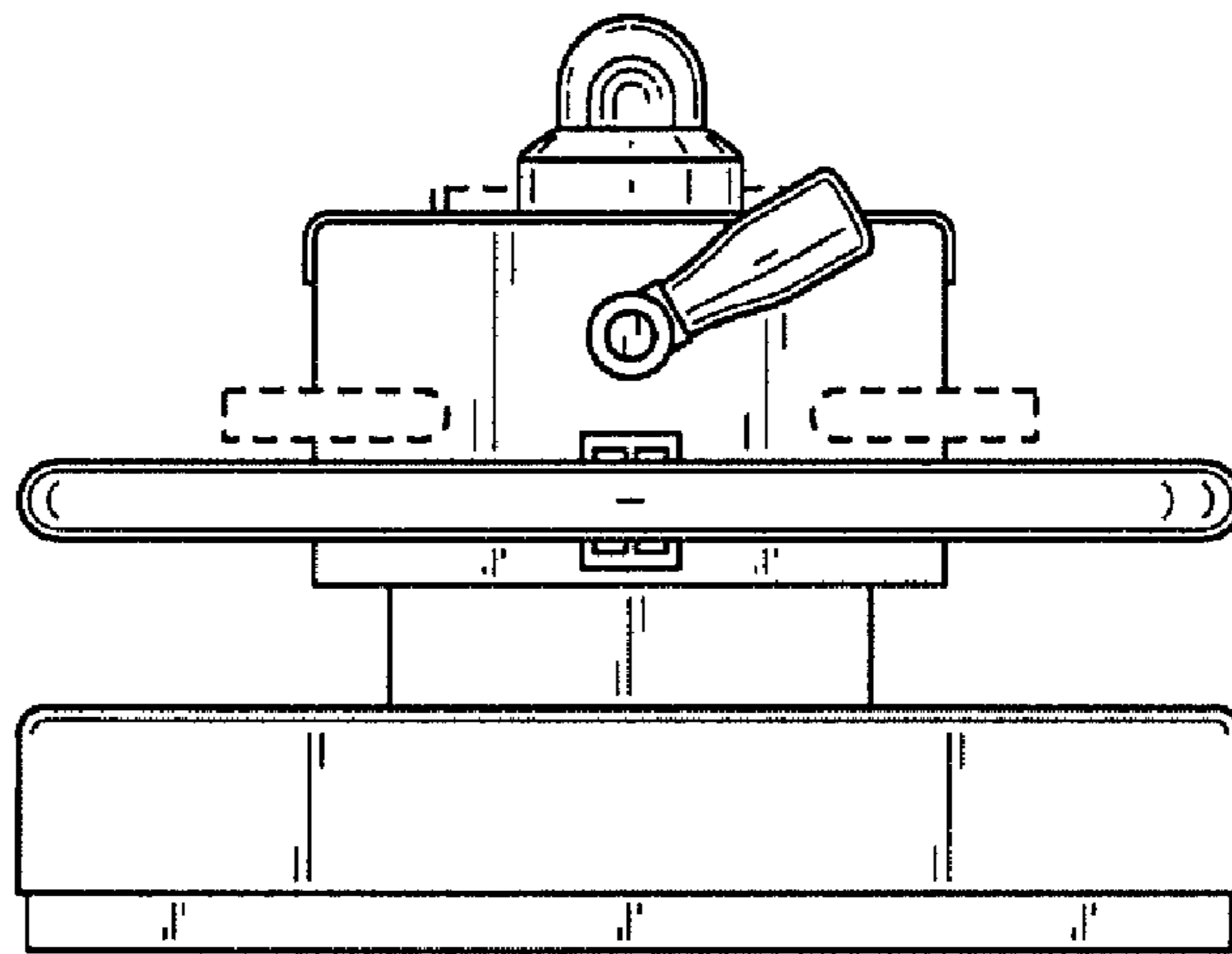


FIG. 2

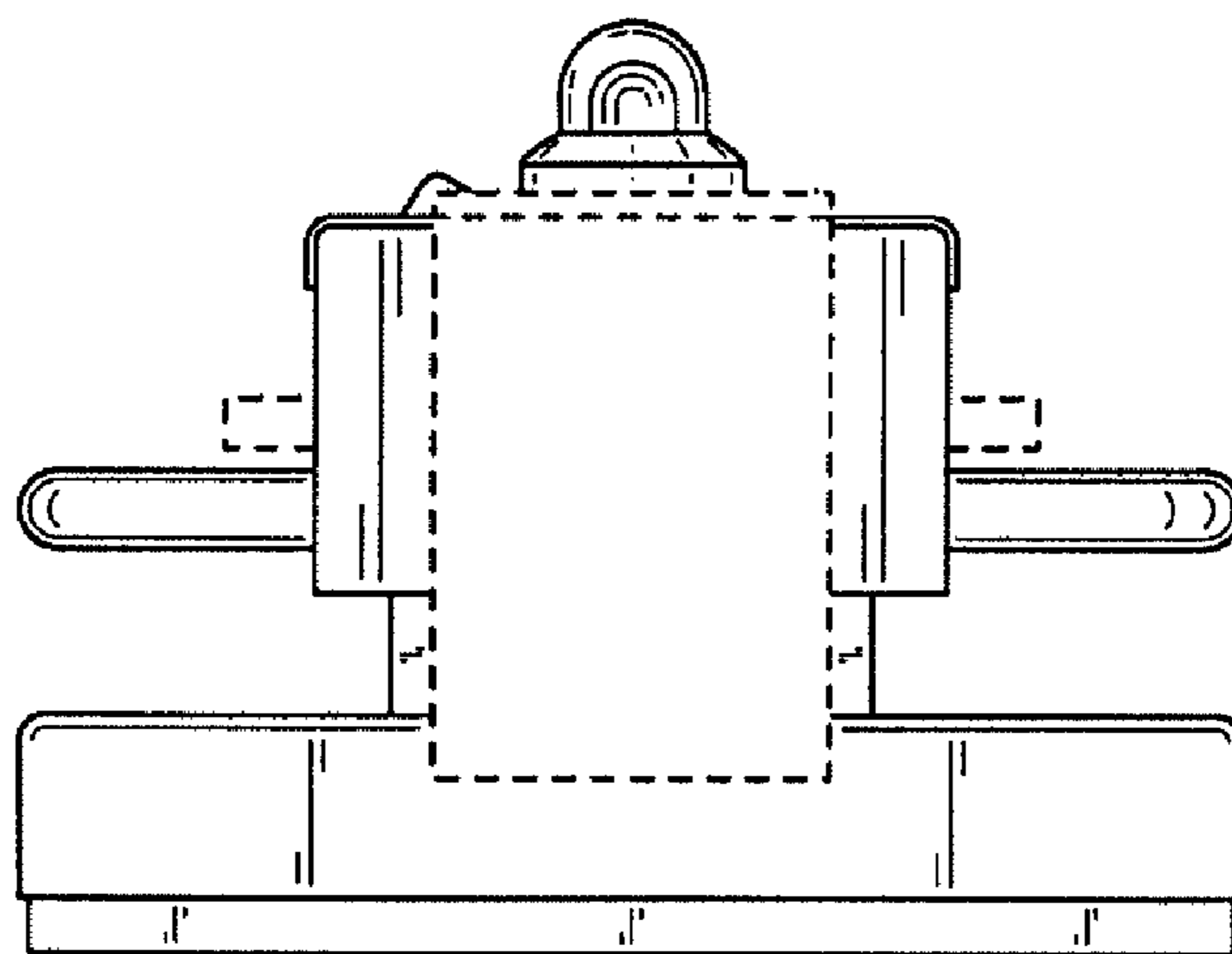


FIG. 3

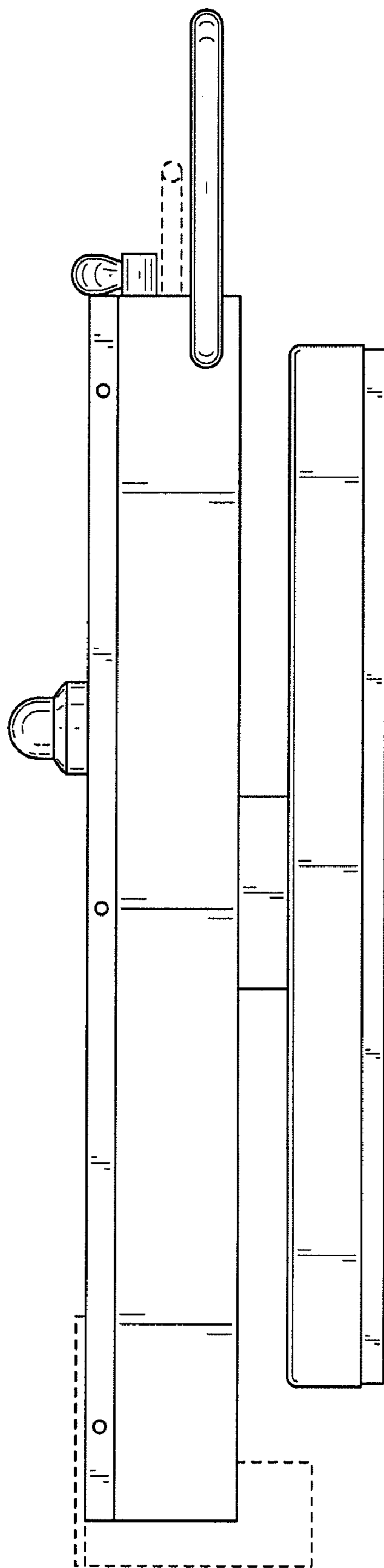


FIG. 4

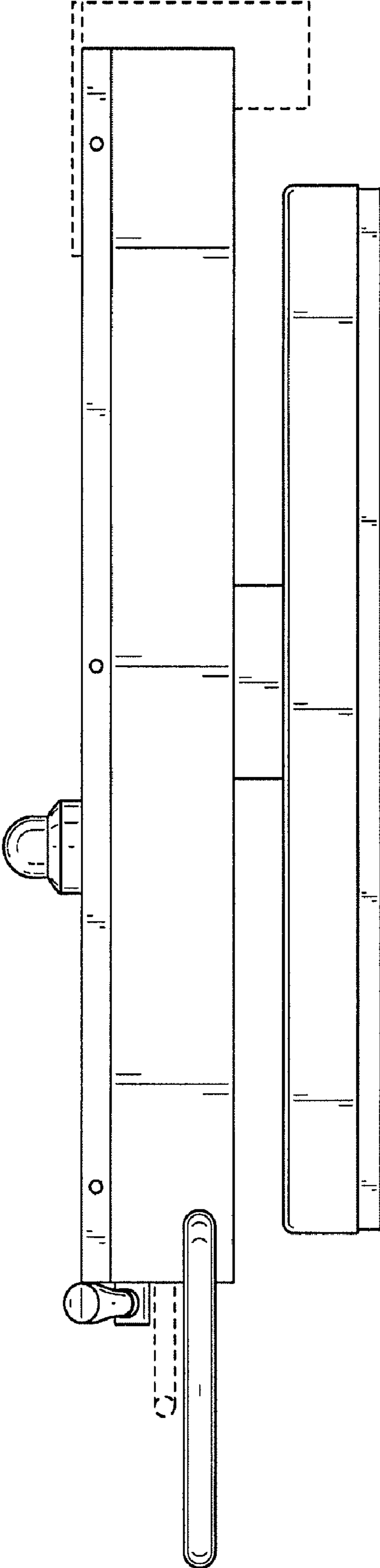


FIG. 5

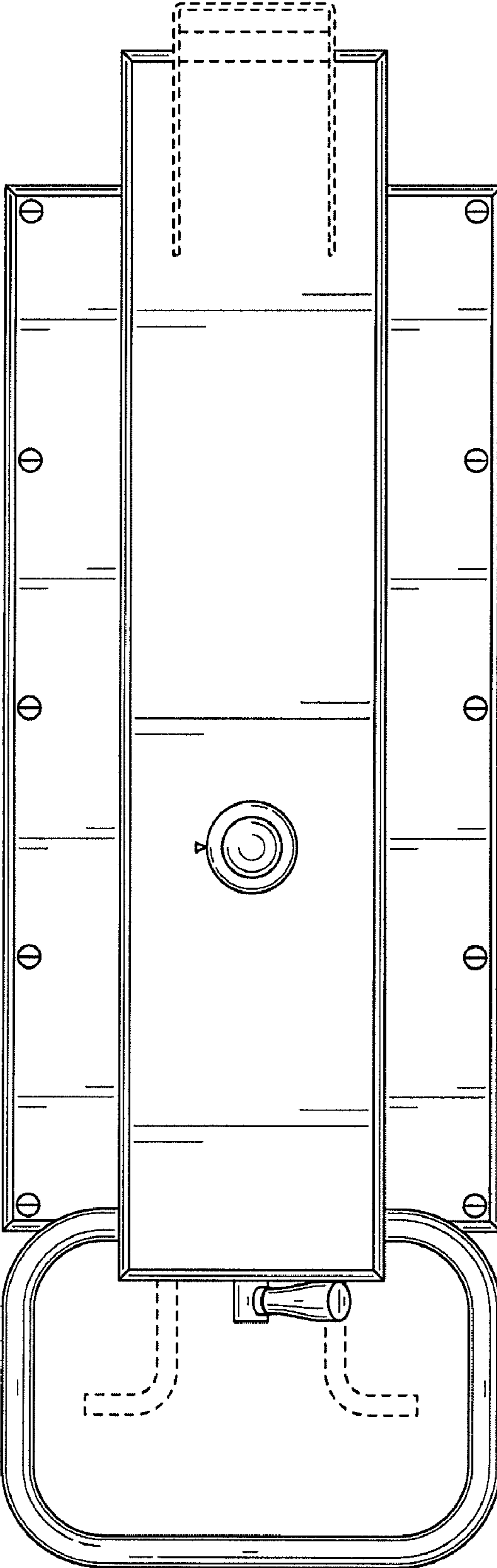


FIG. 6

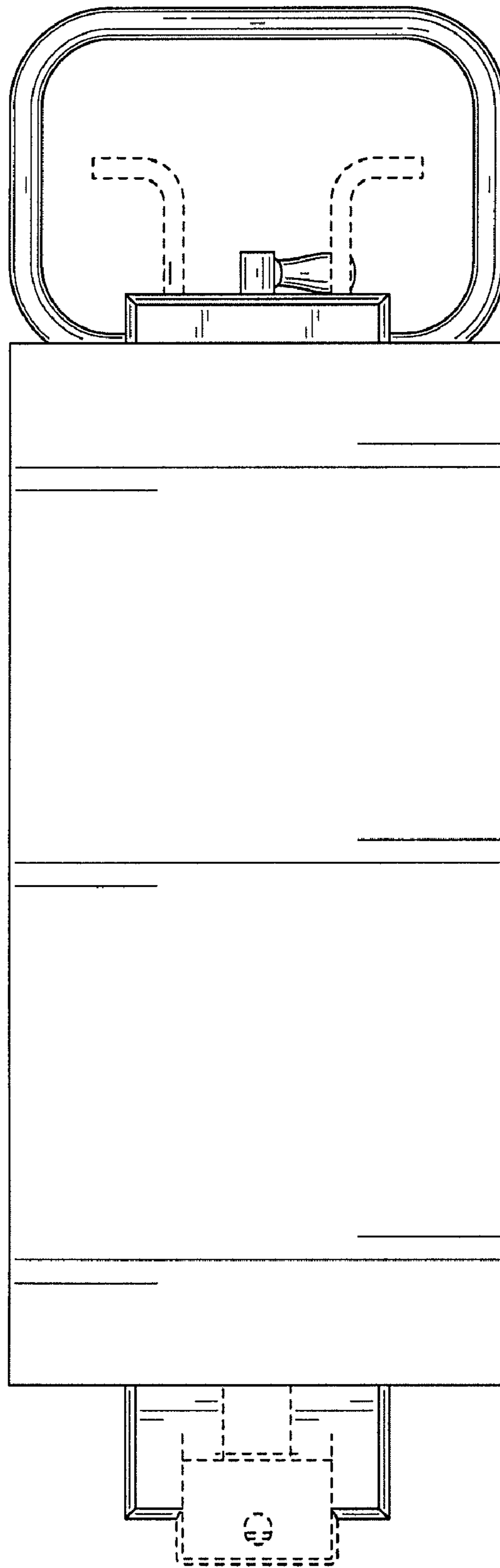


FIG. 7

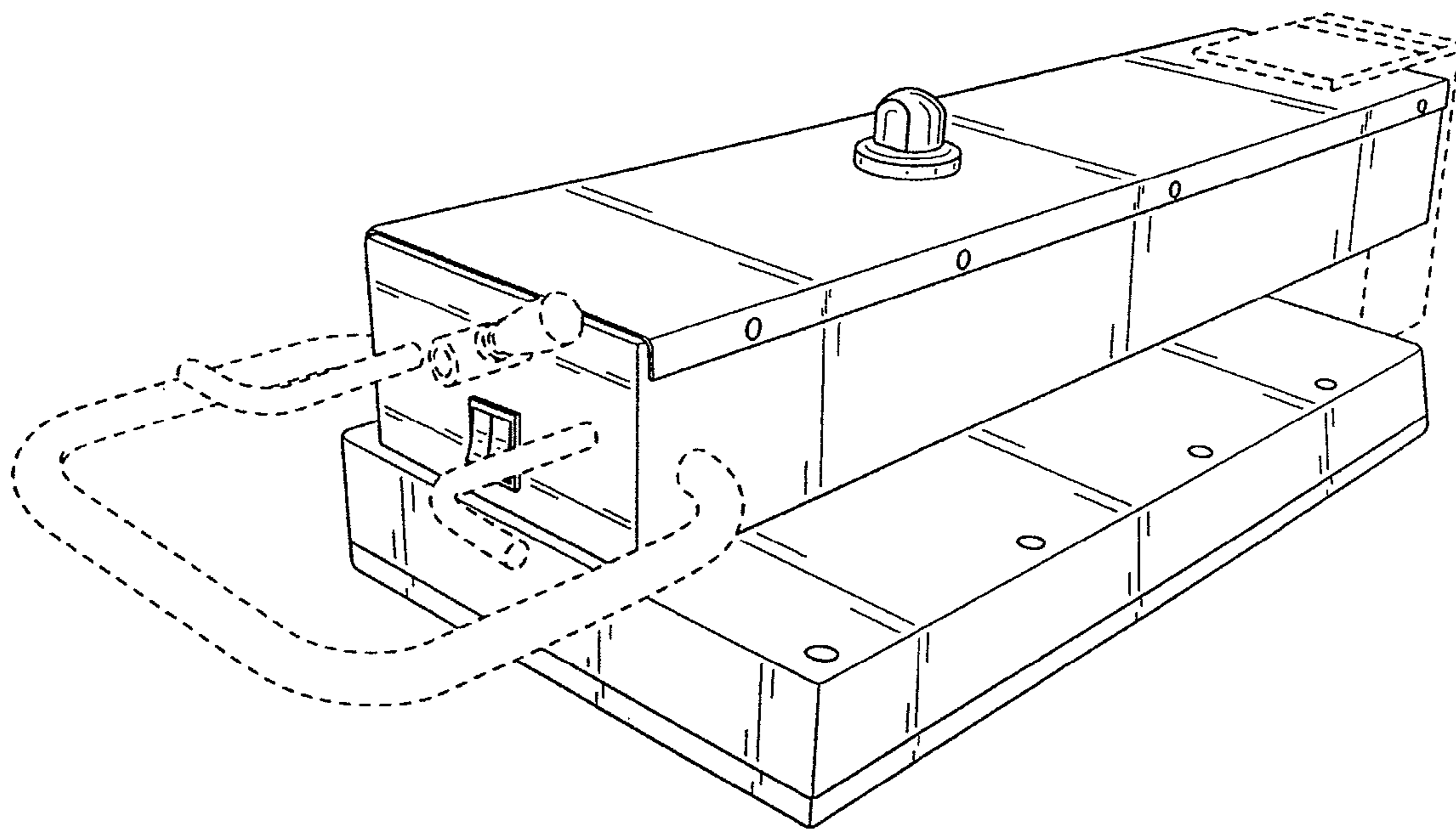


FIG. 8

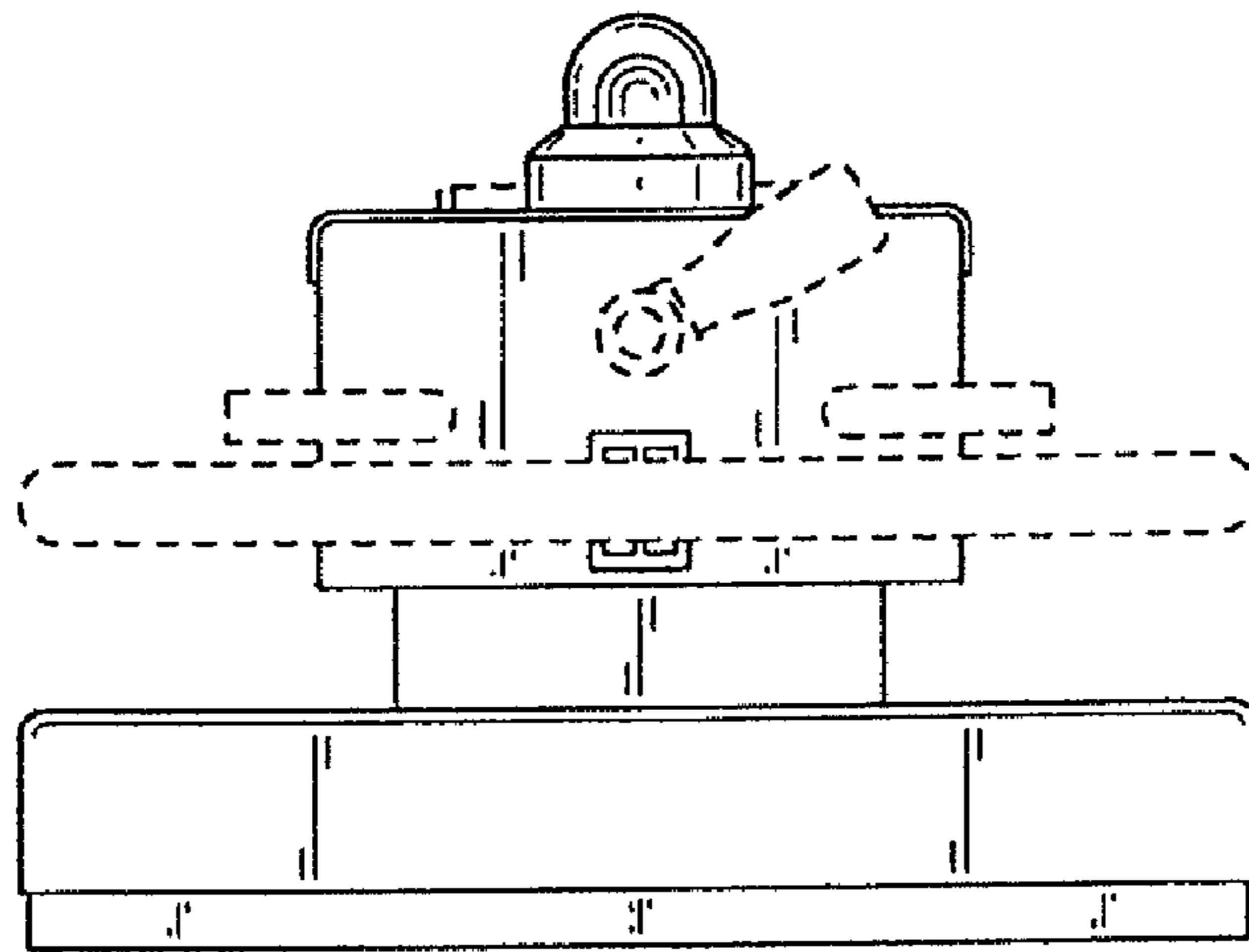


FIG. 9

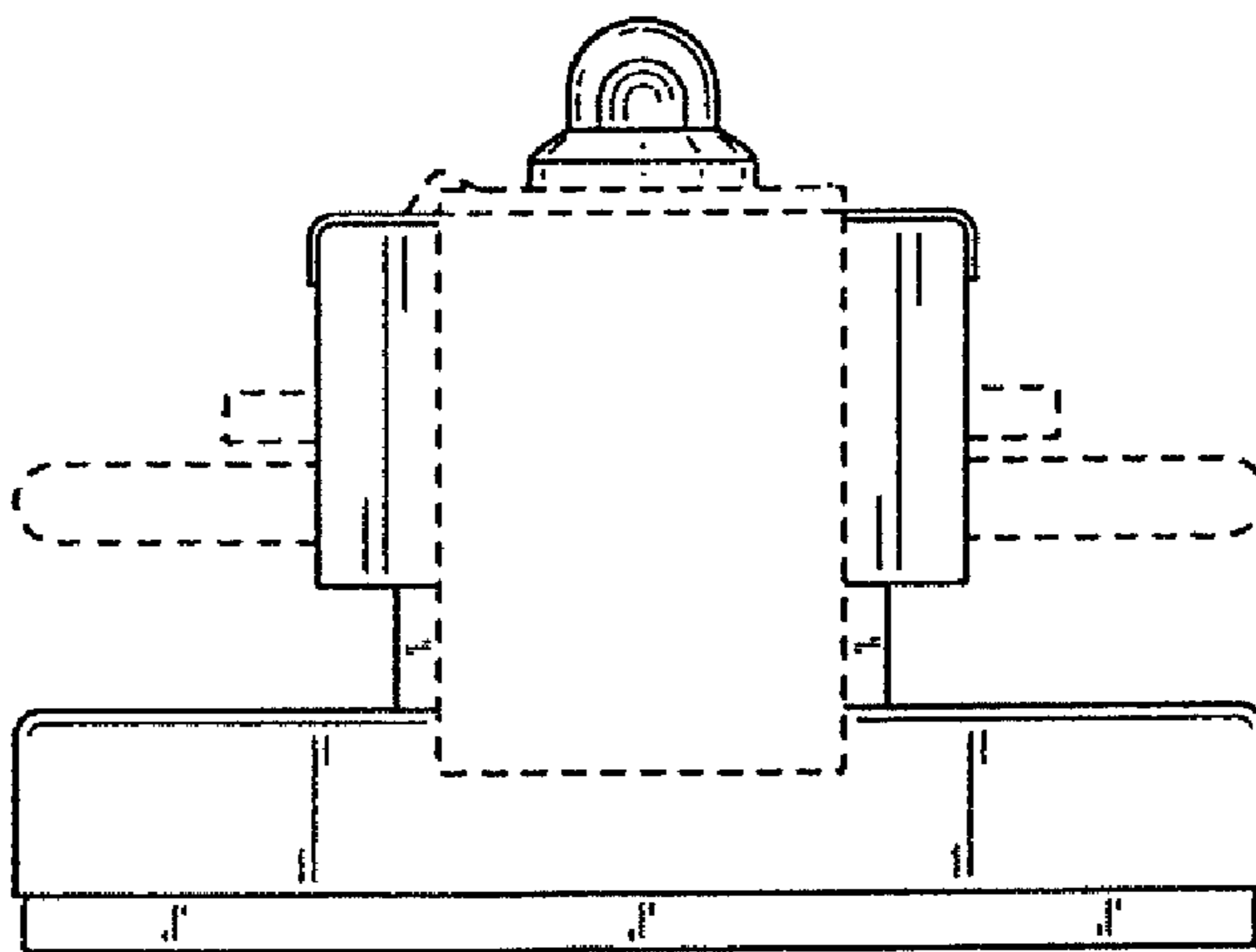


FIG. 10

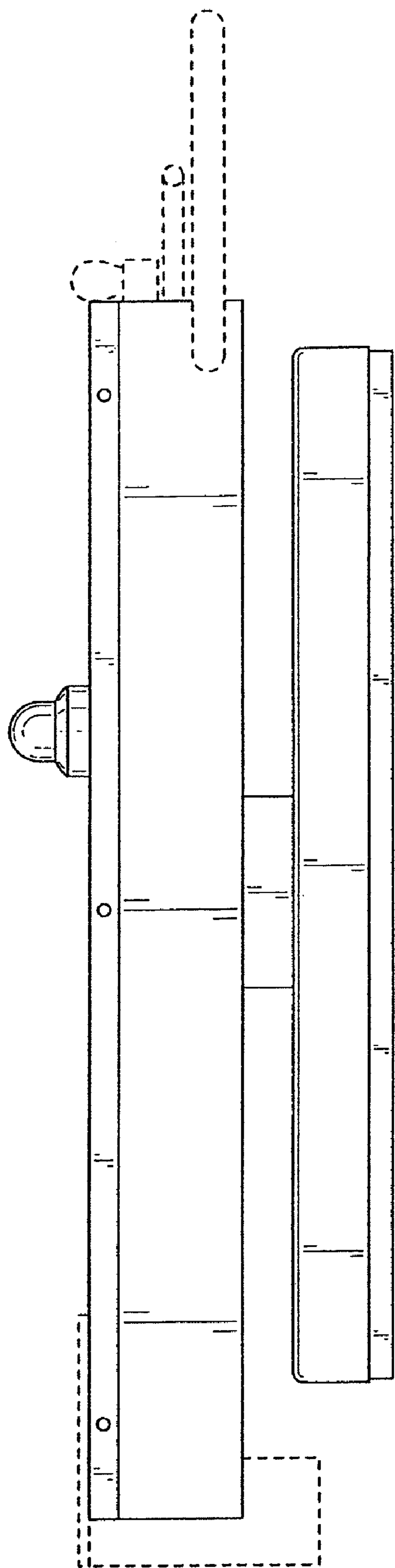


FIG. 11

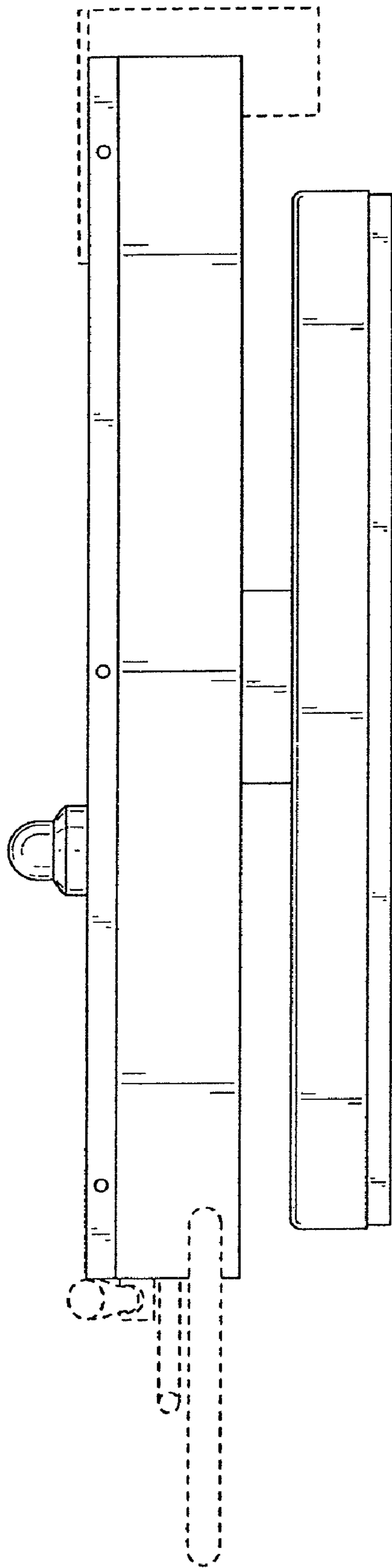


FIG. 12

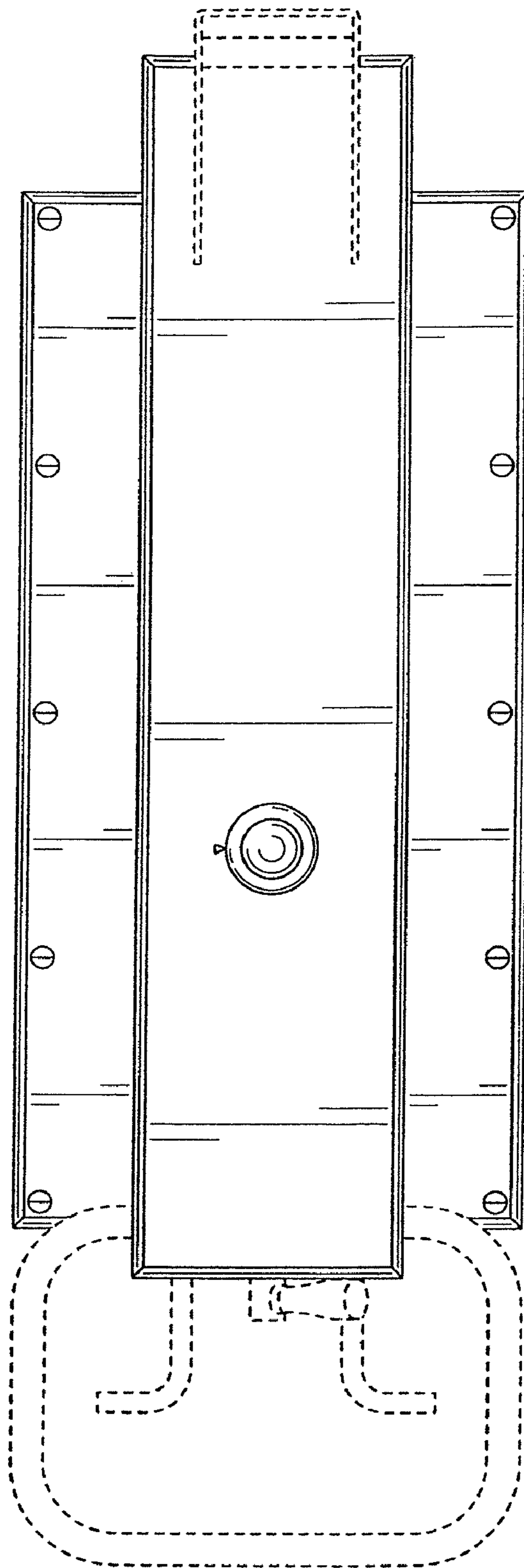


FIG. 13

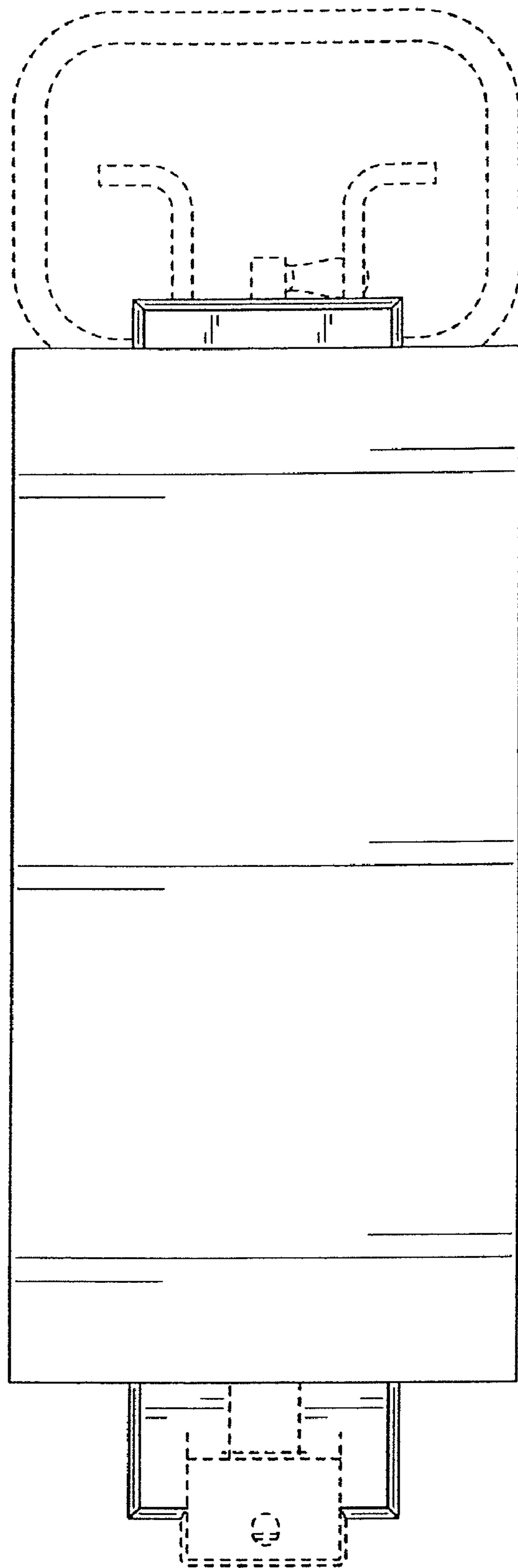


FIG. 14