



US00D598707S

(12) **United States Design Patent**
Claps

(10) **Patent No.:** **US D598,707 S**

(45) **Date of Patent:** **** Aug. 25, 2009**

(54) **FLATWARE HANDLE**

(75) Inventor: **Michael Claps**, Bloomfield, NJ (US)

(73) Assignee: **Cambridge Silversmith Ltd., Inc.**,
Fairfield, NJ (US)

(**) Term: **14 Years**

(21) Appl. No.: **29/323,843**

(22) Filed: **Sep. 2, 2008**

(51) **LOC (9) Cl.** **07-03**

(52) **U.S. Cl.** **D7/401.2; D7/653**

(58) **Field of Classification Search** D7/368,
D7/395, 401.2, 642-646, 649-653, 660-664,
D7/669, 675-676, 683, 688-692, 695-696;
30/137, 141-143, 147-150, 322-327, 329,
30/340, 342-346; 416/70 R

See application file for complete search history.

(56) **References Cited**

U.S. PATENT DOCUMENTS

- D225,896 S * 1/1973 Manderfield D7/662
- D334,511 S * 4/1993 Gebhardt D7/662
- D490,283 S * 5/2004 Ito D7/662
- D544,315 S * 6/2007 Shane-Schuldt D7/653
- D553,906 S * 10/2007 Wellner D7/401.2
- D554,445 S * 11/2007 Richmond D7/653
- D554,942 S * 11/2007 Wellner D7/401.2
- D555,433 S * 11/2007 Koennecke D7/664

- D558,000 S * 12/2007 Ito D7/662
- D569,198 S * 5/2008 Ito D7/662
- D584,574 S * 1/2009 Claps D7/653

* cited by examiner

Primary Examiner—Caron Veynar

Assistant Examiner—Ricky Pham

(74) *Attorney, Agent, or Firm*—Ladas & Parry LLP

(57) **CLAIM**

The ornamental design for a flatware handle, as shown and described.

DESCRIPTION

FIG. 1 is a perspective view of flatware handle showing a first embodiment of my new design;

FIG. 2 is an elevational view thereof;

FIG. 3 is an elevational view showing a second embodiment of the design;

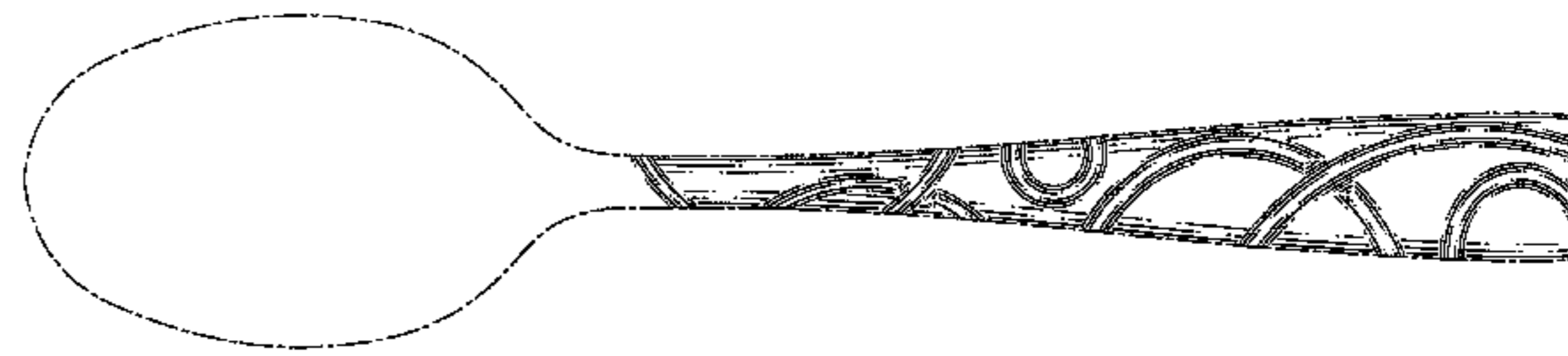
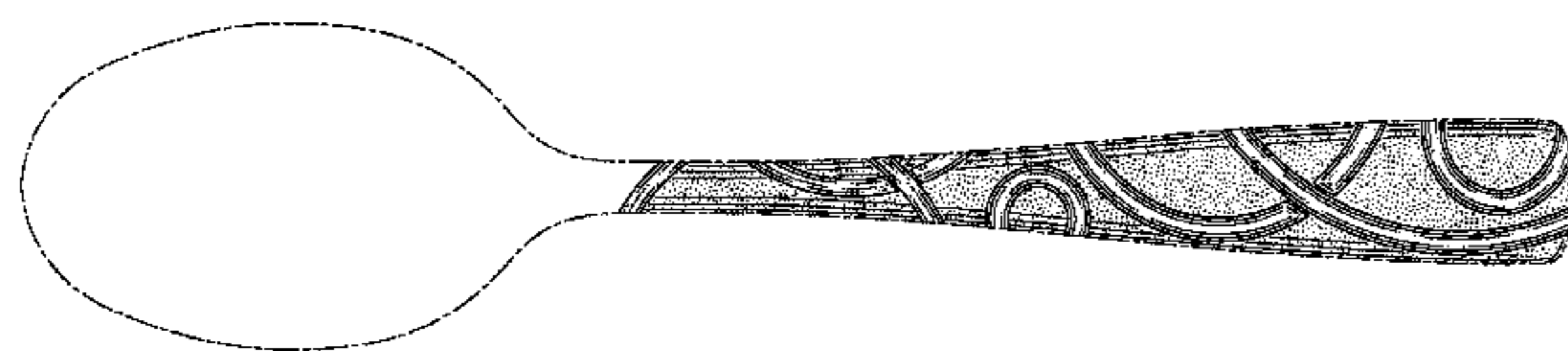
FIG. 4 is an enlarged perspective view of an illustrative portion of the first embodiment of the design;

FIG. 5 is a perspective view of the second embodiment of the design; and,

FIG. 6 is an enlarged perspective view of an illustrative portion of the second embodiment of the design.

The broken lines shown in the drawings are for illustration purposes only and form no part of the claimed design.

1 Claim, 5 Drawing Sheets



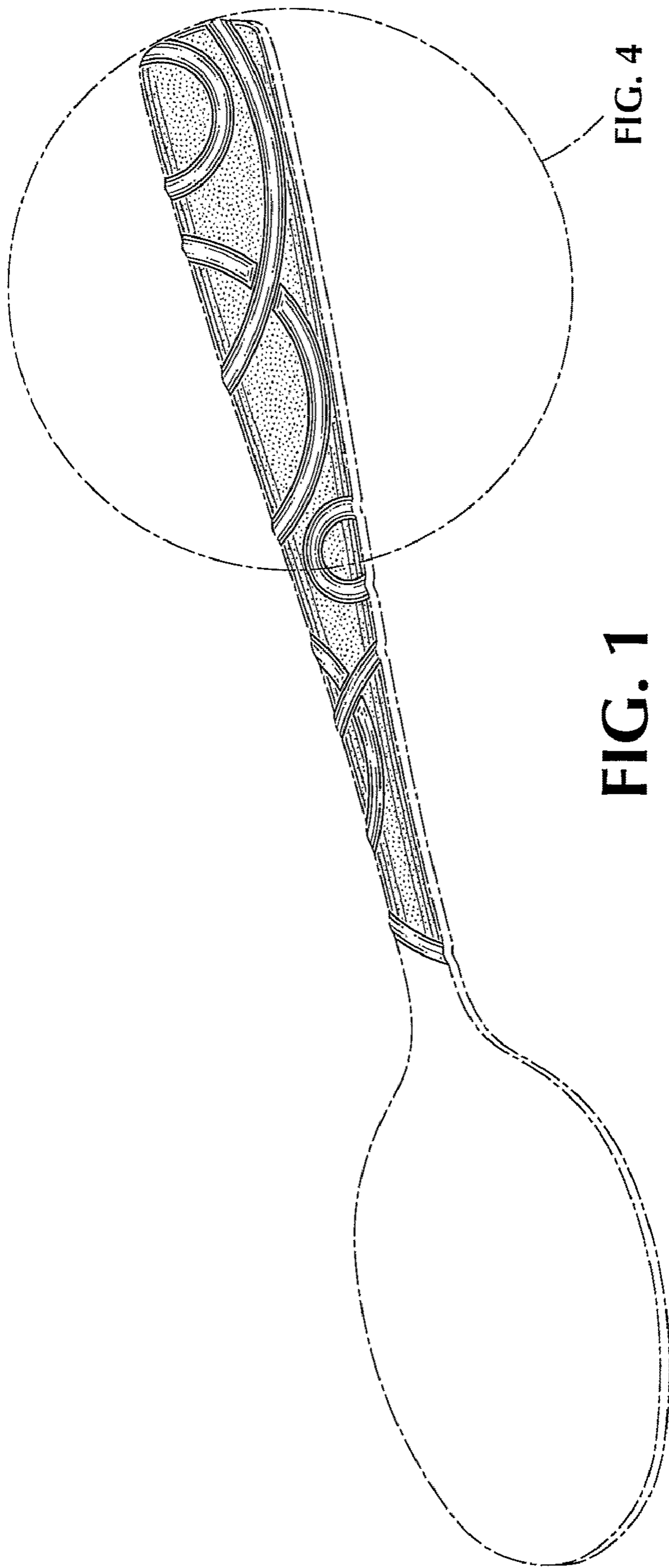


FIG. 4

FIG. 1

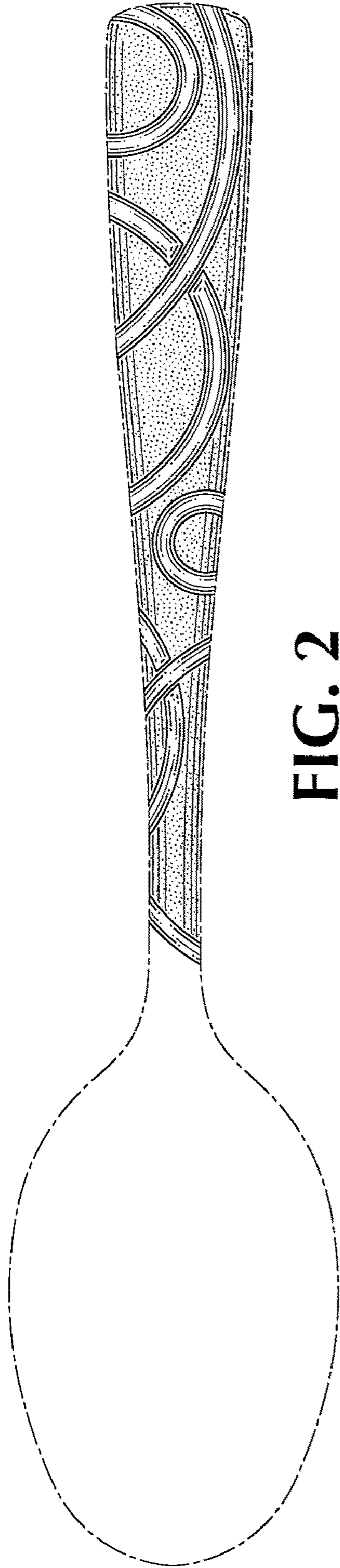


FIG. 2

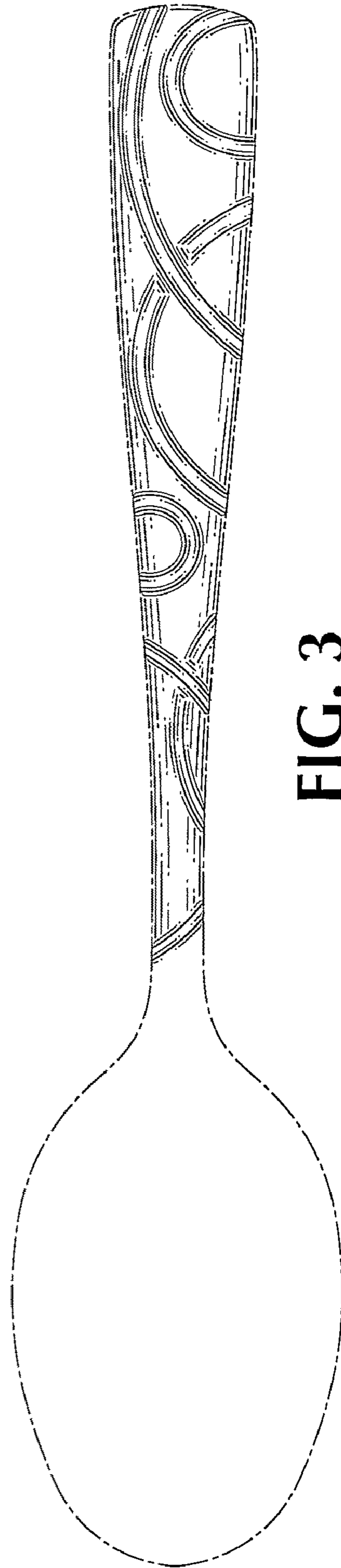
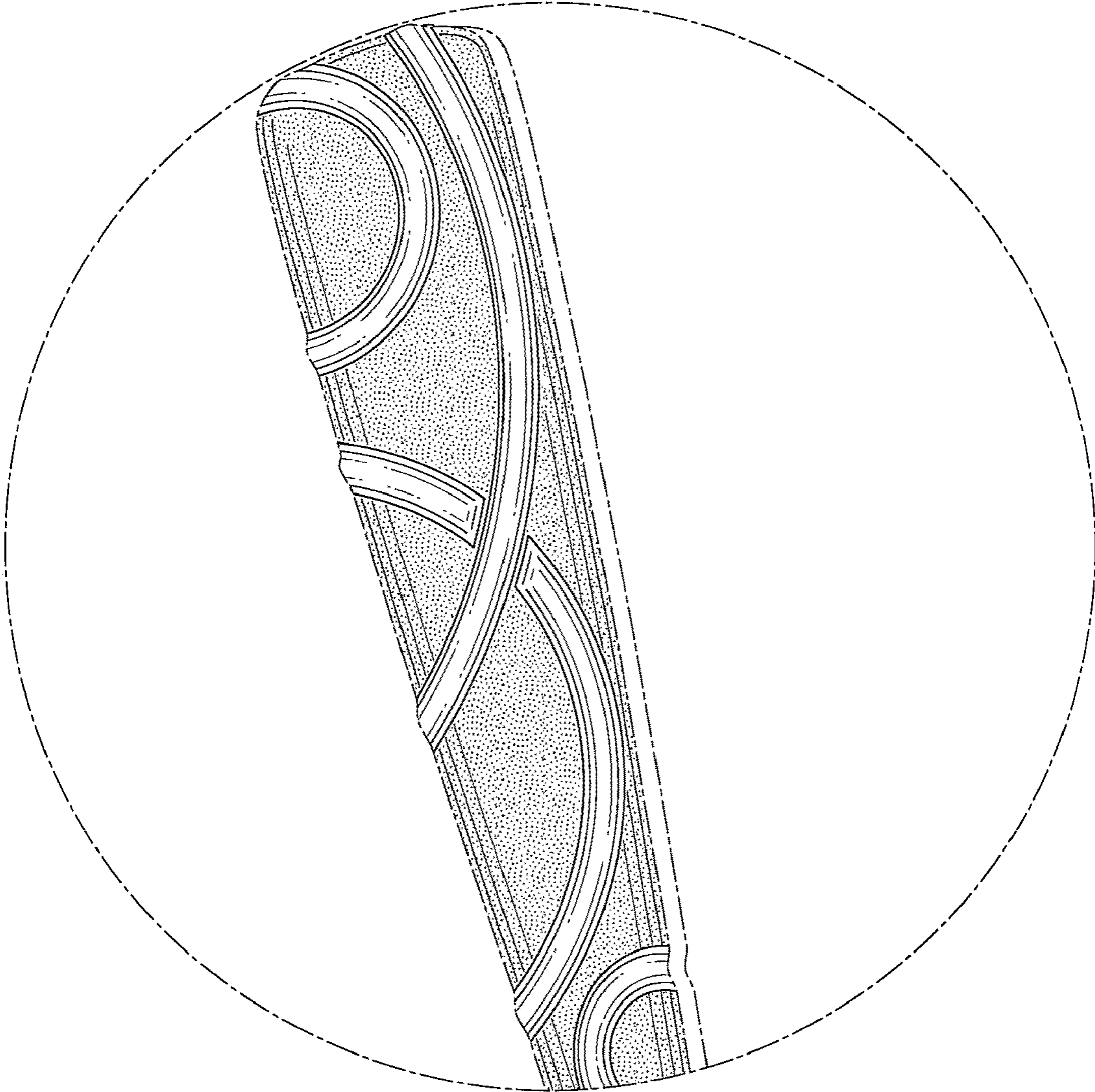


FIG. 3

FIG. 4



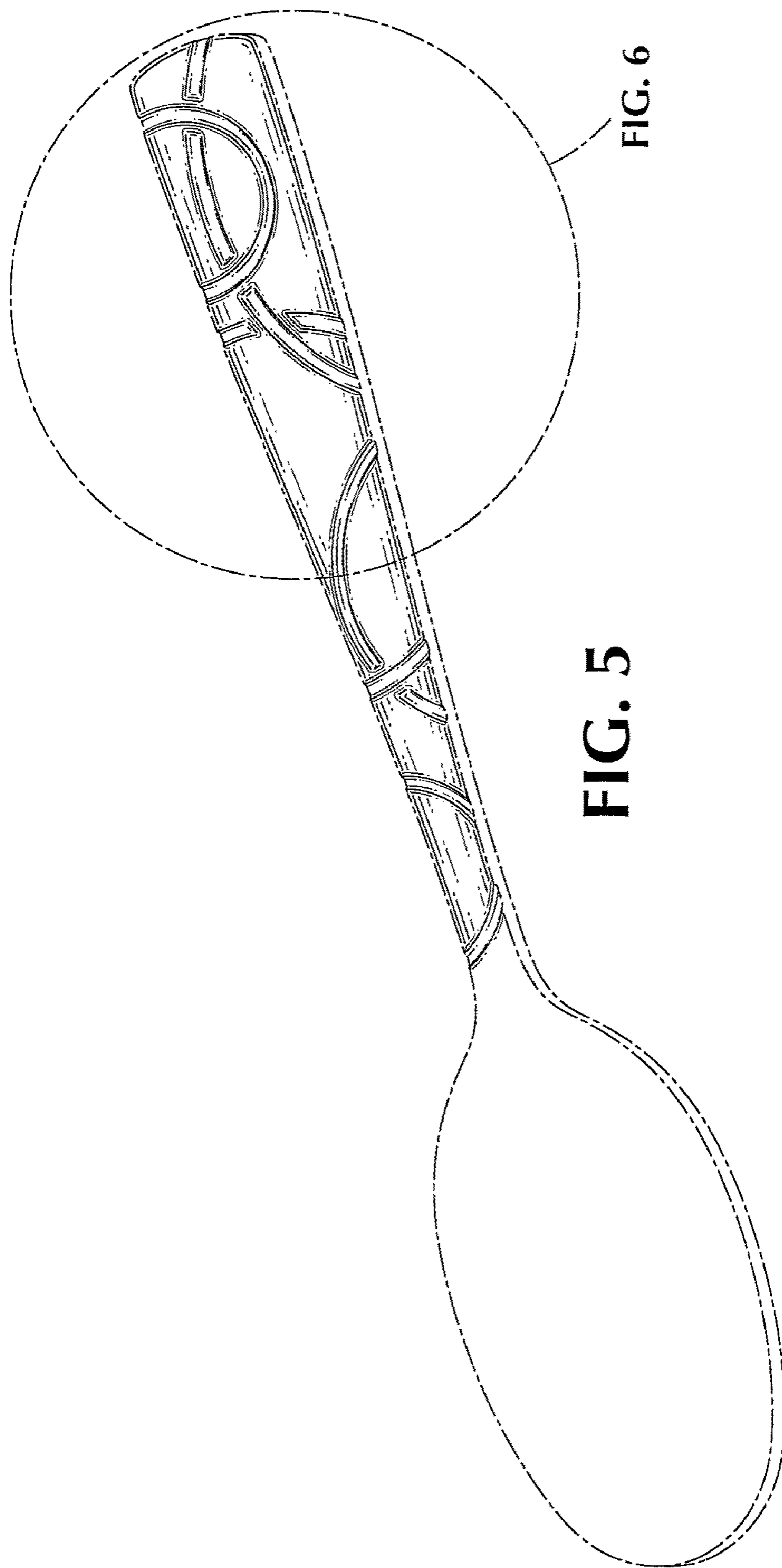


FIG. 5

FIG. 6

FIG. 6

