



US00D598706S

(12) **United States Design Patent**  
**Neace et al.**

(10) **Patent No.:** **US D598,706 S**  
(45) **Date of Patent:** **\*\* Aug. 25, 2009**

(54) **FILTER**

(76) Inventors: **Robert W. Neace**, 14300 NE. 20th Ave.,  
Suite D120, Box 105, Vancouver, WA  
(US) 98686; **Todd Maas**, 1394 Boca  
Raton Dr., Lake Oswego, OR (US)  
97034

(\*\*) Term: **14 Years**

(21) Appl. No.: **29/303,606**

(22) Filed: **Feb. 12, 2008**

(51) **LOC (9) Cl.** ..... **07-01**

(52) **U.S. Cl.** ..... **D7/400; D7/399**

(58) **Field of Classification Search** ..... D7/399,  
D7/397, 387, 647, 667, 619.1, 523, 509, 532,  
D7/400; D23/209; 100/113, 116, 213; 210/464,  
210/467, 466, 468, 469, 470, 472-478, 499,  
210/800, 497.01, 497.3, 348, 232; 220/676,  
220/62, 675, DIG. 1; 99/501-513, 495, 403,  
99/426; D34/1; D6/476, 468; D9/455, 502,  
D9/500, 428; 229/400

See application file for complete search history.

(56) **References Cited**

**U.S. PATENT DOCUMENTS**

3,411,431	A	11/1968	Moerlini	
4,075,105	A	2/1978	Steiner	
4,080,299	A	3/1978	Bartolome	
D266,894	S *	11/1982	Bersten	..... D7/400
5,125,327	A	6/1992	Winnington-Ingram	
D330,992	S	11/1992	Kleek	
D334,874	S *	4/1993	Mealey et al.	..... D7/667
D339,028	S *	9/1993	Bannigan	..... D7/400

D349,211	S	8/1994	Cerato	
D360,106	S	7/1995	Sintchak	
6,167,921	B1 *	1/2001	Busick et al.	..... 141/18
D448,974	S *	10/2001	Hydak et al.	..... D7/397
6,305,817	B1 *	10/2001	Johnston et al.	..... 362/154
D474,110	S *	5/2003	Sweeney	..... D9/428
D524,599	S	7/2006	Bodum	
D529,340	S *	10/2006	Laib et al.	..... D7/523
D553,441	S *	10/2007	Mirpuri	..... D7/523
D567,021	S *	4/2008	Bach et al.	..... D7/400
D568,097	S	5/2008	Thuliez	
D573,060	S *	7/2008	White	..... D11/152
D580,233	S *	11/2008	Camarota et al.	..... D7/619.1
D581,958	S *	12/2008	Morozov	..... D15/139
D584,925	S *	1/2009	Buchman et al.	..... D7/602
2006/0230944	A1	10/2006	Neace, Jr.	
2007/0175335	A1 *	8/2007	Liverani et al.	..... 99/279
2008/0110941	A1 *	5/2008	Foster et al.	..... 222/507

\* cited by examiner

*Primary Examiner*—Robert M Spear  
*Assistant Examiner*—Cynthia Underwood

(57) **CLAIM**

The ornamental design for a filter, as shown.

**DESCRIPTION**

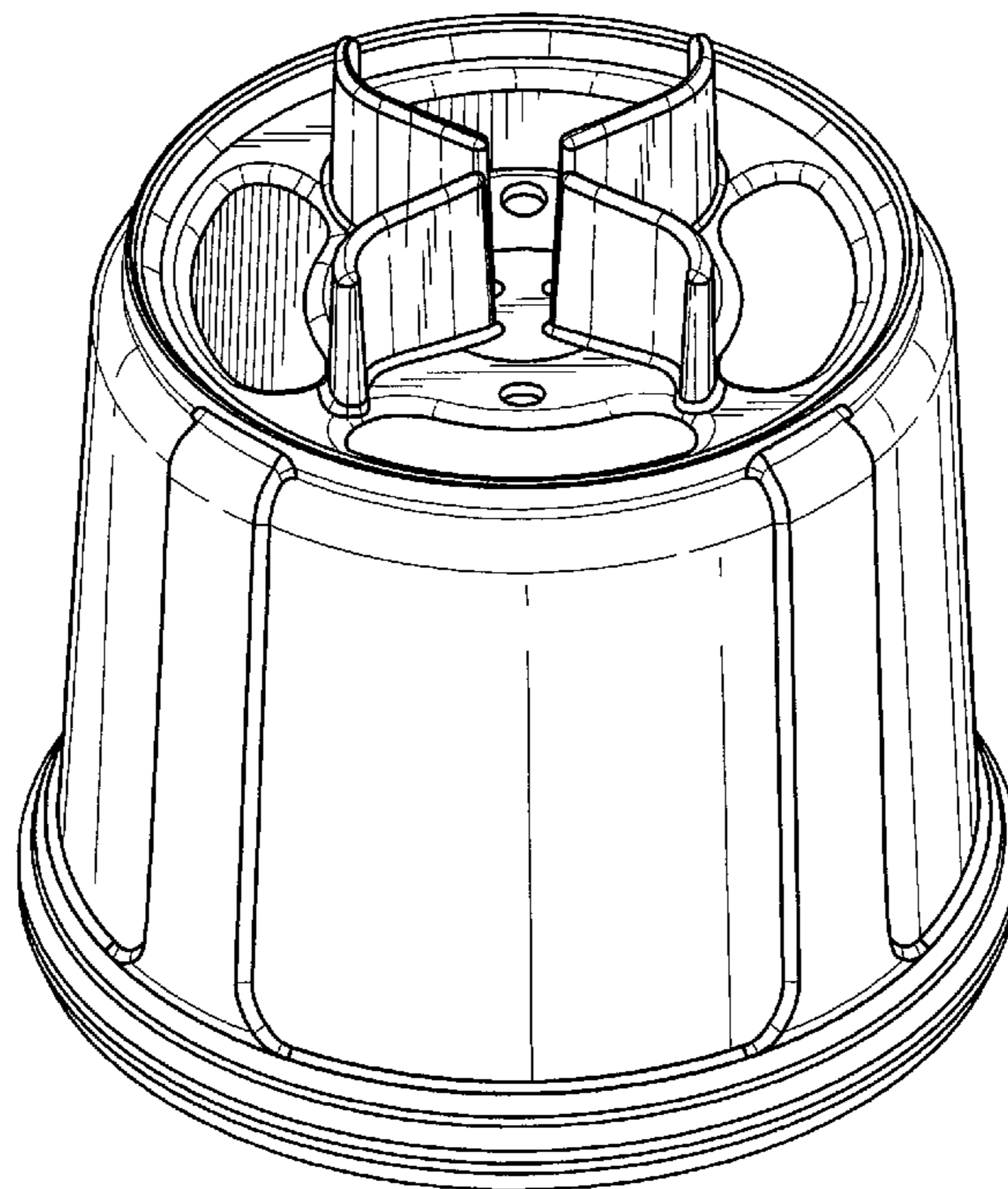
FIG. 1 is a perspective three-dimensional view of the inverted filter showing our new design.

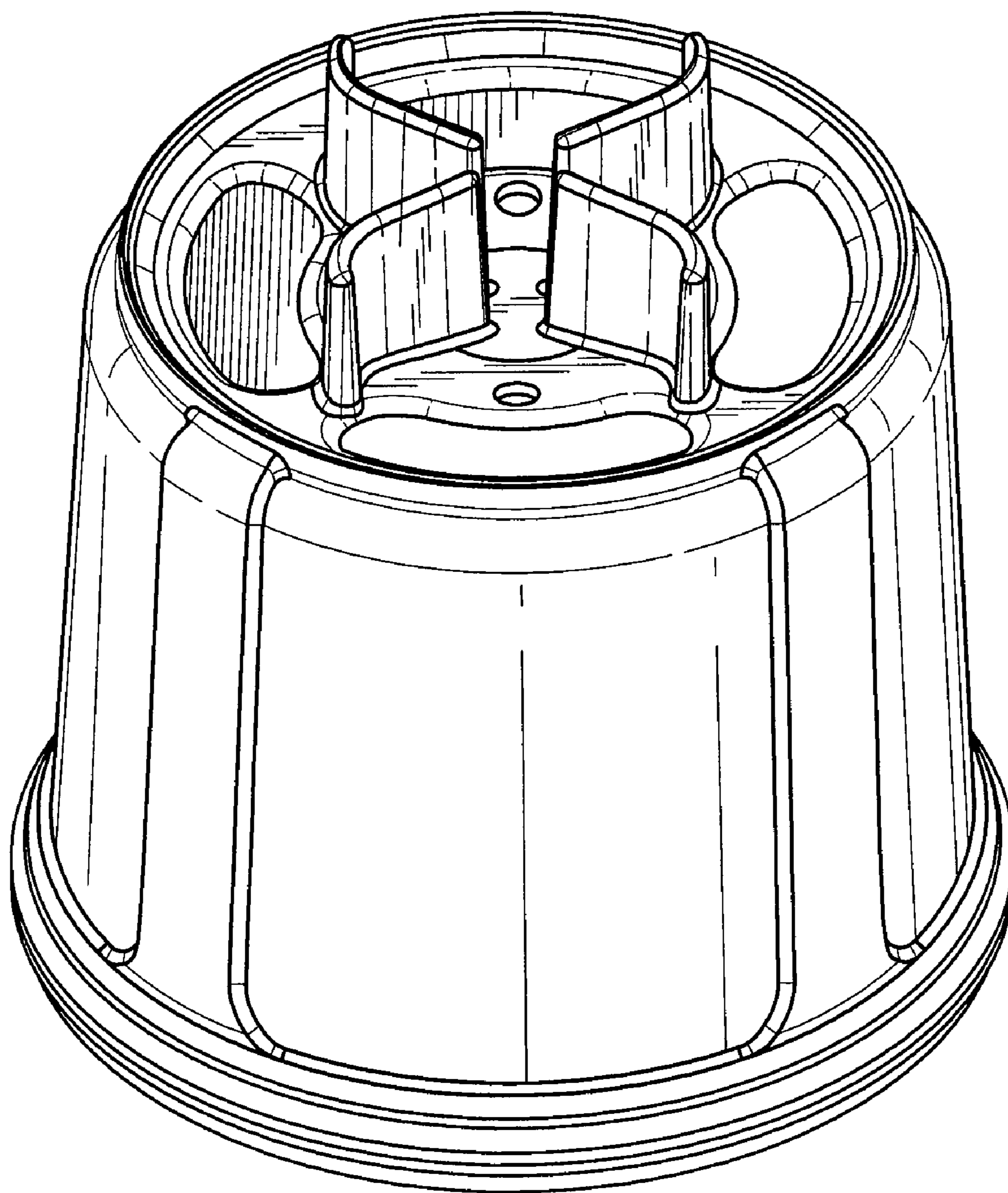
FIG. 2 is a perspective three-dimensional view of the filter shown in an upright orientation.

FIG. 3 is a top view of the filter; and,

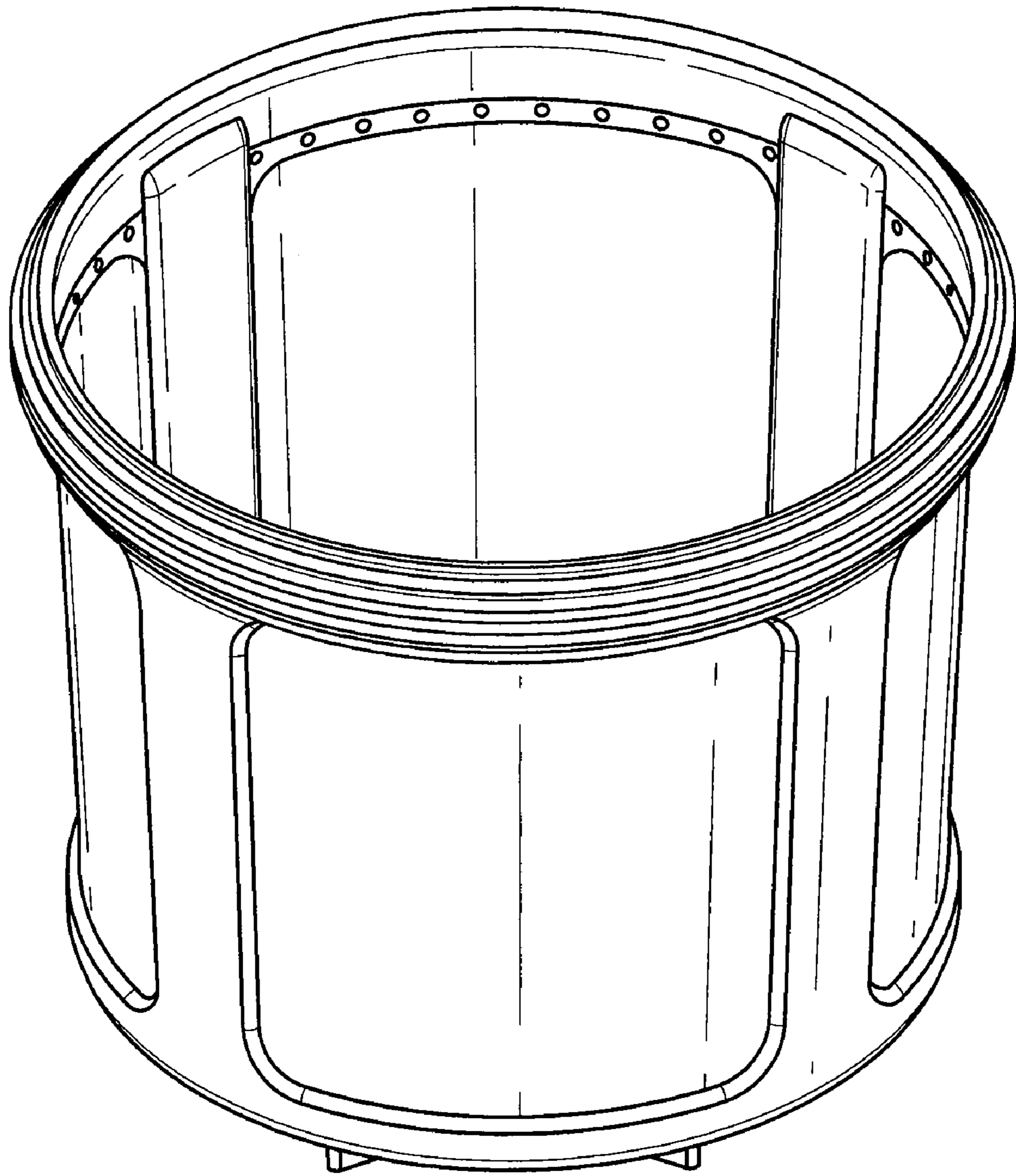
FIG. 4 is a side view of the filter.

**1 Claim, 4 Drawing Sheets**

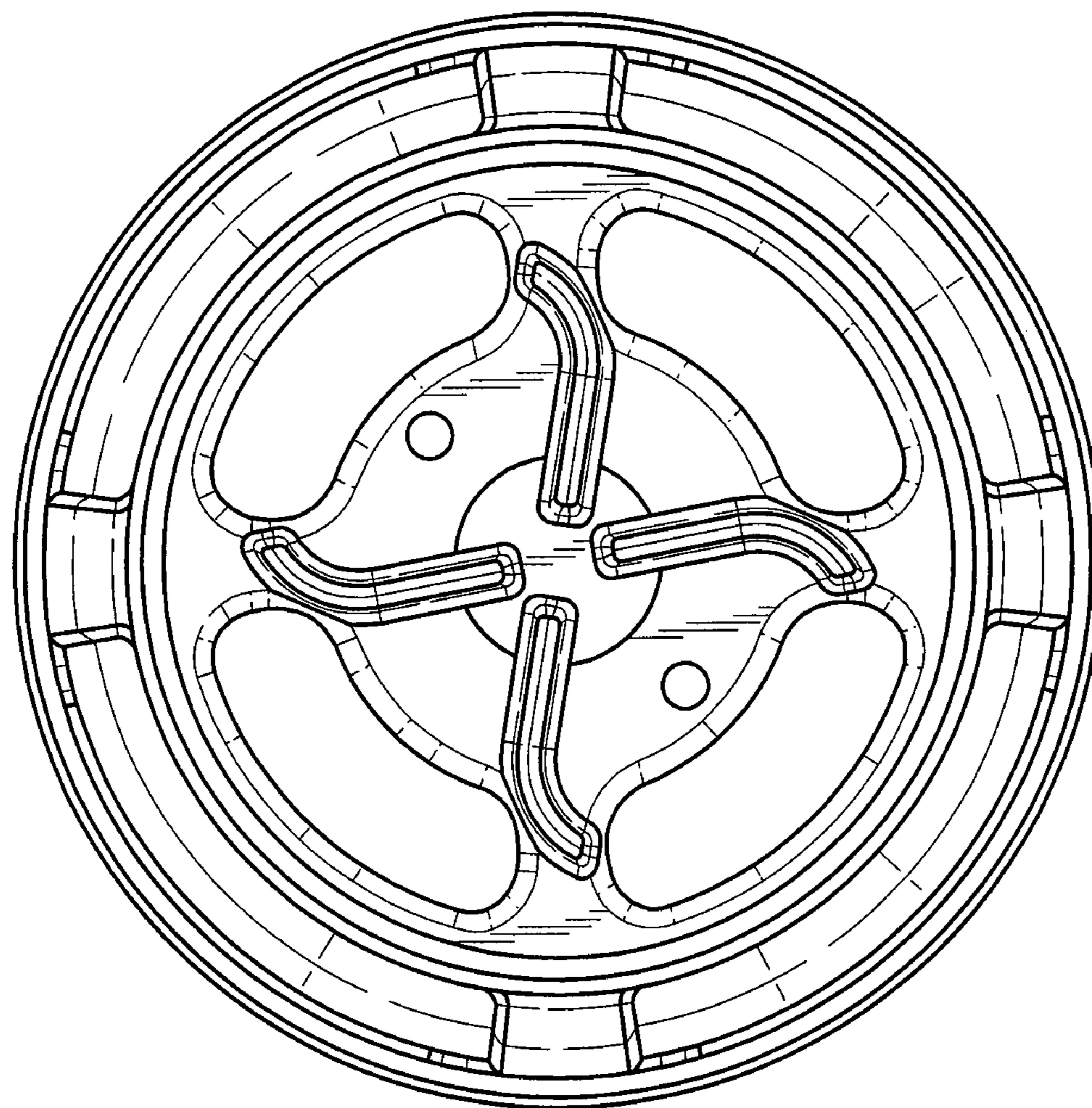




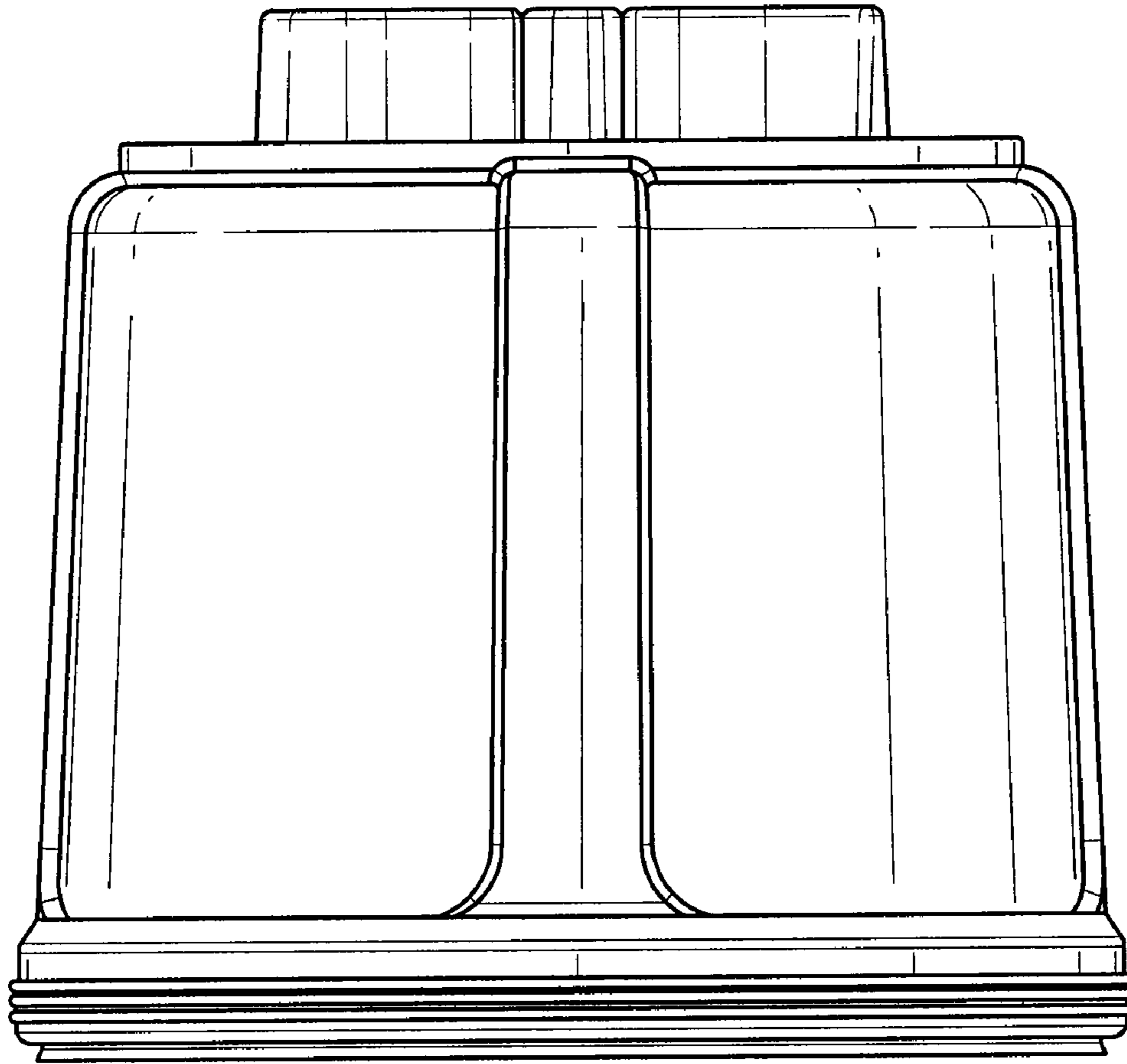
**FIG. 1**



**FIG. 2**



**FIG. 3**



**FIG. 4**