



US00D598704S

(12) **United States Design Patent**  
**Tetreault et al.**

(10) **Patent No.:** **US D598,704 S**  
(45) **Date of Patent:** **\*\* Aug. 25, 2009**

(54) **GRIPPING PORTION OF A COOKWARE HANDLE**

(75) Inventors: **Joel Tetreault**, Roswell, GA (US); **Lars Blacken**, Roswell, GA (US)

(73) Assignee: **Calphalon Corporation**, Atlanta, GA (US)

(\*\*) Term: **14 Years**

(21) Appl. No.: **29/330,498**

(22) Filed: **Jan. 8, 2009**

**Related U.S. Application Data**

(63) Continuation-in-part of application No. 29/327,325, filed on Nov. 4, 2008, and a continuation-in-part of application No. 29/327,328, filed on Nov. 4, 2008.

(51) **LOC (9) Cl.** ..... **07-02**

(52) **U.S. Cl.** ..... **D7/395**

(58) **Field of Classification Search** ..... D7/354-361, D7/393-395; D8/107, 307, 300; D4/138, D4/129; 16/430, 431, 110.1, 407; 220/573.1-573.5, 220/752, 753, 755, 756, 759, 771, 912  
See application file for complete search history.

(56) **References Cited**

**U.S. PATENT DOCUMENTS**

D482,567 S \* 11/2003 Demers ..... D7/395  
(Continued)

*Primary Examiner*—Holly H Baynham

*Assistant Examiner*—Cynthia M Chin

(74) *Attorney, Agent, or Firm*—Gardner Groff Greenwald & Villanueva, P.C.

(57) **CLAIM**

The ornamental design for a gripping portion of a cookware handle, as shown and described.

**DESCRIPTION**

FIG. 1 is a perspective view of a gripping portion of a cookware handle according to an exemplary embodiment of the present invention and shown attached to a portion of a pot.

FIG. 2 is a side view of the gripping portion of the cookware handle of FIG. 1, the opposite side view being a mirror image thereof.

FIG. 3 is a front view of the gripping portion of the cookware handle of FIG. 1.

FIG. 4 is a rear view of the gripping portion of the cookware handle of FIG. 1.

FIG. 5 is a top view of the gripping portion of the cookware handle of FIG. 1.

FIG. 6 is a bottom view of the gripping portion of the cookware handle of FIG. 1.

FIG. 7 is a perspective view of a gripping portion of a cookware handle according to another exemplary embodiment of the present invention and shown attached to a portion of a pot.

FIG. 8 is a side view of the gripping portion of the cookware handle of FIG. 7, the opposite side view being a mirror image thereof.

FIG. 9 is a front view of the gripping portion of the cookware handle of FIG. 7.

FIG. 10 is a rear view of the gripping portion of the cookware handle of FIG. 7.

FIG. 11 is a top view of the gripping portion of the cookware handle of FIG. 7.

FIG. 12 is a bottom view of the gripping portion of the cookware handle of FIG. 7.

FIG. 13 is a perspective view of a gripping portion of a cookware handle according to another exemplary embodiment of the present invention and shown attached to a portion of a pot.

FIG. 14 is a side view of the gripping portion of the cookware handle of FIG. 13, the opposite side view being a mirror image thereof.

FIG. 15 is a front view of the gripping portion of the cookware handle of FIG. 13.

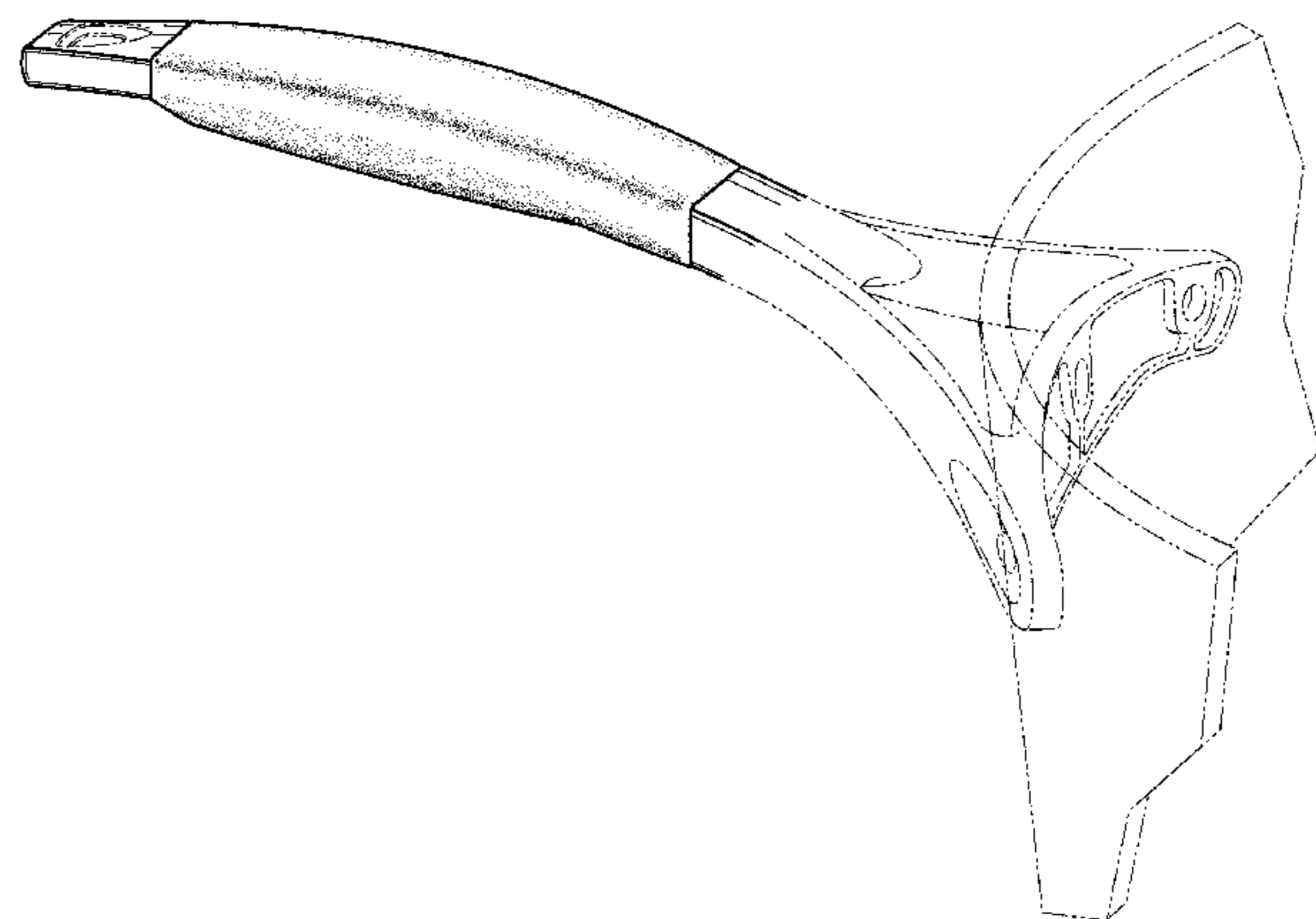
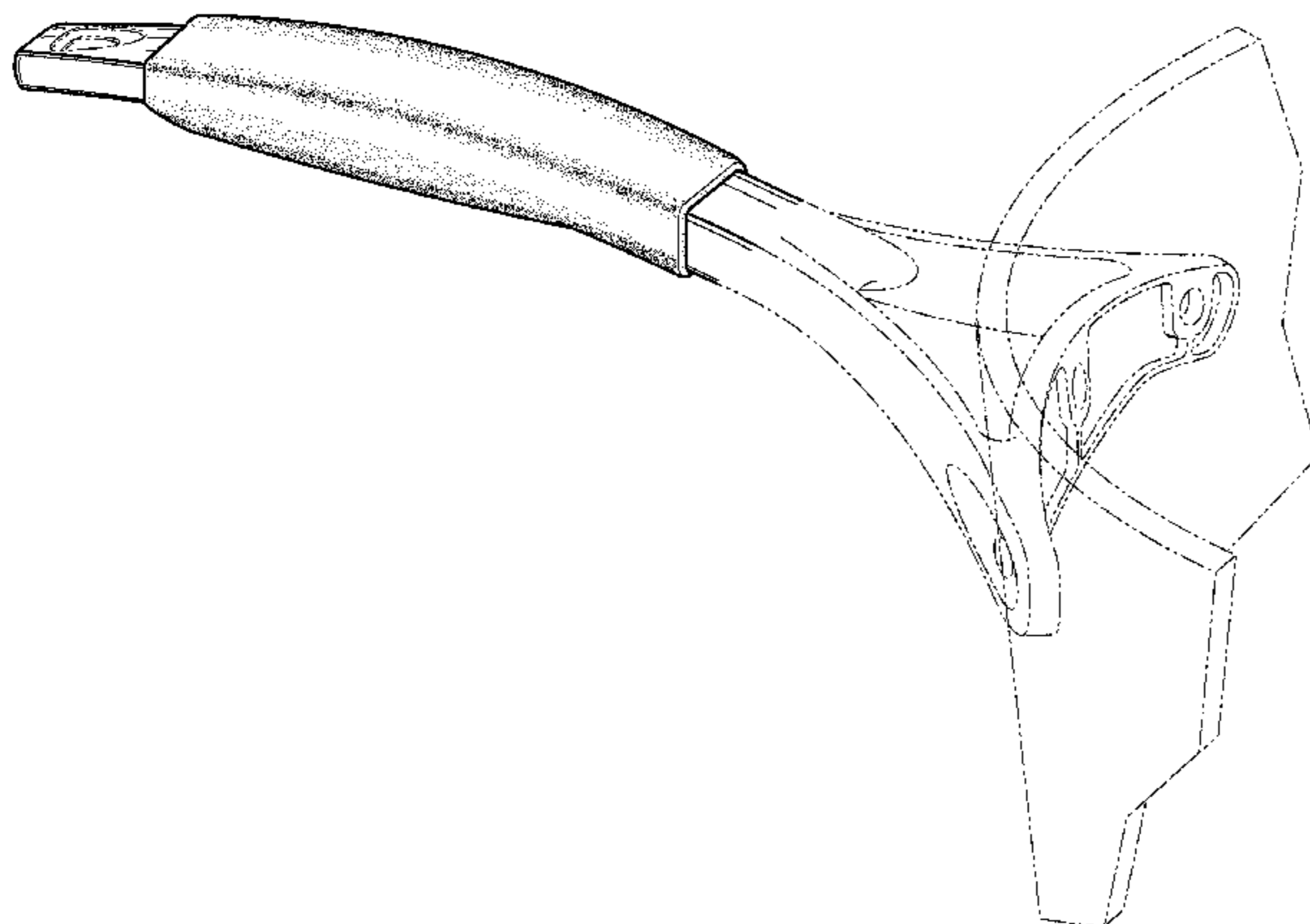
FIG. 16 is a rear view of the gripping portion of the cookware handle of FIG. 13.

FIG. 17 is a top view of the gripping portion of the cookware handle of FIG. 13; and,

FIG. 18 is a bottom view of the gripping portion of the cookware handle of FIG. 13.

The broken lines of FIGS. 1-18 are for illustrative purposes only and form no part of the claimed design.

**1 Claim, 12 Drawing Sheets**



# US D598,704 S

Page 2

---

## U.S. PATENT DOCUMENTS

D555,425 S	*	11/2007	Rae	.....	D7/395	D567,579 S	*	4/2008	Rae	.....	D7/393
D560,426 S	*	1/2008	Prakasa	.....	D7/395	D575,982 S	*	9/2008	Rae	.....	D7/393
D560,428 S	*	1/2008	Prakasa	.....	D7/395	D578,345 S	*	10/2008	Rae	.....	D7/393
D560,429 S	*	1/2008	Prakasa	.....	D7/395						

\* cited by examiner

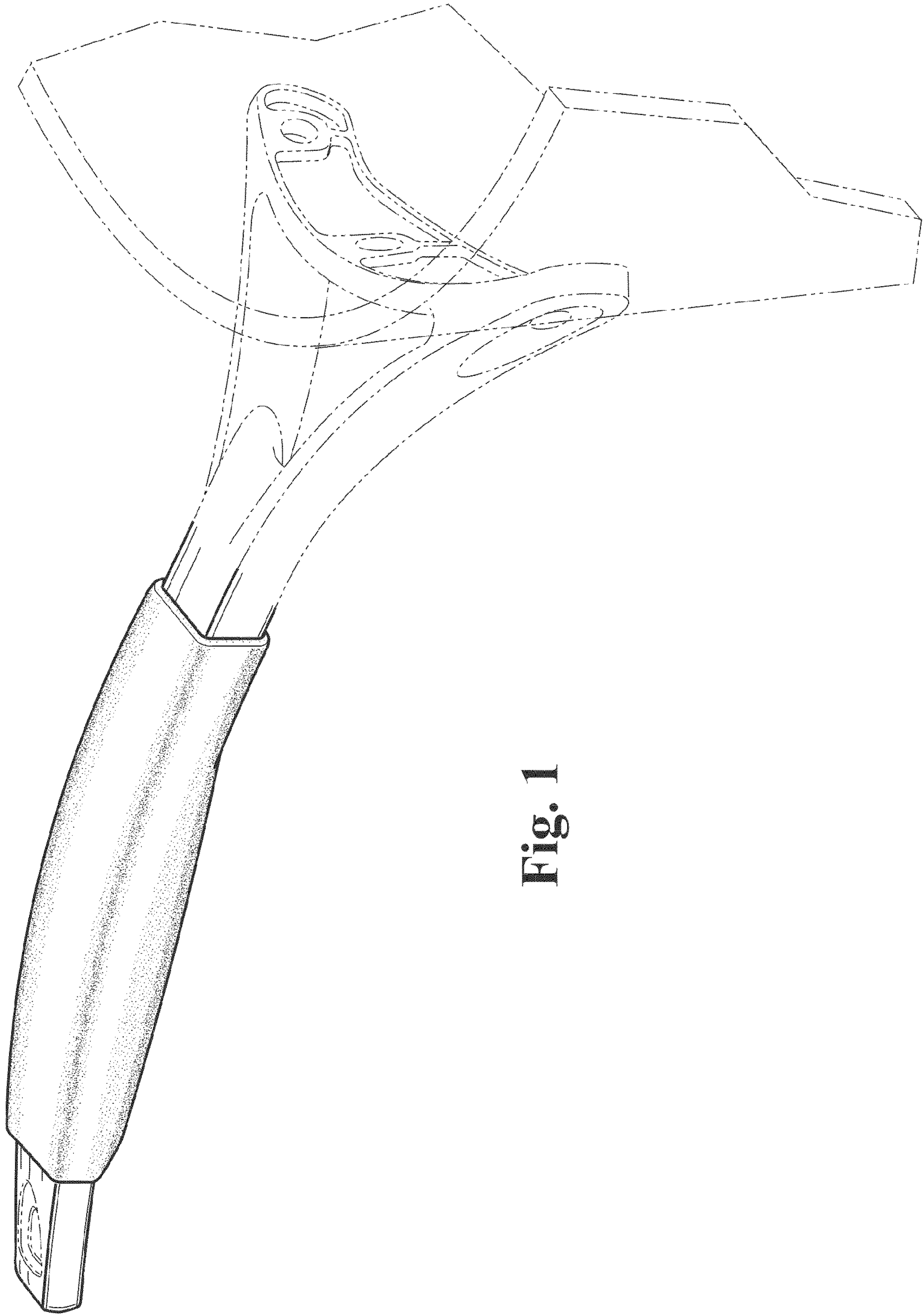


Fig. 1

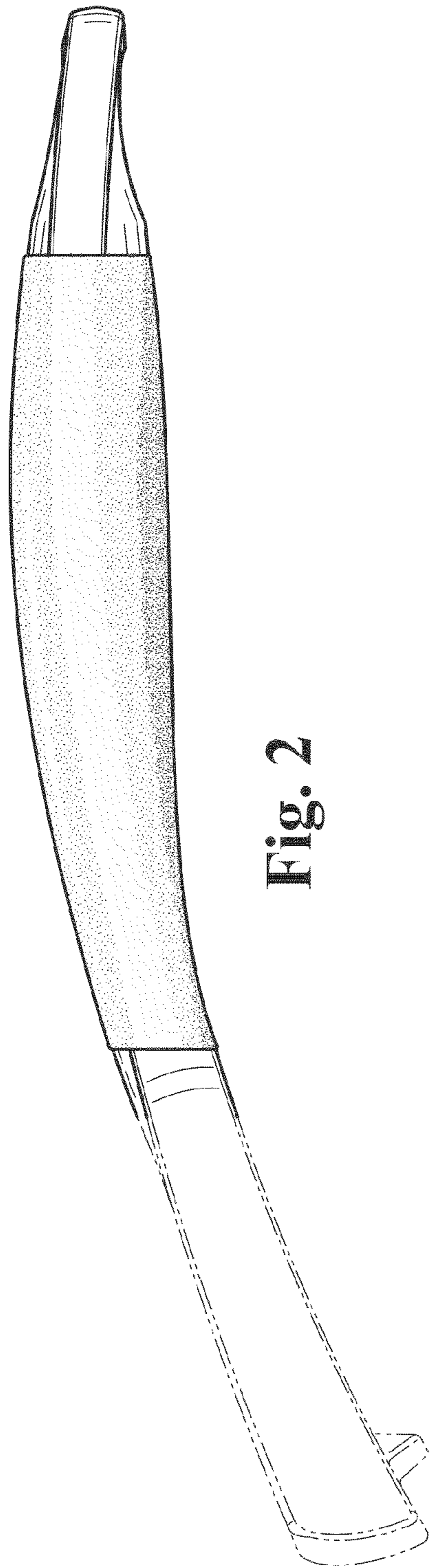


Fig. 2

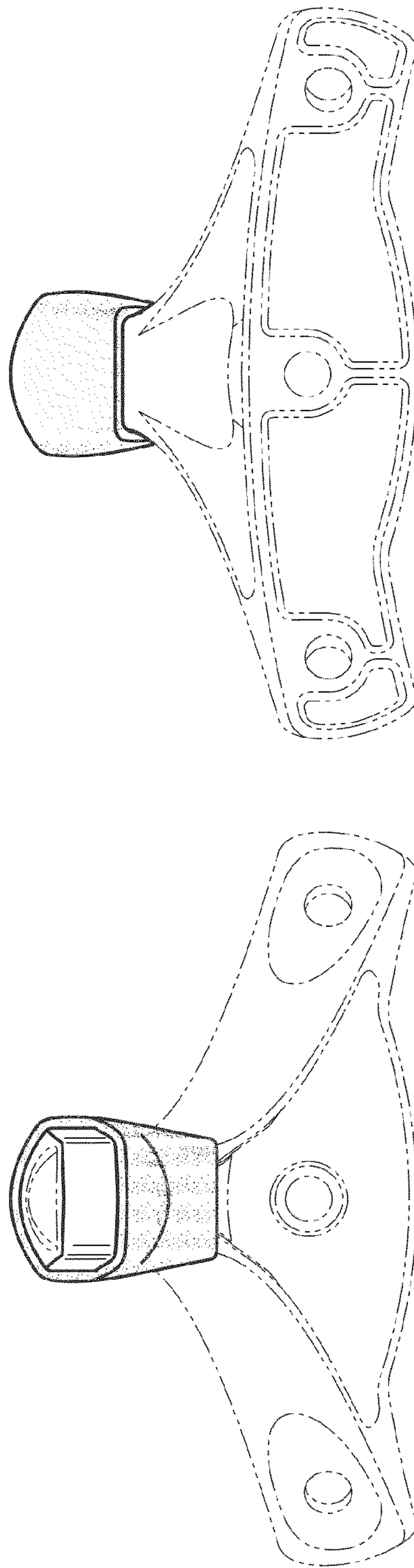


Fig. 3

Fig. 4

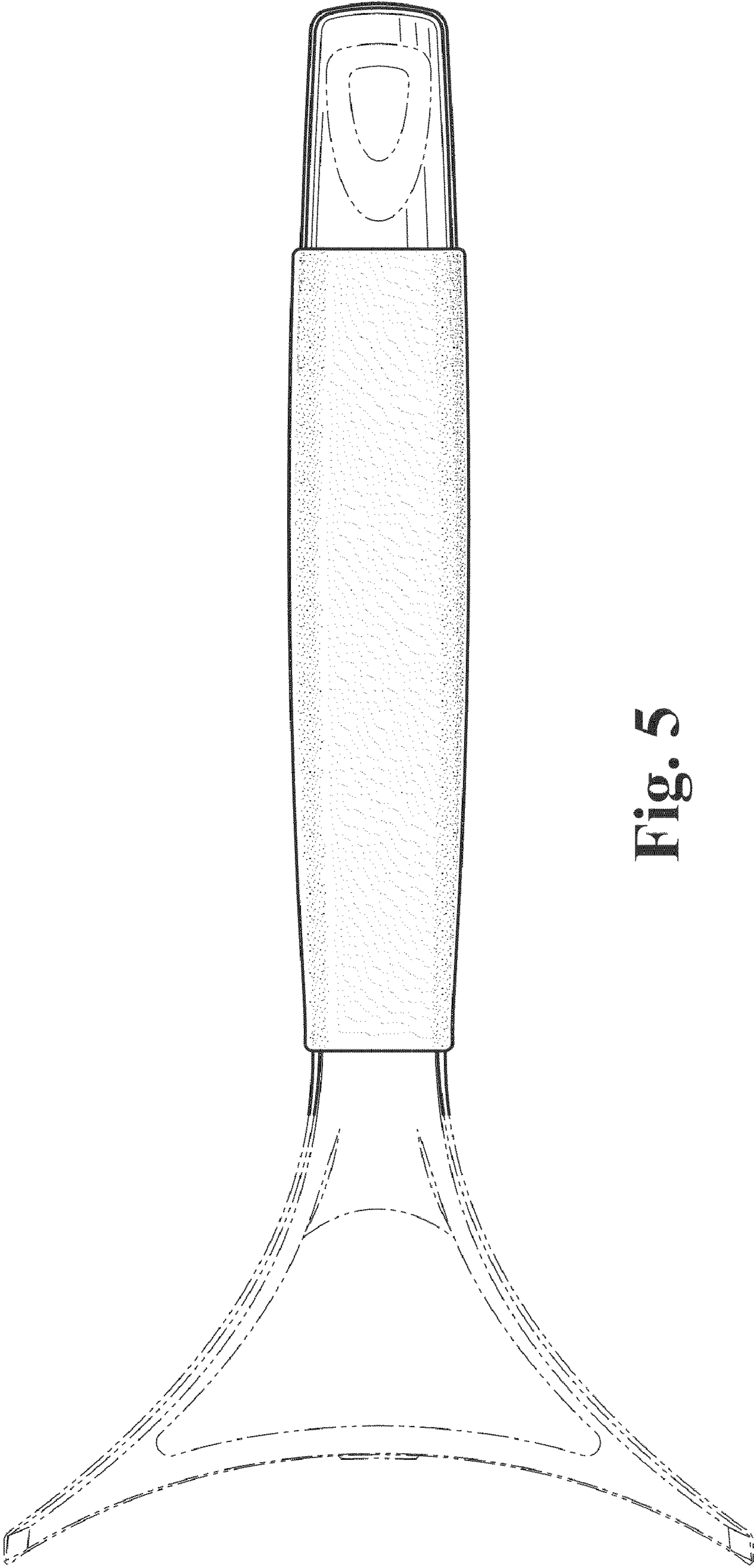


Fig. 5

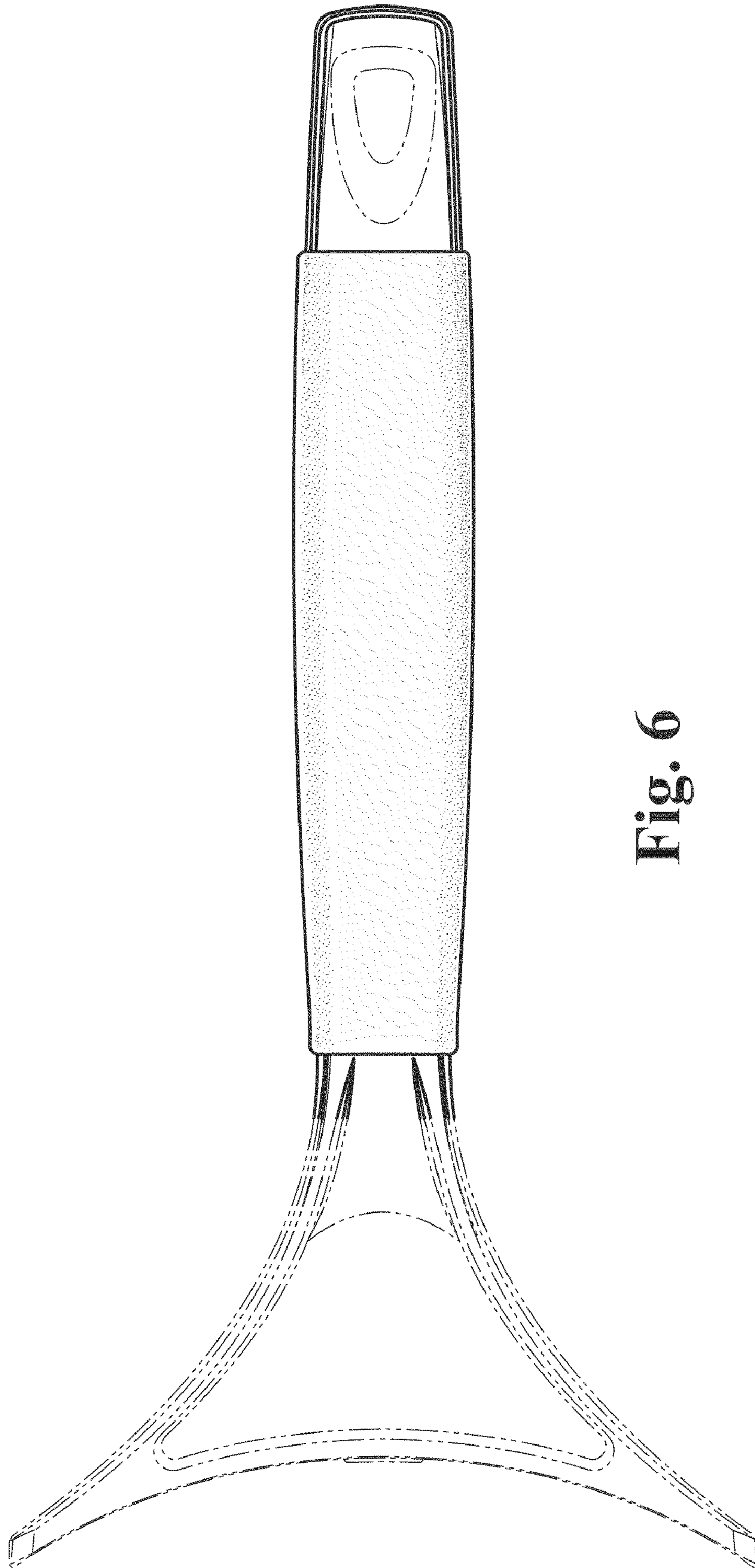


Fig. 6

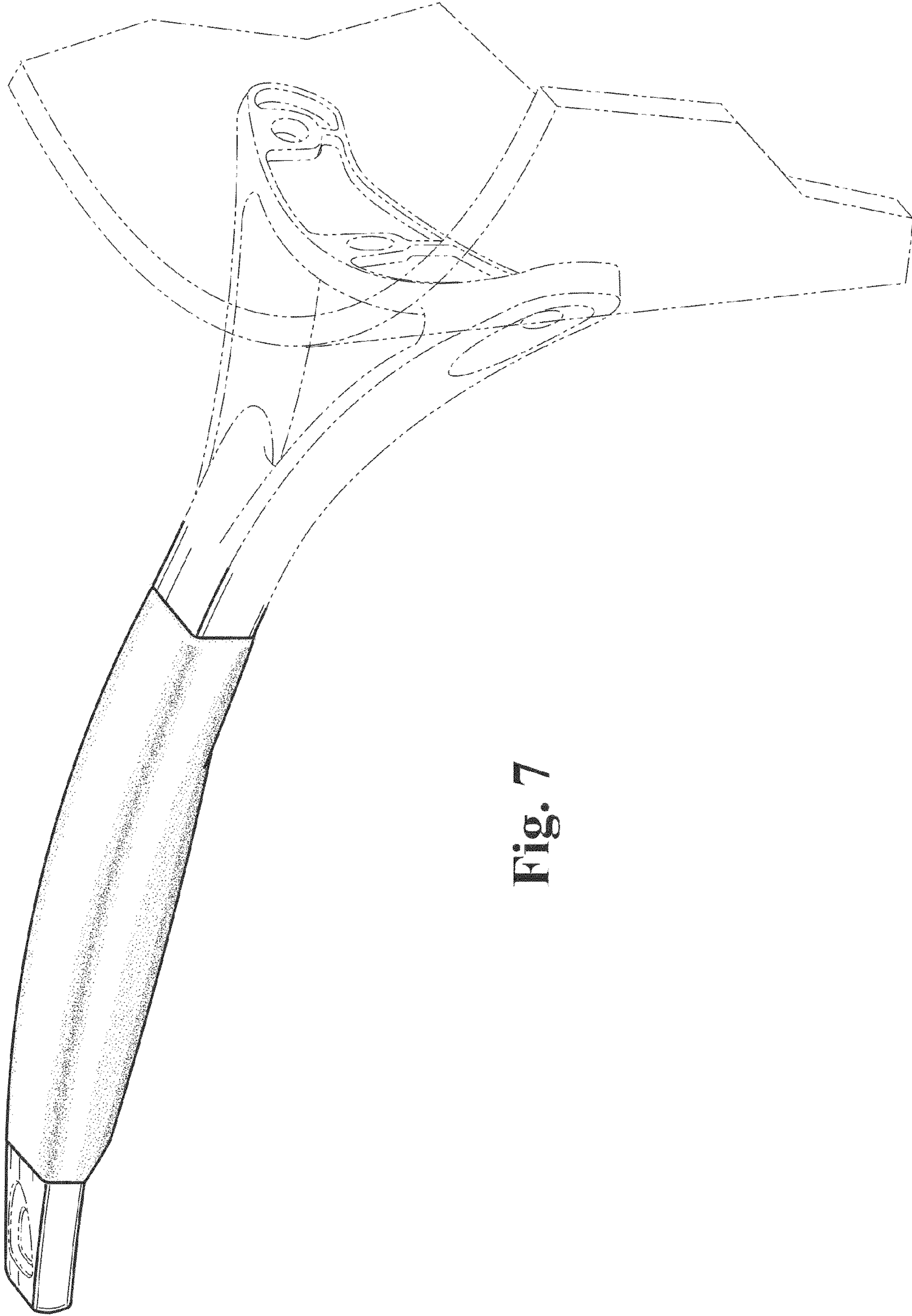


Fig. 7

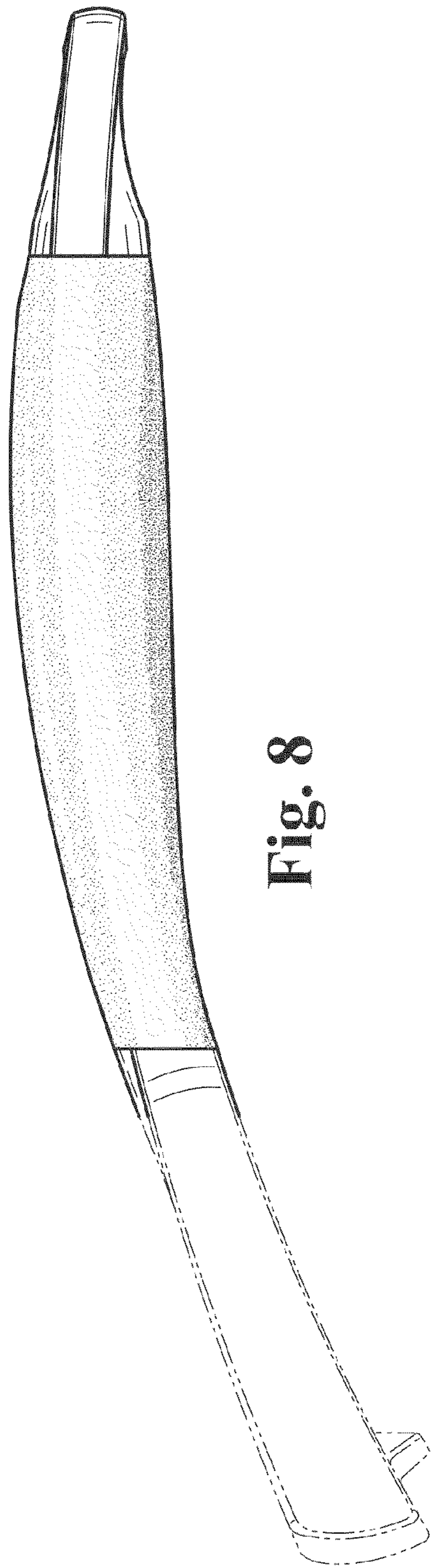


Fig. 8

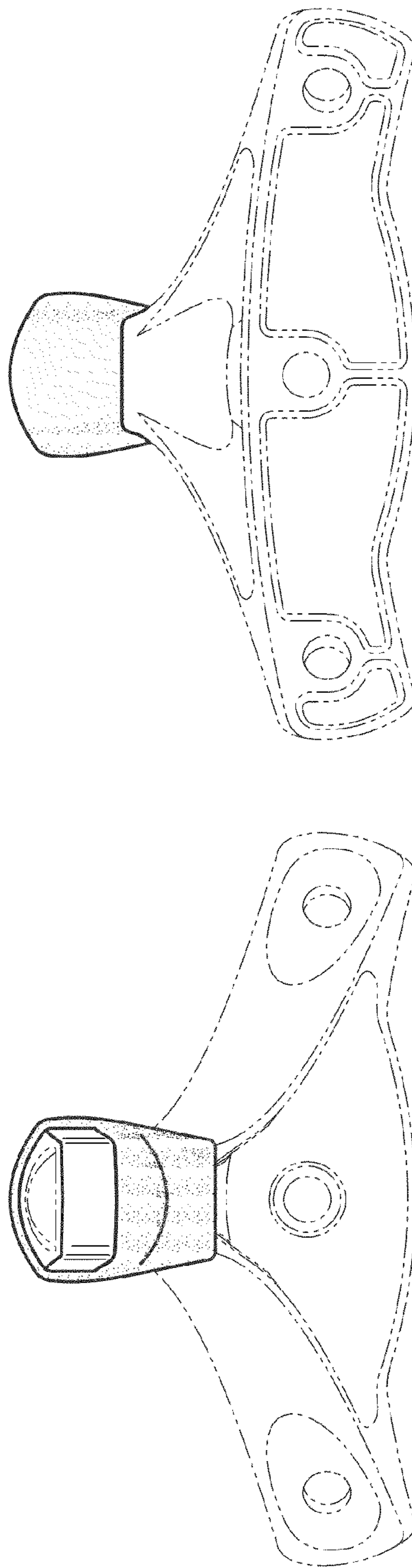


Fig. 9

Fig. 10



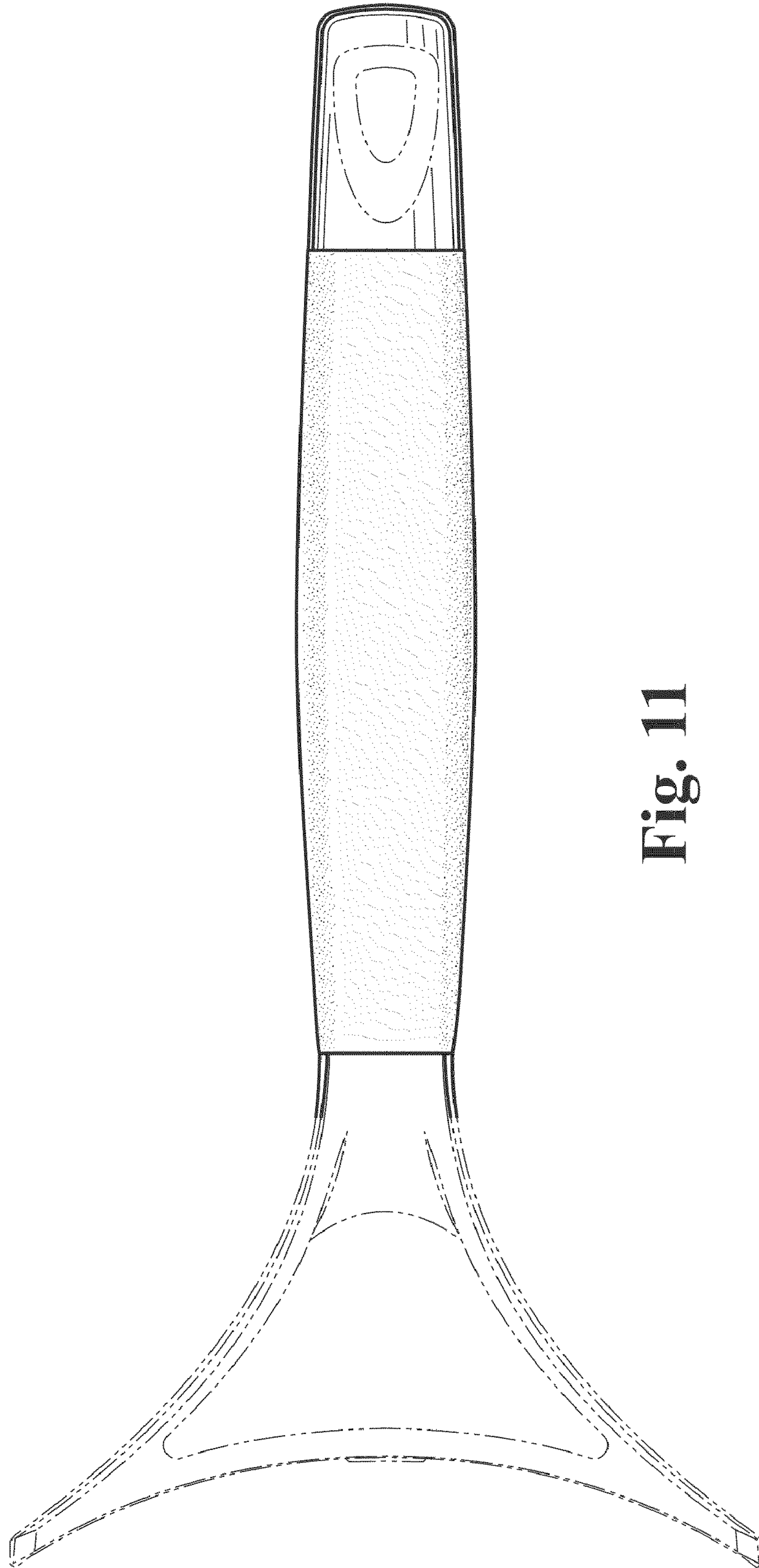
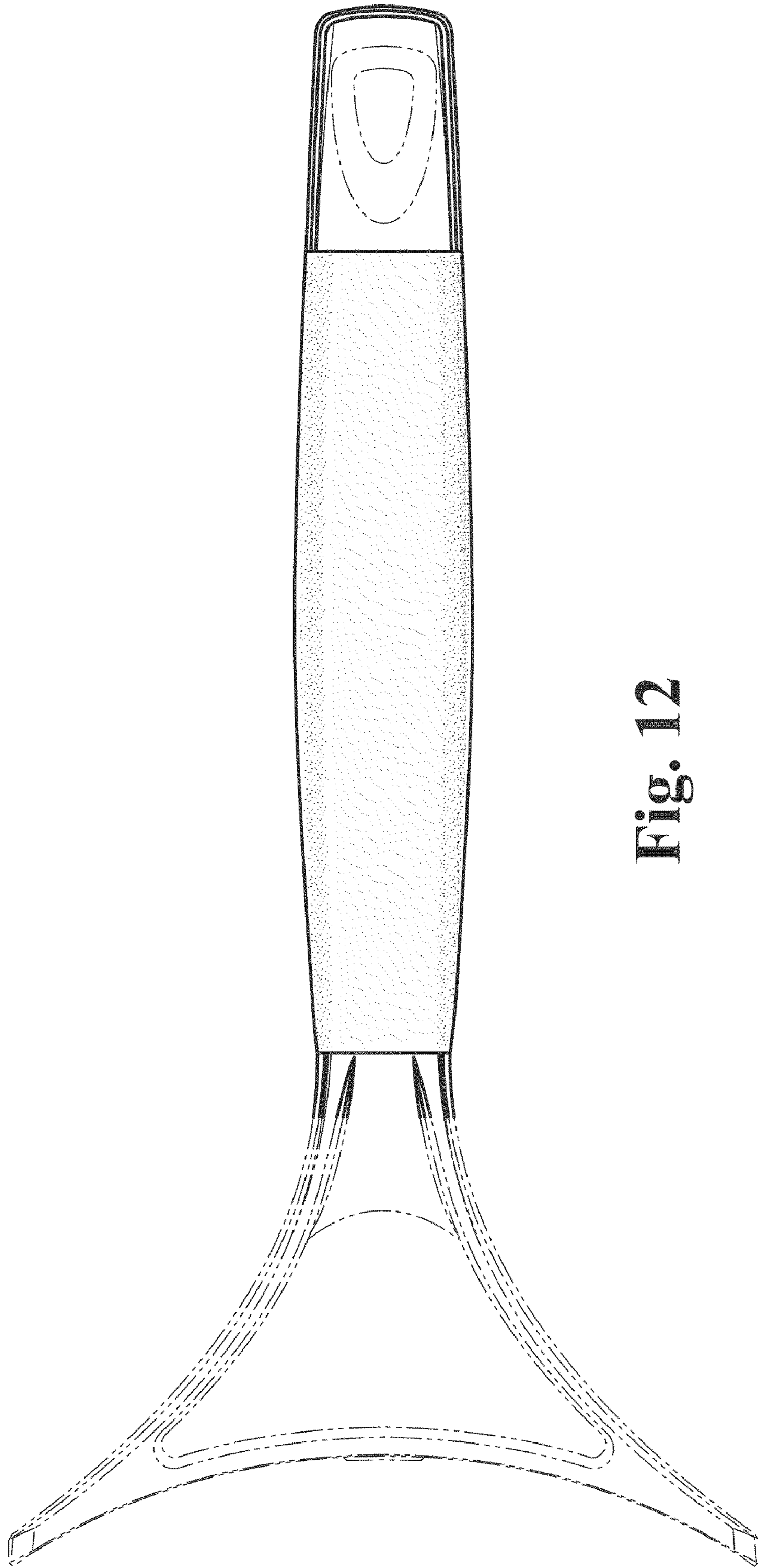


Fig. 11



**Fig. 12**

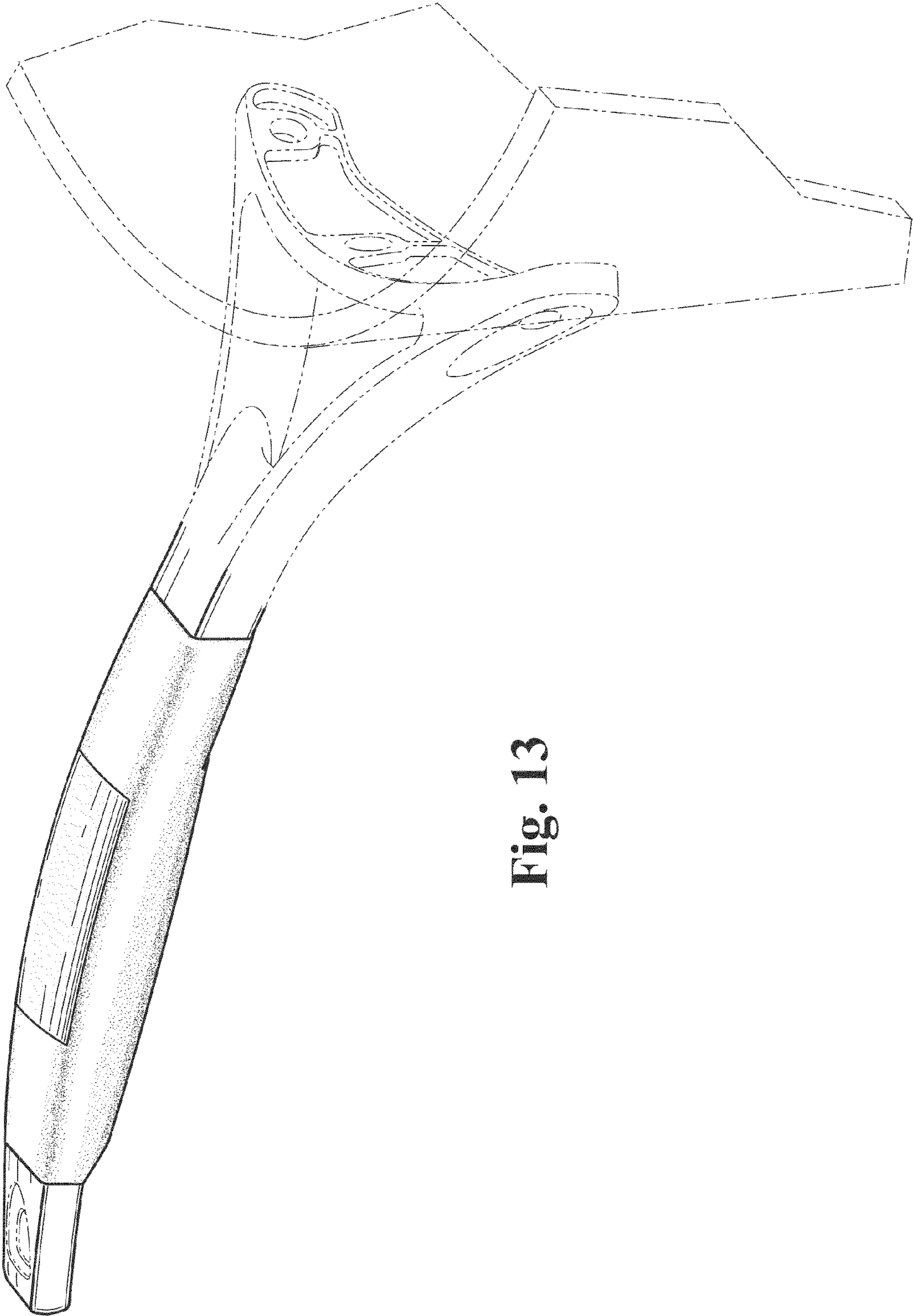
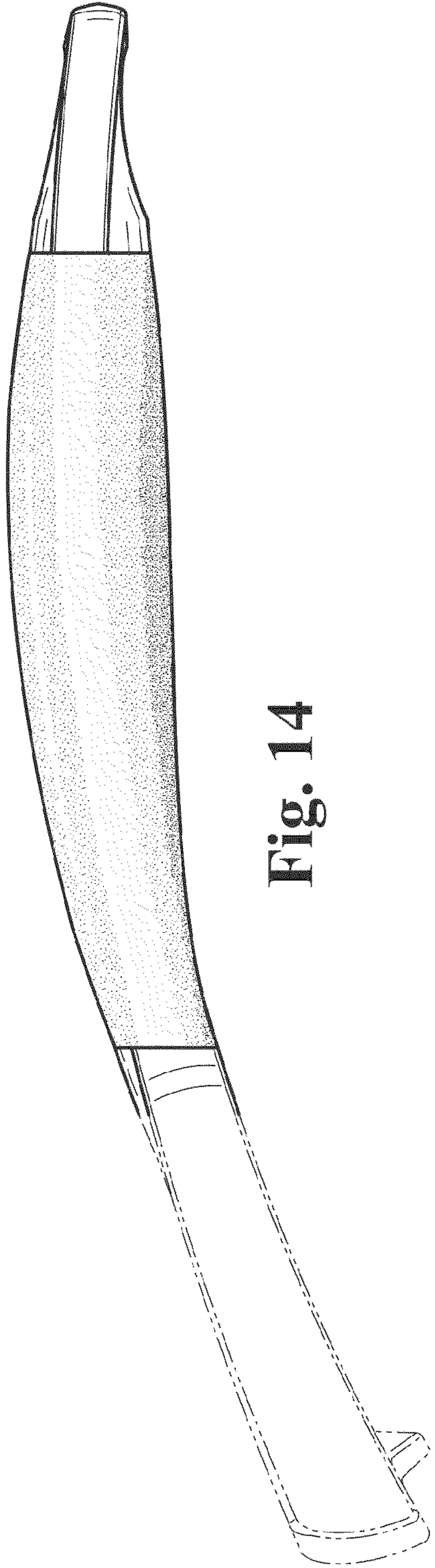
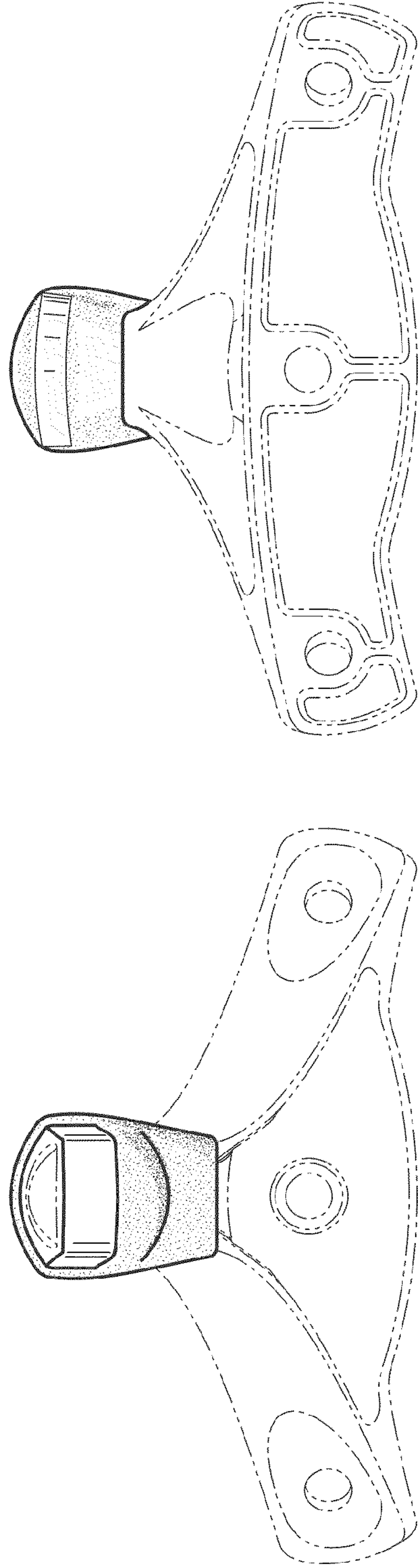


Fig. 13



**Fig. 14**



**Fig. 15**

**Fig. 16**

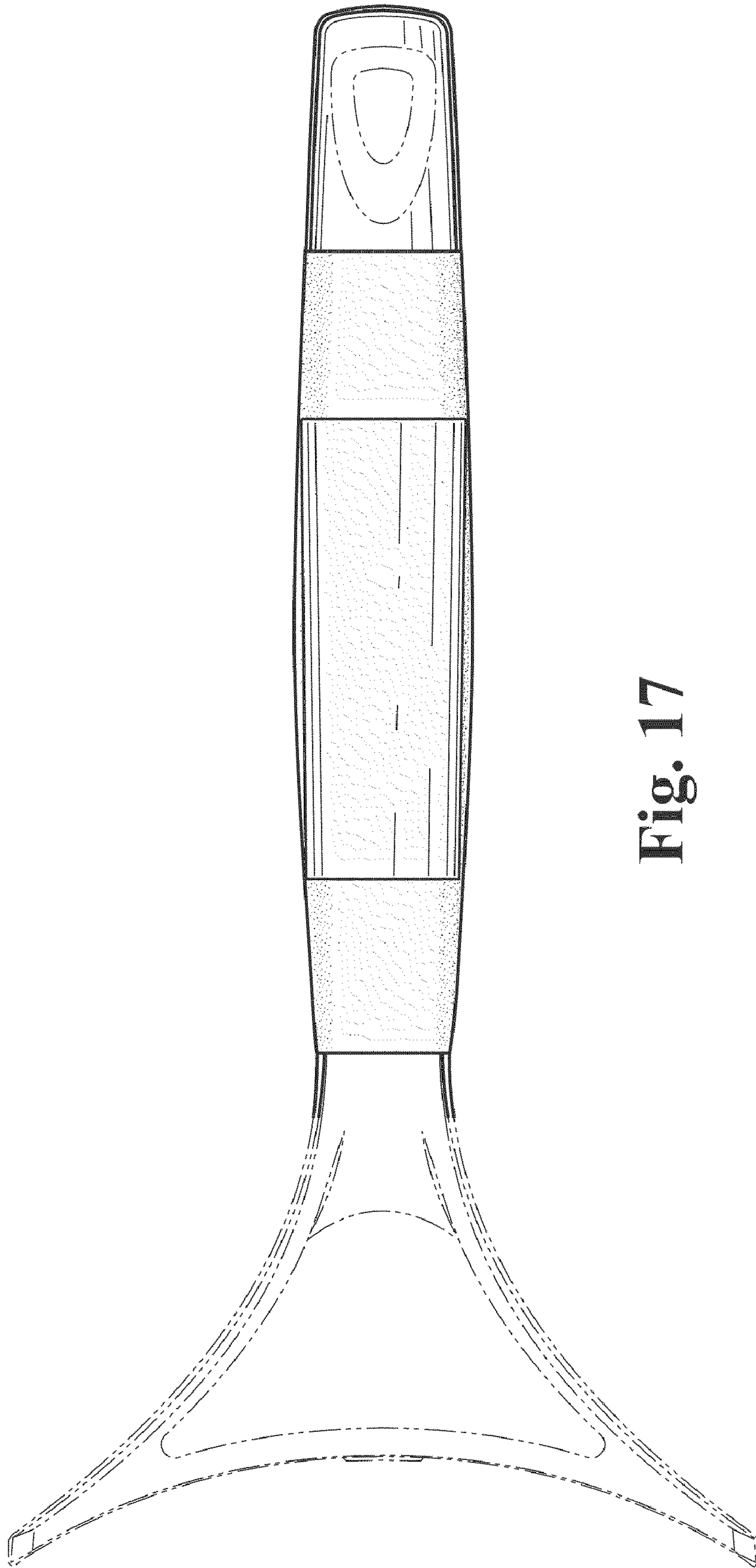


Fig. 17

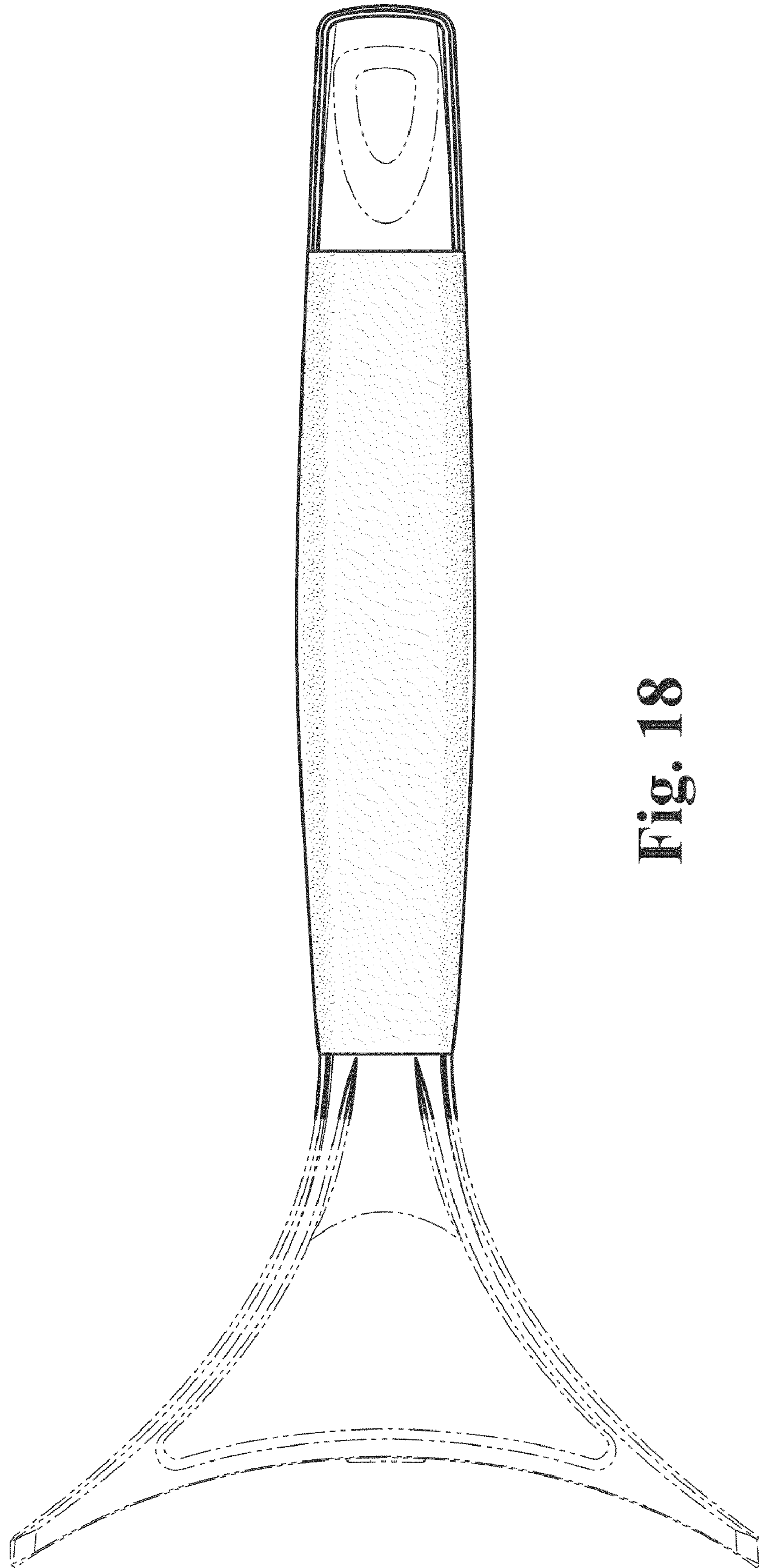


Fig. 18