

US00D598701S

(12) **United States Design Patent**  
**Okajima**

(10) **Patent No.:** **US D598,701 S**

(45) **Date of Patent:** **\*\* Aug. 25, 2009**

(54) **ELECTRIC POT**

D555,970 S \* 11/2007 Schreitmuller et al. .... D7/312

(75) Inventor: **Tadashi Okajima**, Osaka (JP)

FOREIGN PATENT DOCUMENTS

(73) Assignee: **Zojirushi Corporation** (JP)

JP 1196657 2/2004

JP 1196661 2/2004

(\*\*) Term: **14 Years**

\* cited by examiner

(21) Appl. No.: **29/310,390**

*Primary Examiner*—Caron Veynar

*Assistant Examiner*—Ricky Pham

(22) Filed: **Aug. 13, 2008**

(74) *Attorney, Agent, or Firm*—SAIDMAN DesignLaw Group

(30) **Foreign Application Priority Data**

Apr. 28, 2008 (JP) ..... D2008-010865

(57) **CLAIM**

(51) **LOC (9) Cl.** ..... **07-02**

The ornamental design for an electric pot, as shown and described.

(52) **U.S. Cl.** ..... **D7/358**

(58) **Field of Classification Search** ..... D7/300,

D7/306–313, 317–319, 326, 354–361, 376–386,  
D7/397–399, 412–415, 605; 99/279, 348,  
99/509–511; 219/432–433, 438–441; 222/182–185.1;  
366/197–211, 241–254, 341

See application file for complete search history.

**DESCRIPTION**

FIG. 1 is a perspective view of an electric pot showing my new design;

FIG. 2 is a front view thereof;

FIG. 3 is a rear view thereof;

FIG. 4 is a left side elevation thereof;

FIG. 5 is a right side elevation thereof;

FIG. 6 is a top plan view thereof; and,

FIG. 7 is a bottom view thereof.

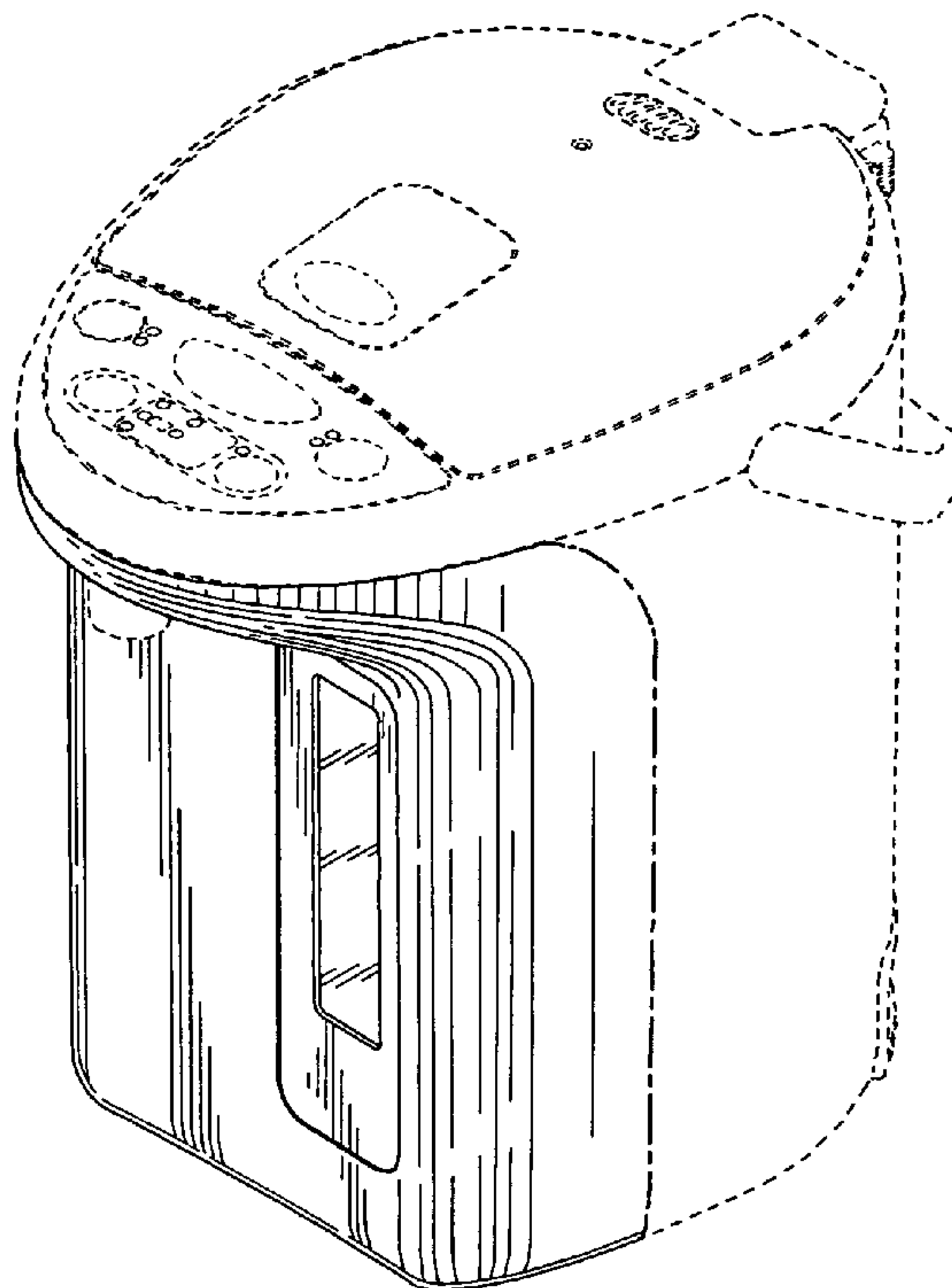
The broken lines shown in the drawings are for illustrative purposes only and form no part of the claimed design.

(56) **References Cited**

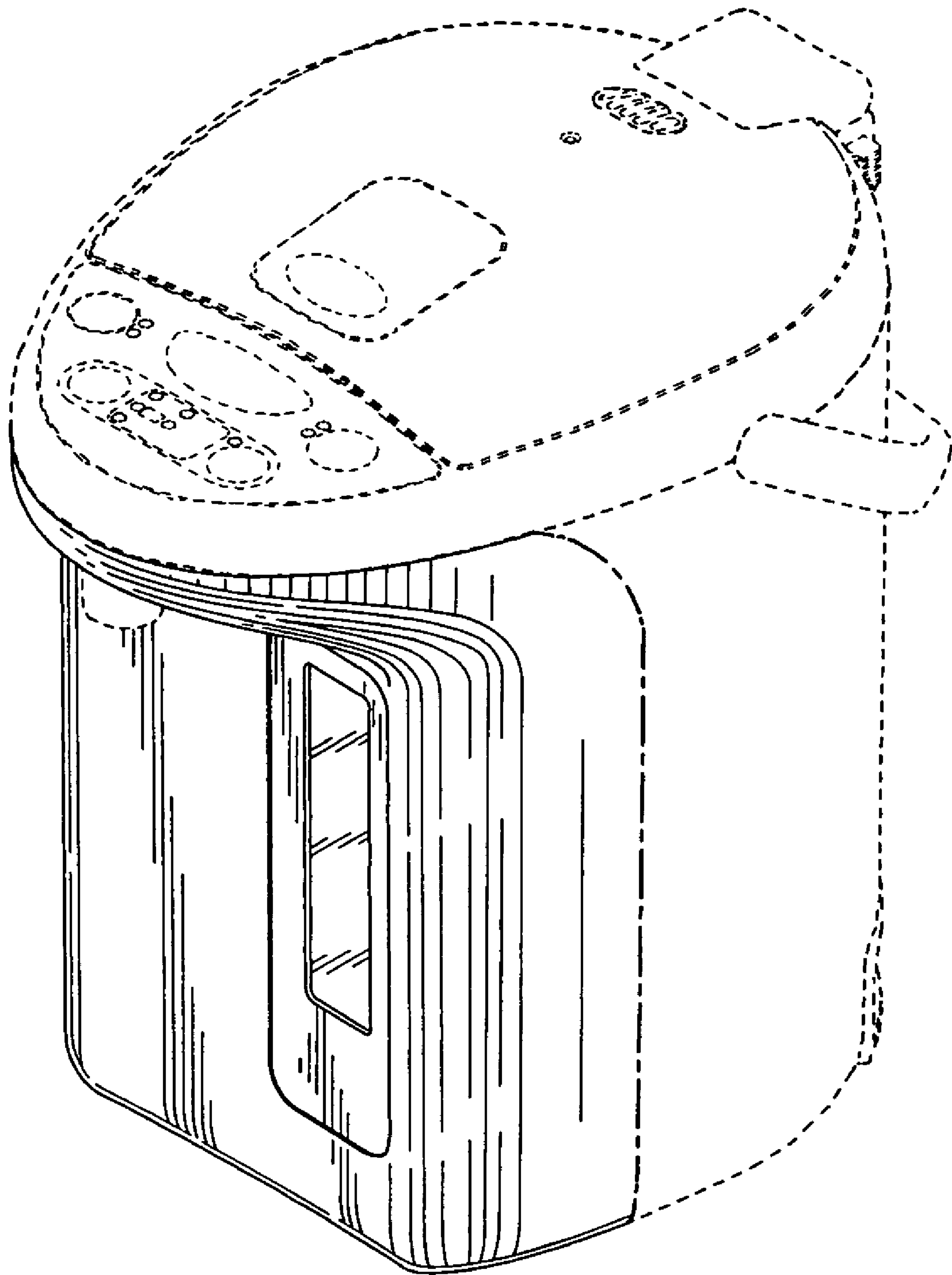
U.S. PATENT DOCUMENTS

D338,366 S \* 8/1993 Ueda et al. .... D7/312  
D463,192 S \* 9/2002 Uneo et al. .... D7/306  
D466,357 S \* 12/2002 Bornancini ..... D7/320  
D487,376 S \* 3/2004 Uneo et al. .... D7/306  
D522,794 S \* 6/2006 Imai ..... D7/313  
D541,572 S \* 5/2007 Watanabe ..... D7/313

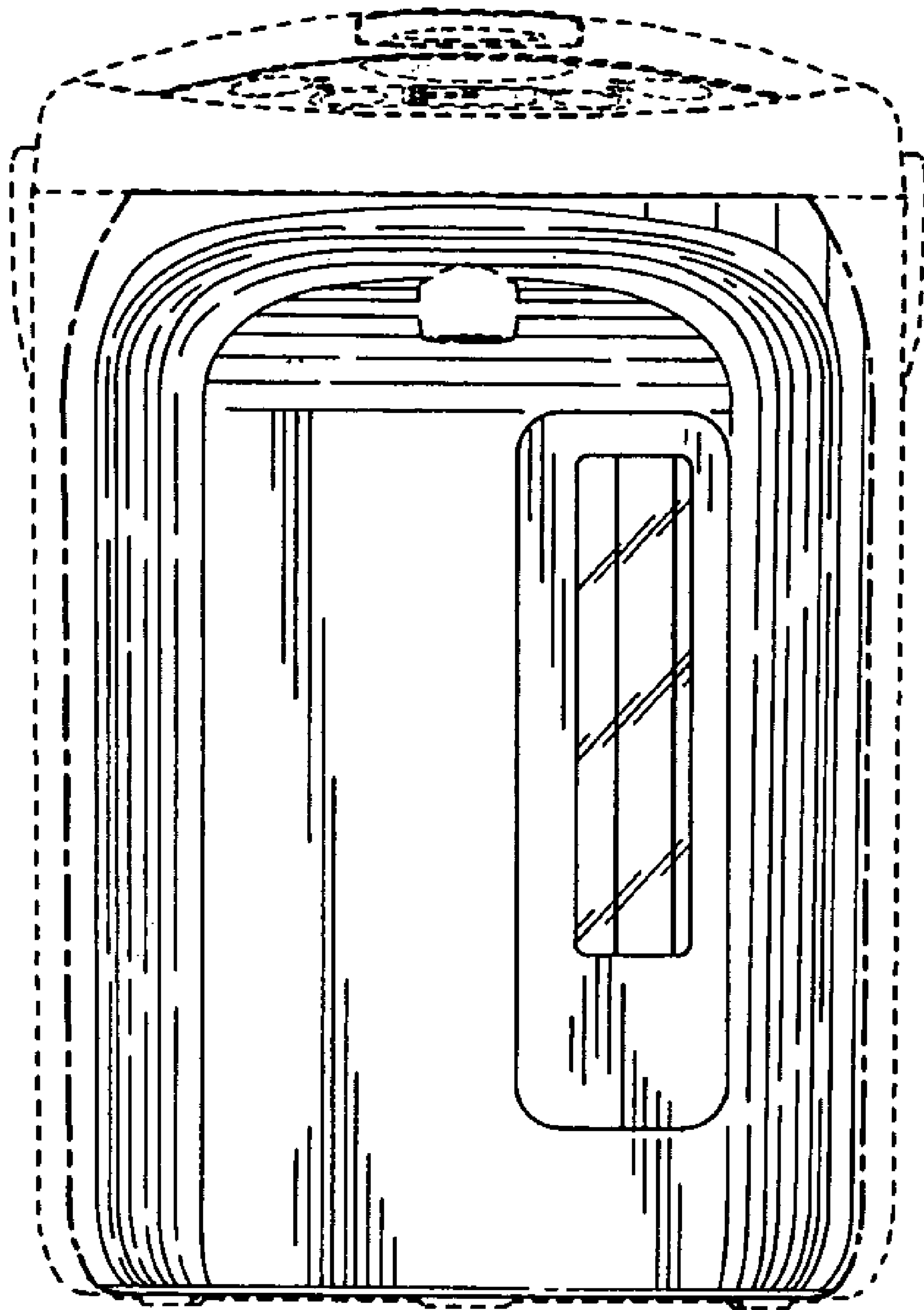
**1 Claim, 7 Drawing Sheets**



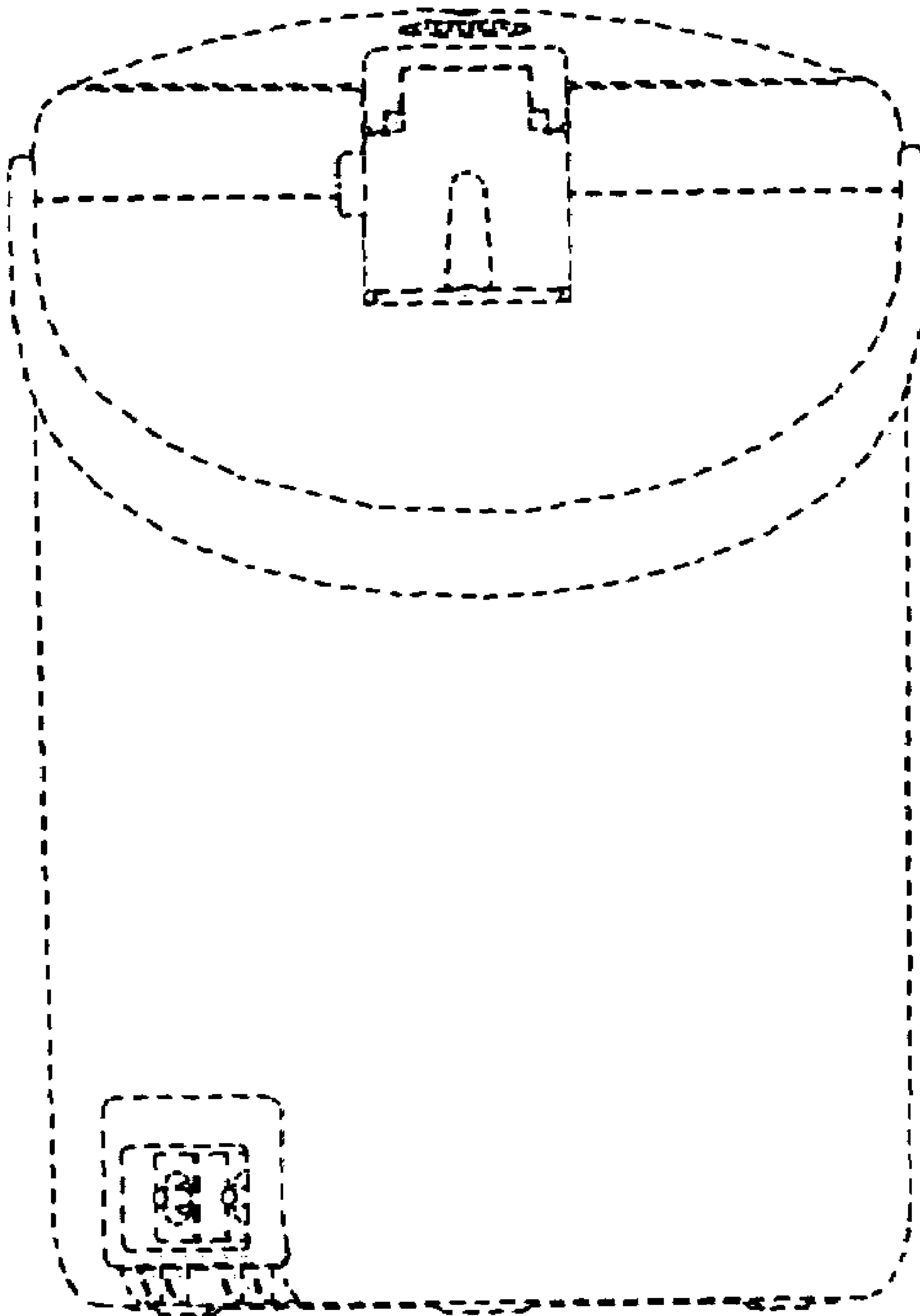
*Fig. 1*



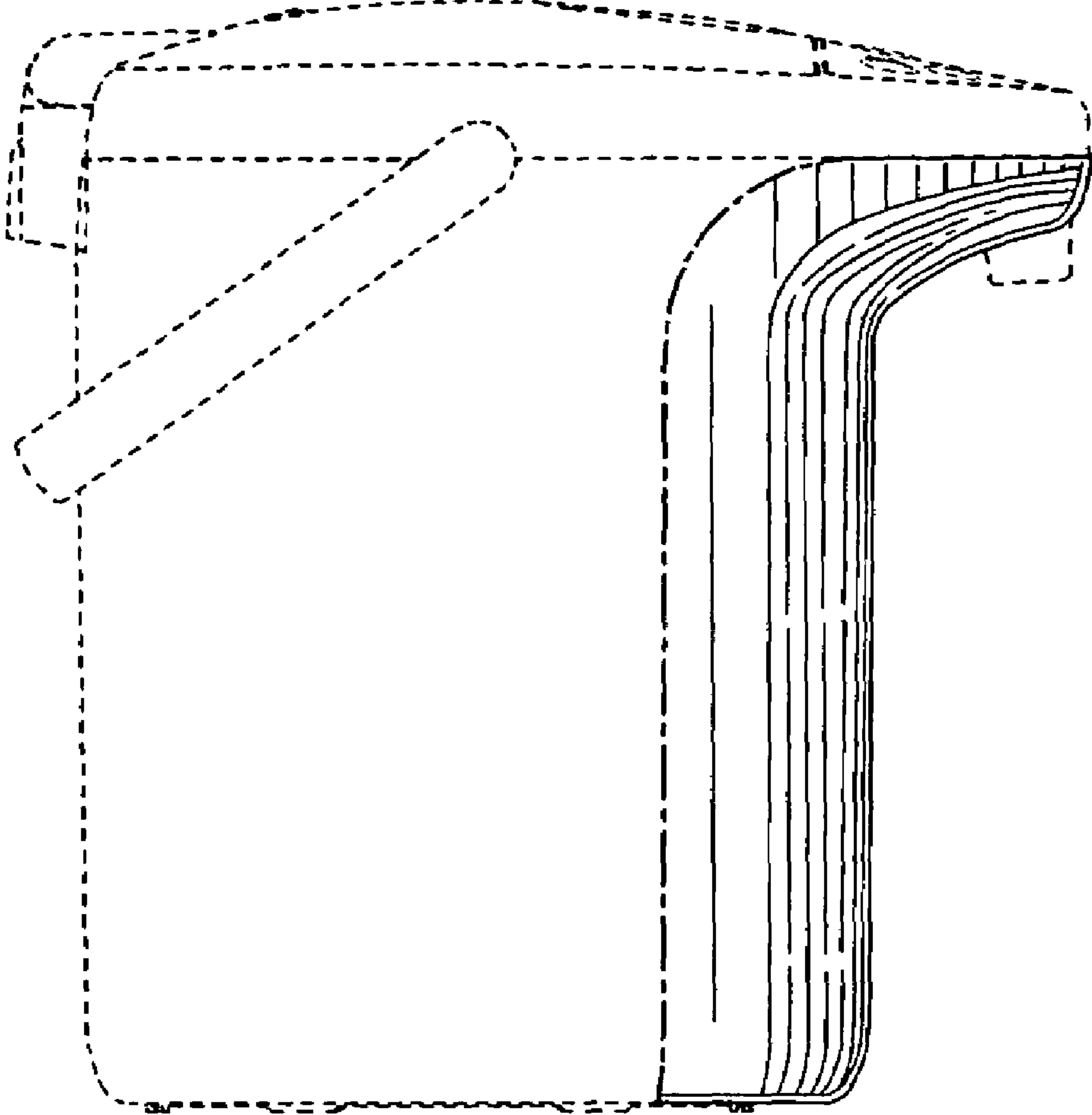
*Fig. 2*



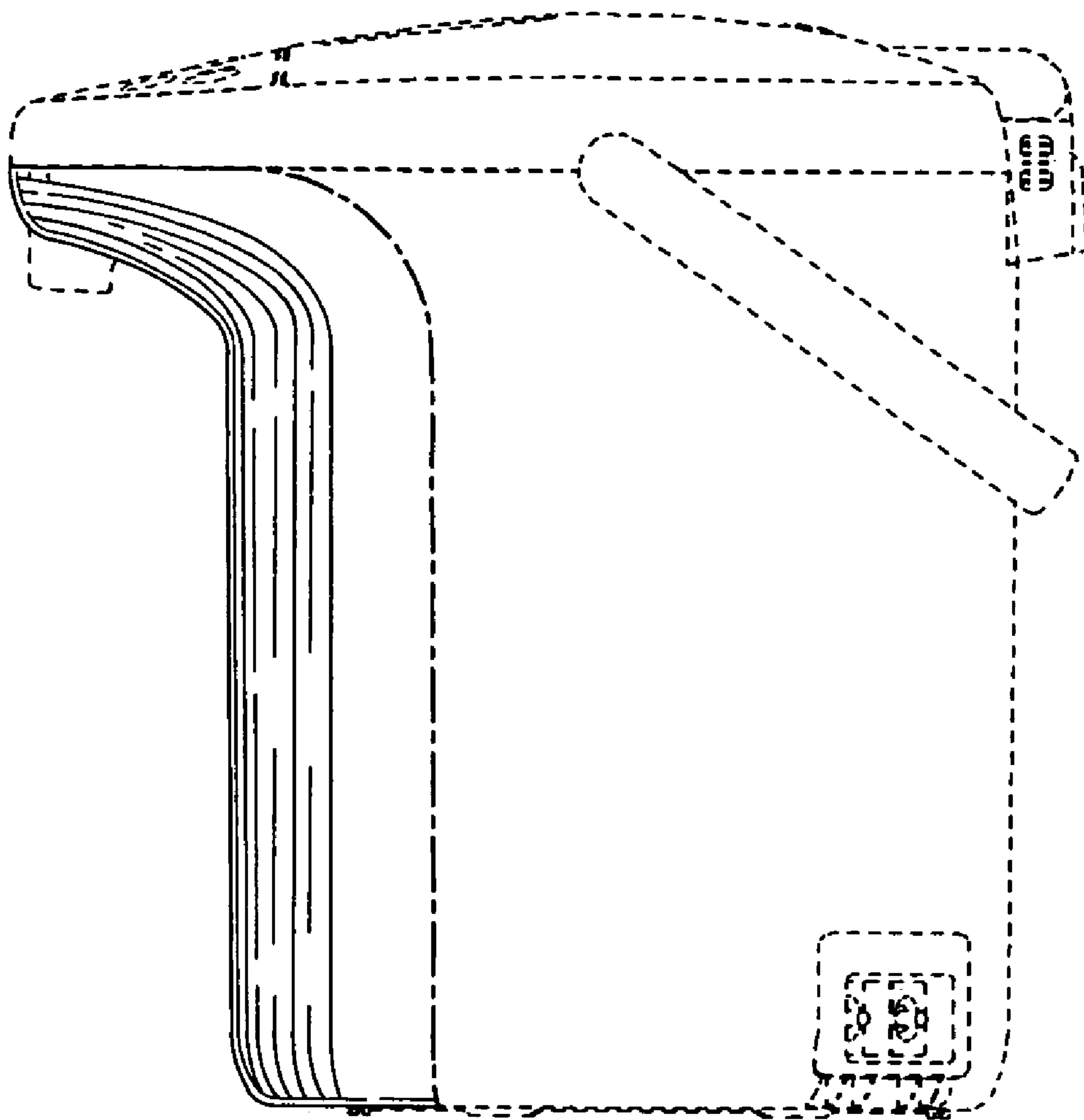
*Fig. 3*



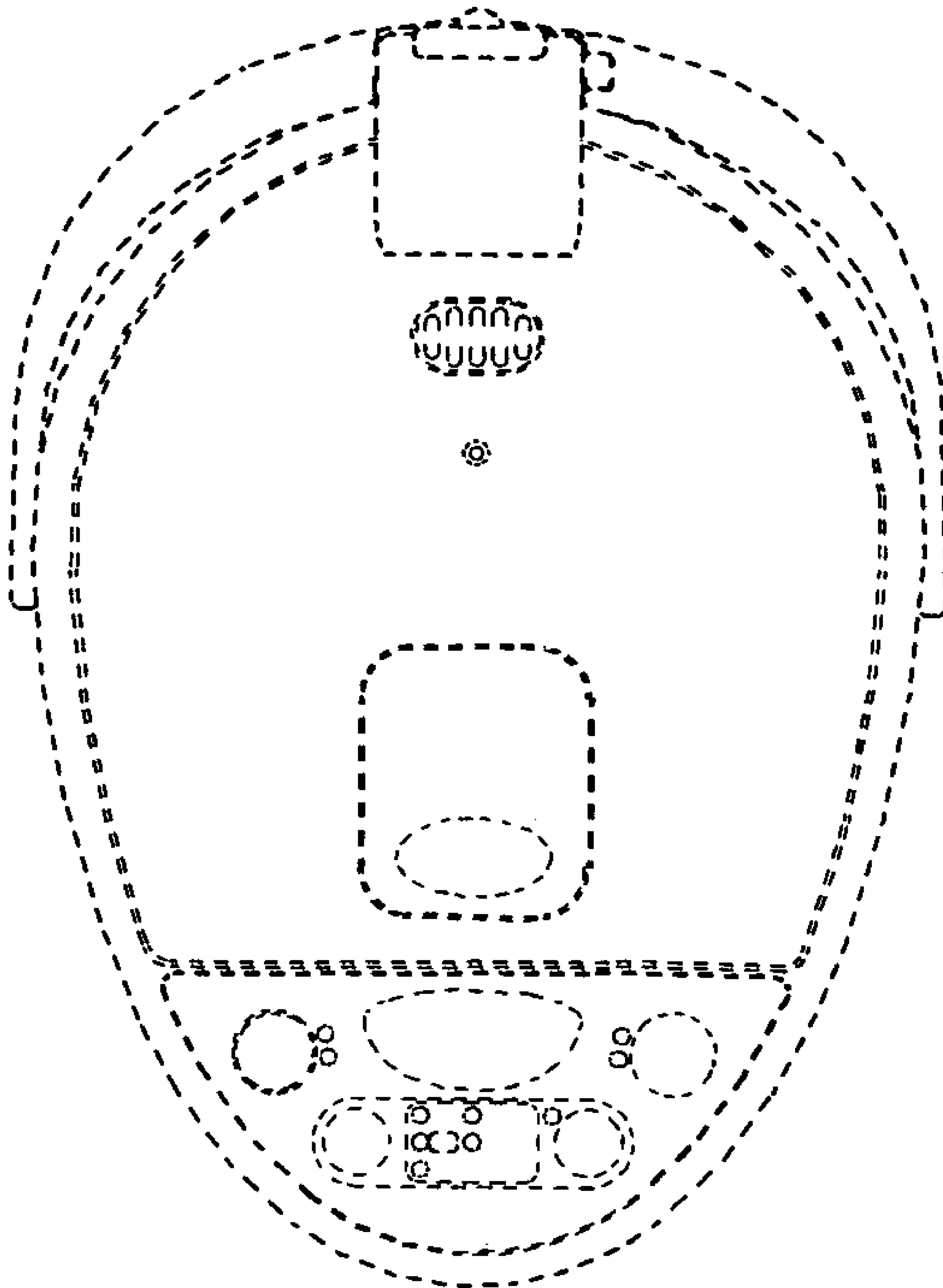
*Fig. 4*



*Fig. 5*



*Fig. 6*





*Fig. 7*

