



US00D598700S

(12) **United States Design Patent**  
**Seymour**

(10) **Patent No.:** **US D598,700 S**  
(45) **Date of Patent:** **\*\* Aug. 25, 2009**

(54) **DEEP FRYER**

D588,398 S \* 3/2009 Pan ..... D7/354

(75) Inventor: **Justun C. Seymour**, Eau Claire, WI  
(US)

FOREIGN PATENT DOCUMENTS  
CN 200630060898.8 3/2007

(73) Assignee: **National Presto Industries, Inc.**, Eau  
Claire, WI (US)

OTHER PUBLICATIONS

(\*\*) Term: **14 Years**

Presto® GranPappy® Electric Deep Fryer Advertisement, 1 page,  
copyright 2003.  
Presto® FryDaddy® Electric Deep Fryer Advertisement, 1 page,  
copyright 2007.  
Presto® FryDaddy® Plus Electric Deep Fryer Advertisement, 1  
page, copyright 1990.  
Presto® FryBaby® Electric Deep Fryer Advertisement, copyright  
1984.  
Presto® DualDaddy™ Electric Deep Fryer computer printout, <http://www.gopresto.com/products/products.php?stock=05450>, printed  
Feb. 26, 2009, 1 page, copyright 2008.

(21) Appl. No.: **29/332,953**

(22) Filed: **Feb. 27, 2009**

(51) **LOC (9) Cl.** ..... **07-02**

(52) **U.S. Cl.** ..... **D7/354**

(58) **Field of Classification Search** ..... D7/323,  
D7/350.2, 352–361, 378–379, 383–384, 402,  
D7/542–545, 667; D21/525; 99/140 R, 337,  
99/340, 345, 403, 422, 425, 455; 219/432–433,  
219/438–441, 620–622, 725–730; 220/573.1–574,  
220/769, 912; 426/438, 441

See application file for complete search history.

\* cited by examiner

*Primary Examiner*—Caron Veynar  
*Assistant Examiner*—Ricky Pham  
(74) *Attorney, Agent, or Firm*—Patterson, Thunte, Skaar &  
Christensen, P.A.

(56) **References Cited**

(57) **CLAIM**

U.S. PATENT DOCUMENTS

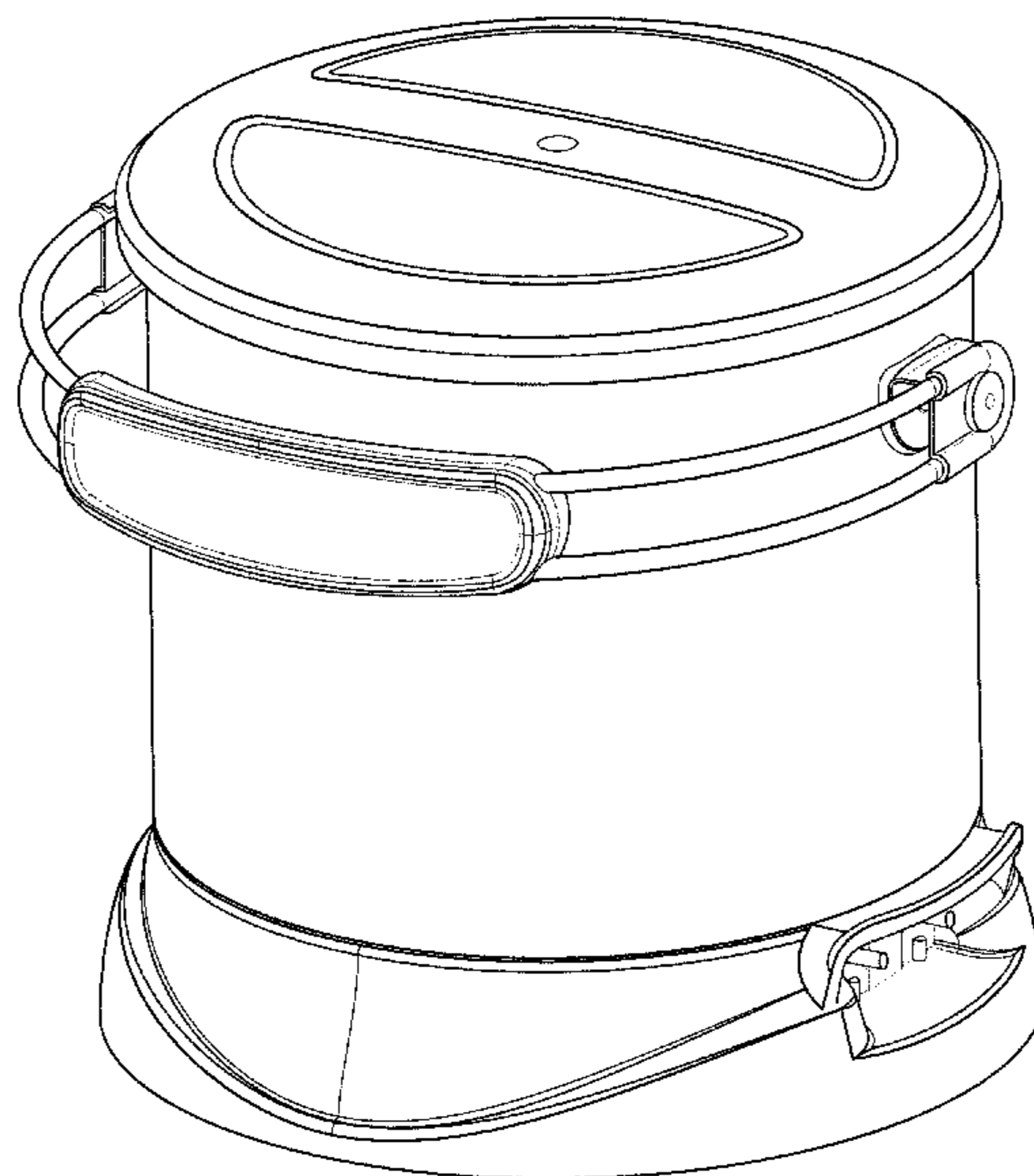
I claim the ornamental design for deep fryer, as shown.

D246,686 S	12/1977	Boldt	
D284,257 S	6/1986	Greb et al.	
D323,762 S *	2/1992	Barrault	..... D7/354
D380,504 S *	7/1997	Yang	..... D21/525
D418,360 S *	1/2000	Kei	..... D7/354
D418,361 S *	1/2000	Utsugi	..... D7/354
D431,150 S	9/2000	Kalina et al.	
D444,666 S	7/2001	Kalina et al.	
D444,994 S	7/2001	Kalina et al.	
D458,507 S *	6/2002	Meelen	..... D7/354
D549,517 S *	8/2007	Moran	..... D7/358
D552,921 S *	10/2007	Garman et al.	..... D7/354
D568,092 S *	5/2008	Boes et al.	..... D7/354
D585,238 S *	1/2009	Tseng	..... D7/361

**DESCRIPTION**

FIG. 1 is a perspective view of a deep fryer according to an  
embodiment of the invention.  
FIG. 2 is a front view of the deep fryer of FIG. 1.  
FIG. 3 is a rear view of the deep fryer of FIG. 1.  
FIG. 4 is a side view of the deep fryer of FIG. 1.  
FIG. 5 is a side view of the deep fryer of FIG. 1.  
FIG. 6 is a top view of the deep fryer of FIG. 1; and,  
FIG. 7 is a bottom view of the deep fryer of FIG. 1.

**1 Claim, 7 Drawing Sheets**



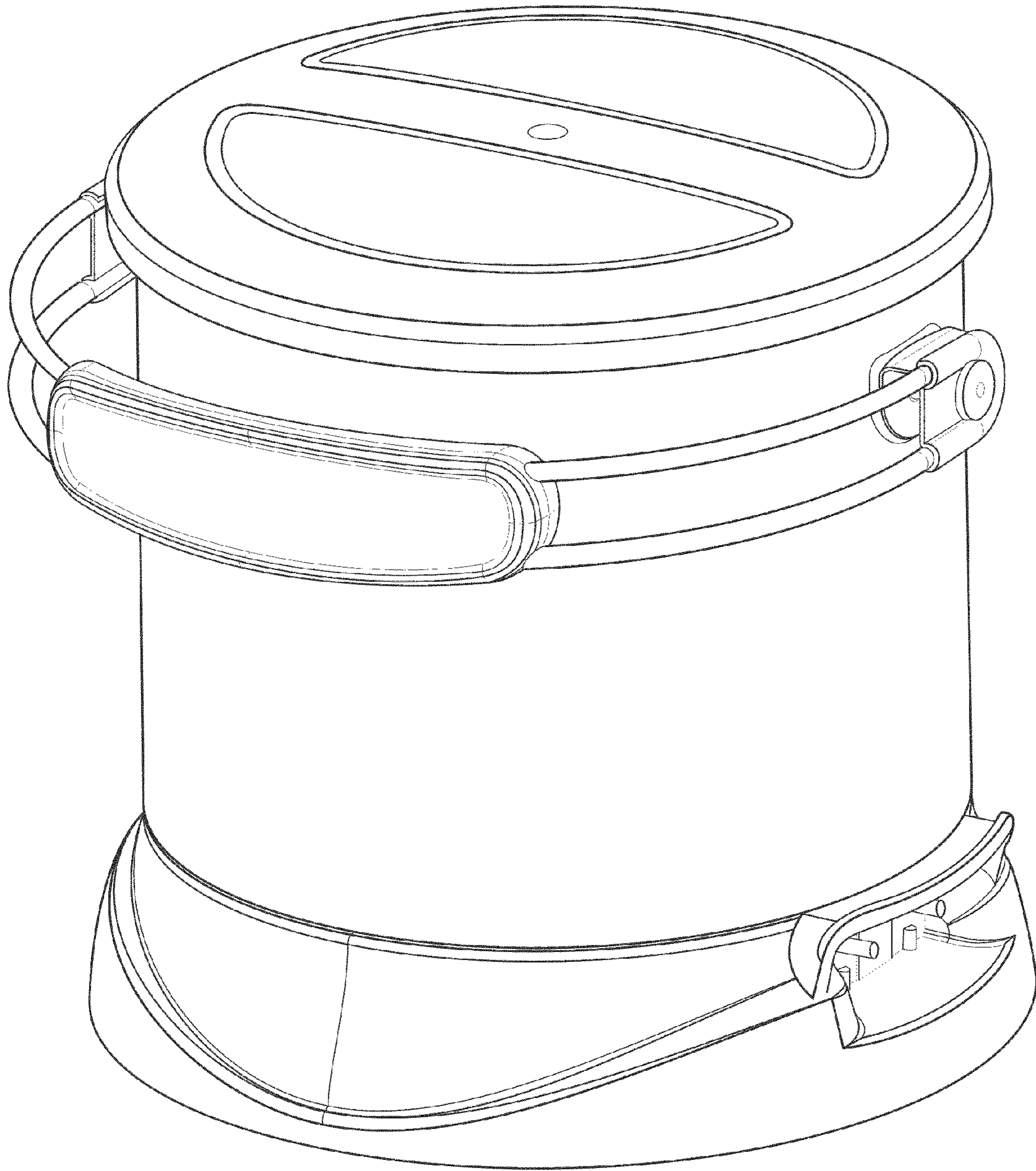


Fig. 1

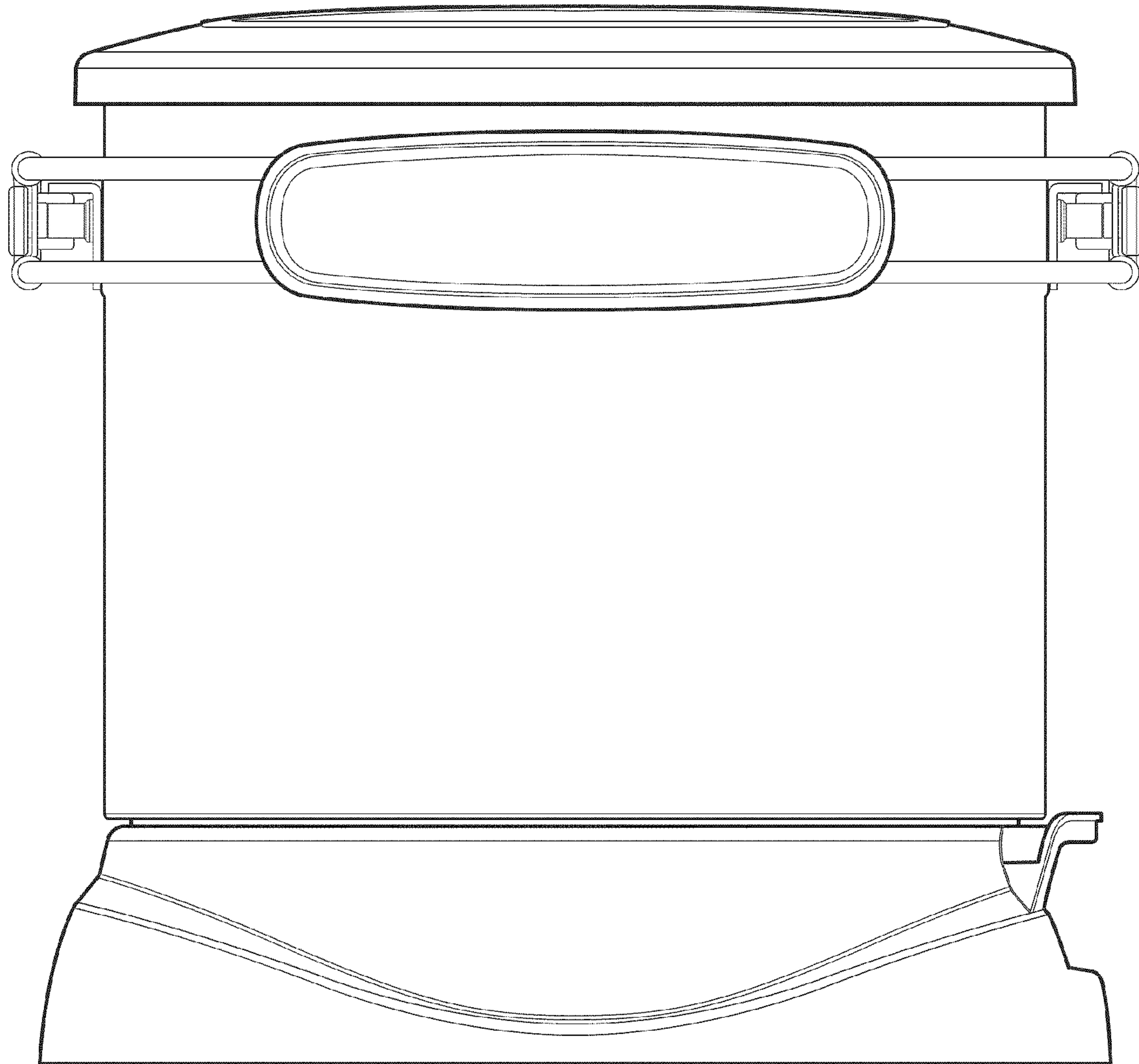


Fig. 2

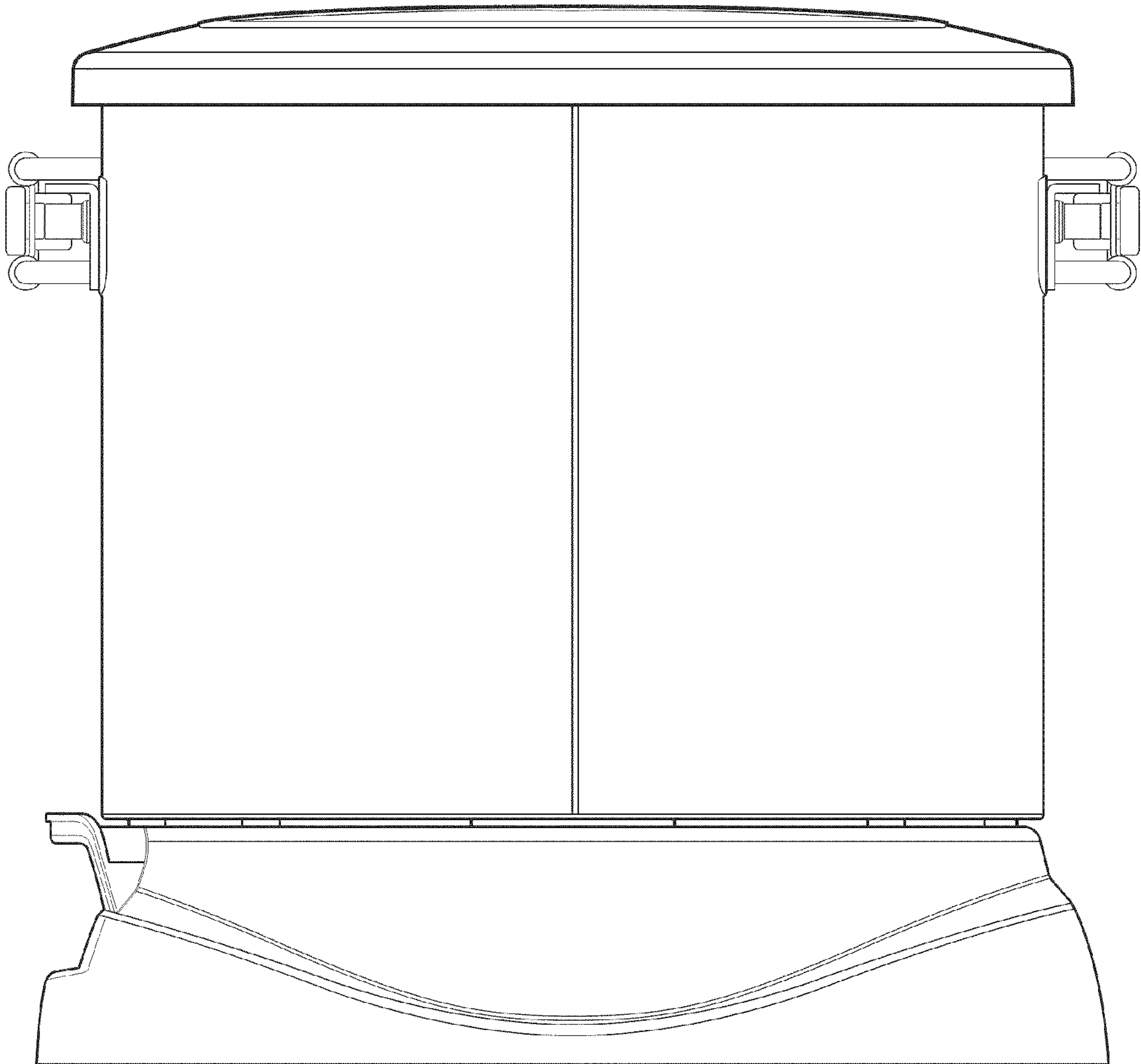


Fig. 3

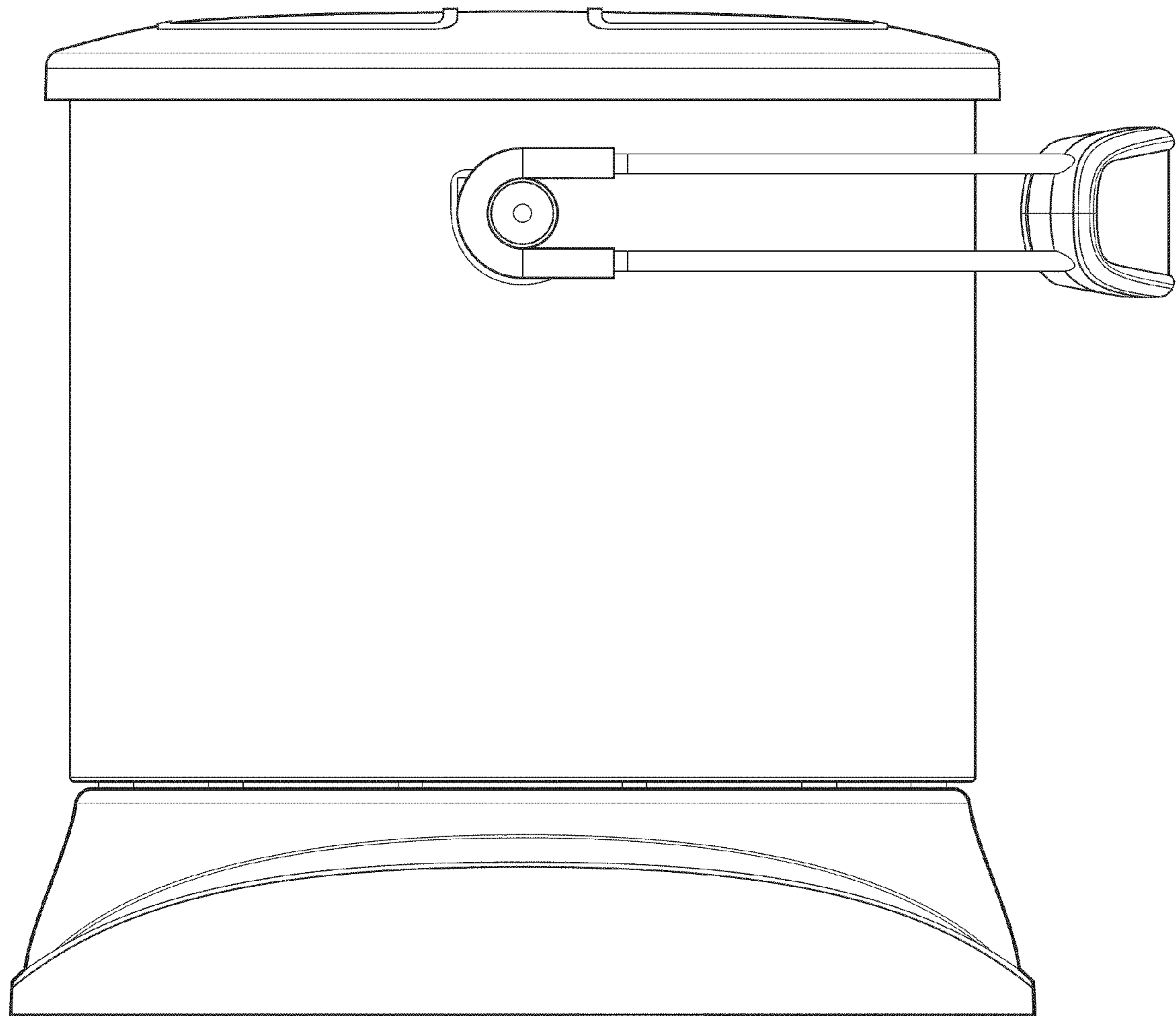


Fig. 4

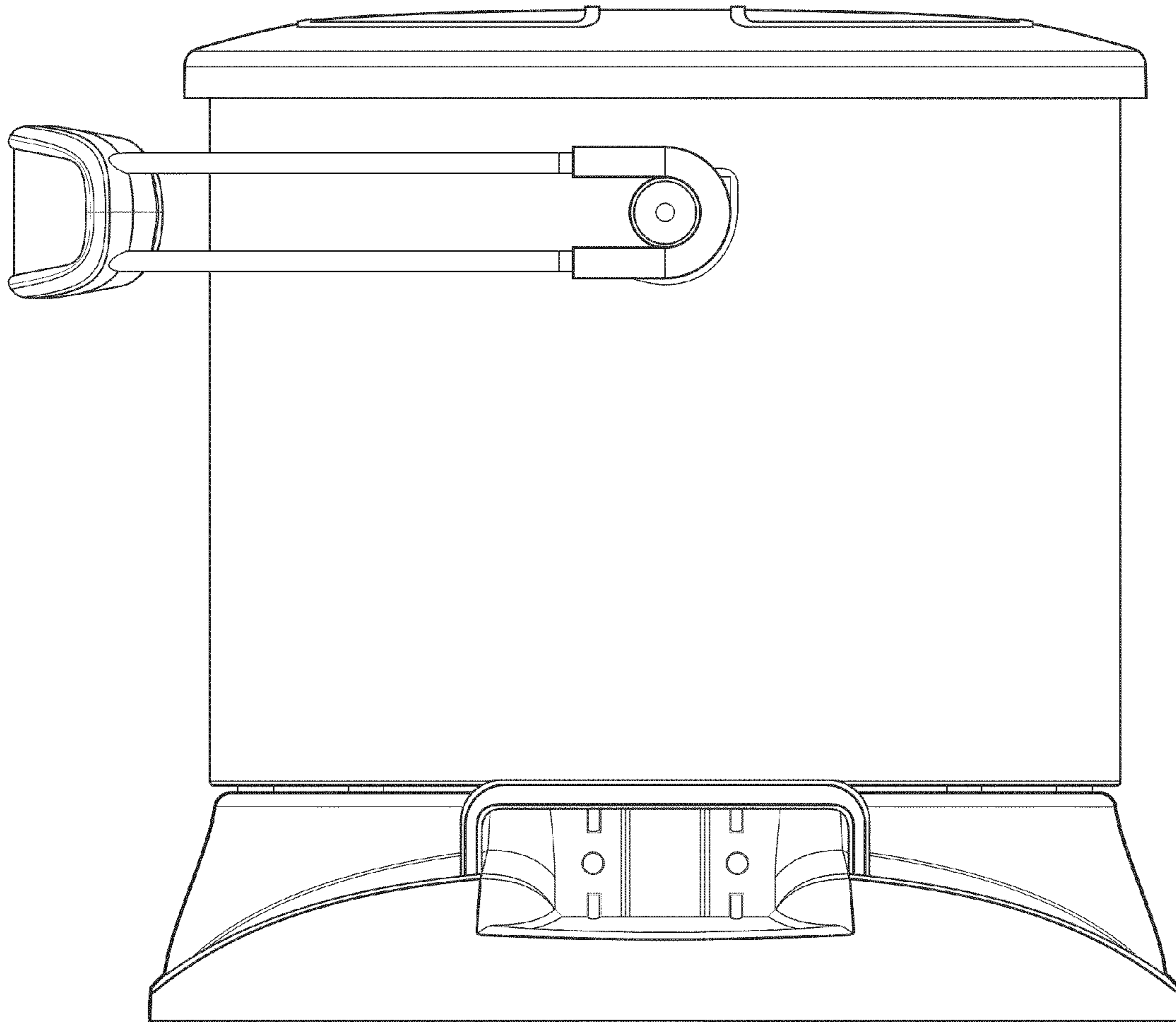


Fig. 5

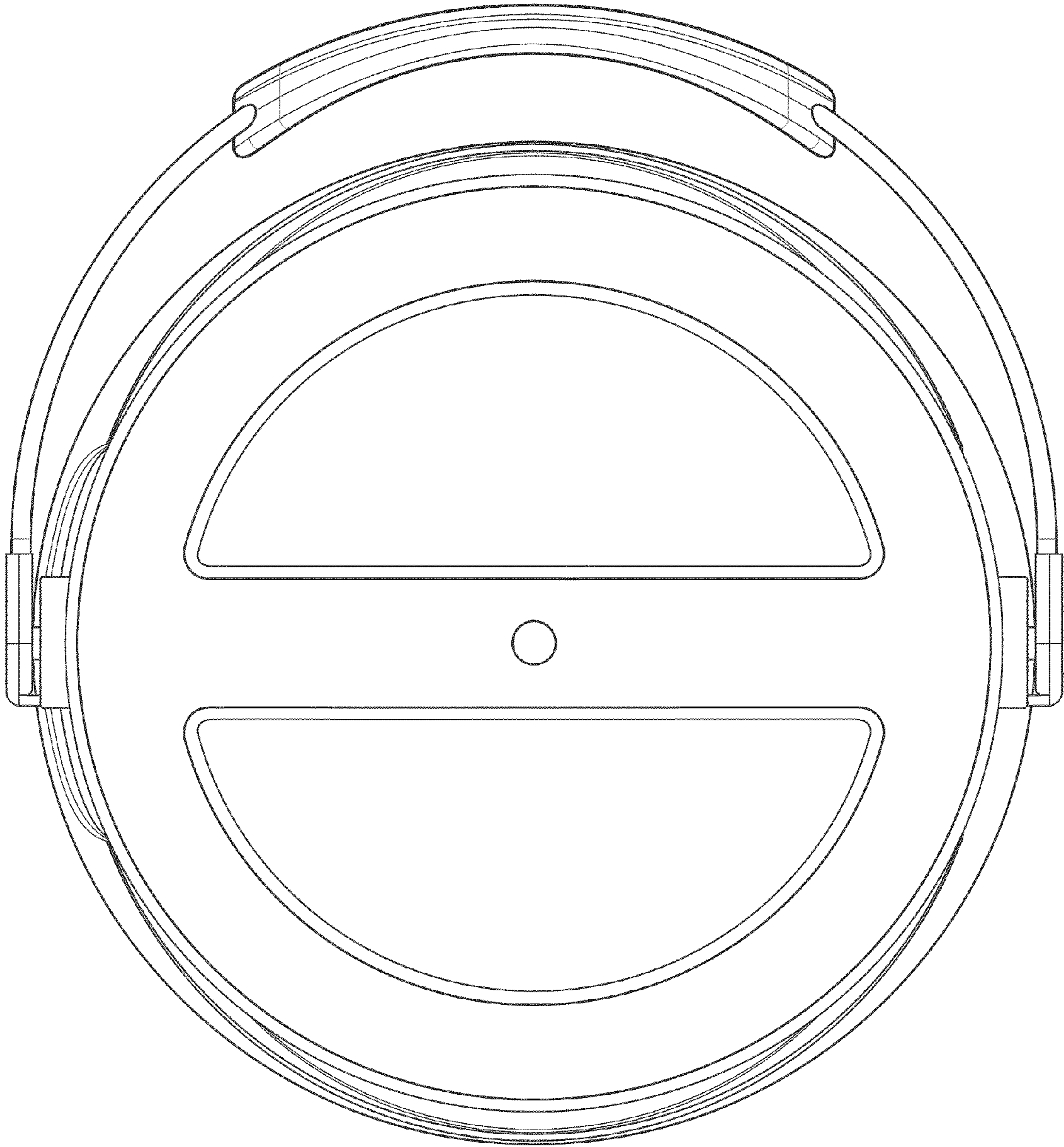


Fig. 6

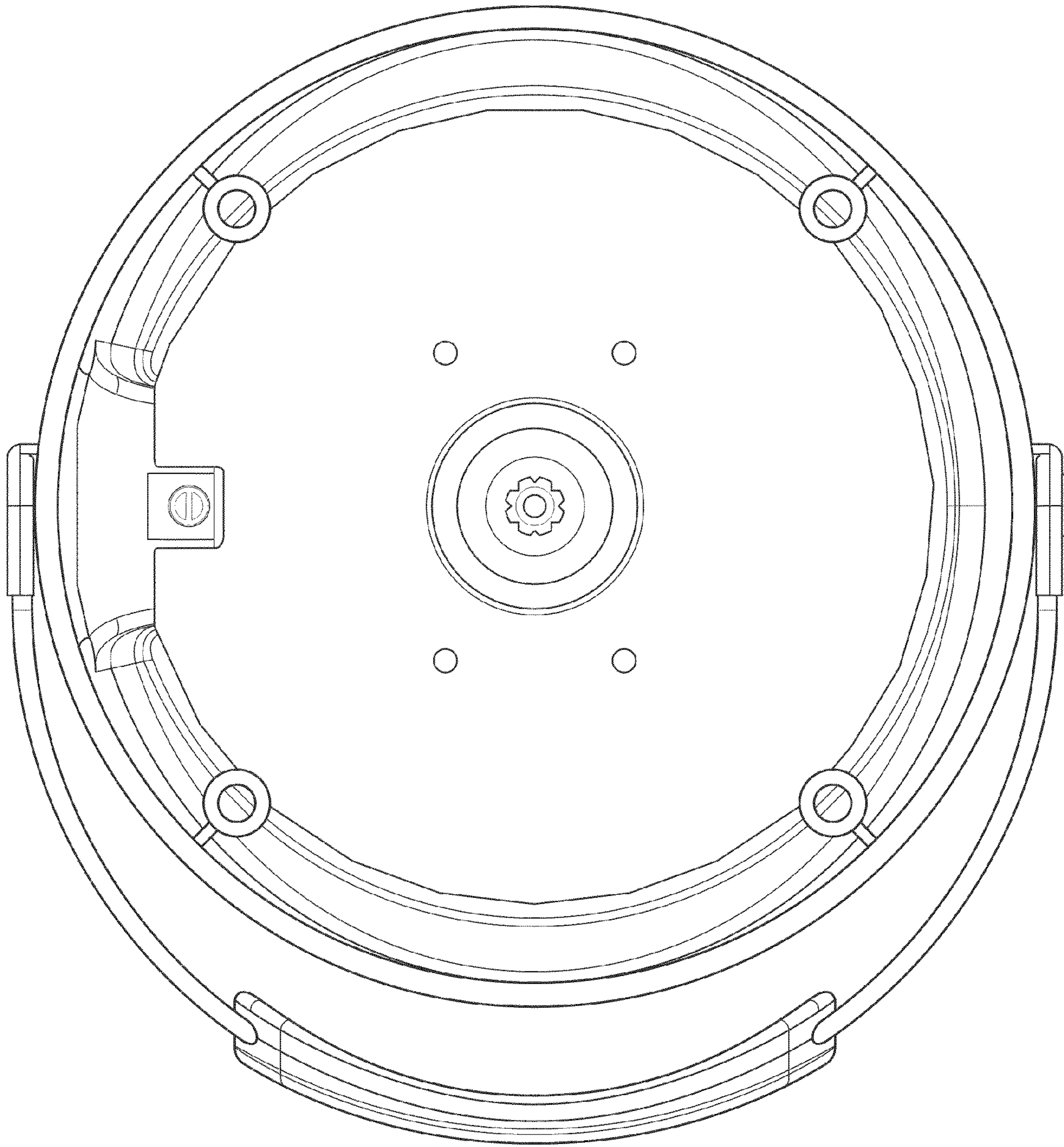


Fig. 7