

US00D598699S

(12) **United States Design Patent**
Patterson

(10) **Patent No.:** **US D598,699 S**

(45) **Date of Patent:** **** Aug. 25, 2009**

(54) **COMBINED MICROWAVE AND REFRIGERATOR APPARATUS**

(76) Inventor: **Michael Patterson**, 26 Amherst Ct., Hamburg, NJ (US) 07419

(**) Term: **14 Years**

(21) Appl. No.: **29/321,430**

(22) Filed: **Jul. 16, 2008**

(51) **LOC (9) Cl.** **07-02**

(52) **U.S. Cl.** **D7/351**

(58) **Field of Classification Search** D7/350.1-350.4, D7/351, 402, 405; 126/19 M, 275 R, 275 E, 126/756-758, 386, 387, 21 A; D15/81; 99/327-328, 99/329 R, 331-332, 348, 357, 467, 448, 468, 99/483, 339; 366/98, 146; 219/393
See application file for complete search history.

(56) **References Cited**

U.S. PATENT DOCUMENTS

3,482,509	A	12/1969	Gardner	
D273,114	S *	3/1984	Damkjaer	D15/88
D286,882	S *	11/1986	Hong	D15/81
4,847,722	A	7/1989	Bennett	
4,884,626	A	12/1989	Filipowski	
4,958,055	A	9/1990	Shim	
5,315,084	A	5/1994	Jensen	

D368,482	S *	4/1996	Bone	D15/81
D368,483	S *	4/1996	Bone	D15/81
D368,484	S *	4/1996	Bone	D15/81
D475,236	S *	6/2003	Lai	D7/350.1
D533,012	S *	12/2006	Massaloux et al.	D7/350.1
D565,888	S *	4/2008	Frank	D7/351

* cited by examiner

Primary Examiner—Ruth McInroy

(57) **CLAIM**

The ornamental design for a combined microwave and refrigerator apparatus, as shown.

DESCRIPTION

FIG. 1 is a perspective view of a combined microwave and refrigerator apparatus showing my new design;

FIG. 2 is a front view thereof;

FIG. 3 is a rear view thereof;

FIG. 4 is a left side view thereof;

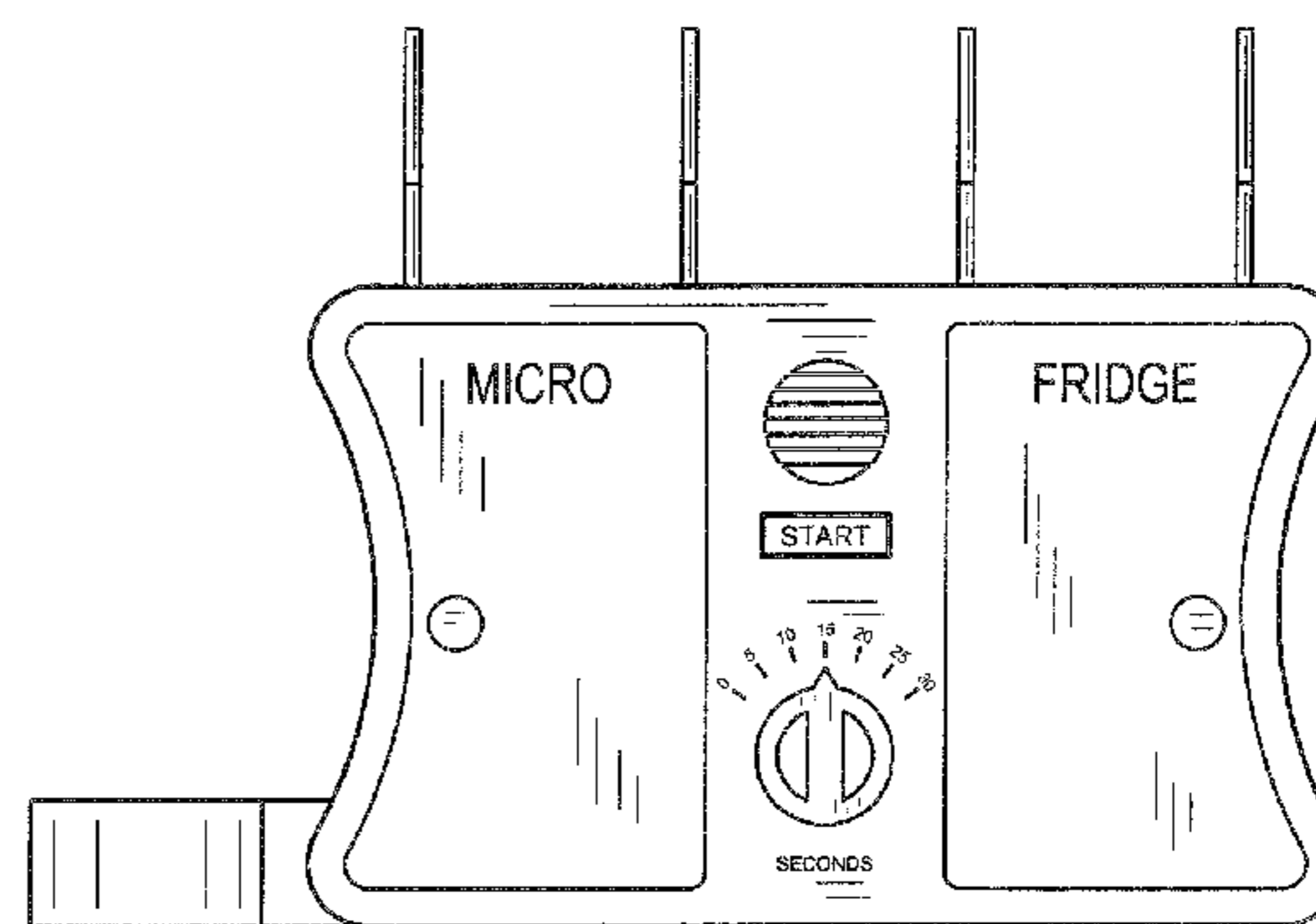
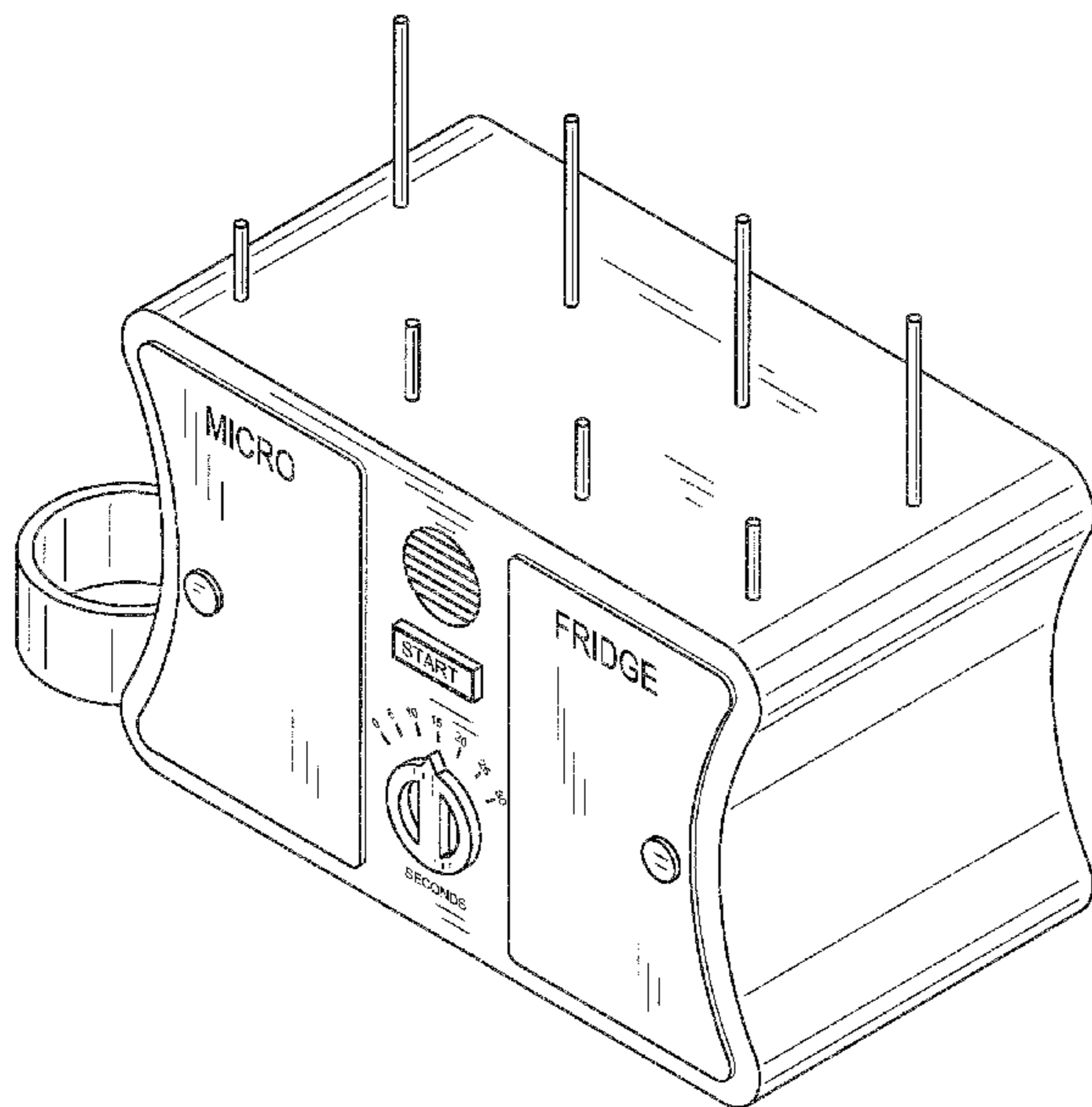
FIG. 5 is a right side view thereof;

FIG. 6 is a top plan view thereof; and,

FIG. 7 is a bottom plan view thereof.

The electric cord shown broken away represents indeterminate length.

1 Claim, 4 Drawing Sheets



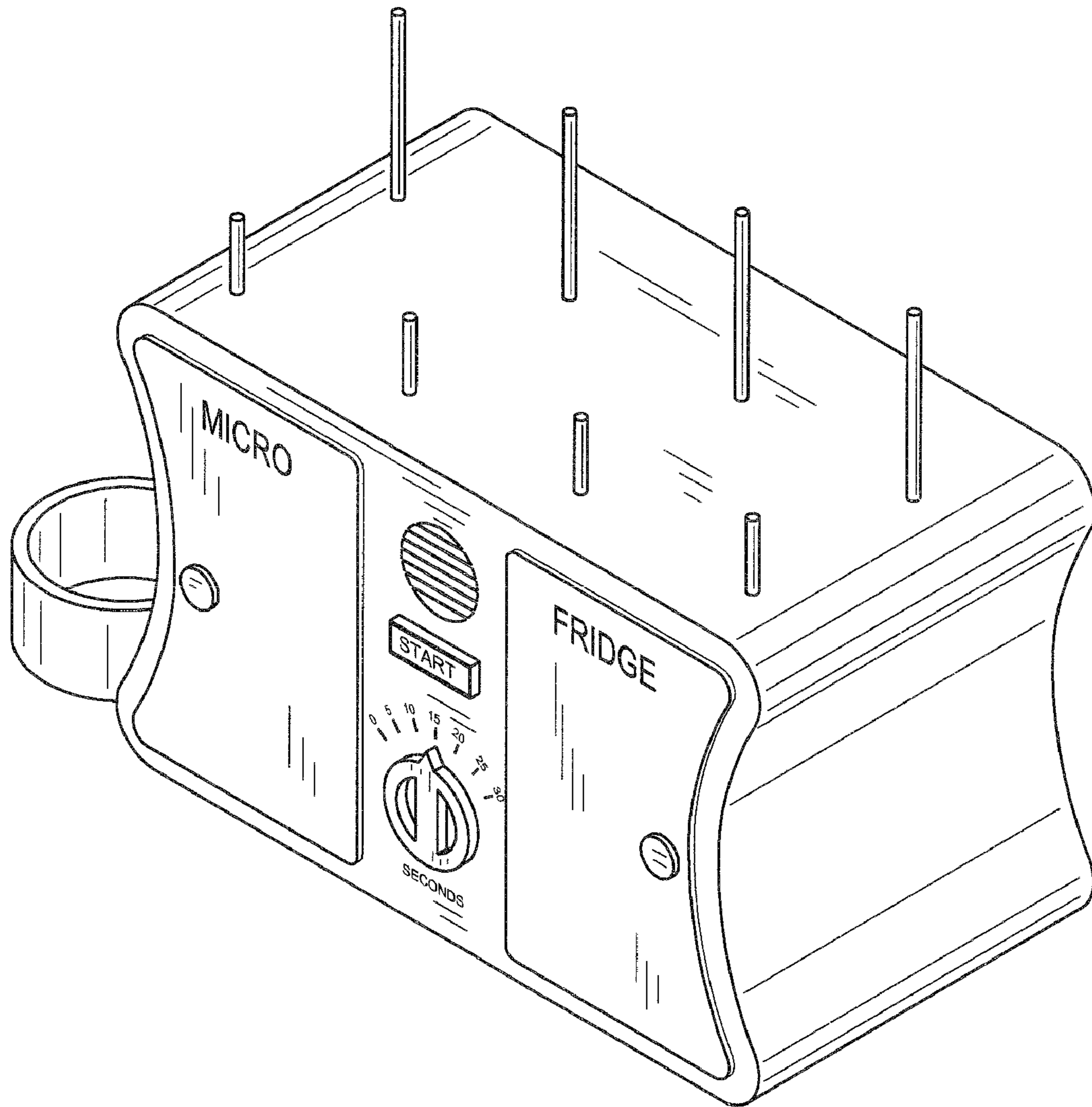


FIG. 1

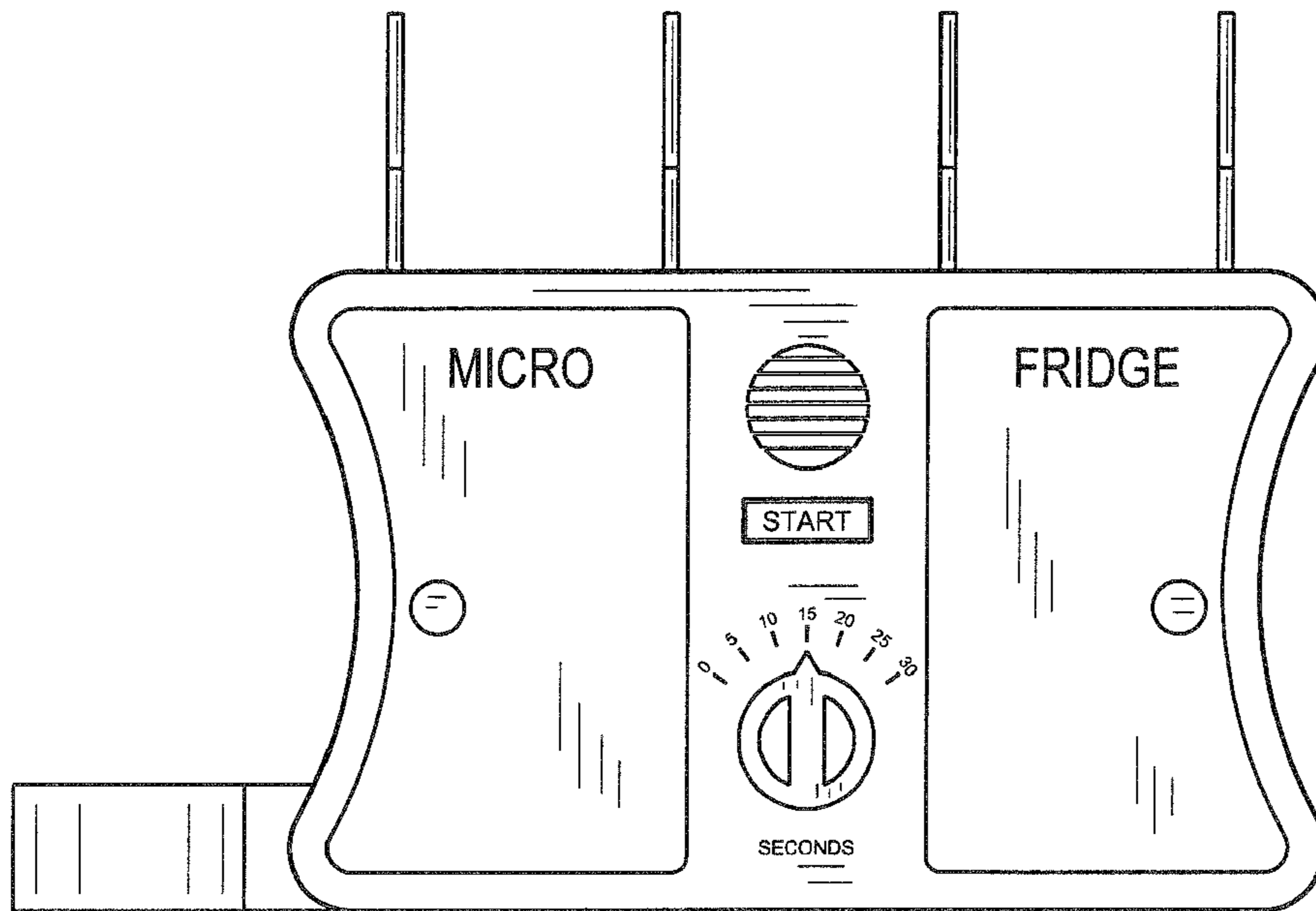


FIG. 2

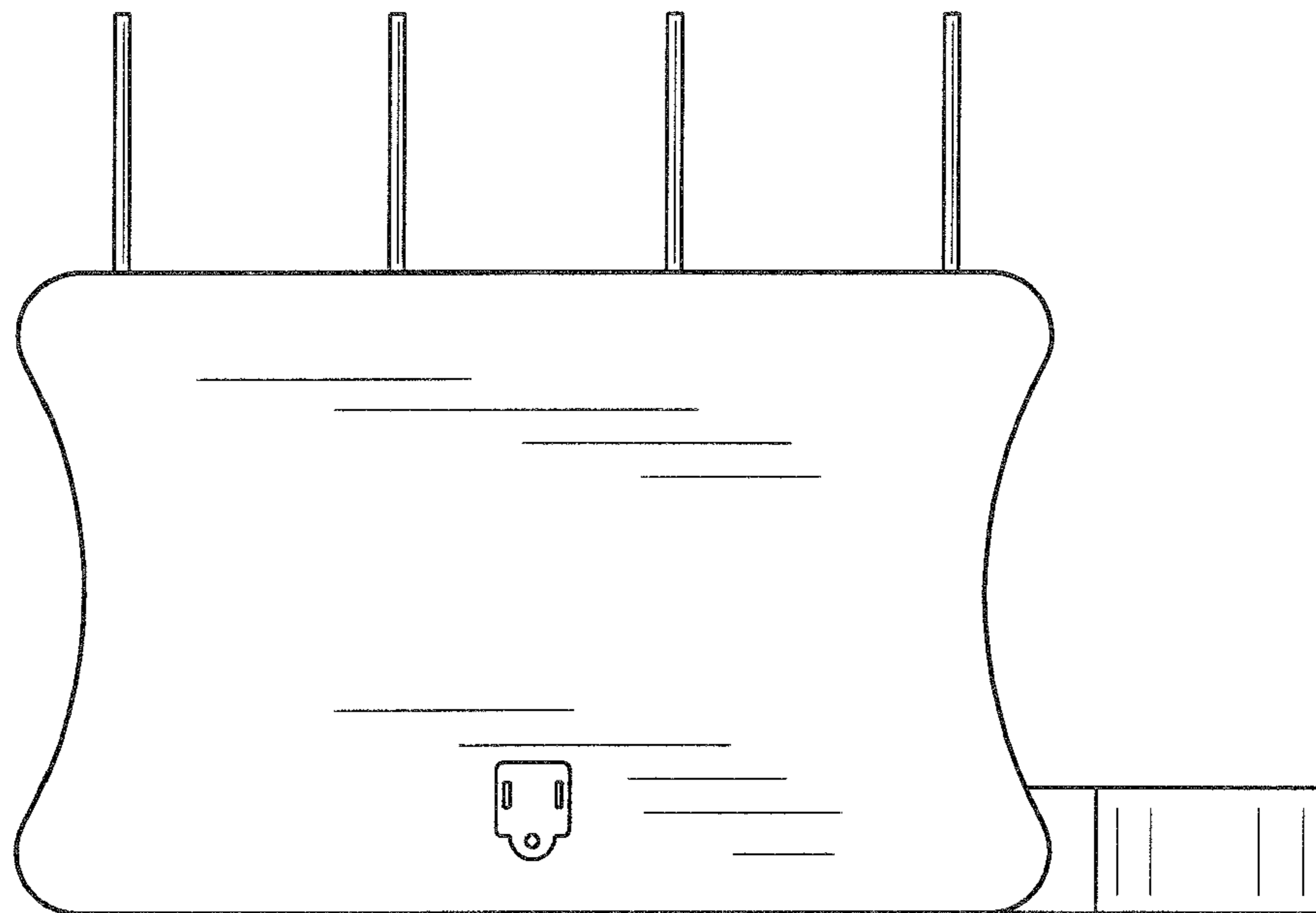


FIG. 3

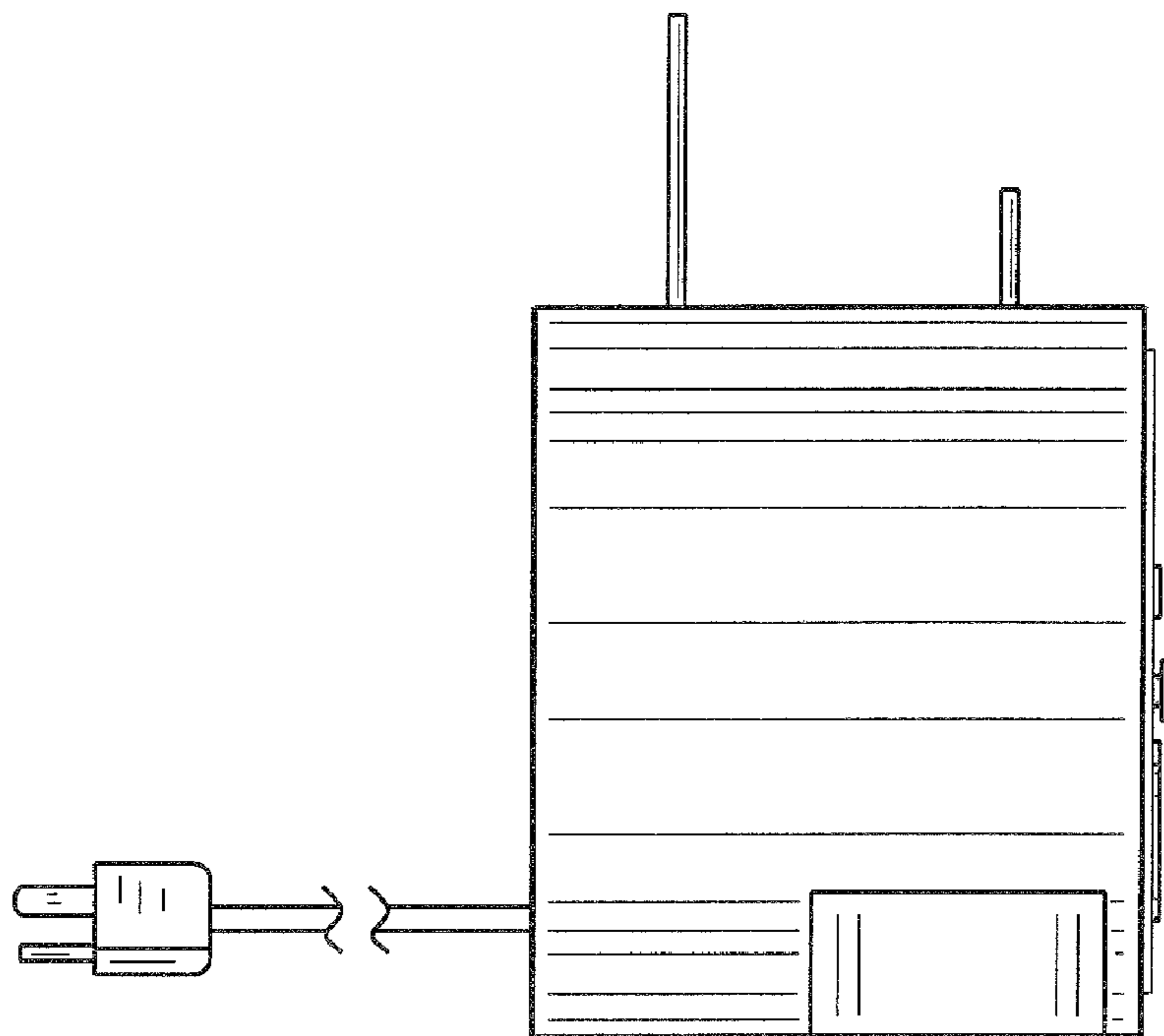


FIG. 4

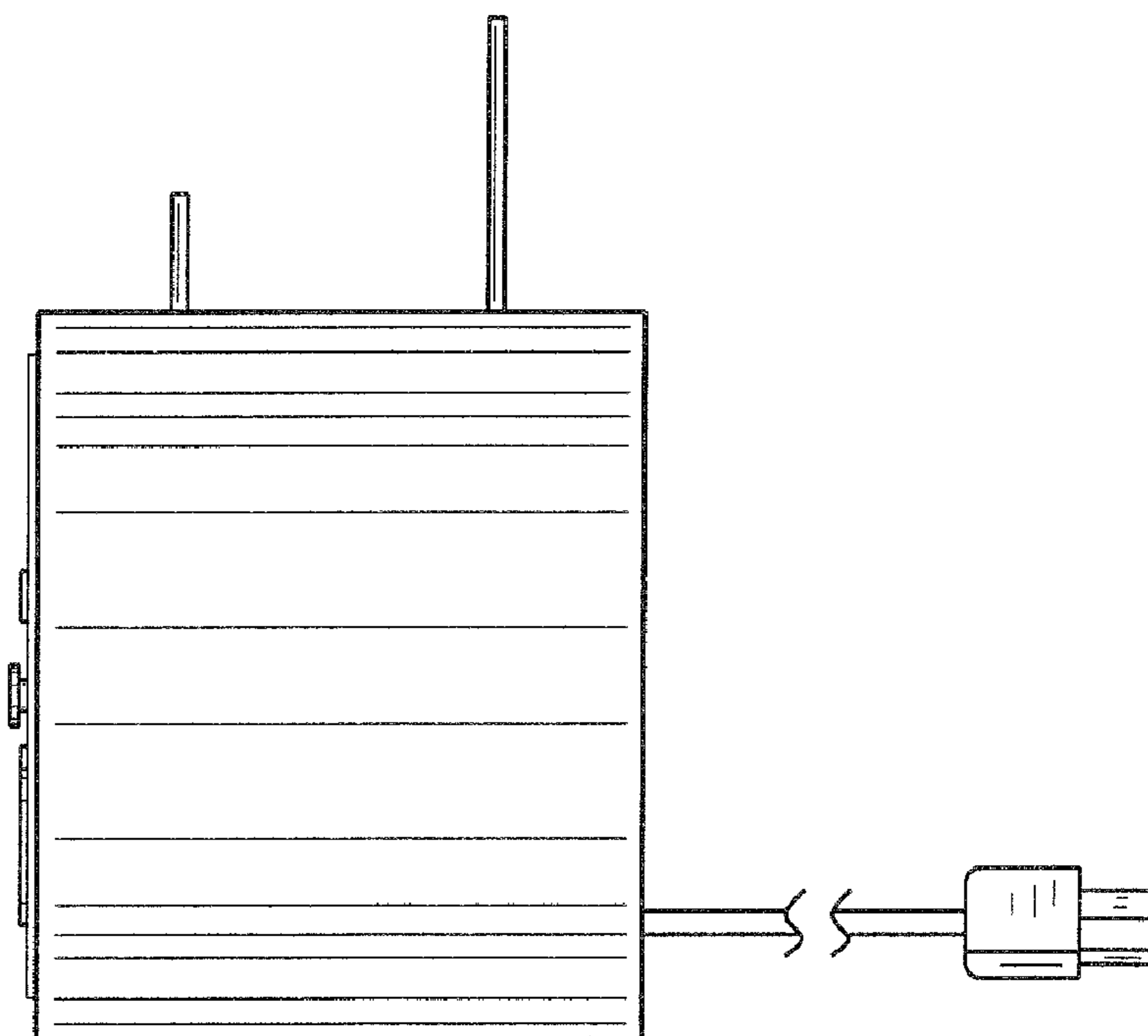


FIG. 5

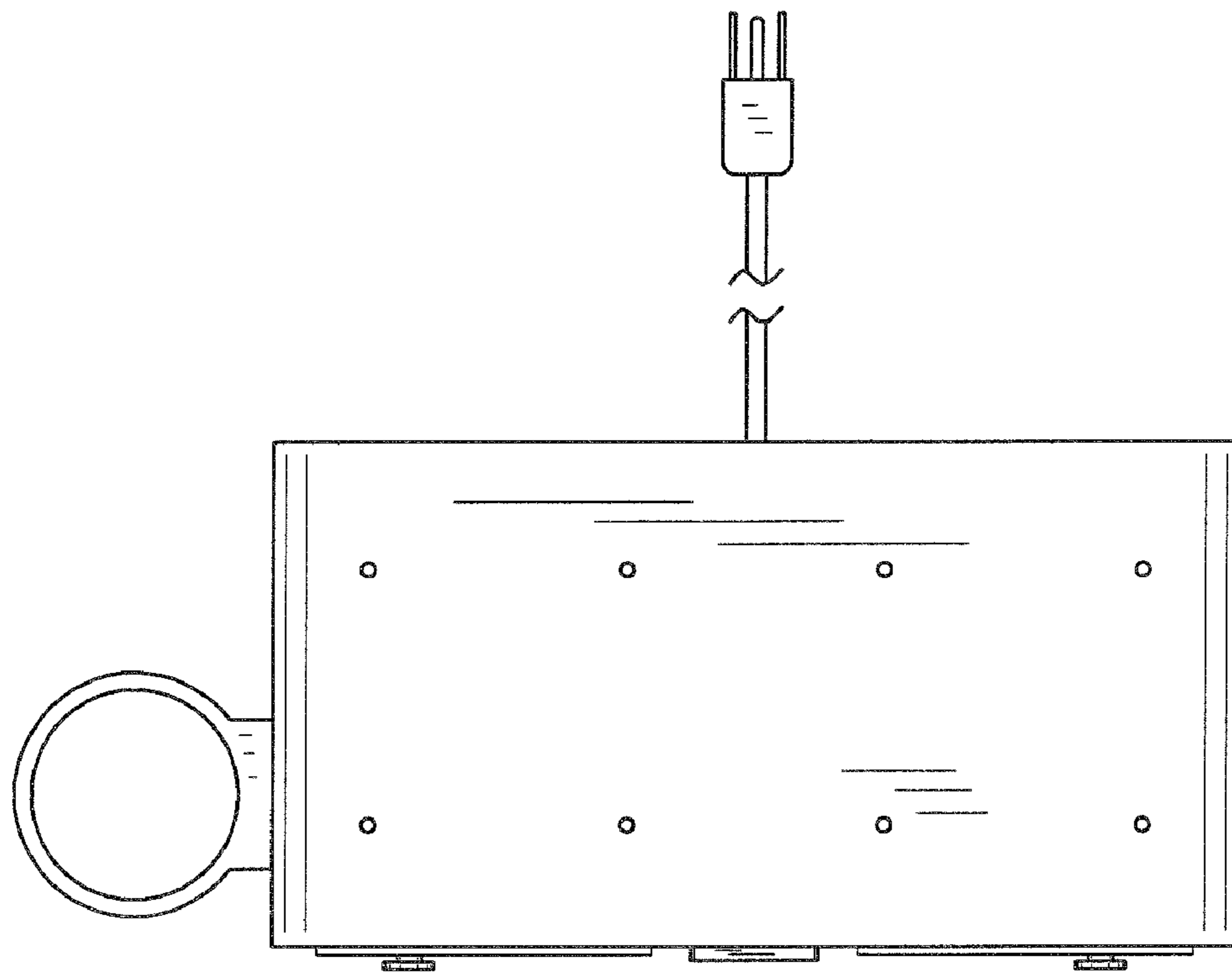


FIG. 6

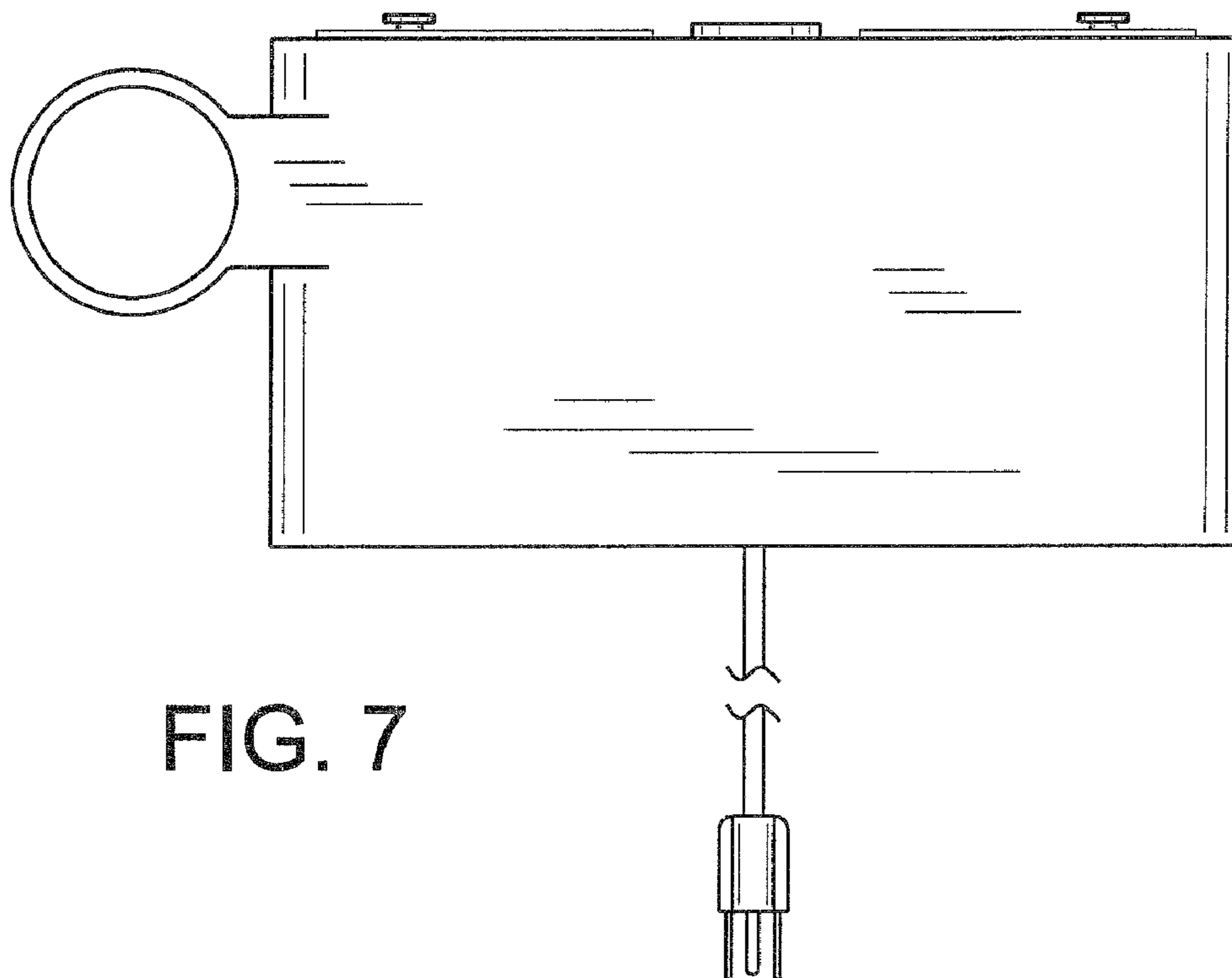


FIG. 7