



US00D598697S

(12) **United States Design Patent**
De Pra'

(10) **Patent No.:** **US D598,697 S**

(45) **Date of Patent:** **** Aug. 25, 2009**

(54) **TOASTER**

(75) Inventor: **Dario De Pra'**, Mirano (IT)

(73) Assignee: **De'Longhi S.p.A.**, Treviso (IT)

(**) Term: **14 Years**

(21) Appl. No.: **29/313,255**

(22) Filed: **Dec. 19, 2008**

(30) **Foreign Application Priority Data**

Jun. 30, 2008 (EM) 000959937

(51) **LOC (9) Cl.** **07-02**

(52) **U.S. Cl.** **D7/330**

(58) **Field of Classification Search** D7/323,
D7/328-333, 340-341, 346, 354-365, 367,
D7/385, 390, 402, 405-411; D13/158, 162,
D13/162.1, 163; 99/326, 331-332, 357,
99/375, 385; 219/214, 388, 405, 443.1, 450.1,
219/492, 532

See application file for complete search history.

(56) **References Cited**

U.S. PATENT DOCUMENTS

D345,074 S * 3/1994 Myers et al. D7/330

D413,224 S * 8/1999 Cruz et al. D7/330

6,205,910 B1 * 3/2001 Vaughn 99/326

D525,474 S * 7/2006 Huang D7/330

* cited by examiner

Primary Examiner—Caron Veynar

Assistant Examiner—Ricky Pham

(74) *Attorney, Agent, or Firm*—Flaster/Greenberg P.C.

(57) **CLAIM**

The ornamental design for a toaster, as shown and described.

DESCRIPTION

FIG. 1 is a perspective view of a toaster;

FIG. 2 is a front view of the toaster;

FIG. 3 is a rear view of the toaster;

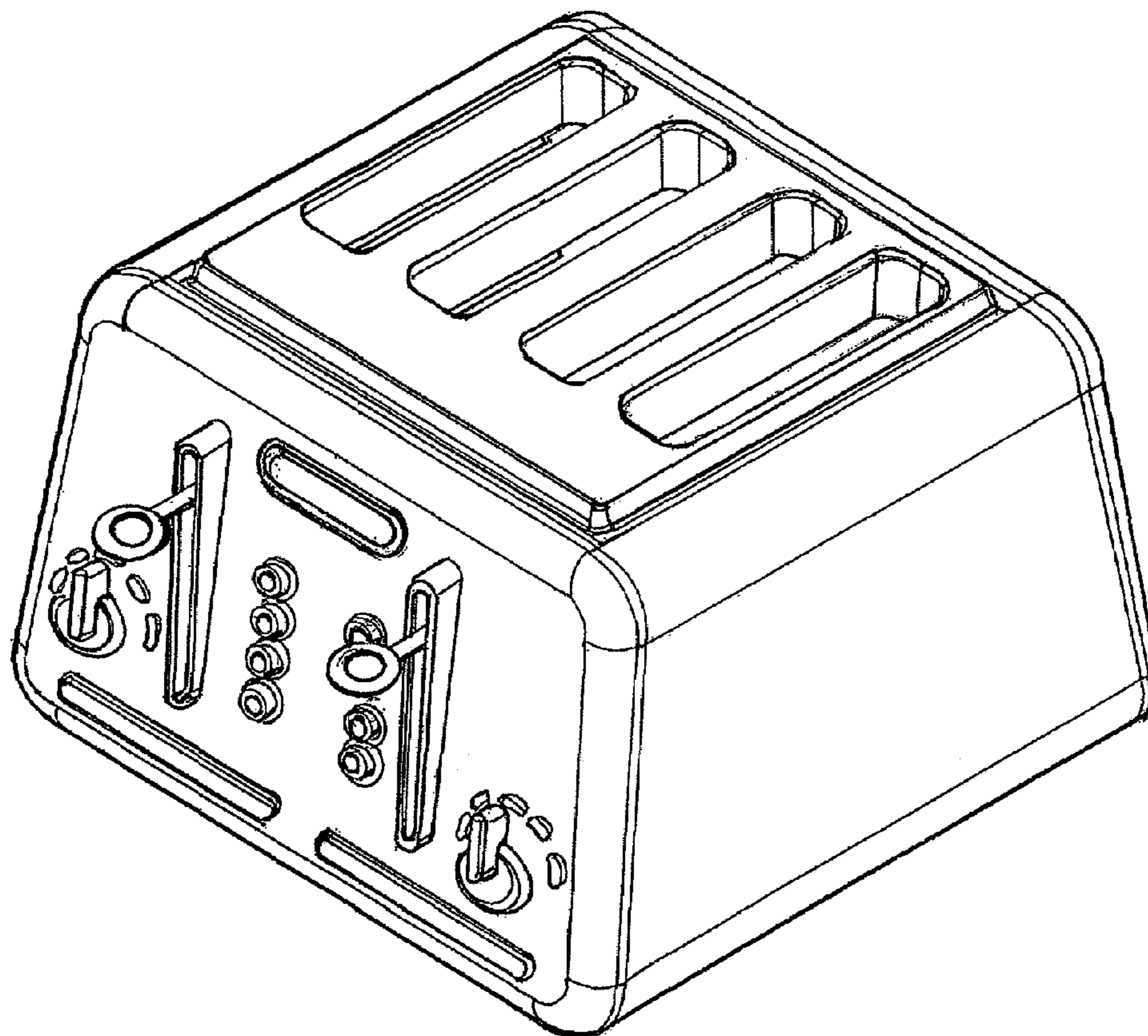
FIG. 4 is a right side view of the toaster;

FIG. 5 is a left side view of the toaster;

FIG. 6 is a top plan view of the toaster; and,

FIG. 7 is a bottom plan view of the toaster.

1 Claim, 4 Drawing Sheets



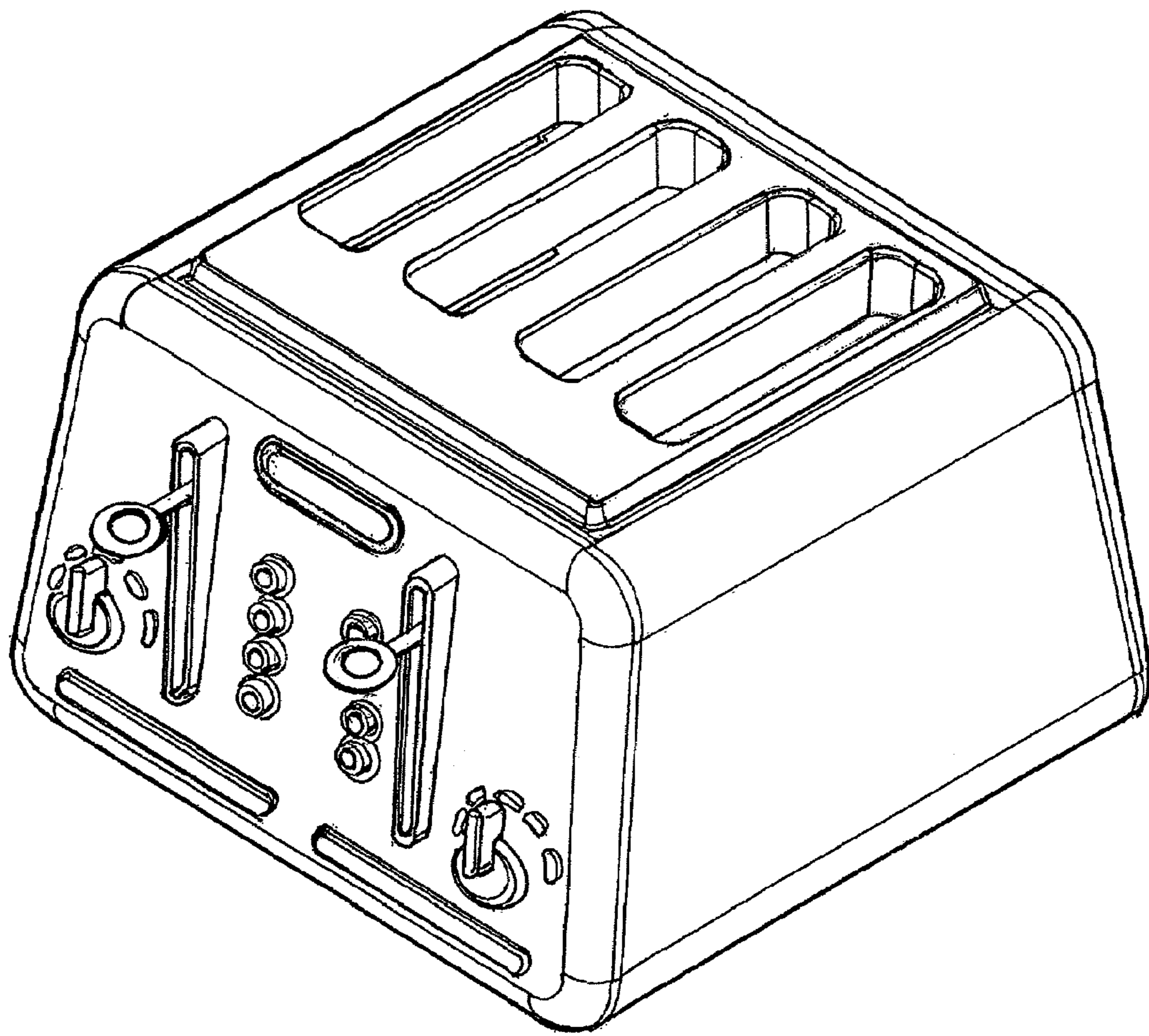


FIG. 1

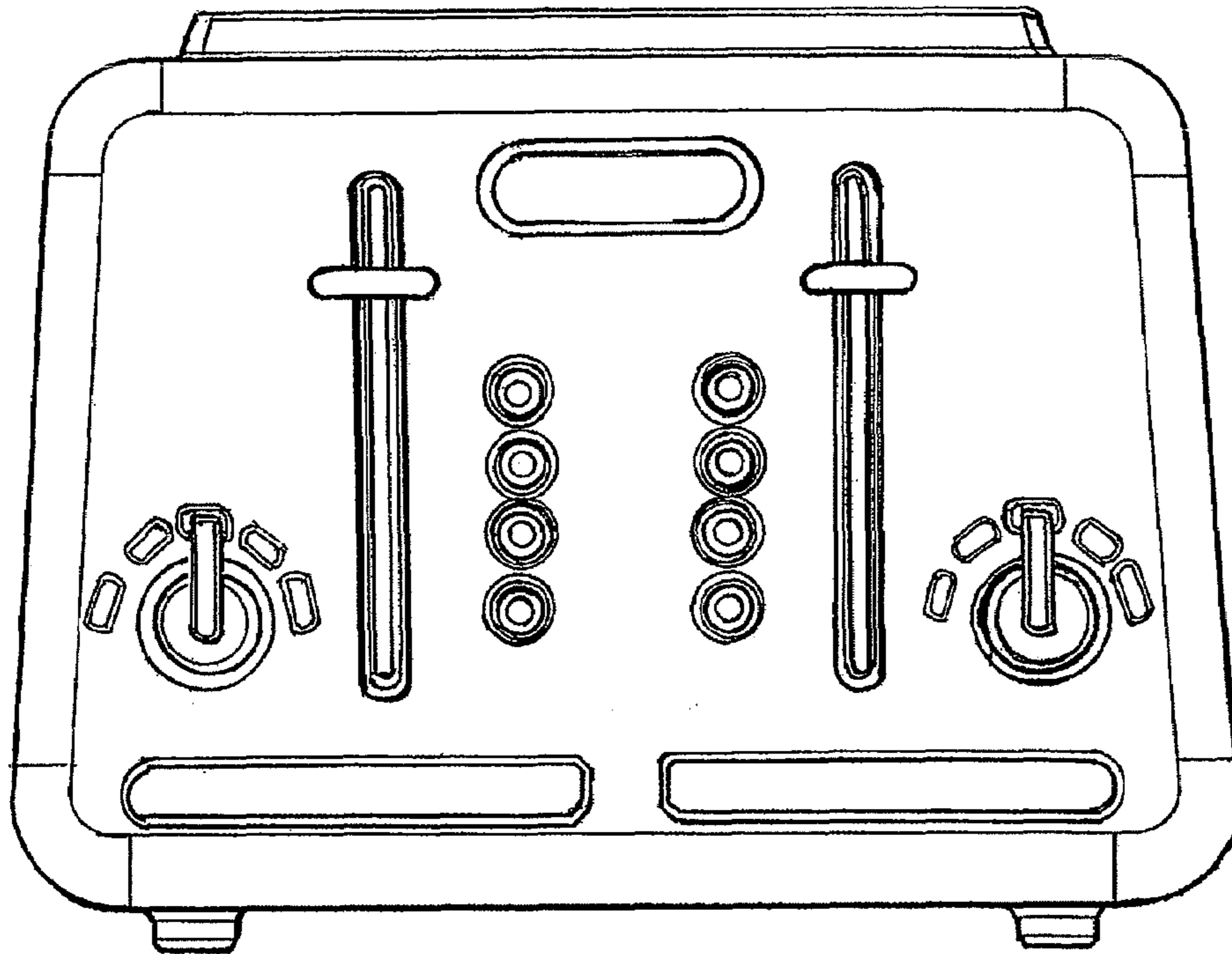


FIG. 2

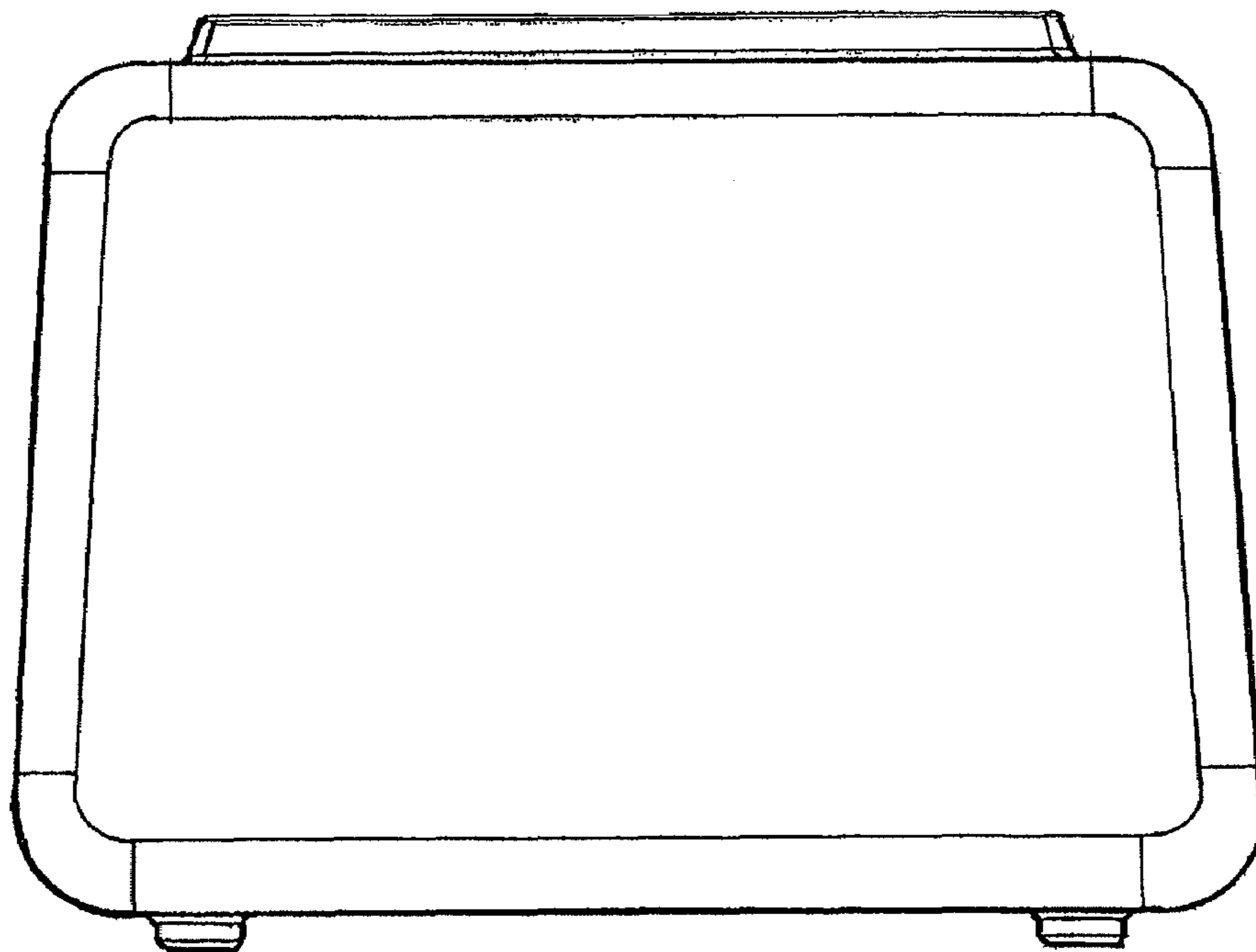


FIG. 3

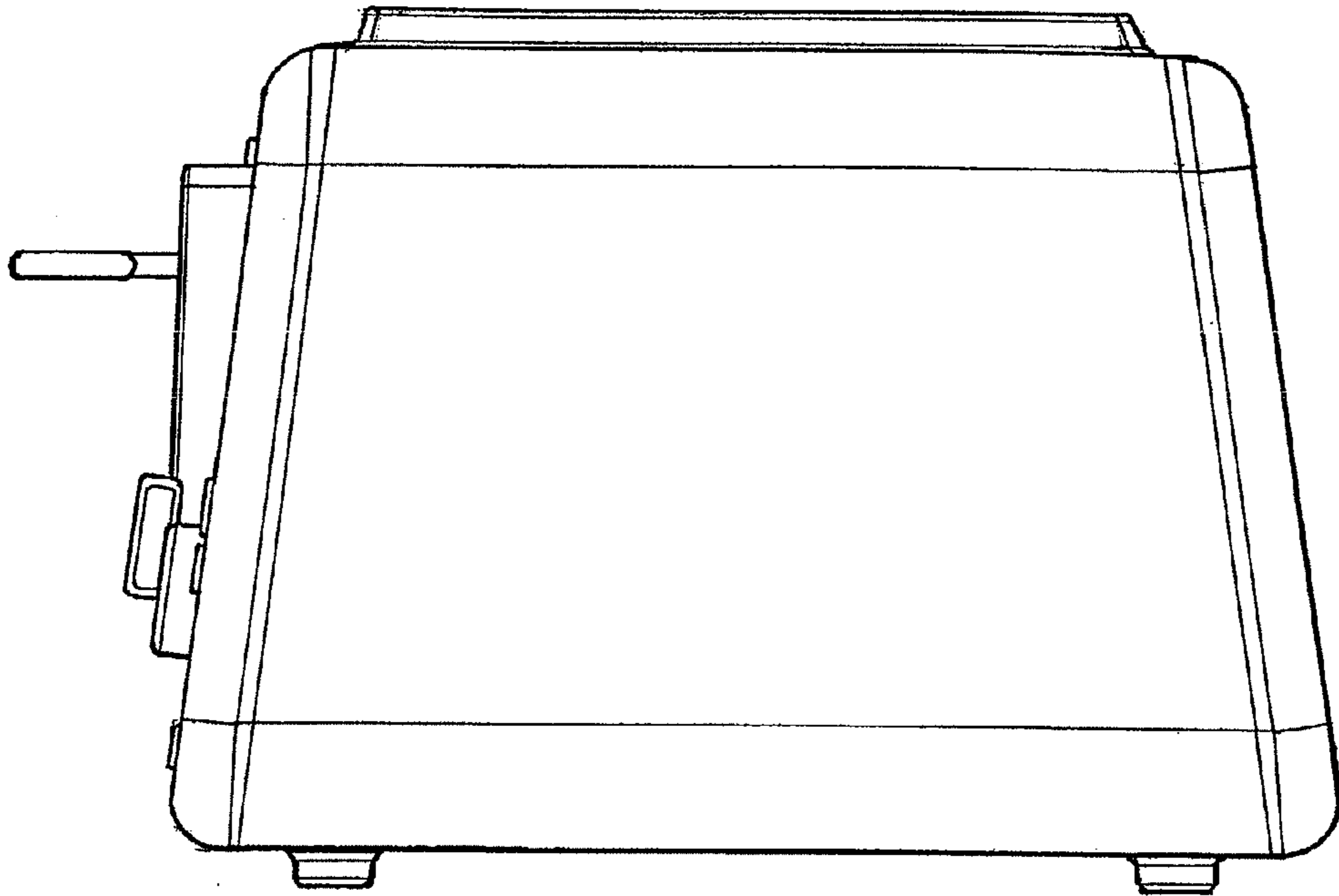


FIG. 4

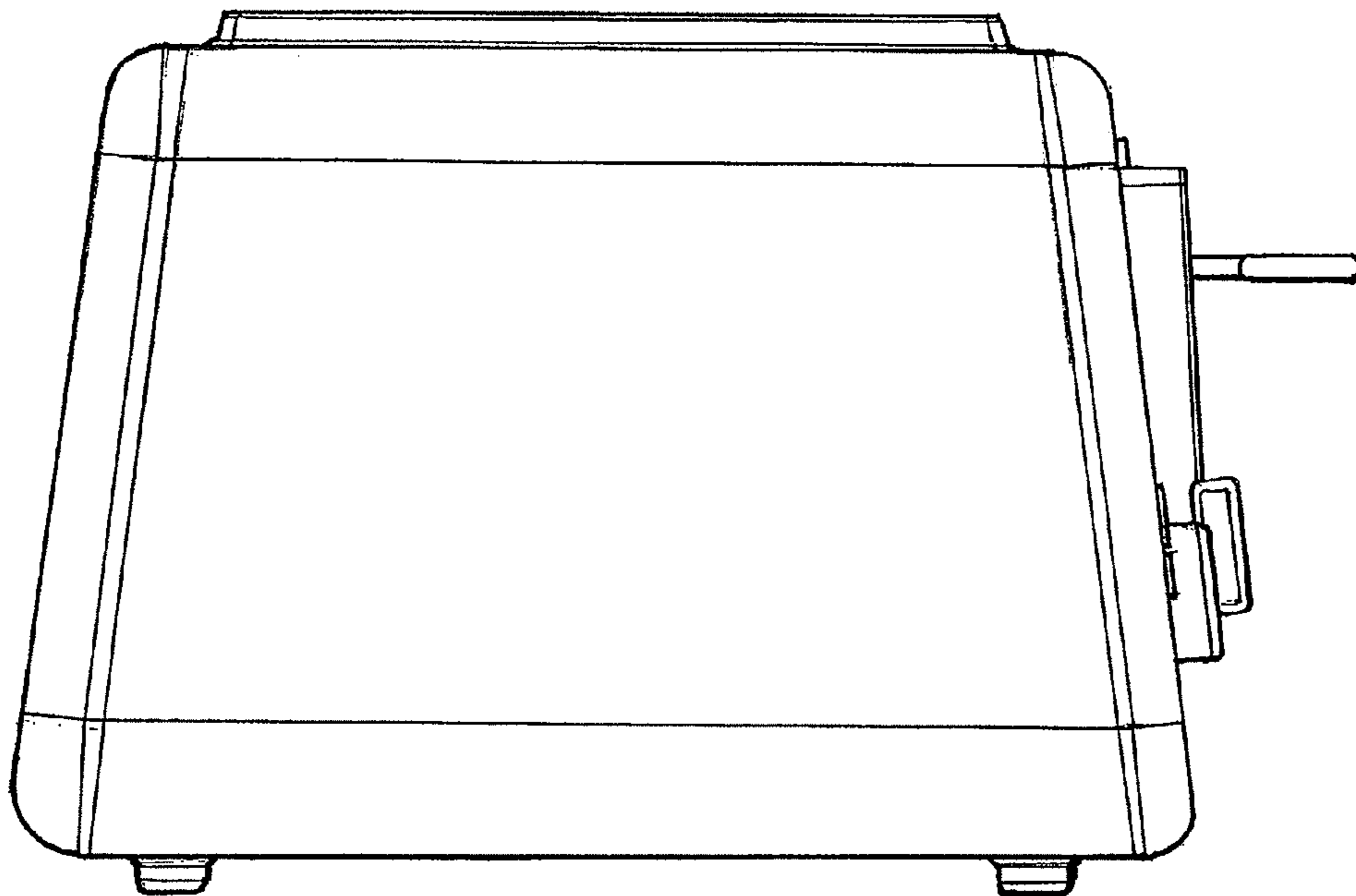


FIG. 5

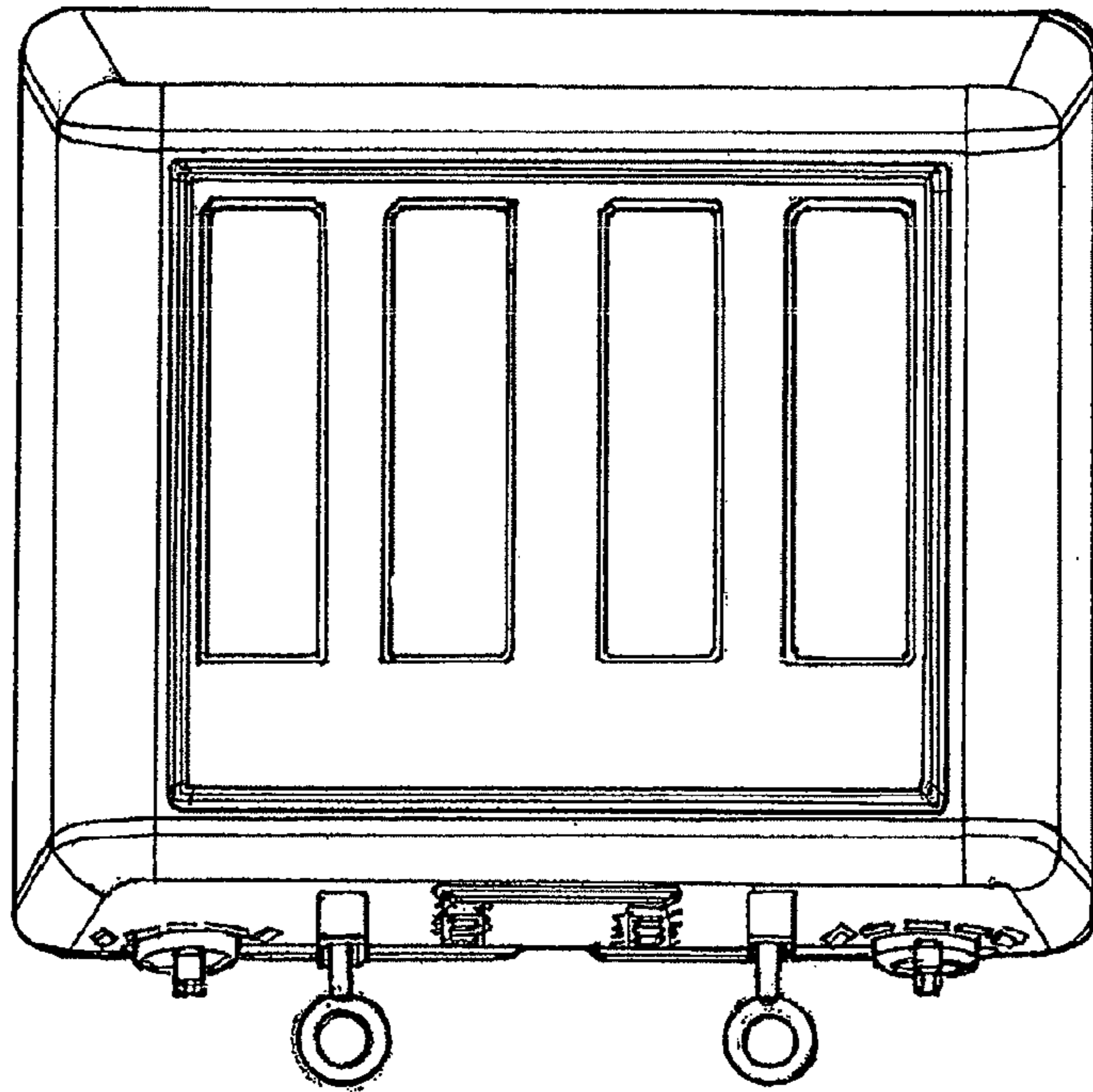


FIG. 6

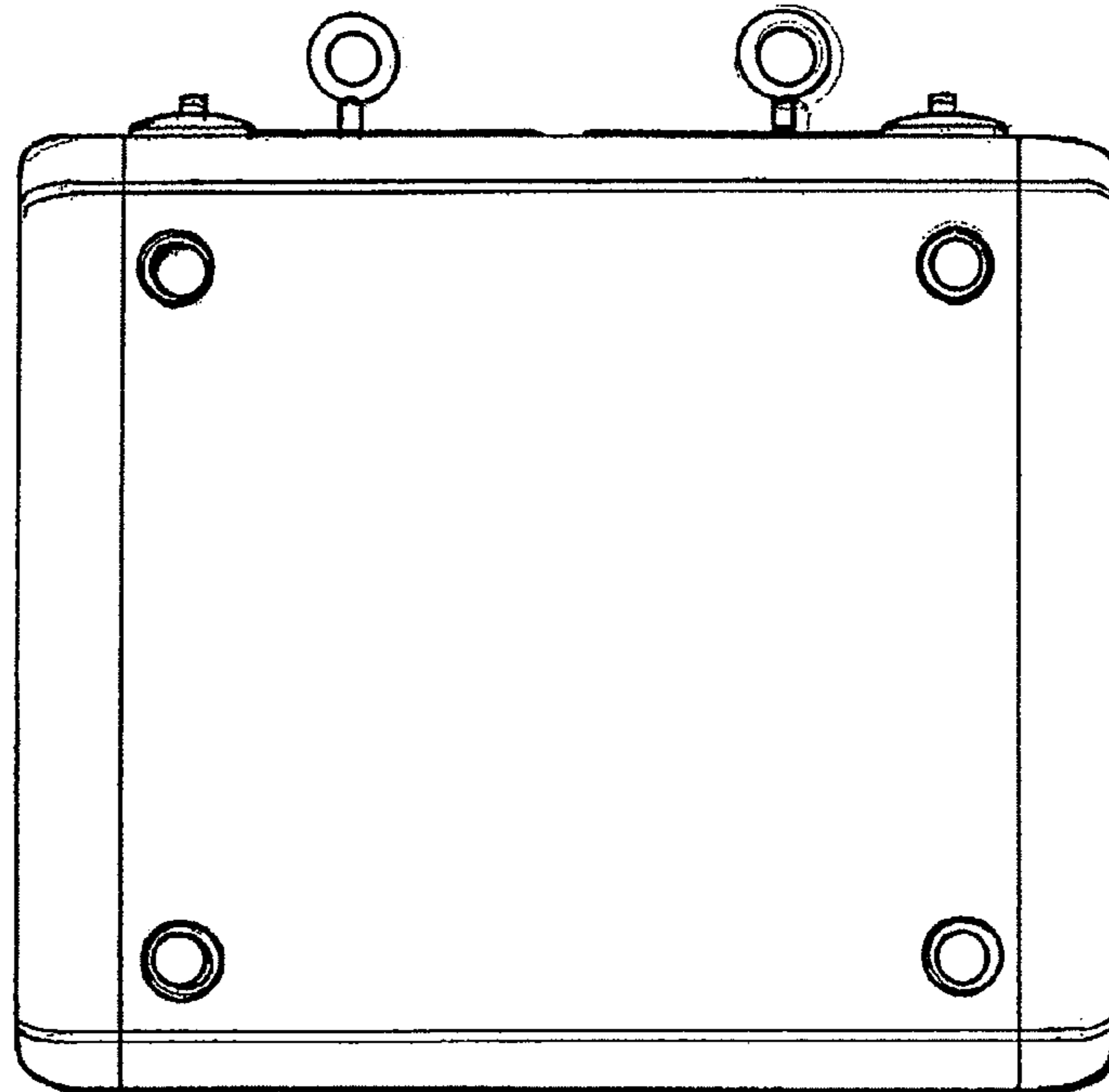


FIG. 7