



US00D598694S

(12) **United States Design Patent**
Picozza et al.

(10) **Patent No.:** **US D598,694 S**
(45) **Date of Patent:** **** Aug. 25, 2009**

(54) **ESPRESSO MAKER**

(75) Inventors: **Augusto Picozza**, Boca Raton, FL (US);
Christopher Jones, San Francisco, CA
(US); **Adam Leonard**, El Cerrito, CA
(US); **Remy Labesque**, Glen Ellen, CA
(US)

(73) Assignee: **Sunbeam Products, Inc.**, Boca Raton,
FL (US)

(**) Term: **14 Years**

(21) Appl. No.: **29/323,711**

(22) Filed: **Aug. 29, 2008**

(51) **LOC (9) Cl.** **07-01**

(52) **U.S. Cl.** **D7/309; D7/311**

(58) **Field of Classification Search** **D7/300,**
D7/397, 398, 306-311; 99/279.298, 300,
99/285

See application file for complete search history.

(56) **References Cited**

U.S. PATENT DOCUMENTS

4,951,556 A *	8/1990	Ng	99/285
D313,724 S *	1/1991	Pinon	D7/308
D449,489 S *	10/2001	Trazzi	D7/309
D500,425 S *	1/2005	Furia	D7/309
D586,170 S *	2/2009	Jordana	D7/309

* cited by examiner

Primary Examiner—Marianne Pandozzi
(74) *Attorney, Agent, or Firm*—Seth M. Blum

(57) **CLAIM**

The ornamental design for an espresso maker, as shown and described.

DESCRIPTION

FIG. 1 is a front right perspective view of the espresso maker showing the new design;

FIG. 2 is a front elevation view thereof;

FIG. 3 is a left side elevation view thereof;

FIG. 4 is a rear elevation view thereof;

FIG. 5 is a right side elevation view thereof;

FIG. 6 is a top plan view thereof;

FIG. 7 is a front right perspective view of the espresso maker of FIG. 1 having all the dashed lines removed;

FIG. 8 is a front elevation view of FIG. 7;

FIG. 9 is a left side elevation view of FIG. 7;

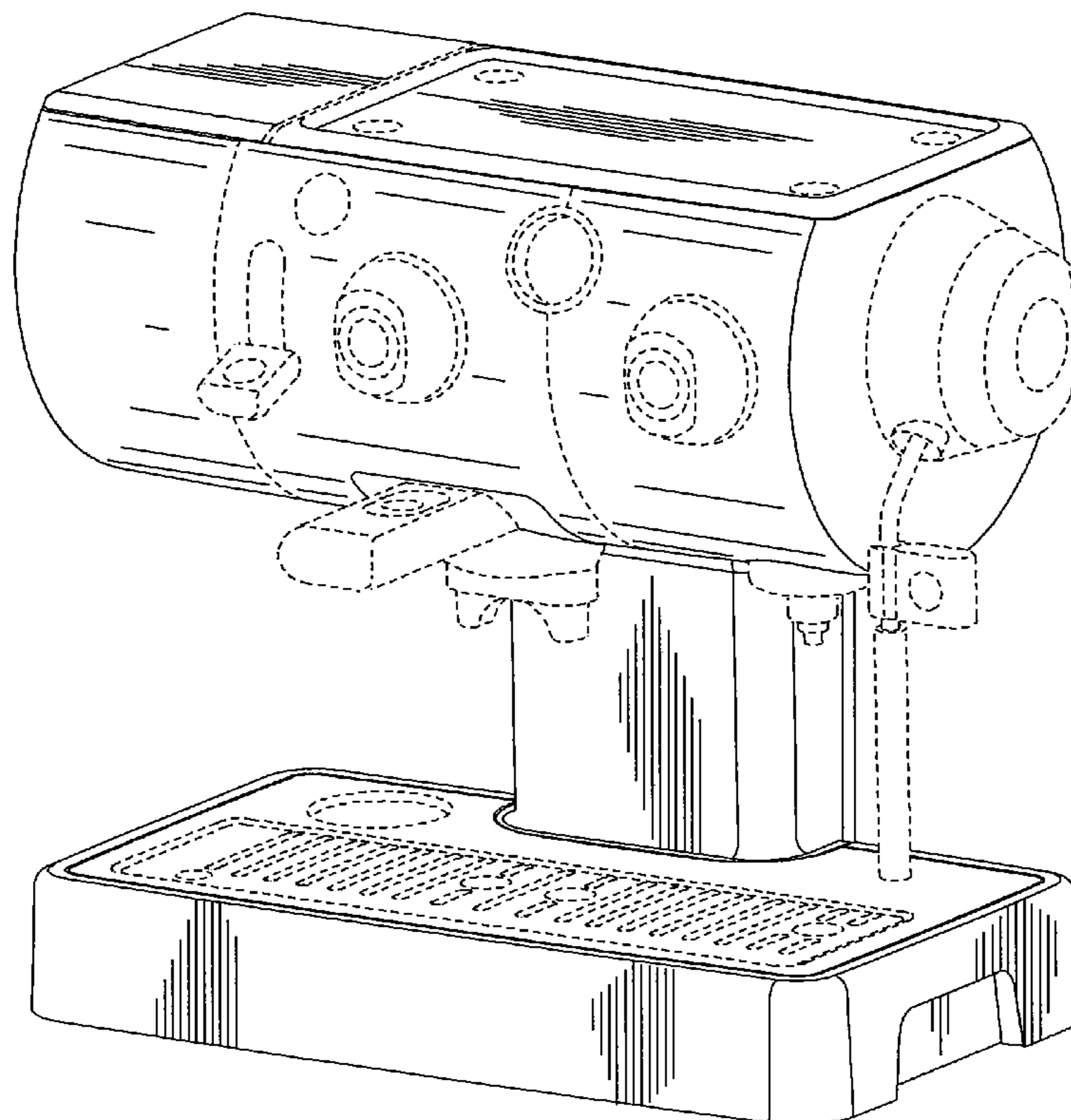
FIG. 10 is a rear elevation view of FIG. 7;

FIG. 11 is a right side elevation view of FIG. 7; and,

FIG. 12 is a top plan view of FIG. 7.

The broken lines in the drawings are for illustrative purposes only and form no part of the claimed design.

1 Claim, 12 Drawing Sheets



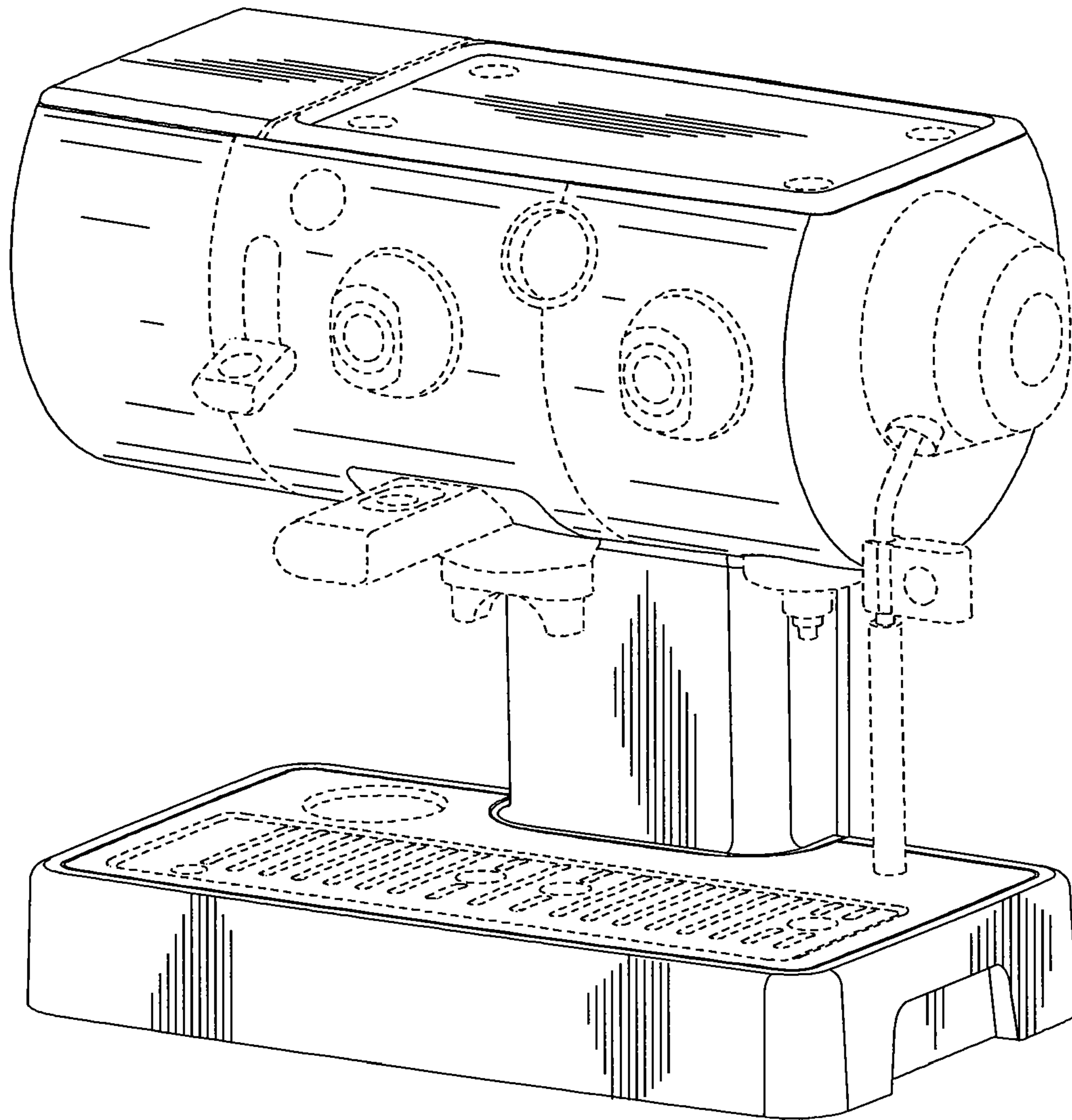


FIG 1

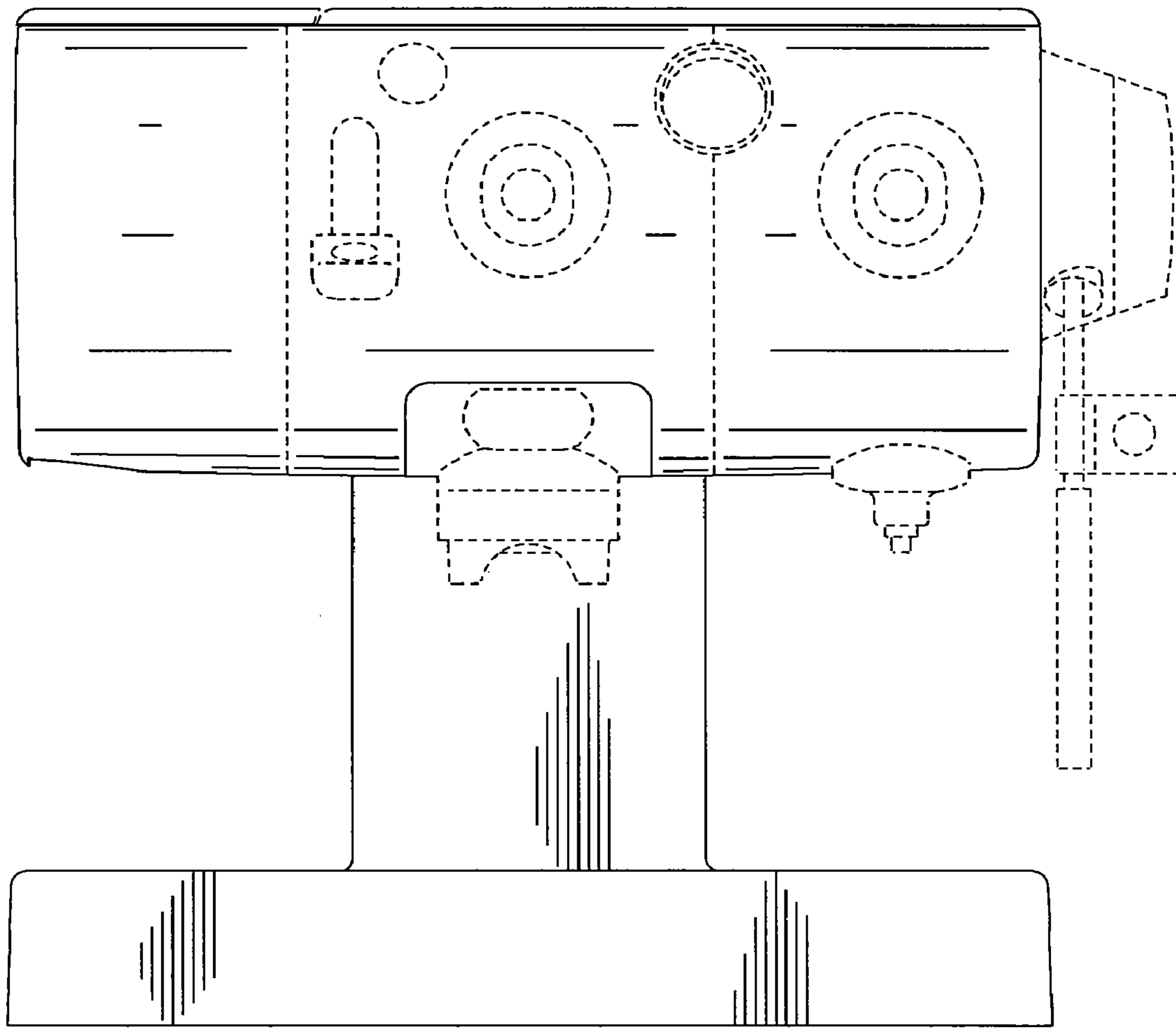


FIG 2

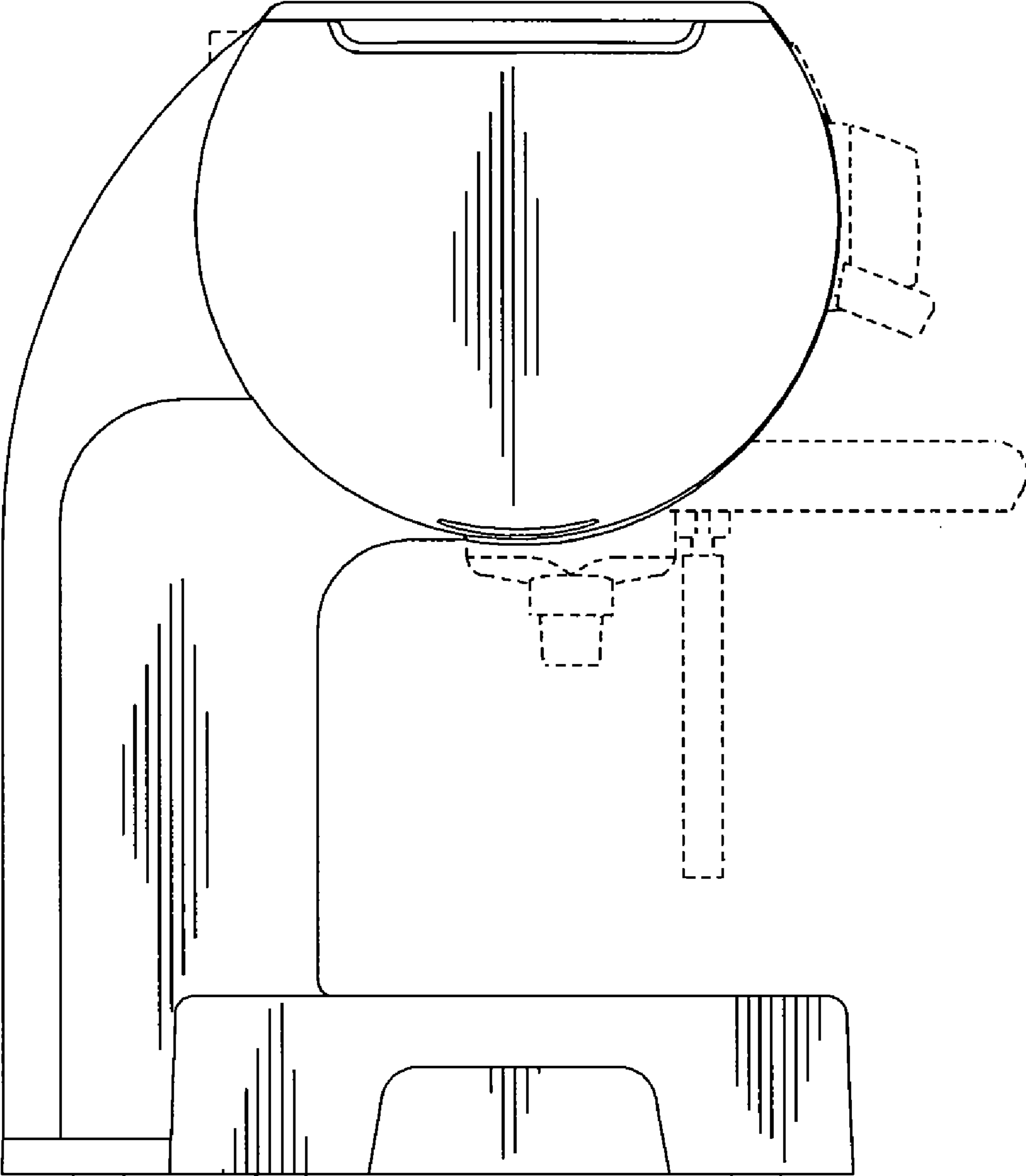


FIG 3

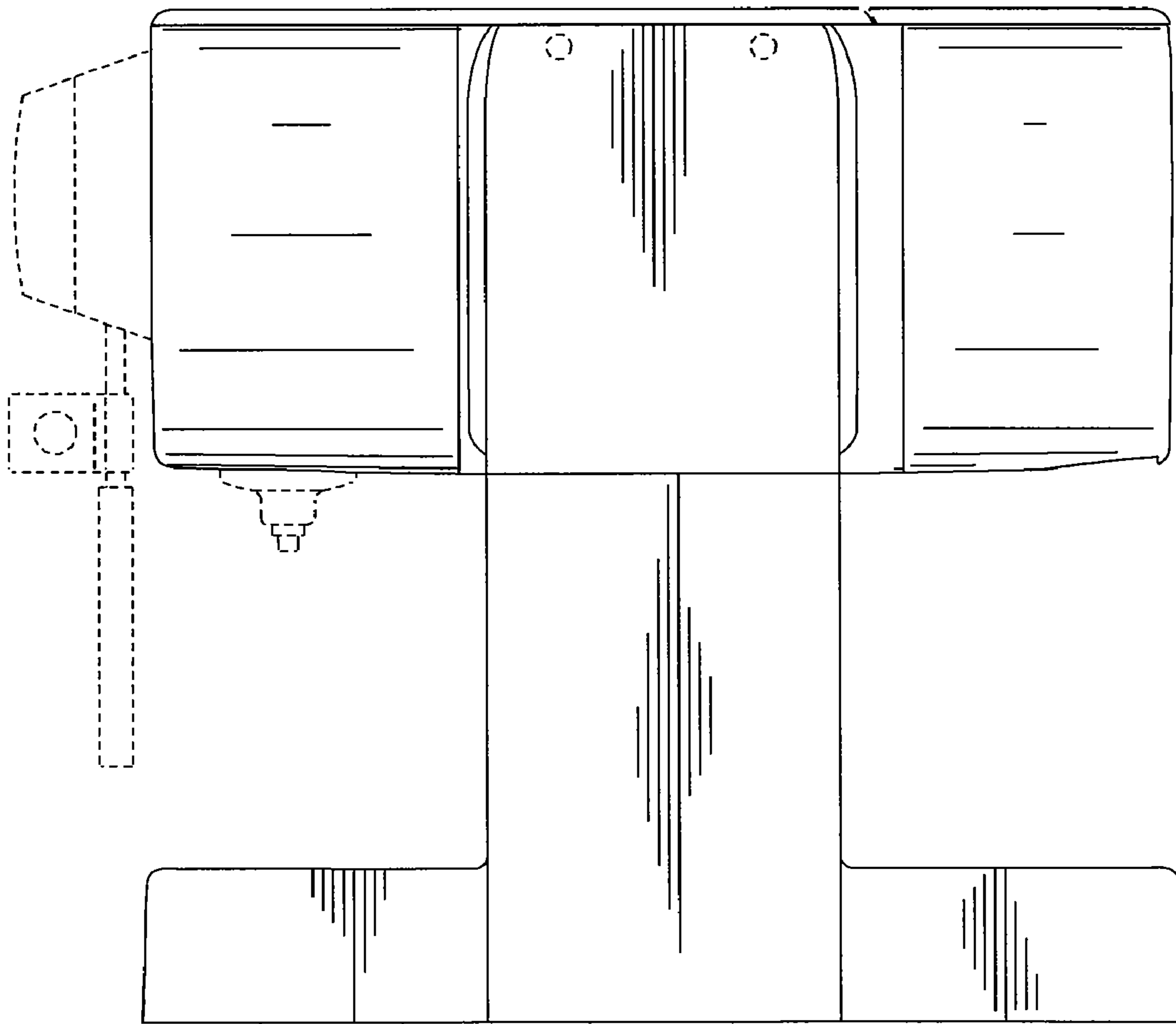


FIG 4

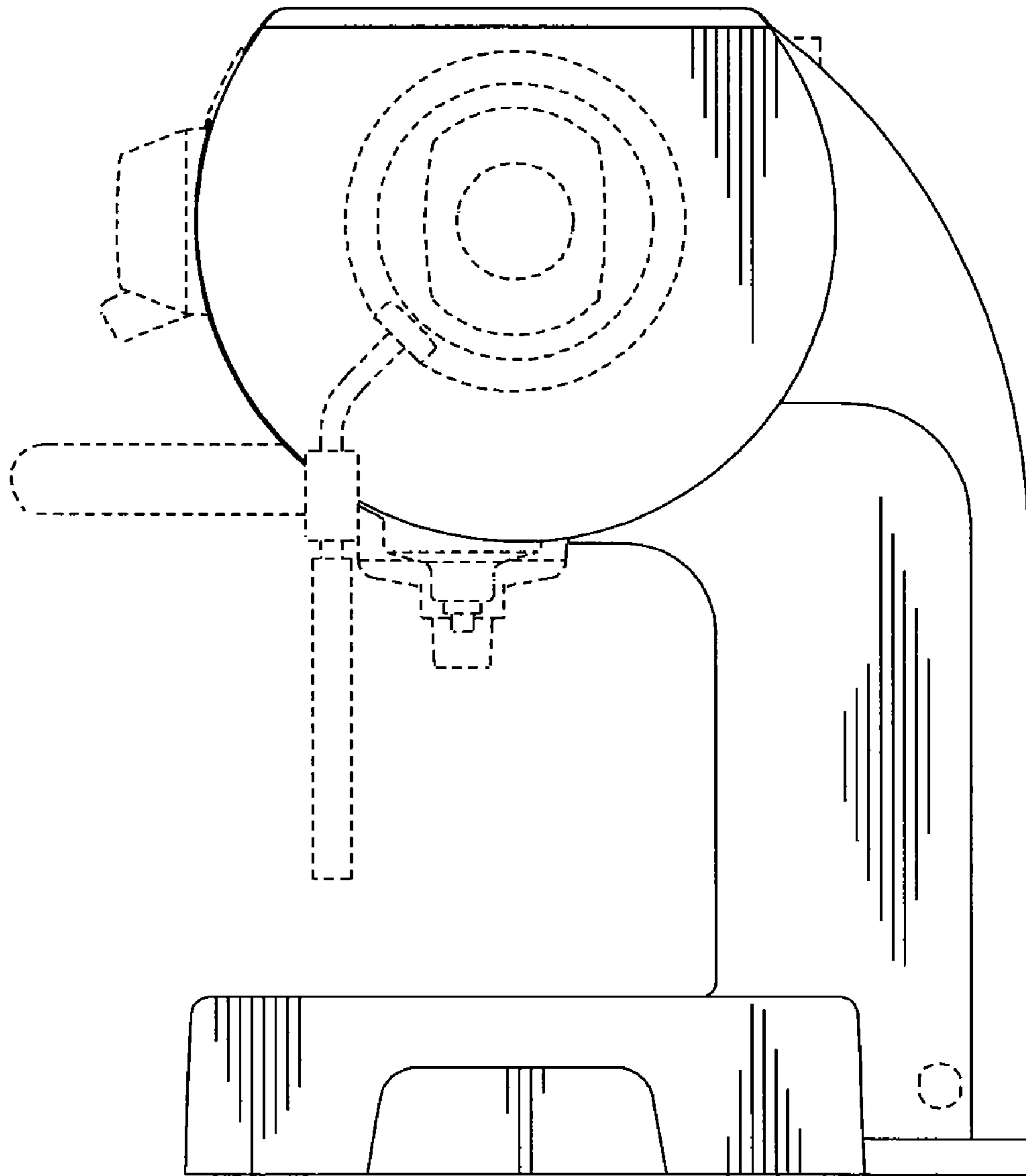


FIG 5

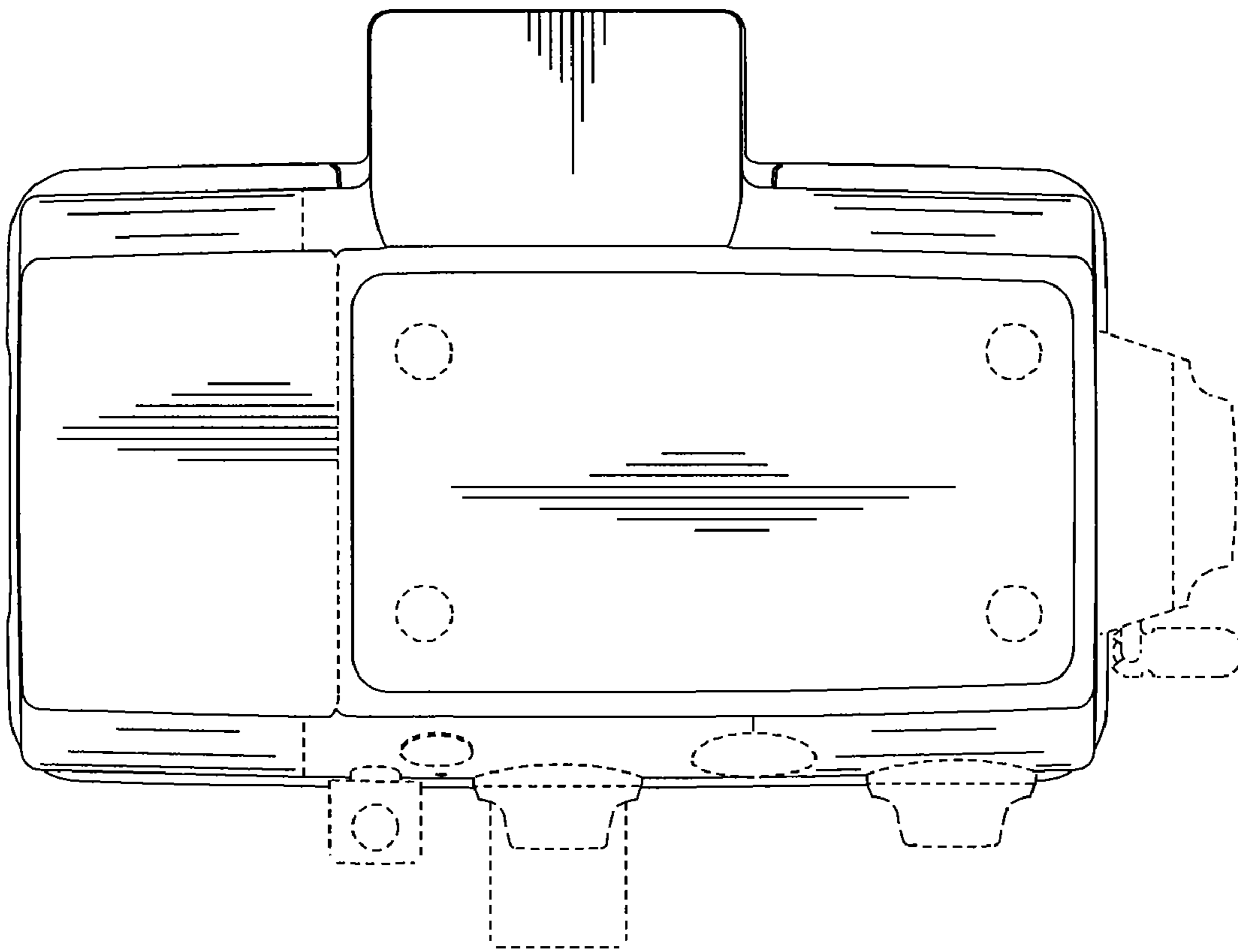


FIG 6

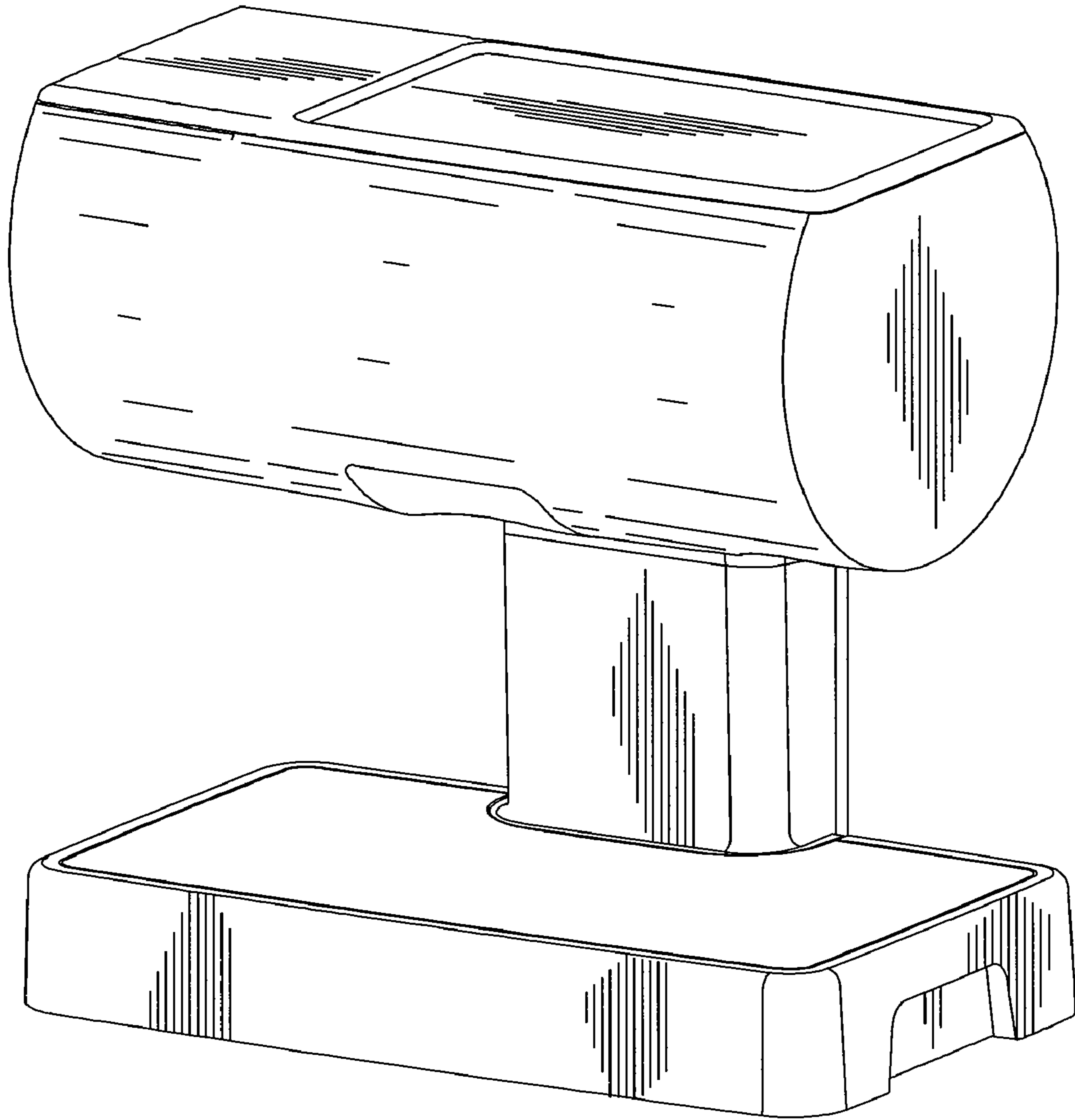


FIG 7

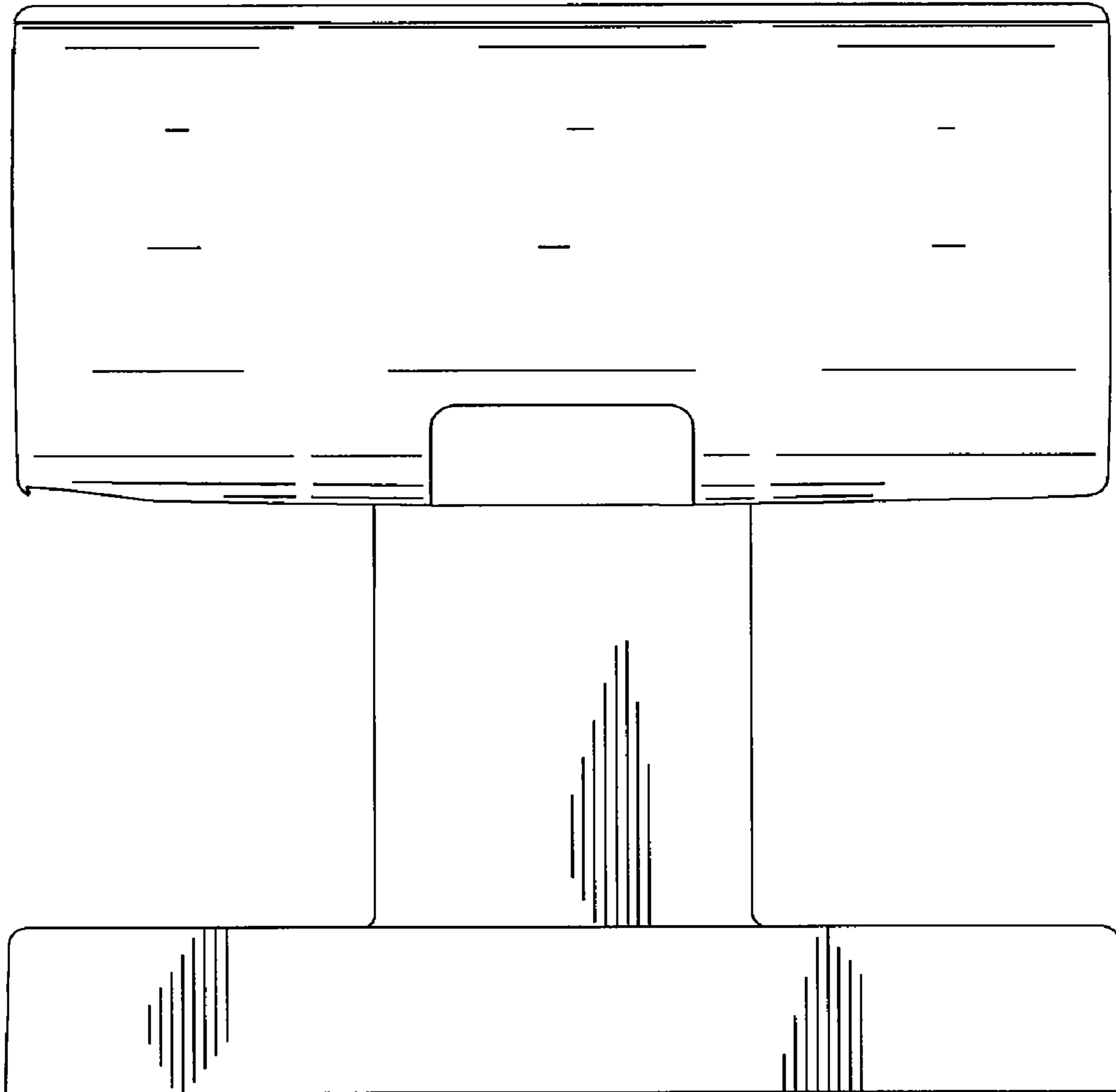


FIG 8

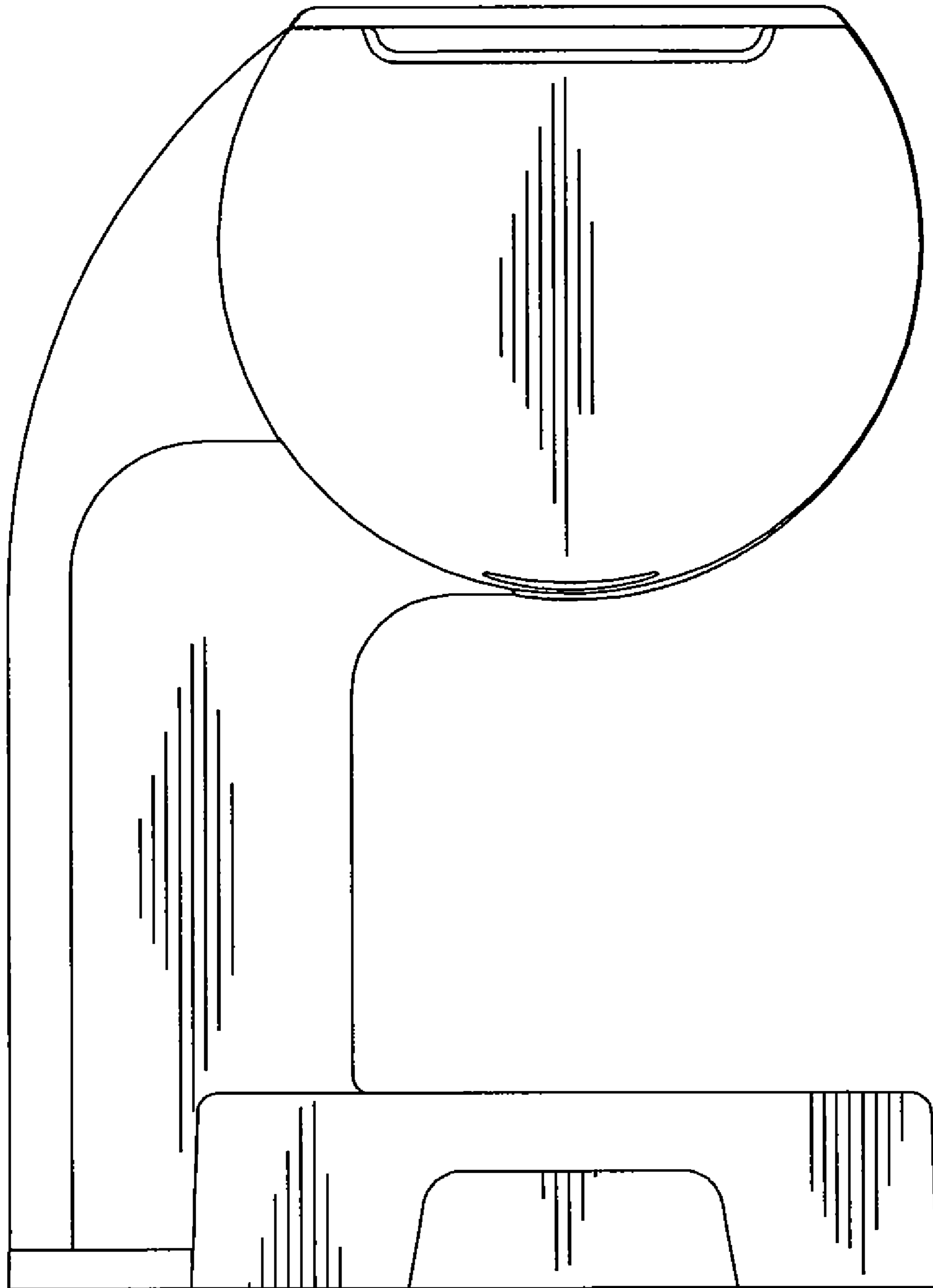


FIG 9

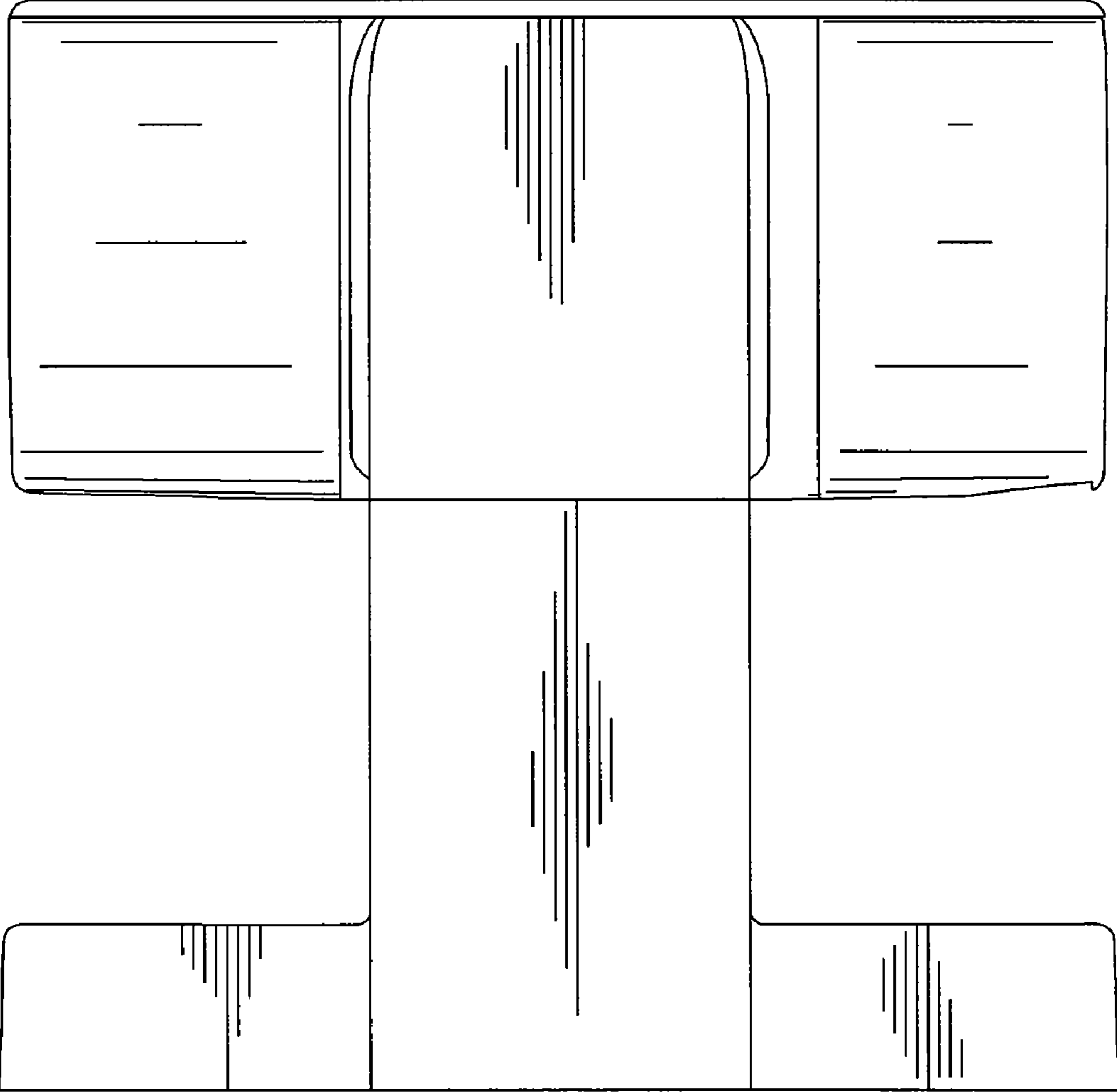


FIG 10

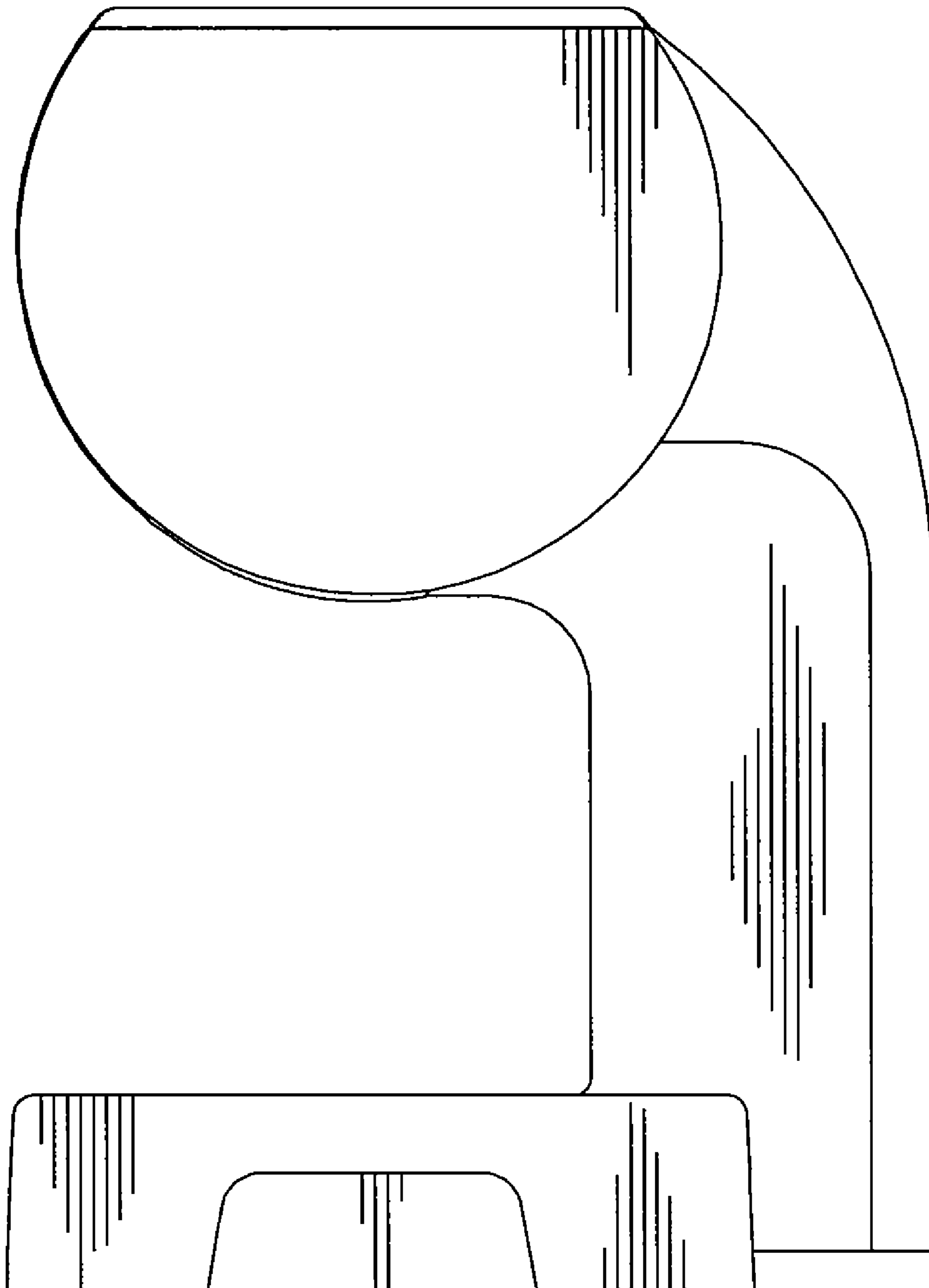


FIG 11

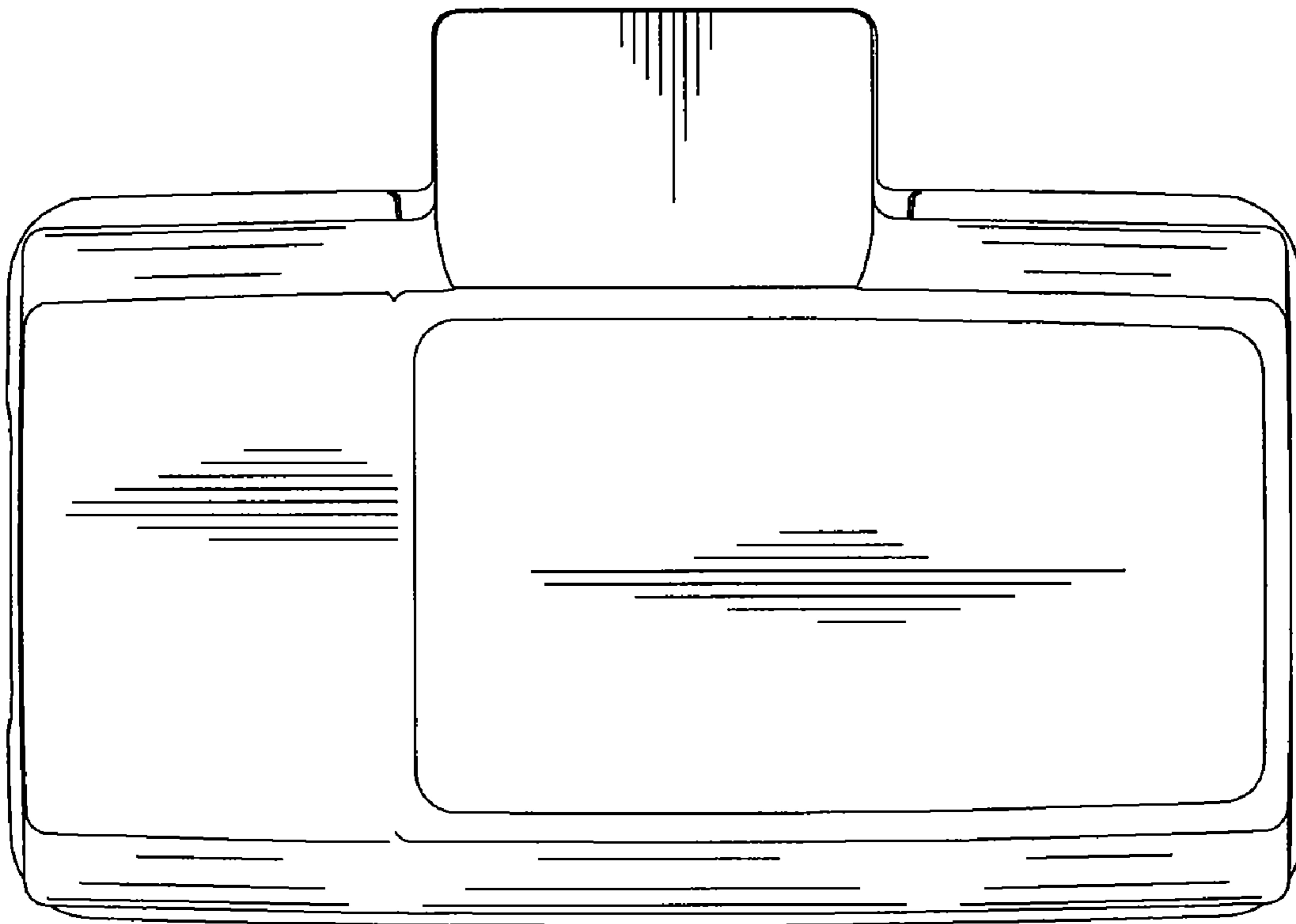


FIG 12