



US00D598693S

(12) **United States Design Patent**  
**Kindler et al.**

(10) **Patent No.:** **US D598,693 S**

(45) **Date of Patent:** **\*\* Aug. 25, 2009**

(54) **COFFEE MAKER**

(75) Inventors: **Michael Kindler**, Darmstadt (DE);  
**Guido Metz**, Gross-Ostheim (DE)

(73) Assignee: **alfi GmbH Isoliergefaesse Metall- und  
Haushaltswaren**, Wertheim (DE)

(\*\*) Term: **14 Years**

(21) Appl. No.: **29/322,448**

(22) Filed: **Aug. 5, 2008**

(30) **Foreign Application Priority Data**

Feb. 6, 2008 (EM) ..... 000886999

(51) **LOC (9) Cl.** ..... **07-01**

(52) **U.S. Cl.** ..... **D7/309; D7/306; D7/311**

(58) **Field of Classification Search** ..... D7/300,  
D7/306-308, 309-311; D15/80; D20/4;  
99/295, 293, 323.1, 279

See application file for complete search history.

(56) **References Cited**

**U.S. PATENT DOCUMENTS**

D335,498 S \* 5/1993 Kolada et al. .... D15/80  
D431,751 S \* 10/2000 Cahen ..... D7/309  
D453,088 S \* 1/2002 Bell et al. .... D7/307

D486,345 S \* 2/2004 Schwamkrug ..... D7/309  
D486,346 S \* 2/2004 Jonsson ..... D7/309  
D523,279 S \* 6/2006 Zemp ..... D7/309  
D526,828 S \* 8/2006 Jordana ..... D7/309  
D536,917 S \* 2/2007 McWilliam ..... D7/309  
D581,716 S \* 12/2008 Harris, III ..... D7/307  
D584,096 S \* 1/2009 Lutz ..... D7/307  
D586,603 S \* 2/2009 Borin ..... D7/309

\* cited by examiner

*Primary Examiner*—Marianne Pandozzi

(74) *Attorney, Agent, or Firm*—David S. Safran; Roberts  
Mlotkowski Safran & Cole, P.C.

(57) **CLAIM**

The ornamental design for a coffee maker, as shown in the  
accompanying drawings.

**DESCRIPTION**

FIG. 1 is a top right perspective view of a coffee maker  
showing my new design;

FIG. 2 is a right perspective view thereof;

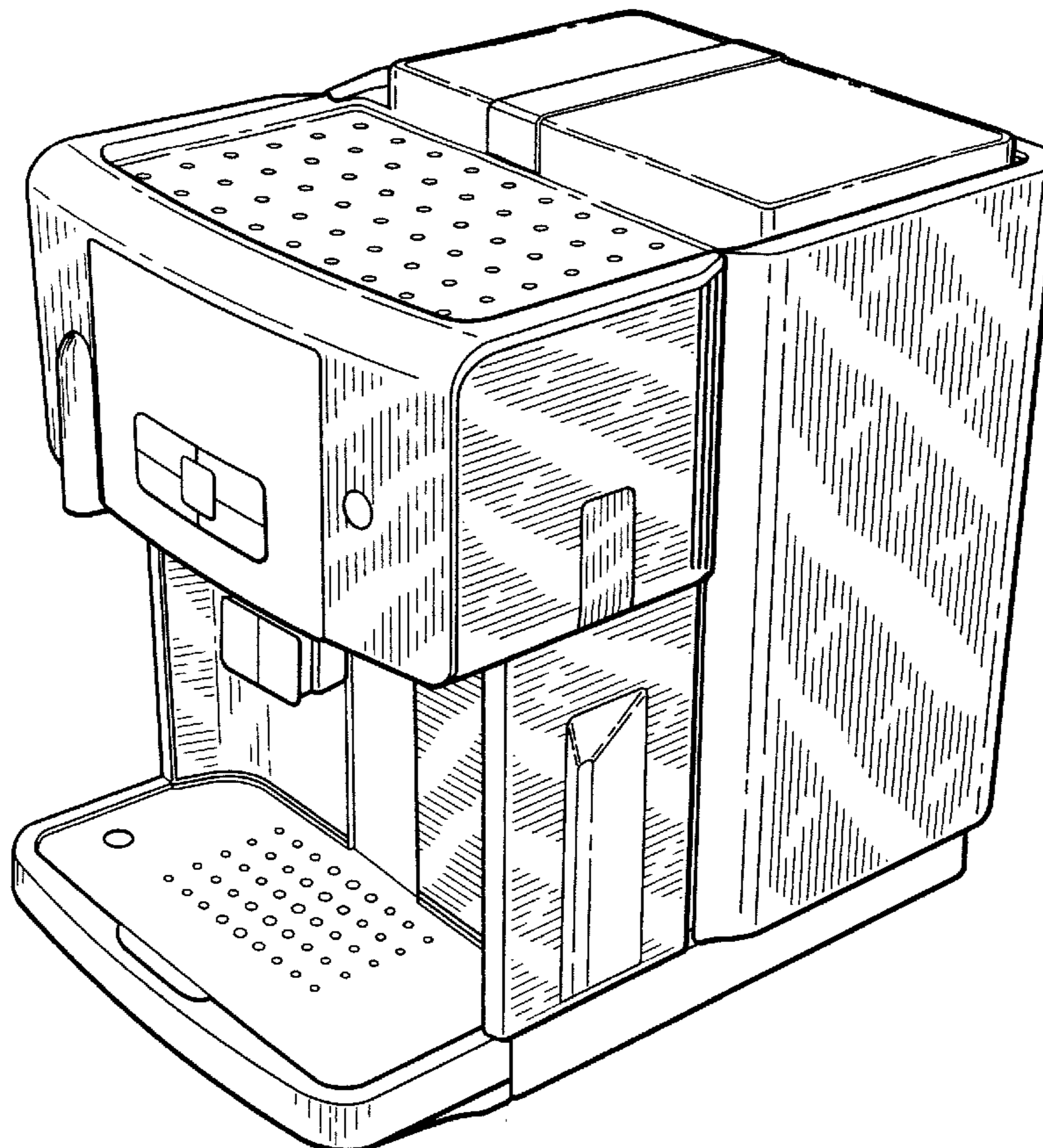
FIG. 3 is a front elevational view thereof;

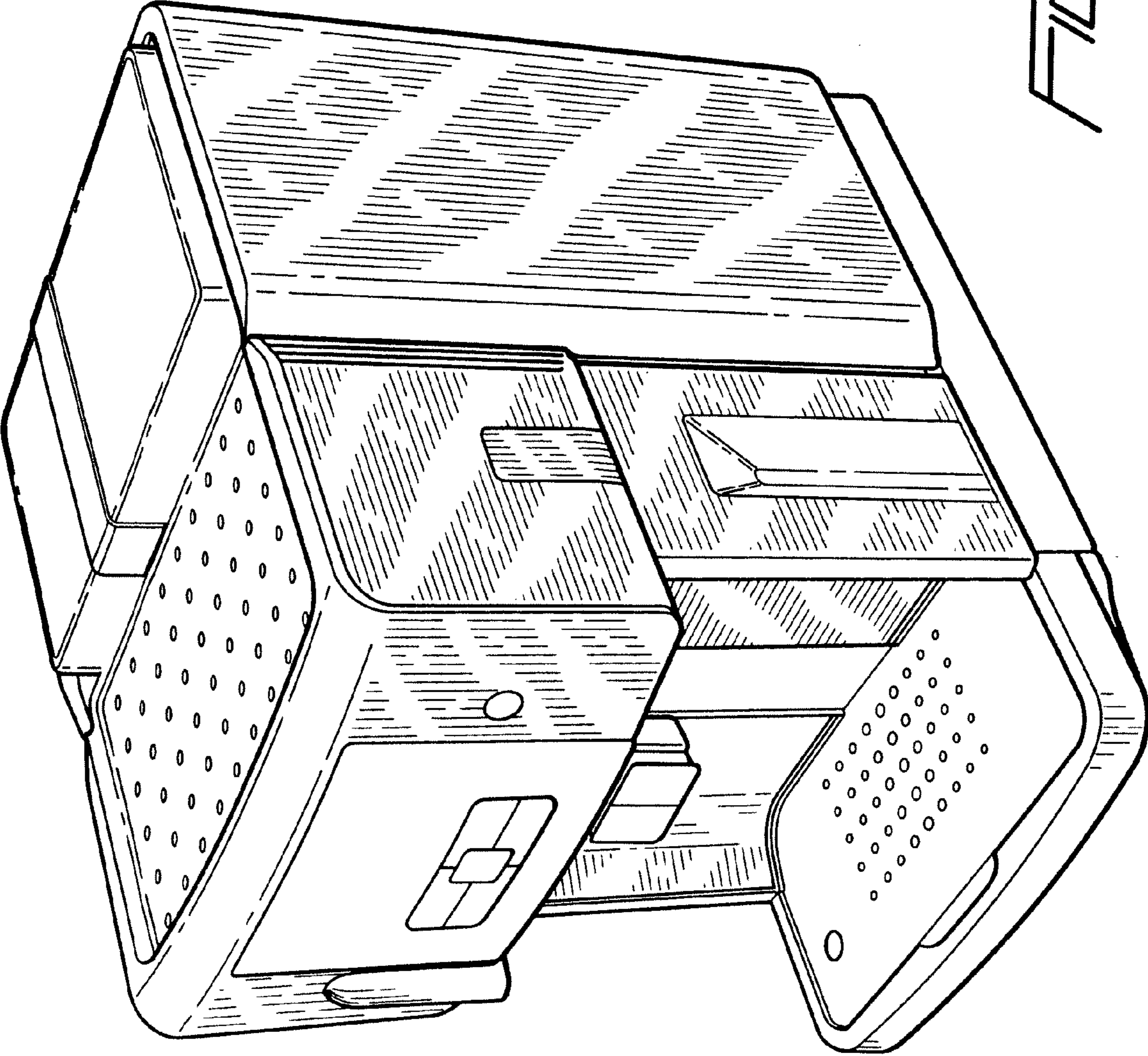
FIG. 4 is a left side elevational view thereof;

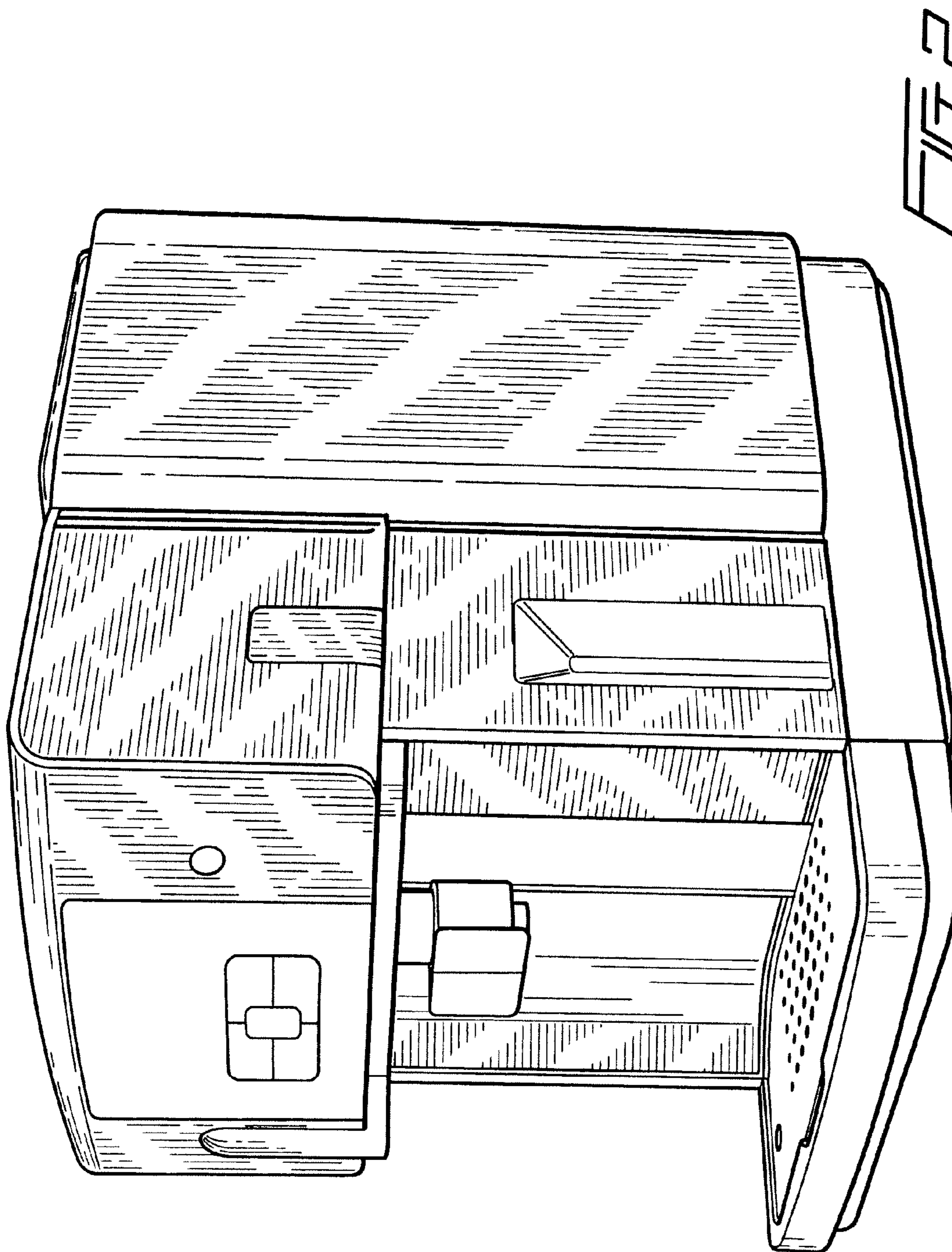
FIG. 5 is a right side elevational view thereof; and,

FIG. 6 is a rear elevational view thereof.

**1 Claim, 5 Drawing Sheets**







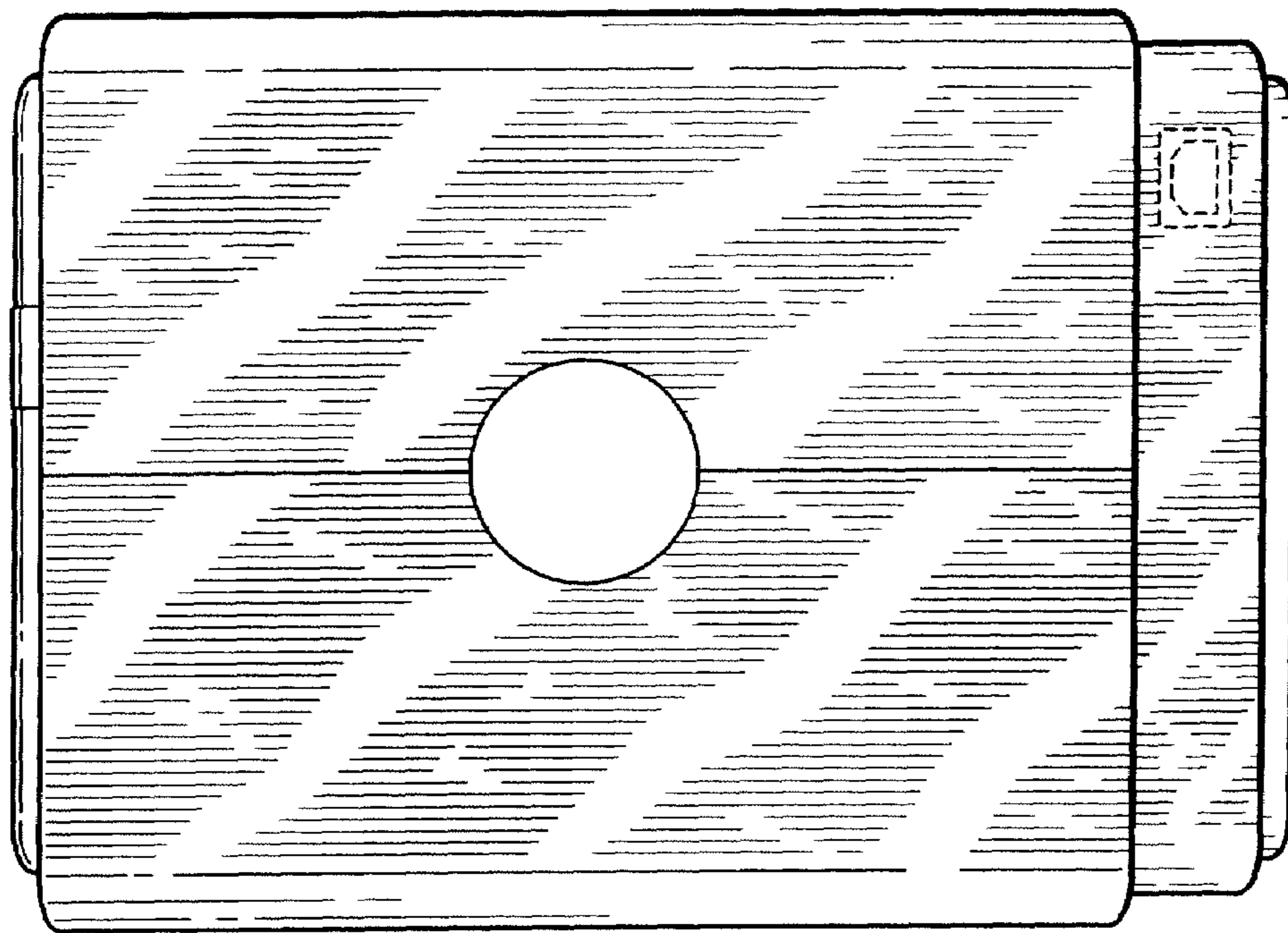


FIG. 6

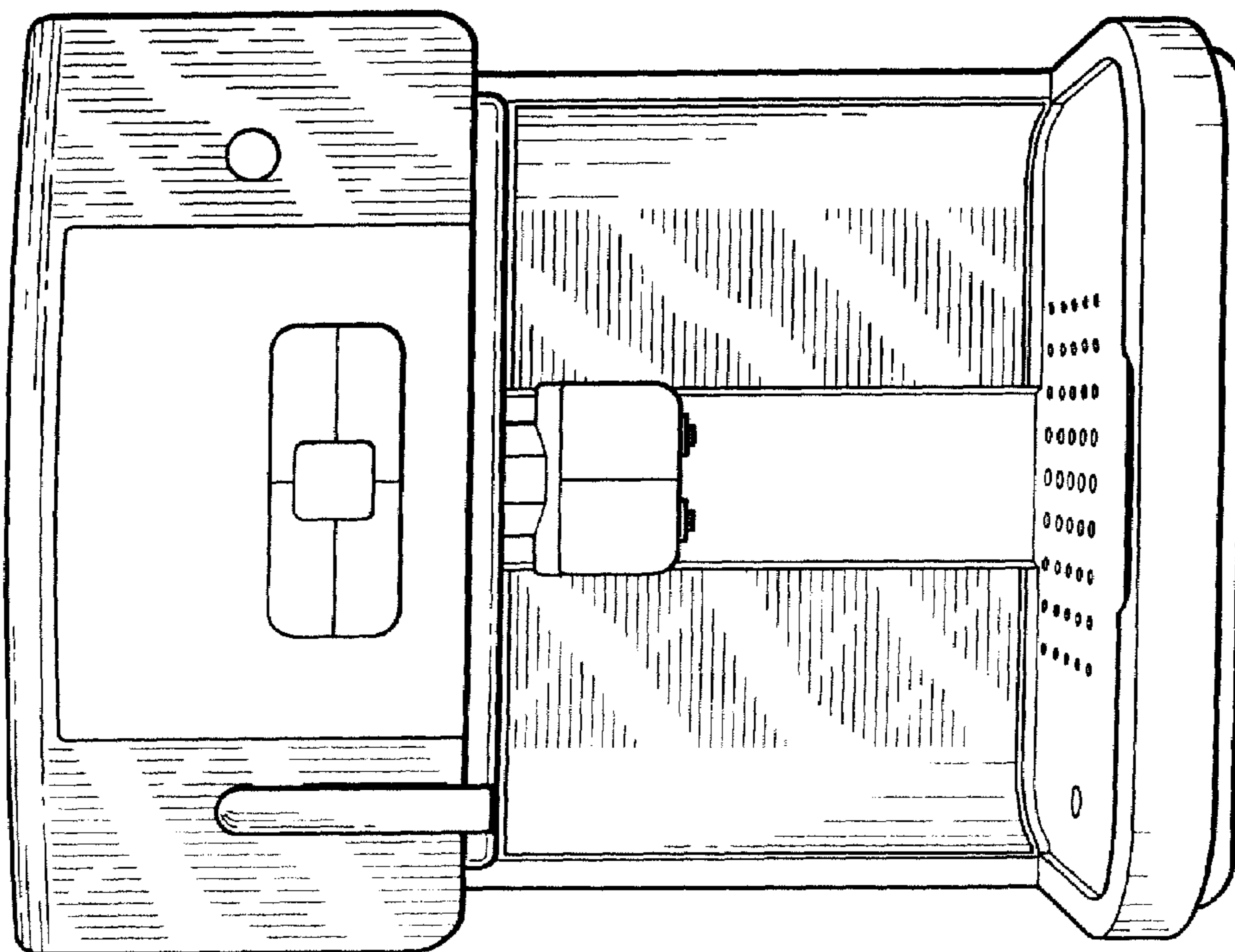
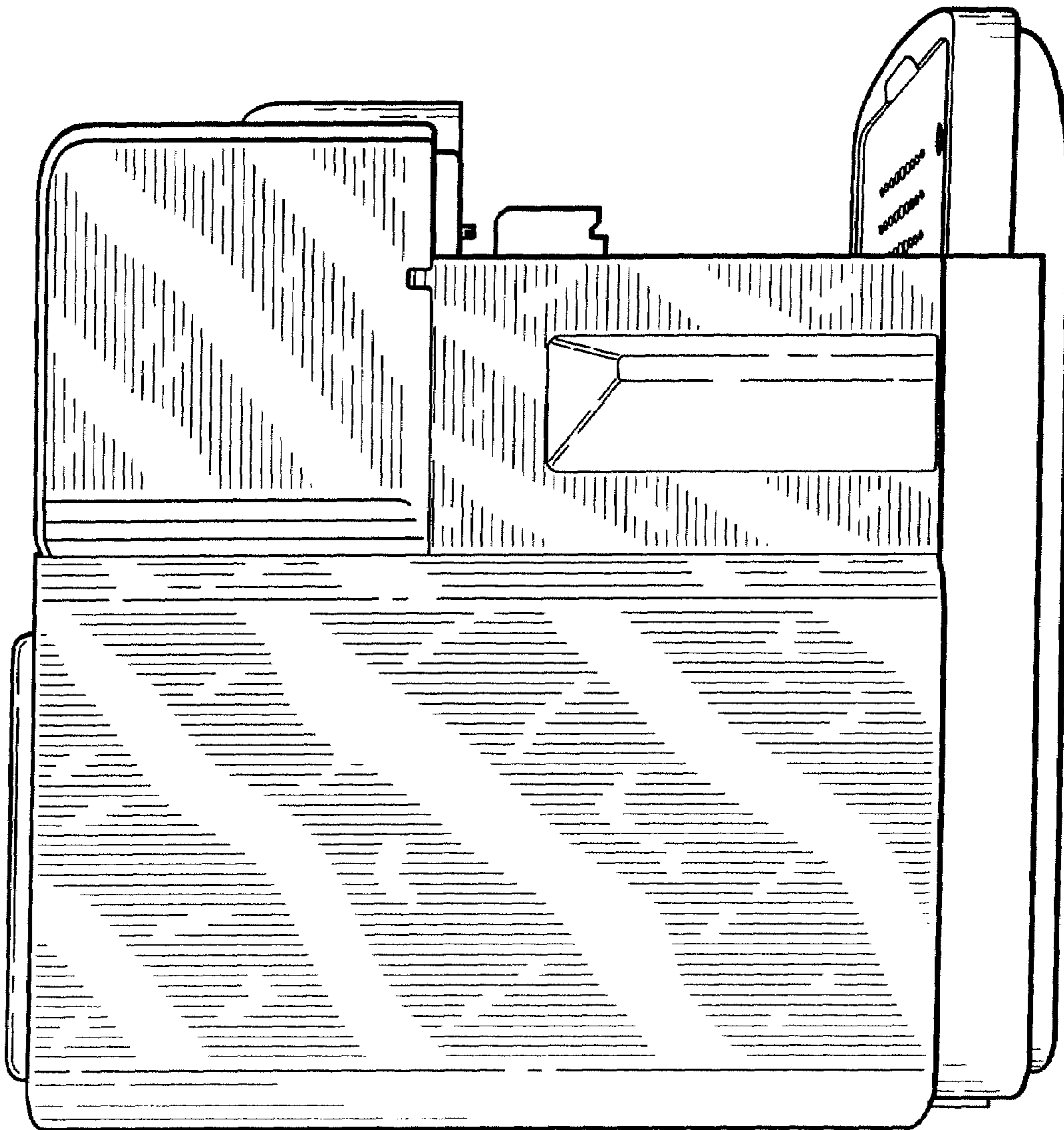


FIG. 7

FIG. 4



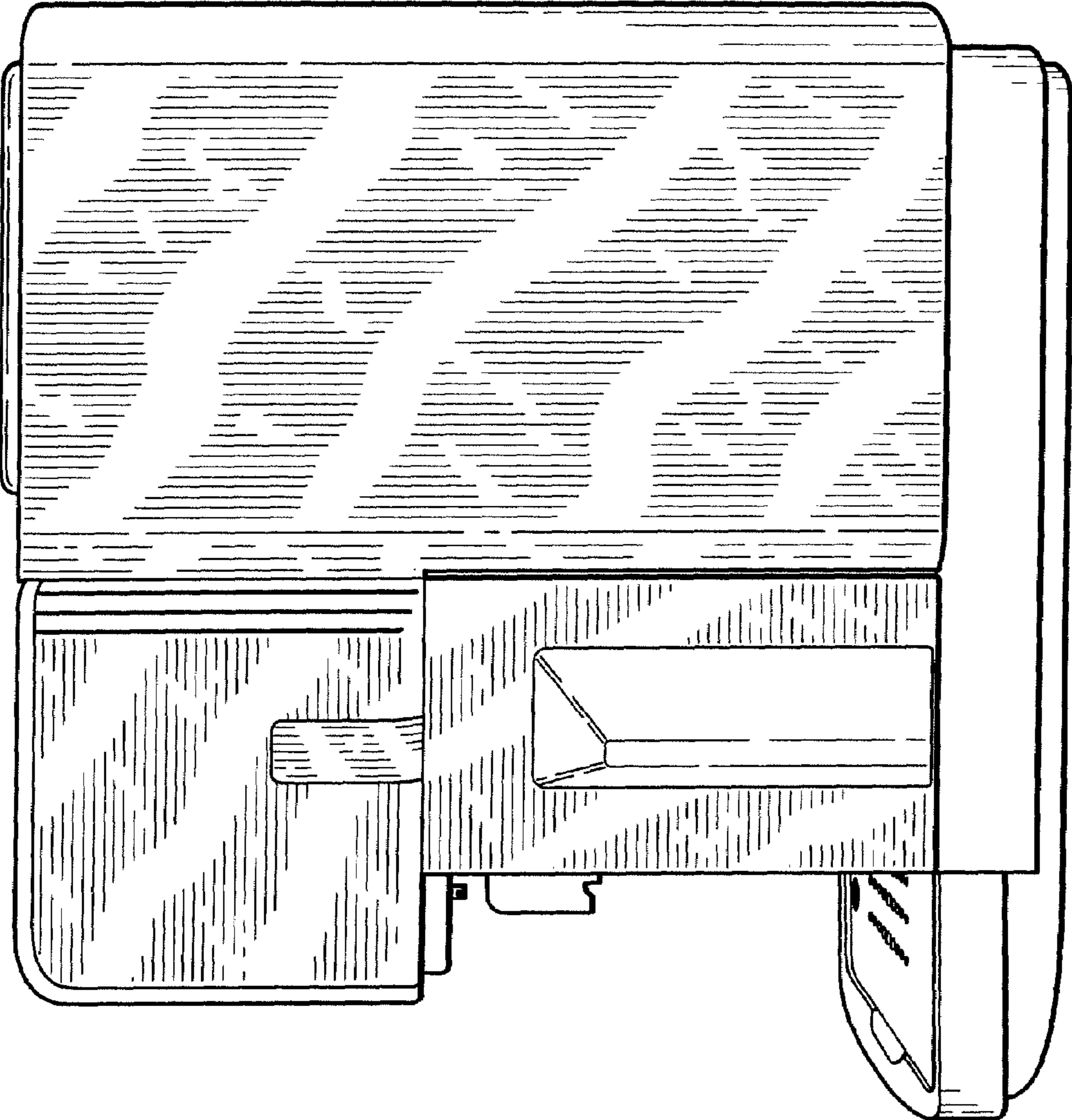


FIG. 5