



US00D598691S

(12) **United States Design Patent**
Mann, Jr. et al.

(10) **Patent No.:** **US D598,691 S**
(45) **Date of Patent:** **** Aug. 25, 2009**

- (54) **RESILIENT FLOORING PAD**
- (75) Inventors: **Michael J. Mann, Jr.**, Menominee, MI (US); **Douglas A. Clairmont**, Crystal Falls, MI (US)
- (73) Assignee: **Racer Flooring LLC**, Peshtigo, WI (US)
- (**) Term: **14 Years**
- (21) Appl. No.: **29/313,571**
- (22) Filed: **Jan. 23, 2009**
- (51) **LOC (9) Cl.** **06-11**
- (52) **U.S. Cl.** **D6/582; D25/68**
- (58) **Field of Classification Search** D6/382, D6/584, 585, 586, 587, 589, 590, 591, 592, D6/593, 594, 601, 604, 605, 610, 611; 428/45, 428/95, 131, 141; 52/403.1; 280/37.2; 5/417, 5/418, 419, 420, 658, 924; D21/321, 322, D21/323, 324, 325, 326, 327, 328, 329, 330, D21/331, 332, 333, 334, 335, 336, 337, 338, D21/339, 340, 341; 446/487; D25/300
See application file for complete search history.

- (56) **References Cited**
U.S. PATENT DOCUMENTS
4,112,176 A * 9/1978 Bailey 428/95
D356,709 S * 3/1995 Scott D6/585
D358,053 S * 5/1995 Austin D6/585

- D381,231 S * 7/1997 Kuan D6/582
- 5,667,873 A * 9/1997 Beckenbach 428/141
- D472,419 S * 4/2003 Robbins, III D6/582
- D477,171 S * 7/2003 Gabbour D6/582
- D478,761 S * 8/2003 Robbins, III D6/582
- 6,878,430 B2 * 4/2005 Milewski et al. 428/131
- D575,092 S * 8/2008 Hillson D6/582
- D575,093 S * 8/2008 Hillson D6/582
- D587,948 S * 3/2009 Lai D6/582
- 2006/0070326 A1 * 4/2006 Collison et al. 52/403.1

* cited by examiner

Primary Examiner—Robert M Spear
Assistant Examiner—Barbara B Lohr

(74) *Attorney, Agent, or Firm*—Russell L. Johnson; Patent Agent

(57) **CLAIM**

The ornamental design for a resilient flooring pad, as shown.

DESCRIPTION

FIG. 1 is a top perspective view of the resilient flooring pad of this invention.

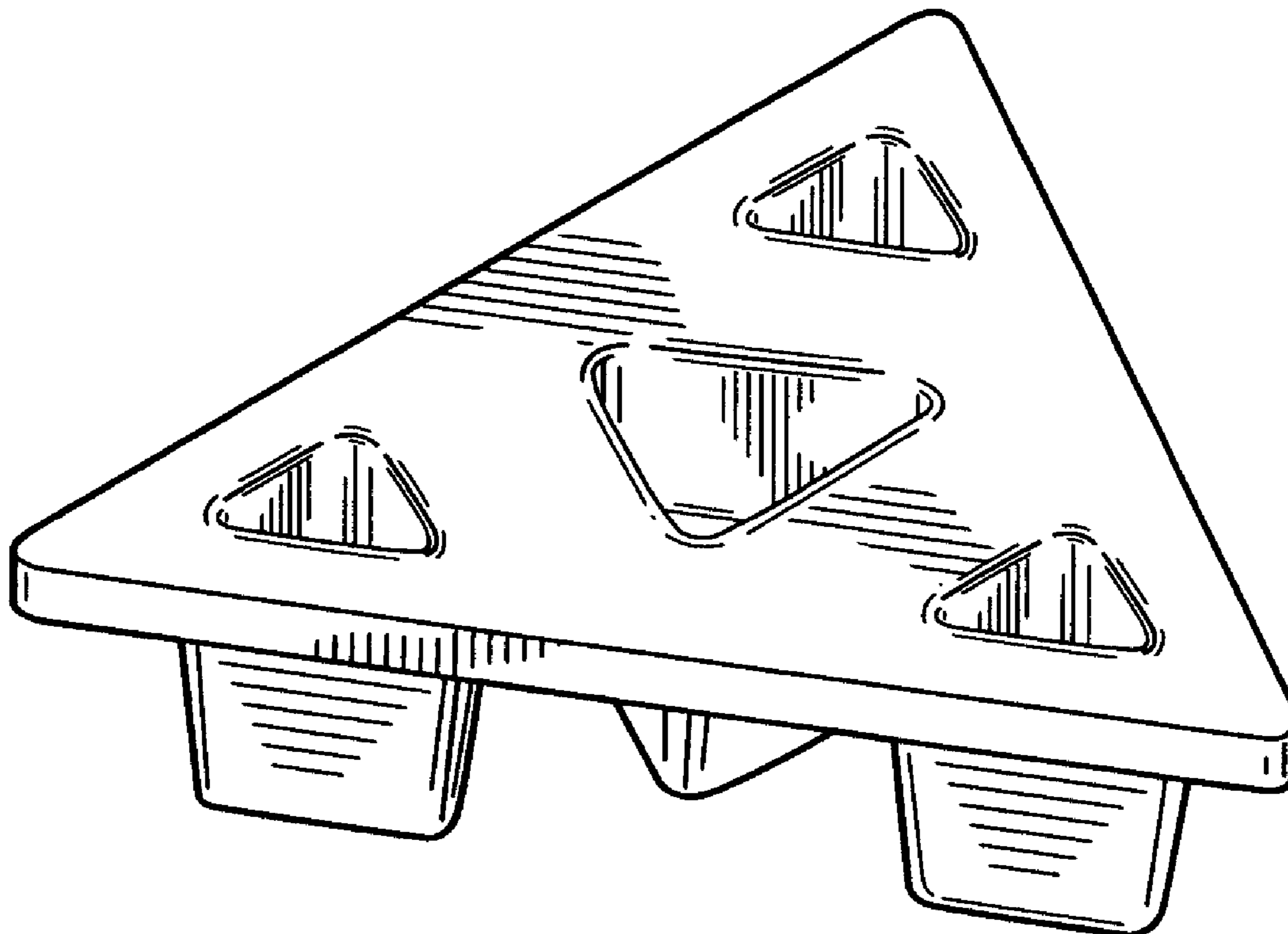
FIG. 2 is a bottom perspective view of pad of FIG. 1

FIG. 3 is a top plan view of the pad of FIG. 1

FIG. 4 is an elevation view of the pad of FIG. 1; and,

FIG. 5 is a bottom plan view of the pad of FIG. 1.

1 Claim, 2 Drawing Sheets



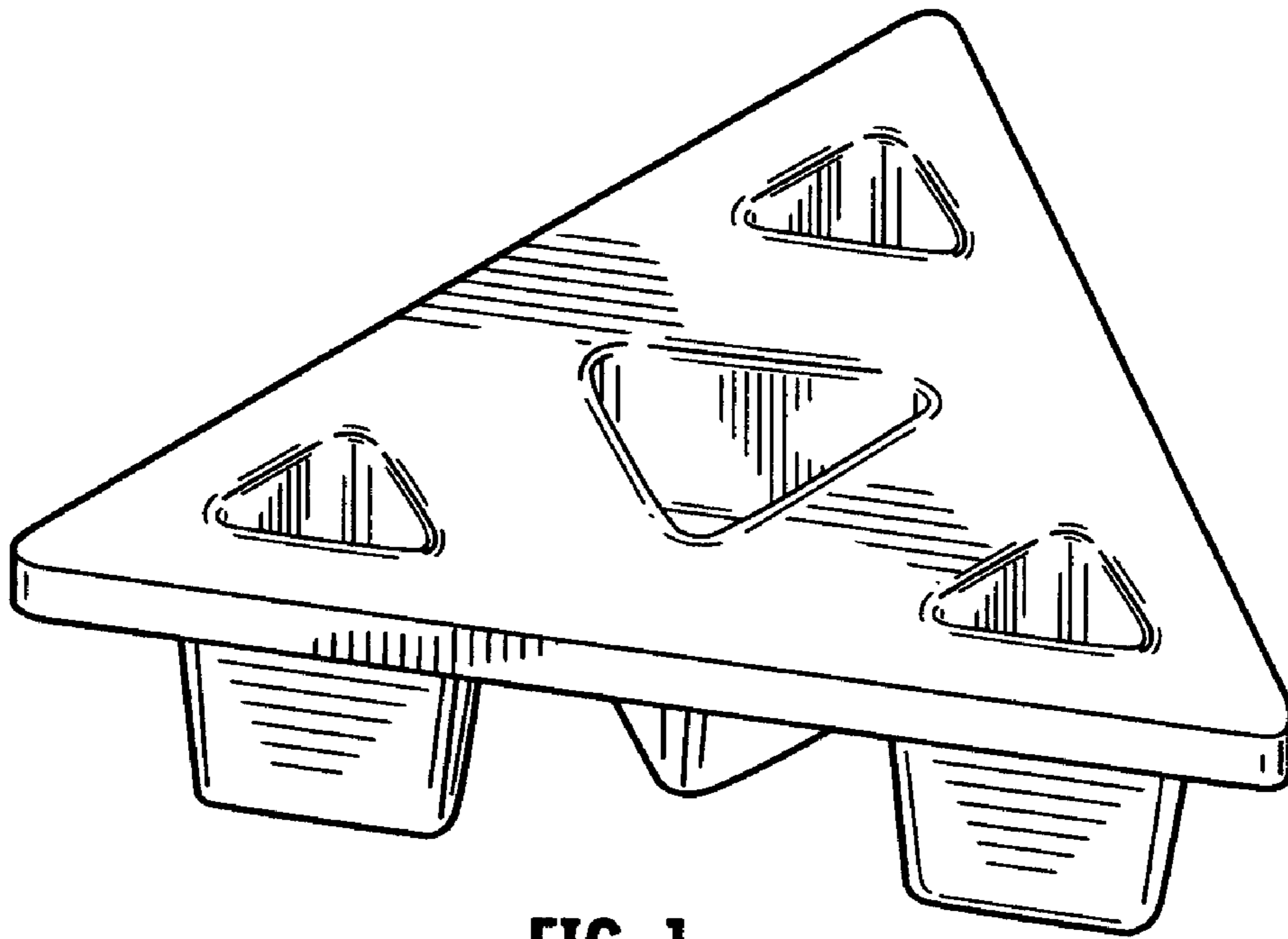


FIG. 1

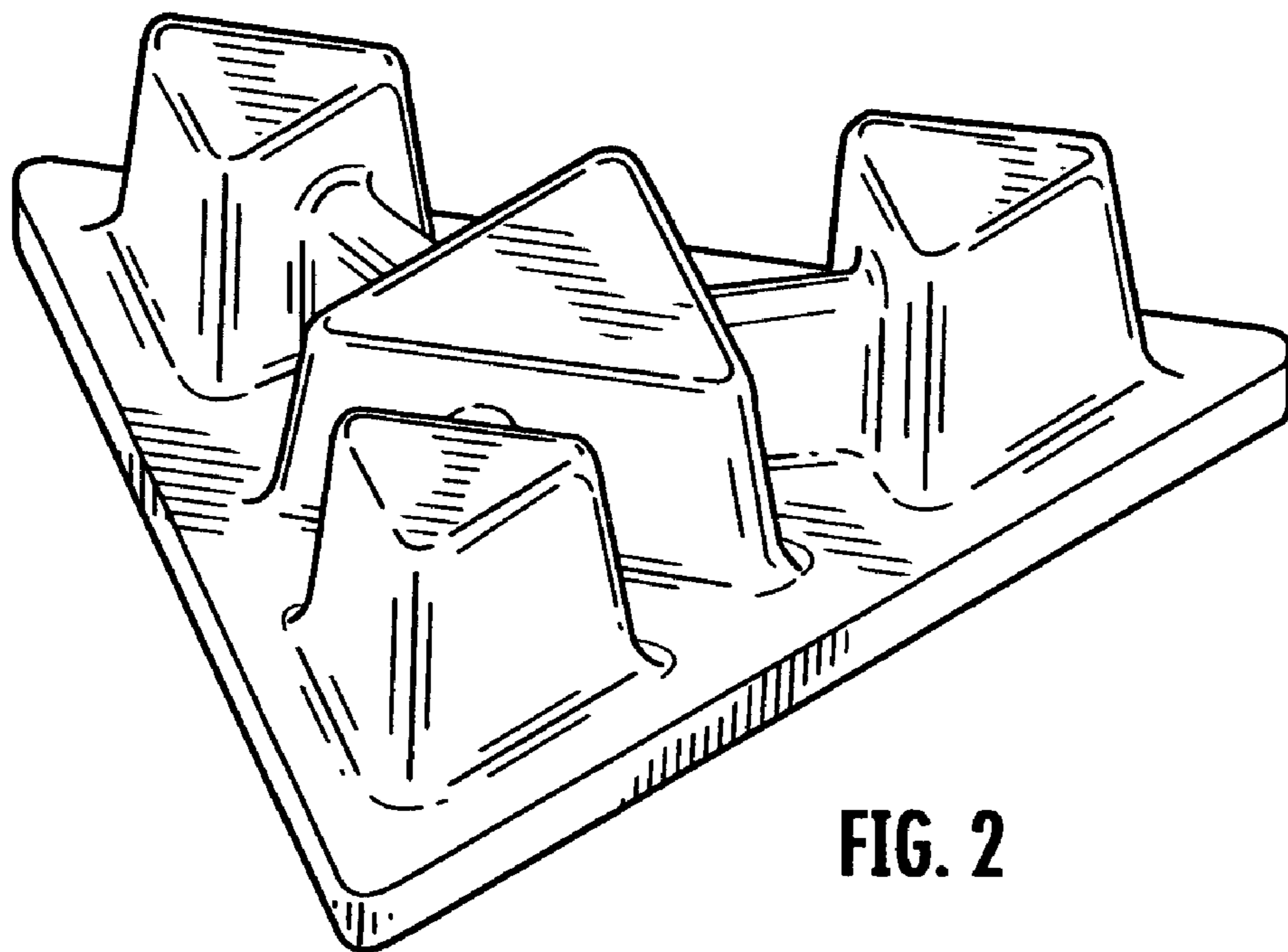


FIG. 2

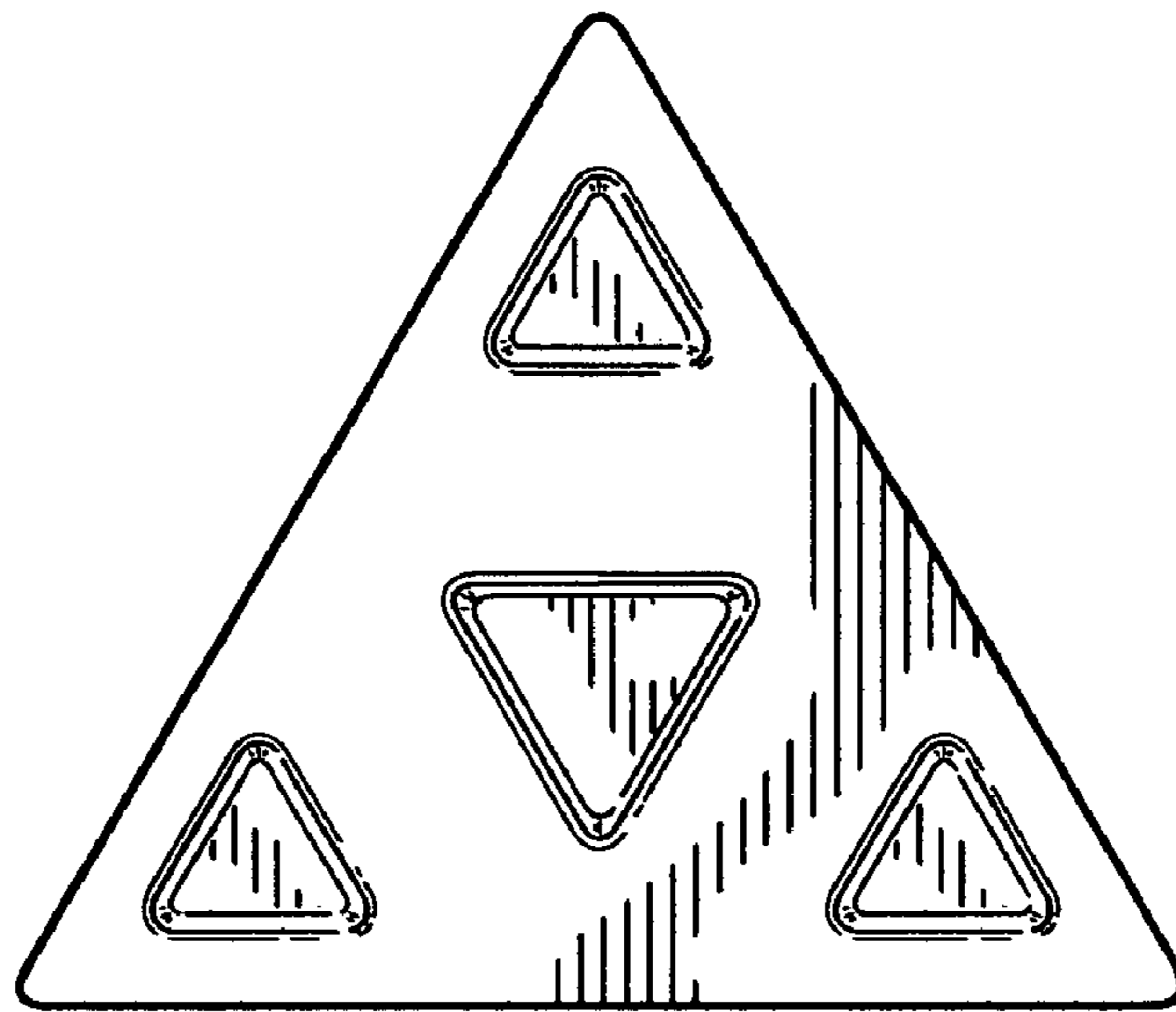


FIG. 3

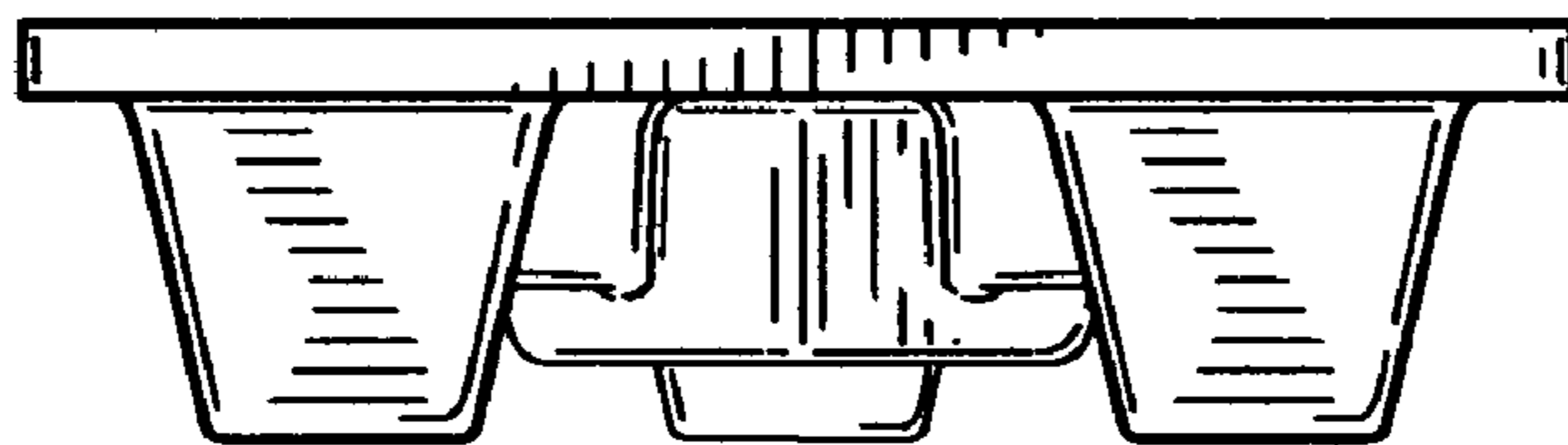


FIG. 4

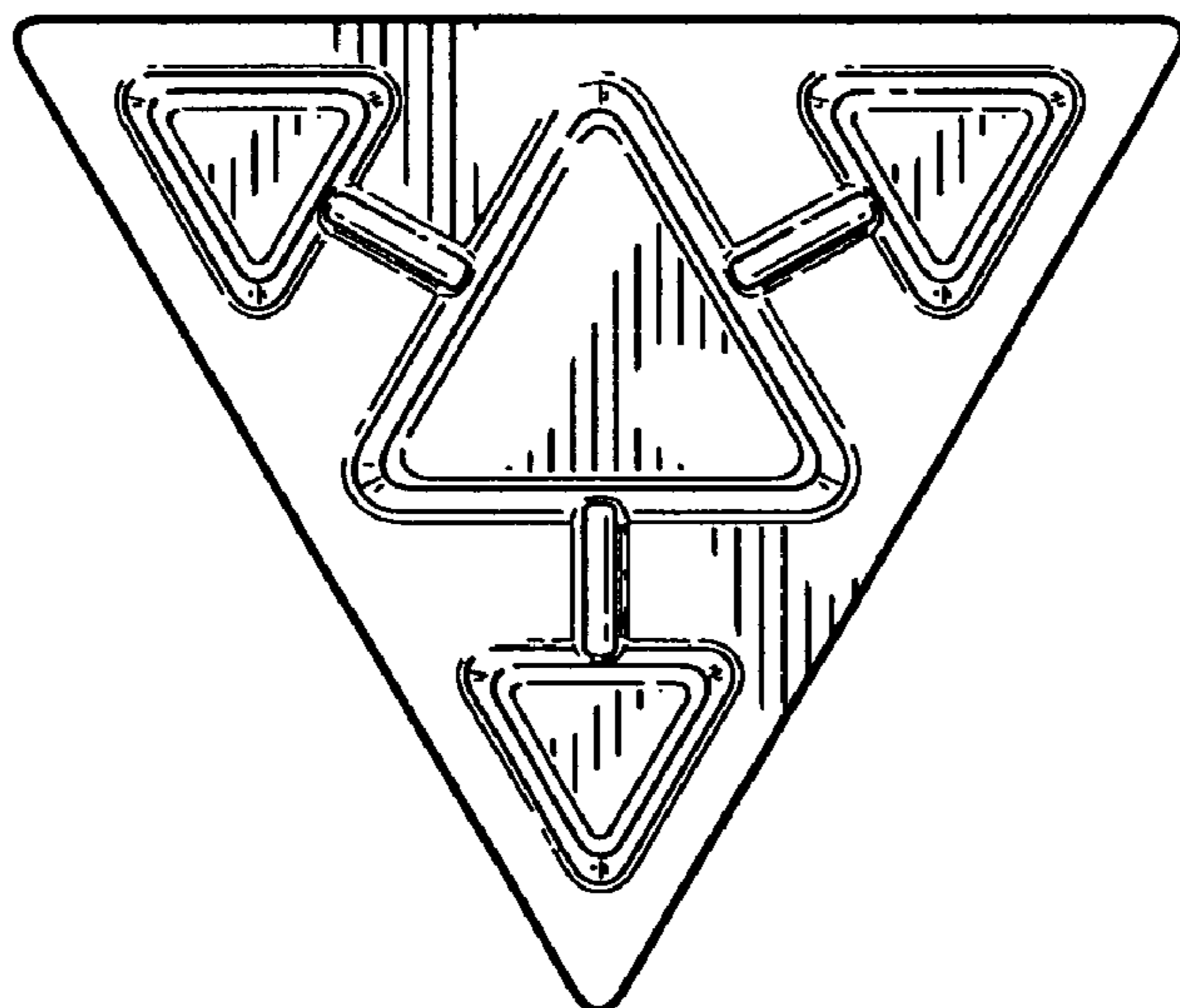


FIG. 5