

US00D598689S

(12) **United States Design Patent**
McDonald

(10) **Patent No.:** **US D598,689 S**
(45) **Date of Patent:** **** Aug. 25, 2009**

(54) **RACK-MOUNTED FISHING ROD HOLDER FOR BICYCLE**

(76) Inventor: **David H. McDonald**, 2302 Rodgers Dr.,
Huntsville, AL (US) 35811

(**) Term: **14 Years**

(21) Appl. No.: **29/306,181**

(22) Filed: **Apr. 3, 2008**

(51) **LOC (9) Cl.** **08-08**

(52) **U.S. Cl.** **D6/552**

(58) **Field of Classification Search** D6/512,
D6/553, 567, 566; D22/147, 148; 211/70.8,
211/13.1; 248/512, 206.3, 309.1, 538; 224/666,
224/678, 922

See application file for complete search history.

(56) **References Cited**

U.S. PATENT DOCUMENTS

3,142,424 A	7/1964	Reed, Jr.	
3,167,284 A	1/1965	Lynch	
3,169,739 A	2/1965	Yacobian	
3,648,908 A	3/1972	Thompson	
3,744,688 A	7/1973	Kezer	
3,921,868 A	11/1975	Reichbach	
D255,259 S *	6/1980	Nelson D22/147
4,614,323 A	9/1986	Bauer	
4,852,291 A	8/1989	Mengo	
4,877,165 A	10/1989	Behrle	
5,014,458 A	5/1991	Wagner	
5,033,223 A *	7/1991	Minter 224/922
5,044,109 A *	9/1991	Fast 224/666
5,383,299 A	1/1995	Smelker	
5,435,473 A *	7/1995	Larkum 224/922
D377,387 S	1/1997	Mathewson	
D381,392 S *	7/1997	Darling D22/147
5,715,952 A *	2/1998	Chichetti 224/922

5,815,976 A *	10/1998	Jernigan et al. 224/922
5,871,196 A	2/1999	Martelli	
5,987,804 A	11/1999	Shearer et al.	
6,273,391 B1	8/2001	Engolia	
6,302,367 B1	10/2001	Ratza et al.	
D458,878 S *	6/2002	Greco D6/552
6,672,559 B1	1/2004	Boldia	
D490,768 S	6/2004	Baynes et al.	
6,898,893 B1	5/2005	Mukdaprakorn	
6,962,018 B1	11/2005	King	
7,278,233 B2	10/2007	Melville	
2003/0230024 A1	12/2003	Roberson	

FOREIGN PATENT DOCUMENTS

JP	11255164	9/1999
JP	2000272568	10/2000
JP	2003146276	5/2003
JP	2000128046	5/2005

* cited by examiner

Primary Examiner—Brian N Vinson

(74) *Attorney, Agent, or Firm*—Angela Holt; Lanier Ford
Shaver & Payne P.C.

(57) **CLAIM**

The ornamental design for a rack-mounted fishing rod holder for bicycle, as shown and described.

DESCRIPTION

FIG. 1 is a side perspective view of a rack-mounted fishing rod holder for bicycle showing my new design; and,

FIG. 2 is a rear perspective view thereof.

The broken lines showing a bicycle seat, two wing nuts, and a bracket attaching the rod holder to the bicycle rack in FIG. 1 and a bicycle seat, two wing nuts, a bracket attaching the rod holder to the bicycle rack and a fishing rod in FIG. 2 illustrate the portions of the design that form no part of the claim.

1 Claim, 1 Drawing Sheet

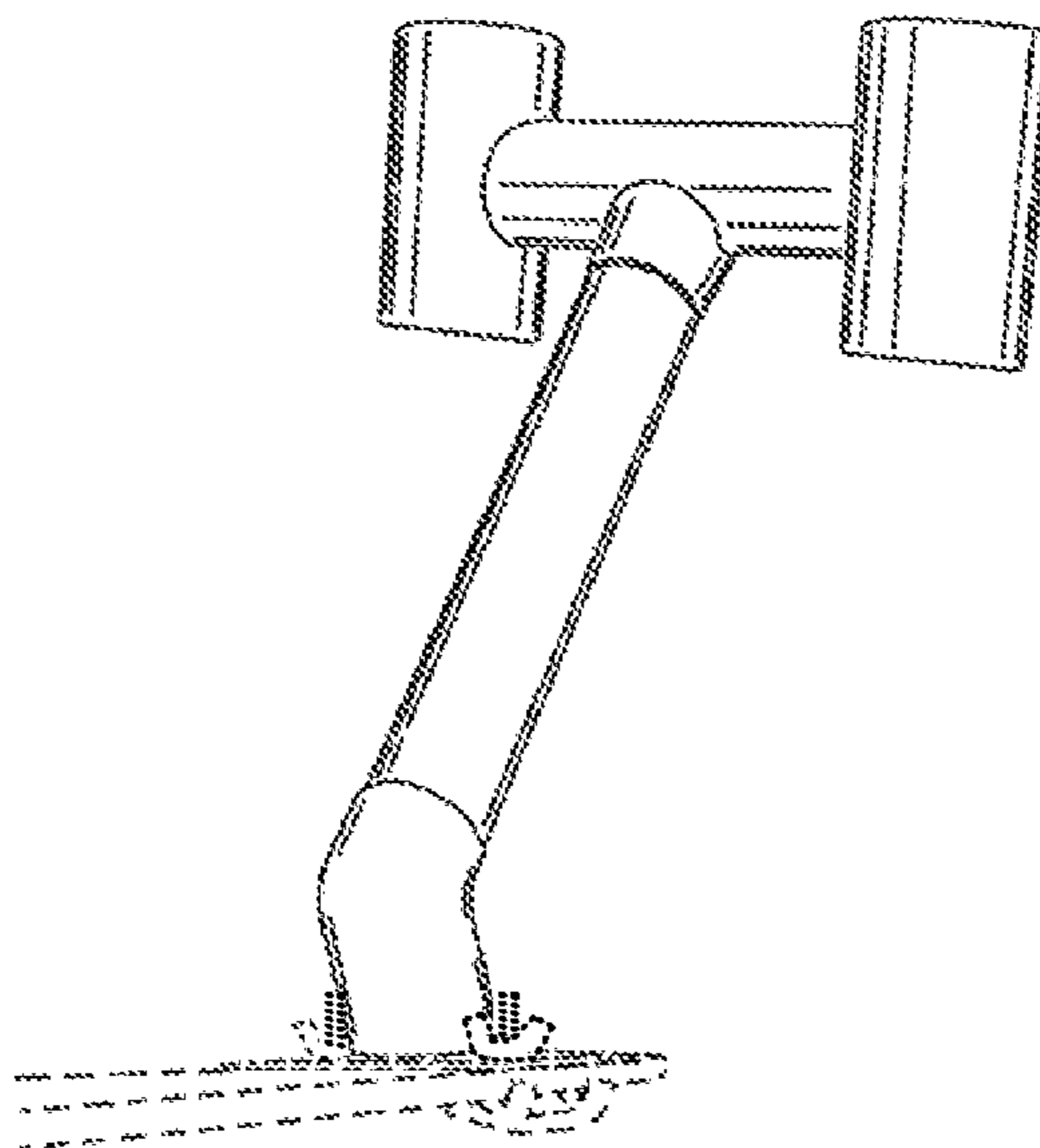


Figure 1

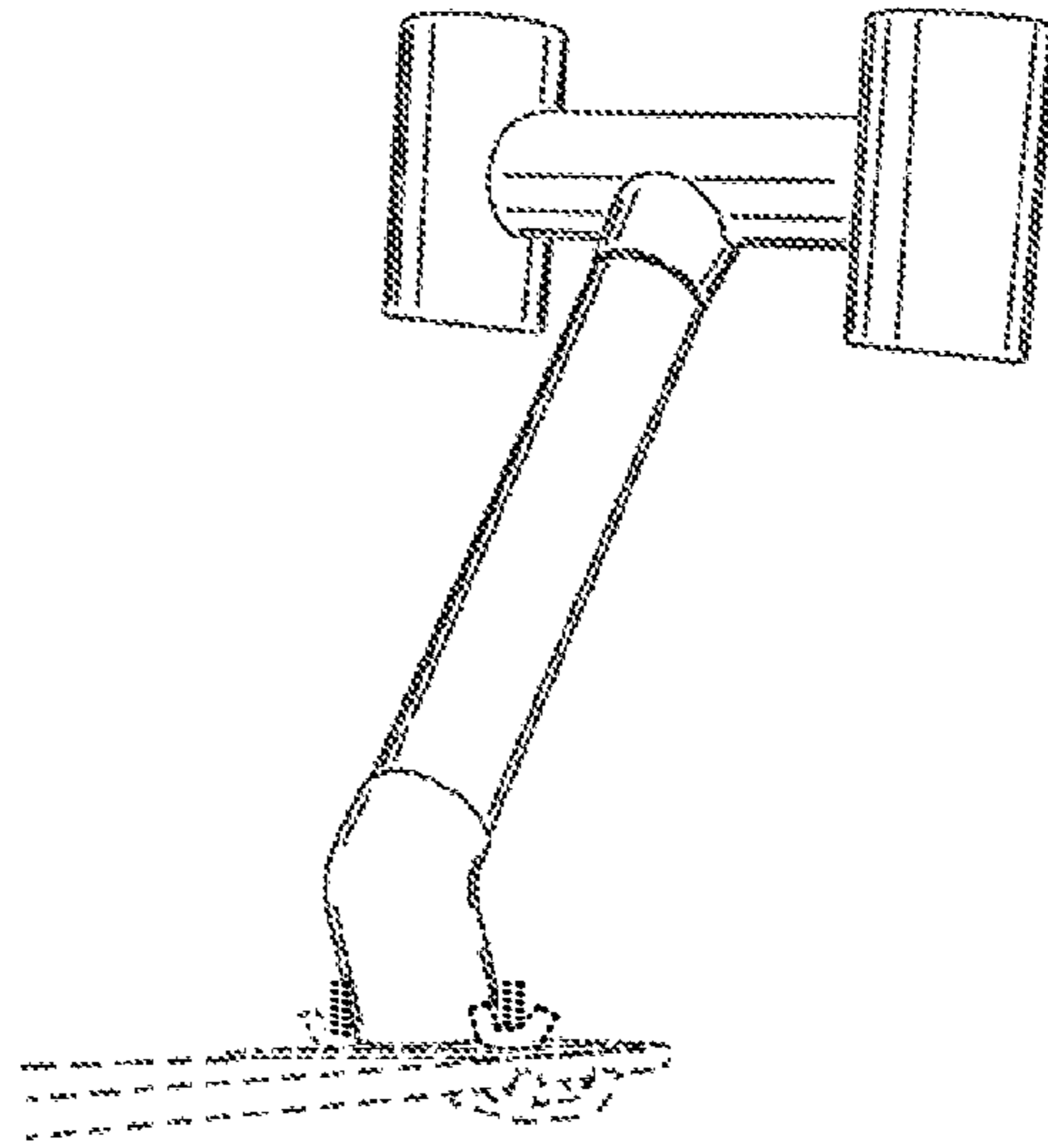


Figure 2

