



US00D598688S

(12) **United States Design Patent**
Yang et al.

(10) **Patent No.:** **US D598,688 S**

(45) **Date of Patent:** **** Aug. 25, 2009**

(54) **BATH CADDY**

(75) Inventors: **Frank Yang**, Rancho Palos Verdes, CA (US); **Tzu-Hao Wei**, Hacienda Heights, CA (US); **Myk Wayne Lum**, Irvine, CA (US); **Joseph Dieudonne Morin**, Mission Viejo, CA (US)

(73) Assignee: **Simplehuman LLC**, Torrance, CA (US)

(**) Term: **14 Years**

(21) Appl. No.: **29/310,233**

(22) Filed: **Aug. 1, 2008**

(51) **LOC (9) Cl.** **23-02**

(52) **U.S. Cl.** **D6/525**

(58) **Field of Classification Search** D6/524-525,
D6/566; 108/14, 28, 47, 137, 143; 211/13.1,
211/71, 74, 75, 86.01, 126.1, 126.9, 133.5;
248/441.1

See application file for complete search history.

(56) **References Cited**

U.S. PATENT DOCUMENTS

D417,809 S * 12/1999 Hofman D6/525

D441,996 S * 5/2001 Wright D6/525
D448,225 S * 9/2001 Wright D6/525
D545,601 S * 7/2007 Yang et al. D6/525

* cited by examiner

Primary Examiner—Brian N Vinson

(74) *Attorney, Agent, or Firm*—Liu & Liu

(57) **CLAIM**

The ornamental design for the bath caddy, as shown and described.

DESCRIPTION

FIG. 1 is a right perspective view of a bath caddy showing our new design;

FIG. 2 is a rear view thereof;

FIG. 3 is a front view thereof;

FIG. 4 is a bottom plan view thereof;

FIG. 5 is a top plan view thereof;

FIG. 6 is a left side view thereof; and,

FIG. 7 is a right side view thereof.

1 Claim, 7 Drawing Sheets

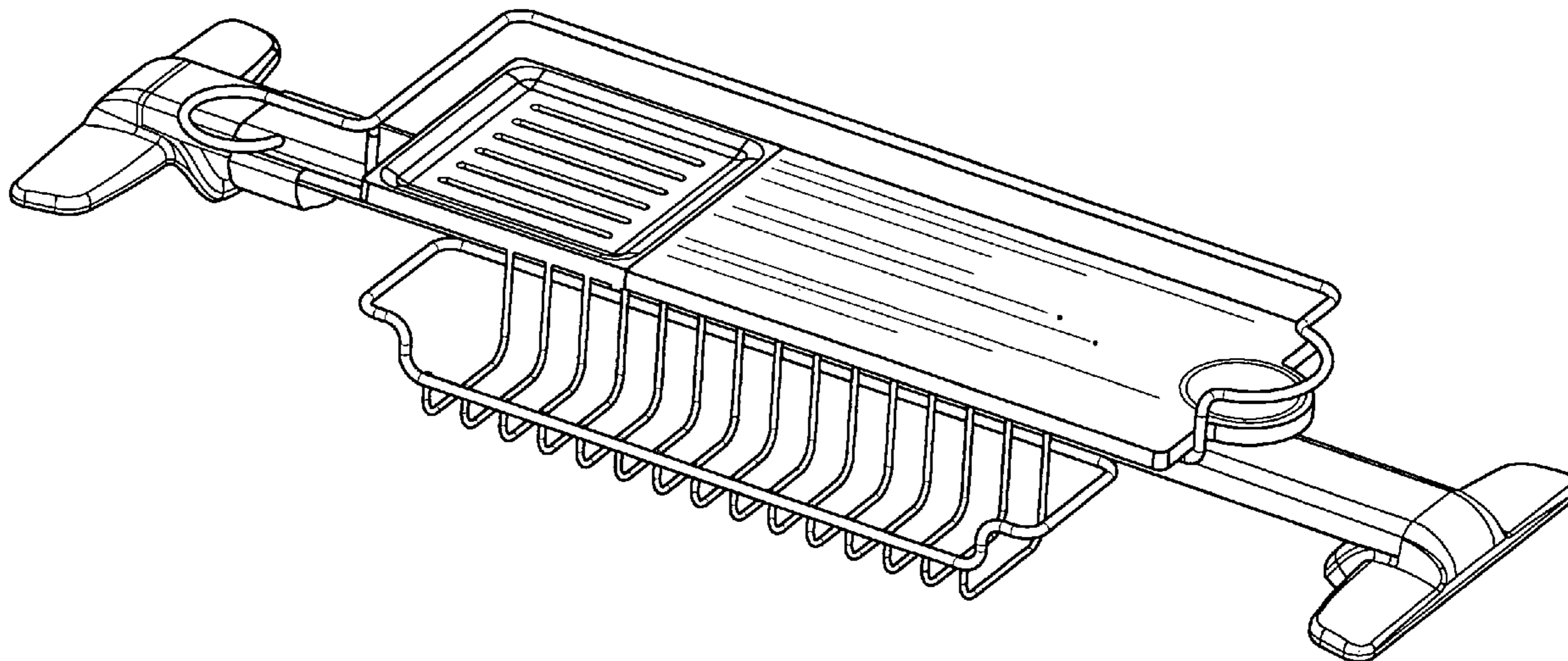


FIG. 1

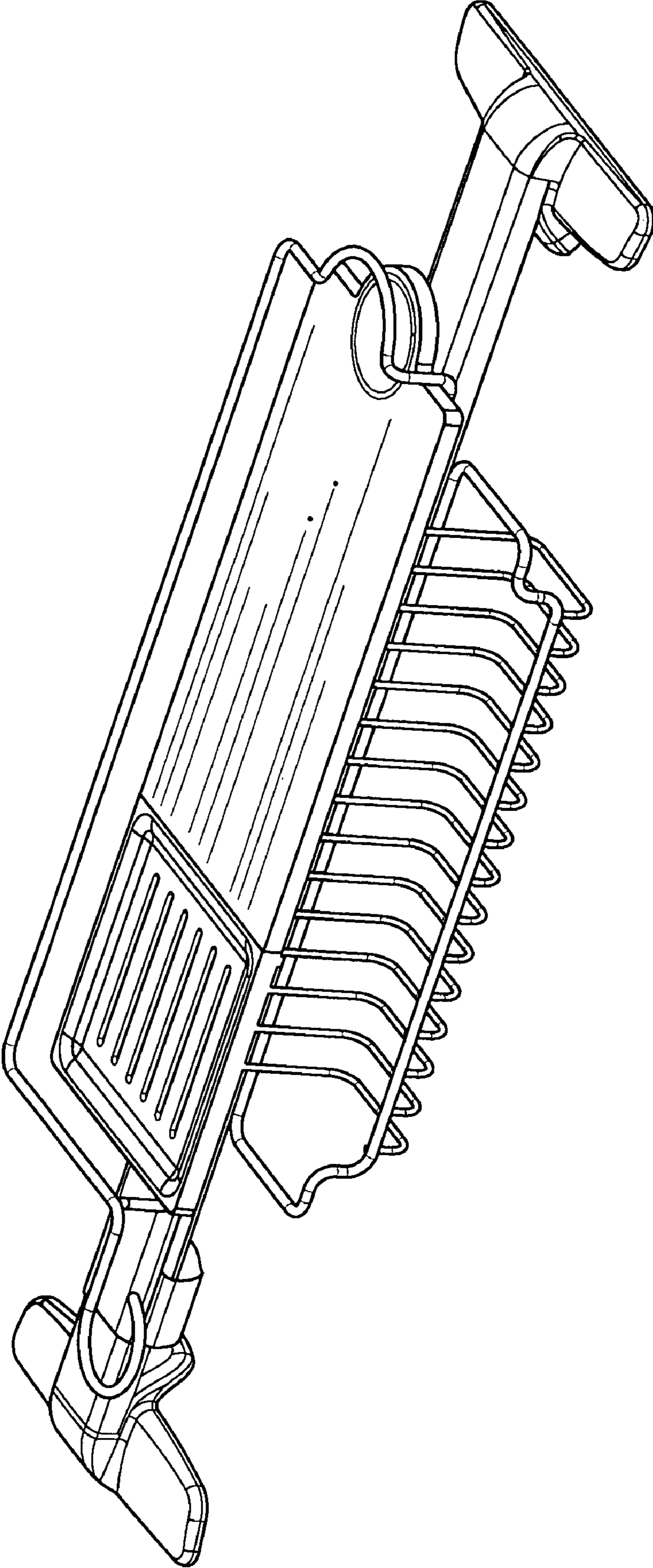


FIG. 2

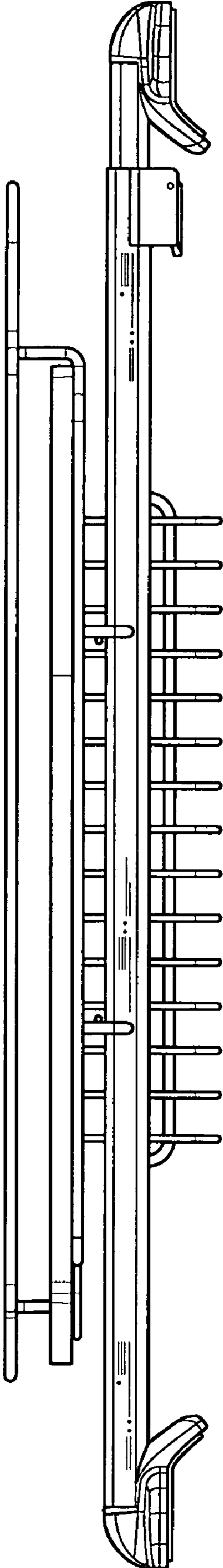


FIG. 3

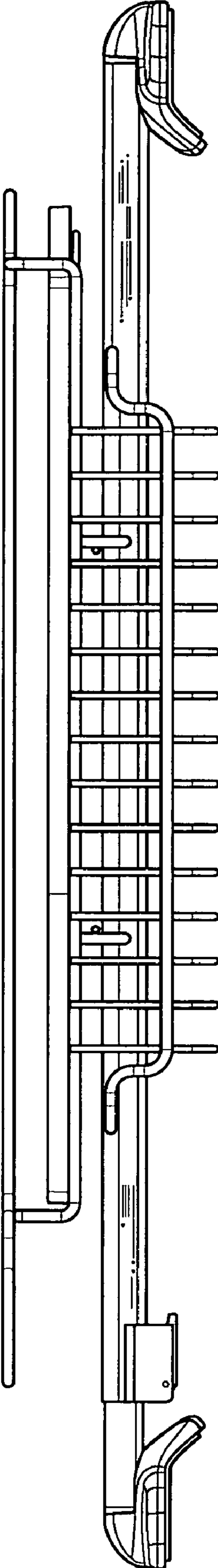


FIG. 4

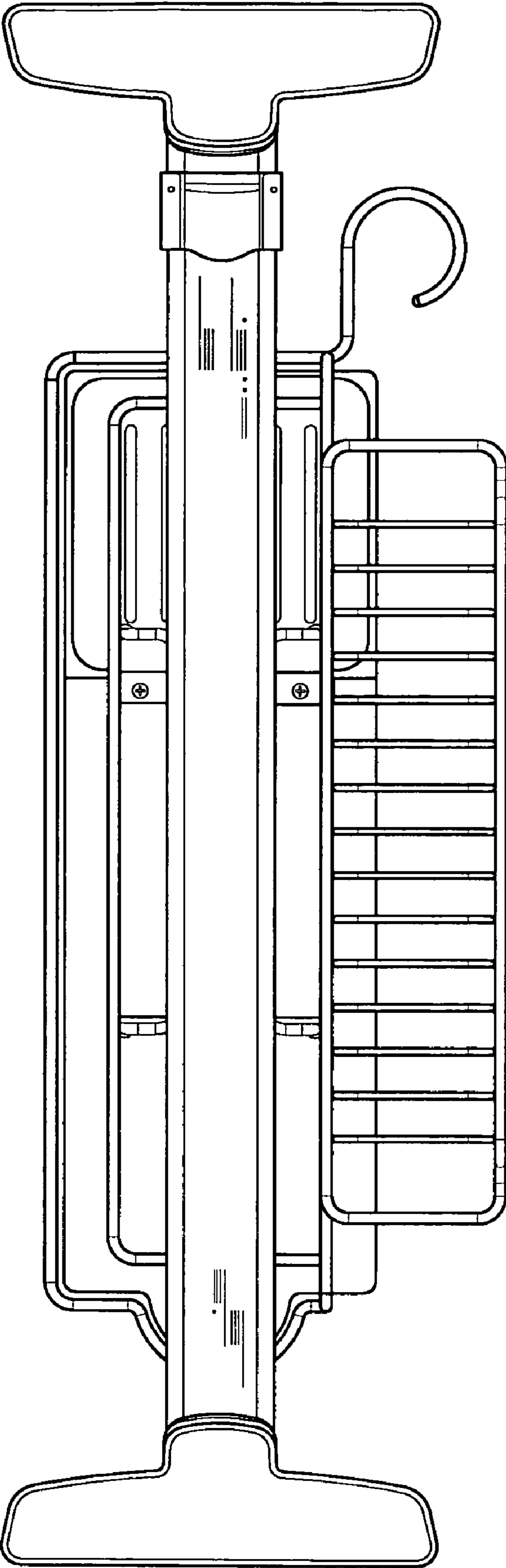


FIG. 5

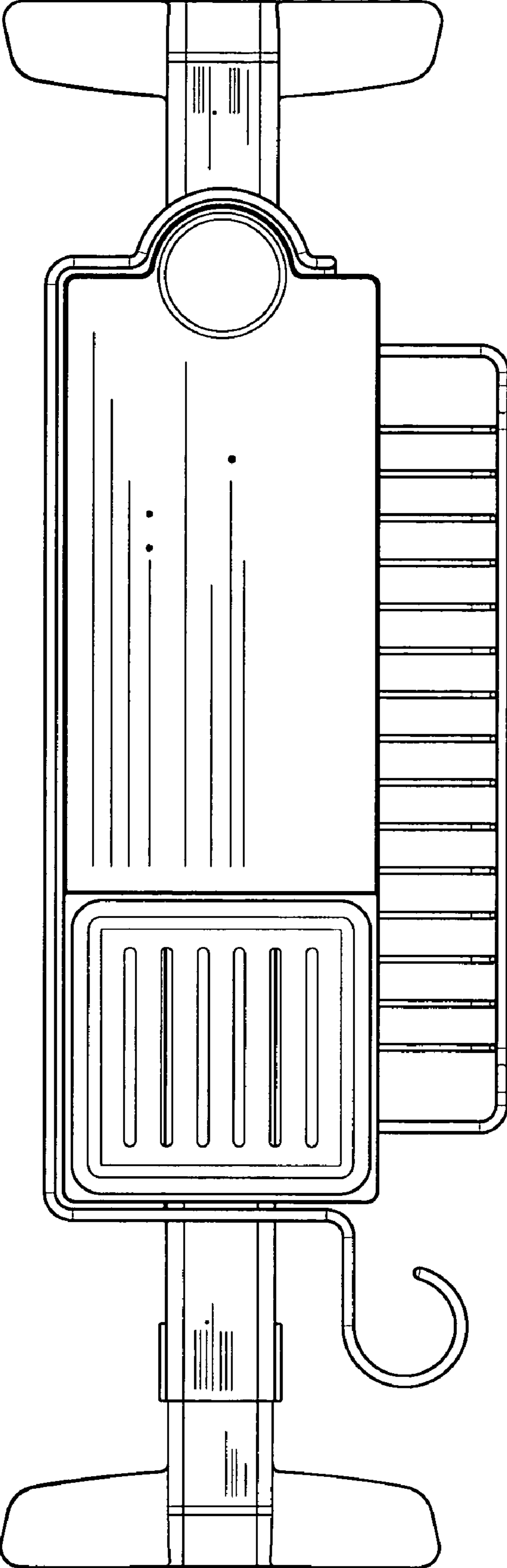


FIG. 6

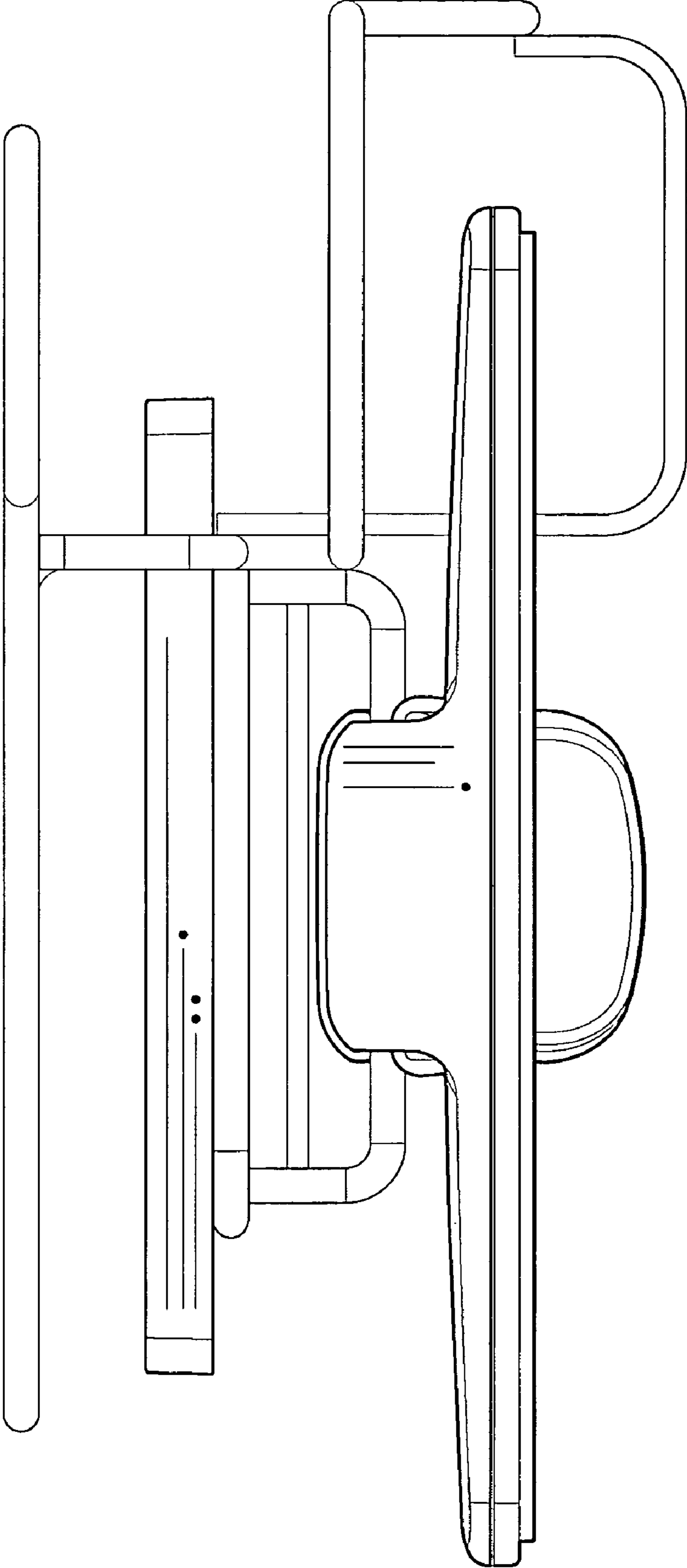


FIG. 7

