



US00D598686S

(12) **United States Design Patent**
Erickson

(10) **Patent No.:** **US D598,686 S**

(45) **Date of Patent:** **** Aug. 25, 2009**

(54) **SHELVING**

(75) Inventor: **Jason P. Erickson**, Mesquite, TX (US)

(73) Assignee: **Madix, Inc.**, Terrell, TX (US)

(**) Term: **14 Years**

(21) Appl. No.: **29/331,924**

(22) Filed: **Feb. 5, 2009**

Related U.S. Application Data

(62) Division of application No. 29/258,270, filed on Apr. 19, 2006, now Pat. No. Des. 587,944.

(51) **LOC (9) Cl.** **06-04**

(52) **U.S. Cl.** **D6/511**

(58) **Field of Classification Search** D6/396-397,
D6/477-479, 426, 511; 211/90.01, 134,
211/153, 183, 85.1

See application file for complete search history.

(56) **References Cited**

U.S. PATENT DOCUMENTS

D295,804 S	*	5/1988	Tarlow	D6/441
D389,680 S	*	1/1998	Moore	D6/511
D433,860 S	*	11/2000	Suzuki	D6/555
D482,901 S	*	12/2003	Stanton	D6/441

D520,274 S	*	5/2006	Paus	D6/511
D520,287 S	*	5/2006	Sparkowski	D6/574
D530,939 S	*	10/2006	Nakamura	D6/425
D544,280 S	*	6/2007	Langenfeld	D6/574
D555,398 S	*	11/2007	Plumb	D6/474
D563,138 S	*	3/2008	Kramer	D6/562
D566,423 S	*	4/2008	Raile	D6/467
D587,944 S	*	3/2009	Erickson	D6/511

* cited by examiner

Primary Examiner—Elizabeth A Albert

Assistant Examiner—Kelley A Donnelly

(74) *Attorney, Agent, or Firm*—Hitchcock Evert LLP

(57) **CLAIM**

The ornamental design for a shelving, as shown and described.

DESCRIPTION

FIG. 1 is a left front perspective view of the shelving;

FIG. 2 is a front view thereof;

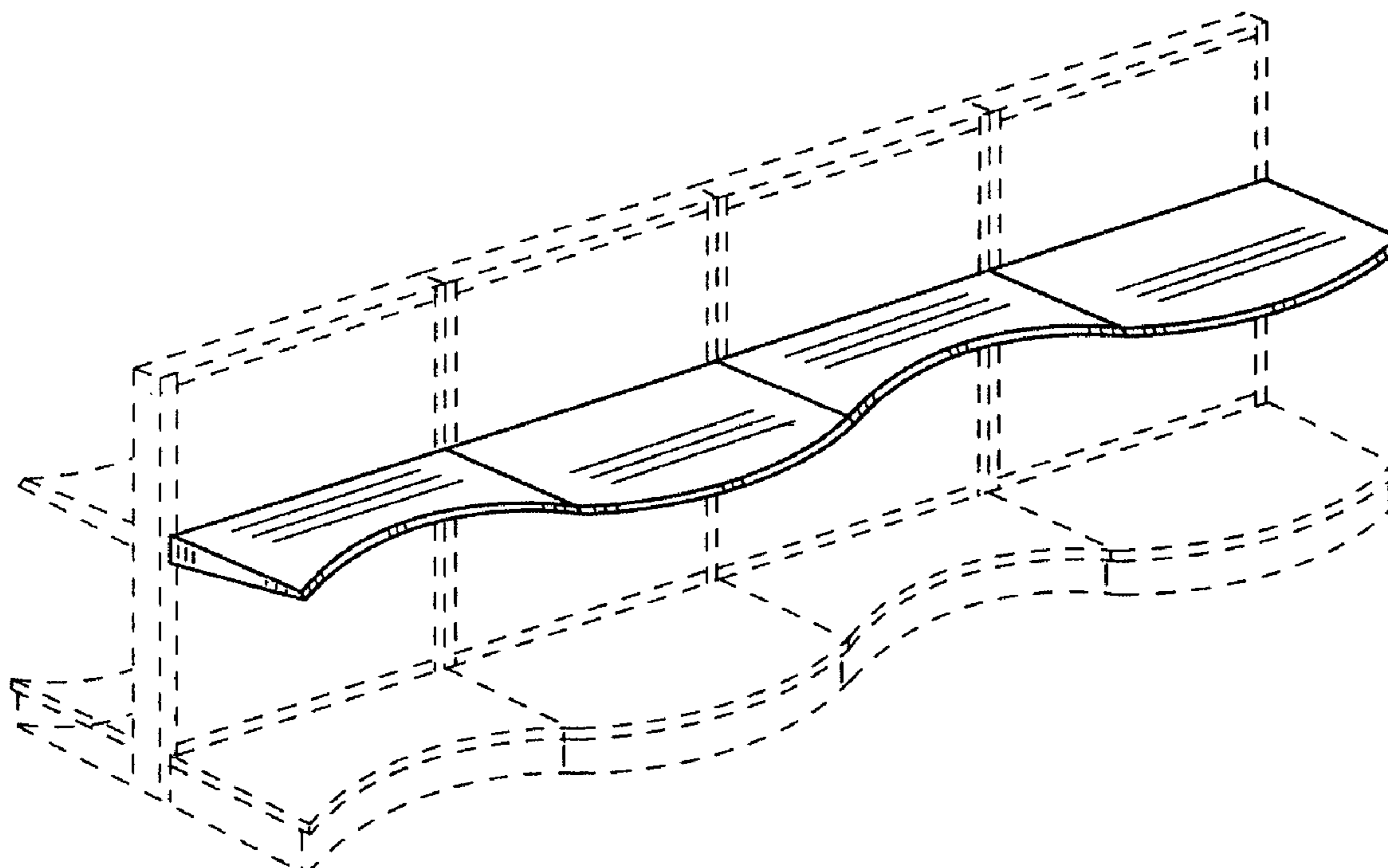
FIG. 3 is a left side view thereof;

FIG. 4 is a right side view thereof; and,

FIG. 5 is a top view thereof.

The broken lines in FIGS. 1-5 are for environmental purposes only and form no part of the claimed design.

1 Claim, 2 Drawing Sheets



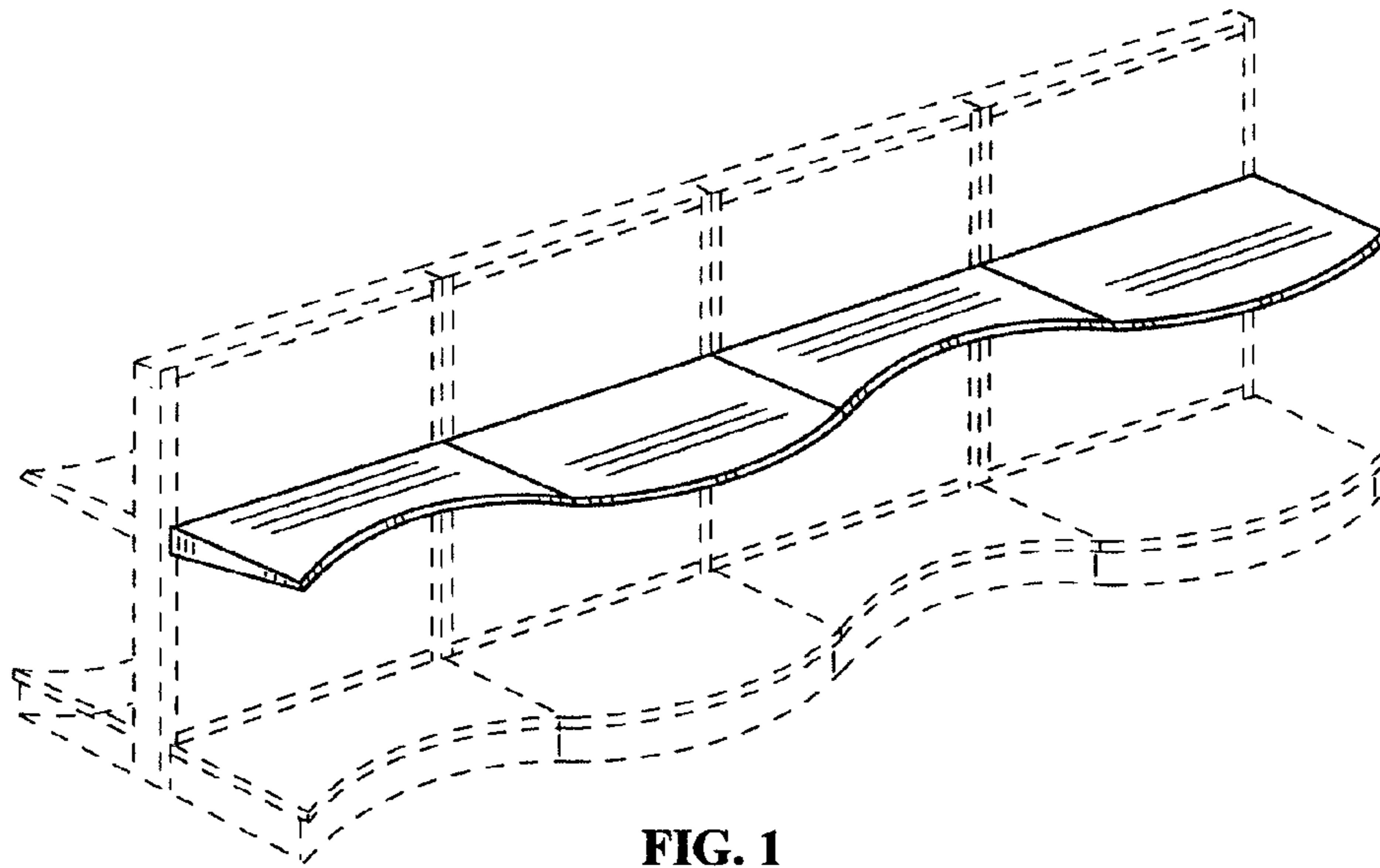


FIG. 1

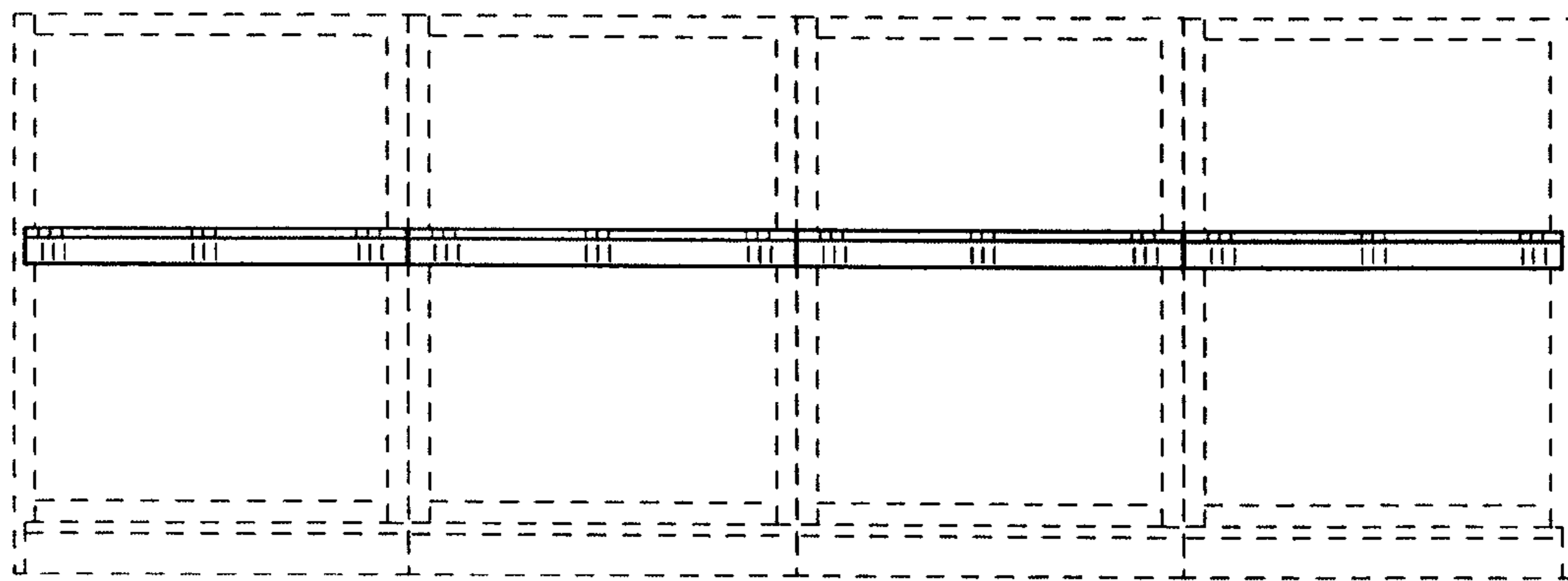


FIG. 2

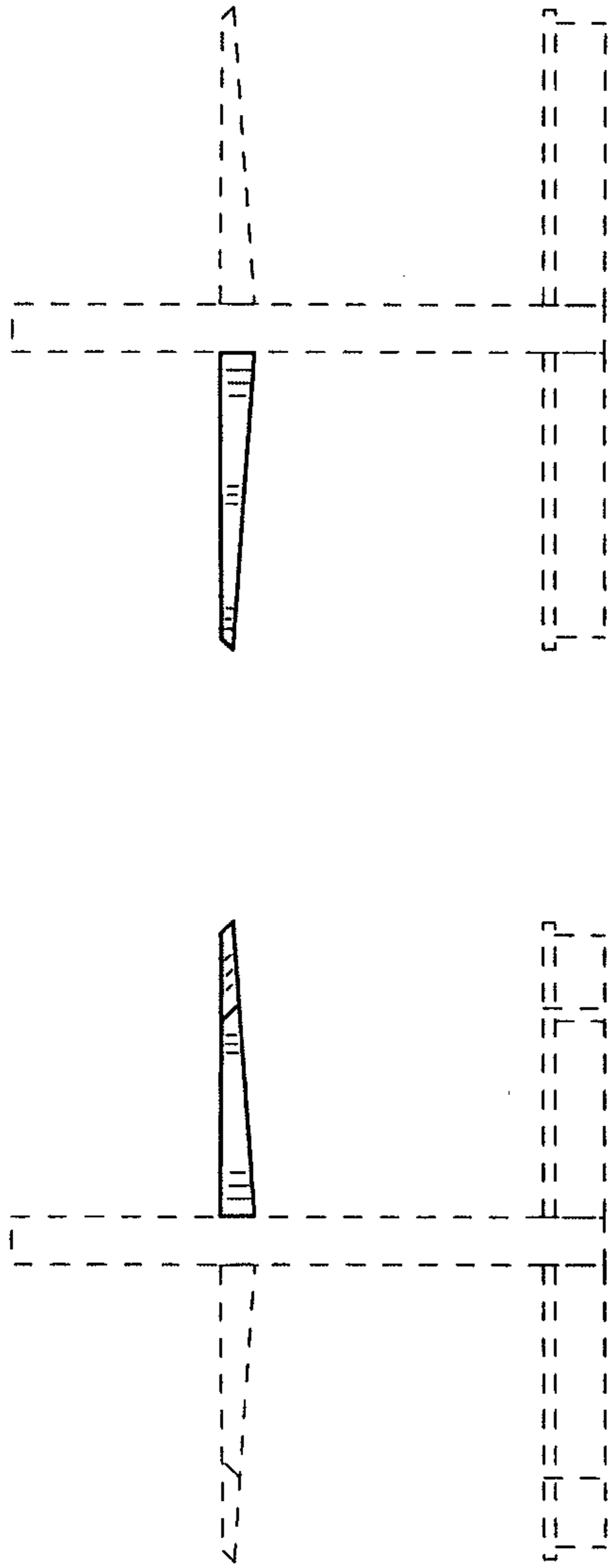


FIG. 4

FIG. 3

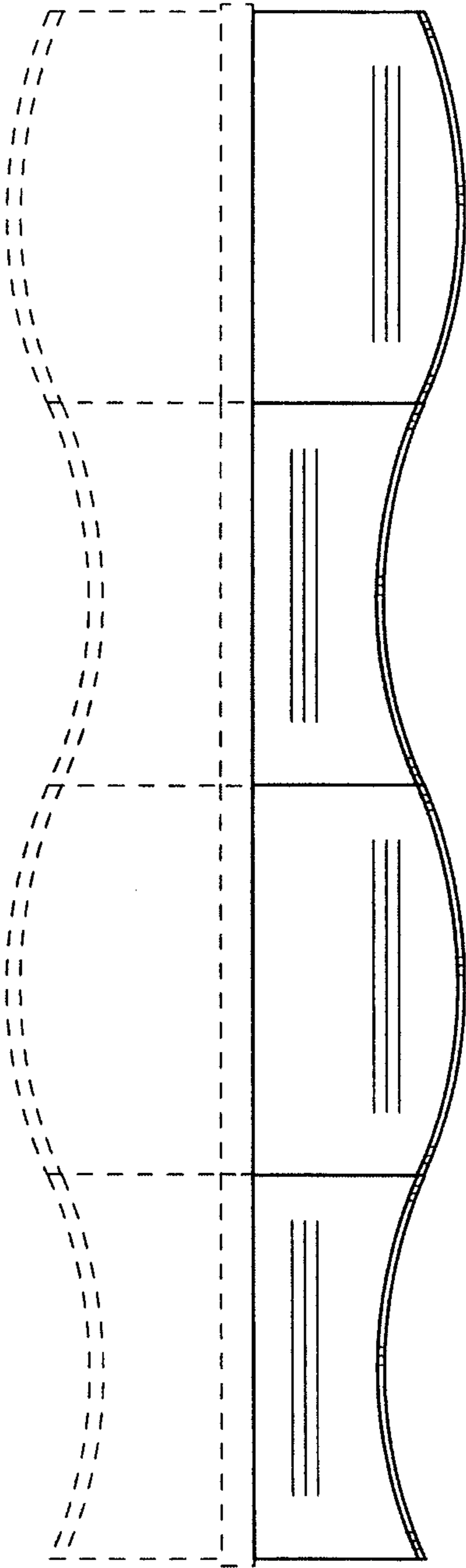


FIG. 5