

US00D598685S

(12) **United States Design Patent**
Erickson

(10) **Patent No.:** **US D598,685 S**

(45) **Date of Patent:** **** Aug. 25, 2009**

(54) **SHELVING**

(75) Inventor: **Jason P. Erickson**, Mesquite, TX (US)

(73) Assignee: **Madix, Inc.**, Terrell, TX (US)

(**) Term: **14 Years**

(21) Appl. No.: **29/331,921**

(22) Filed: **Feb. 5, 2009**

Related U.S. Application Data

(62) Division of application No. 29/258,270, filed on Apr. 19, 2006, now Pat. No. Des. 587,944.

(51) **LOC (9) Cl.** **06-04**

(52) **U.S. Cl.** **D6/511**

(58) **Field of Classification Search** D6/396-397,
D6/477-479, 426, 511; 211/90.01, 134,
211/153, 183, 85.1

See application file for complete search history.

(56) **References Cited**

U.S. PATENT DOCUMENTS

D373,699 S * 9/1996 Moon D6/574
6,640,354 B2 * 11/2003 Bonack et al. 4/611

D518,661 S * 4/2006 Mendini D6/436
D530,939 S * 10/2006 Nakamura D6/425
D555,398 S * 11/2007 Plumb D6/474
D566,423 S * 4/2008 Raile D6/467
D587,944 S * 3/2009 Erickson D6/511

* cited by examiner

Primary Examiner—Elizabeth A Albert

Assistant Examiner—Kelley A Donnelly

(74) *Attorney, Agent, or Firm*—Hitchcock Evert LLP

(57) **CLAIM**

The ornamental design for a shelving, as shown and described.

DESCRIPTION

FIG. 1 is a left front perspective view of the shelving;

FIG. 2 is a front view thereof;

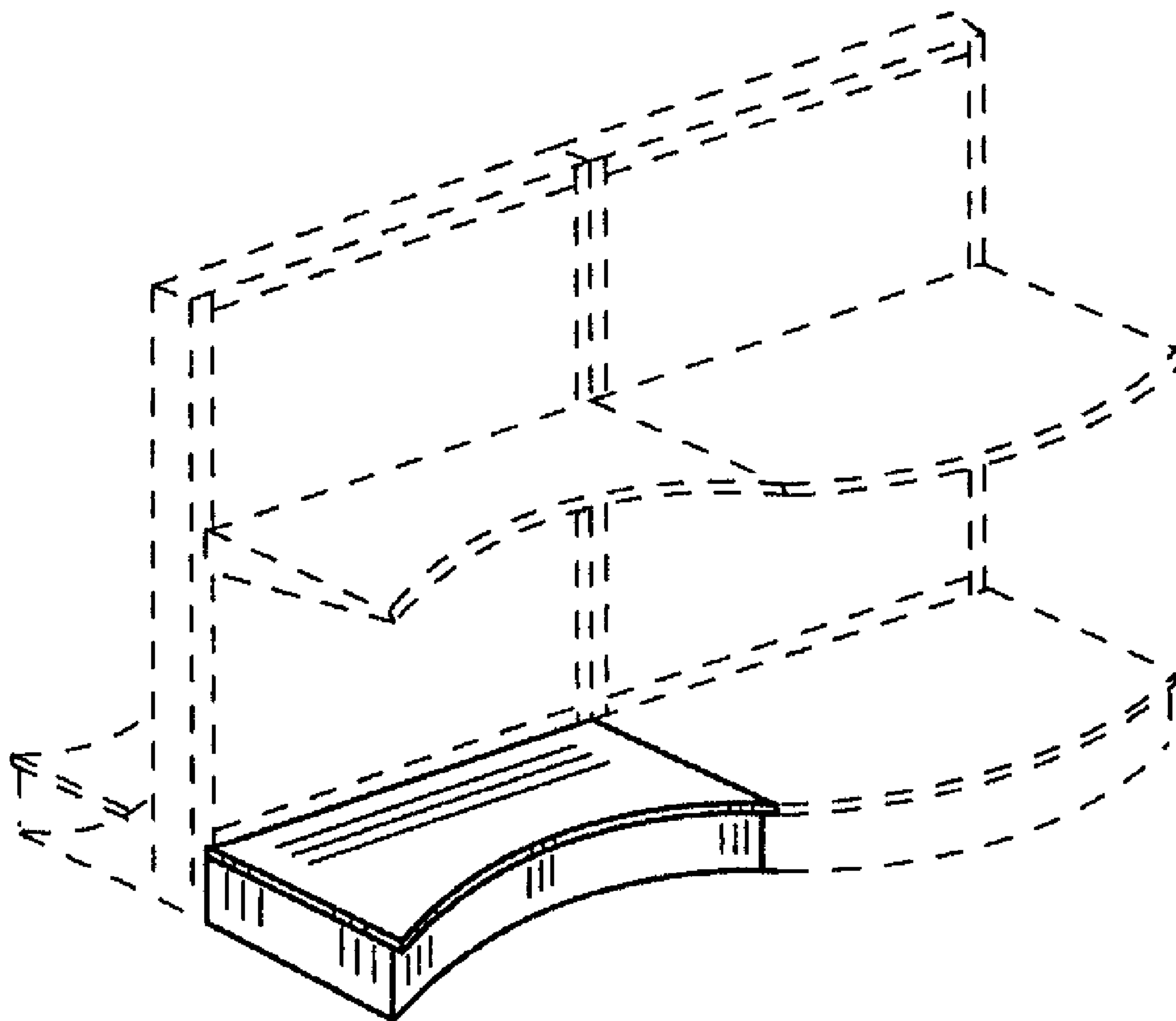
FIG. 3 is a left side view thereof;

FIG. 4 is a right side view thereof; and,

FIG. 5 is a top view thereof.

The broken lines in FIGS. 1-5 are for environmental purposes only and form no part of the claimed design.

1 Claim, 2 Drawing Sheets



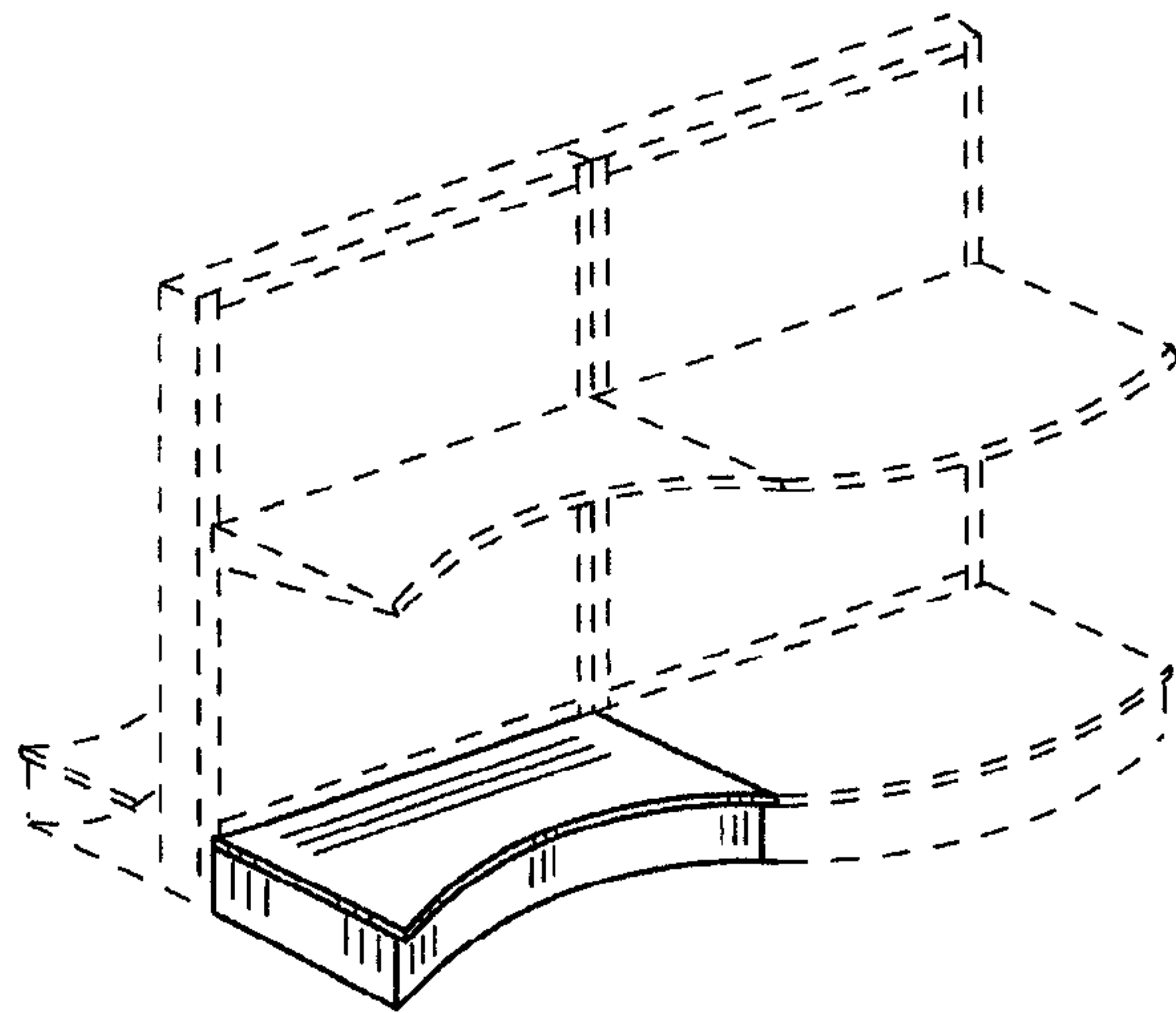


FIG. 1

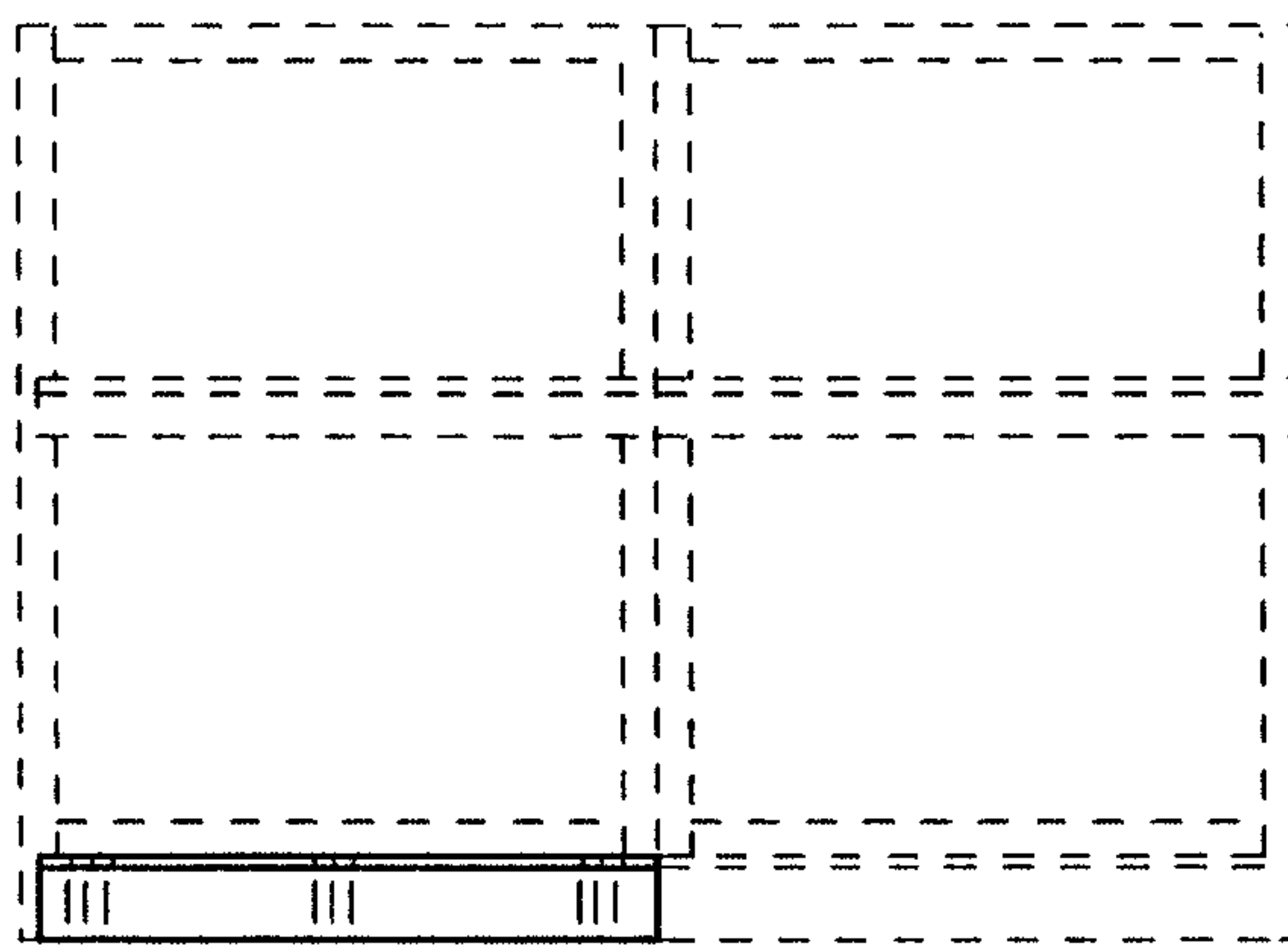


FIG. 2

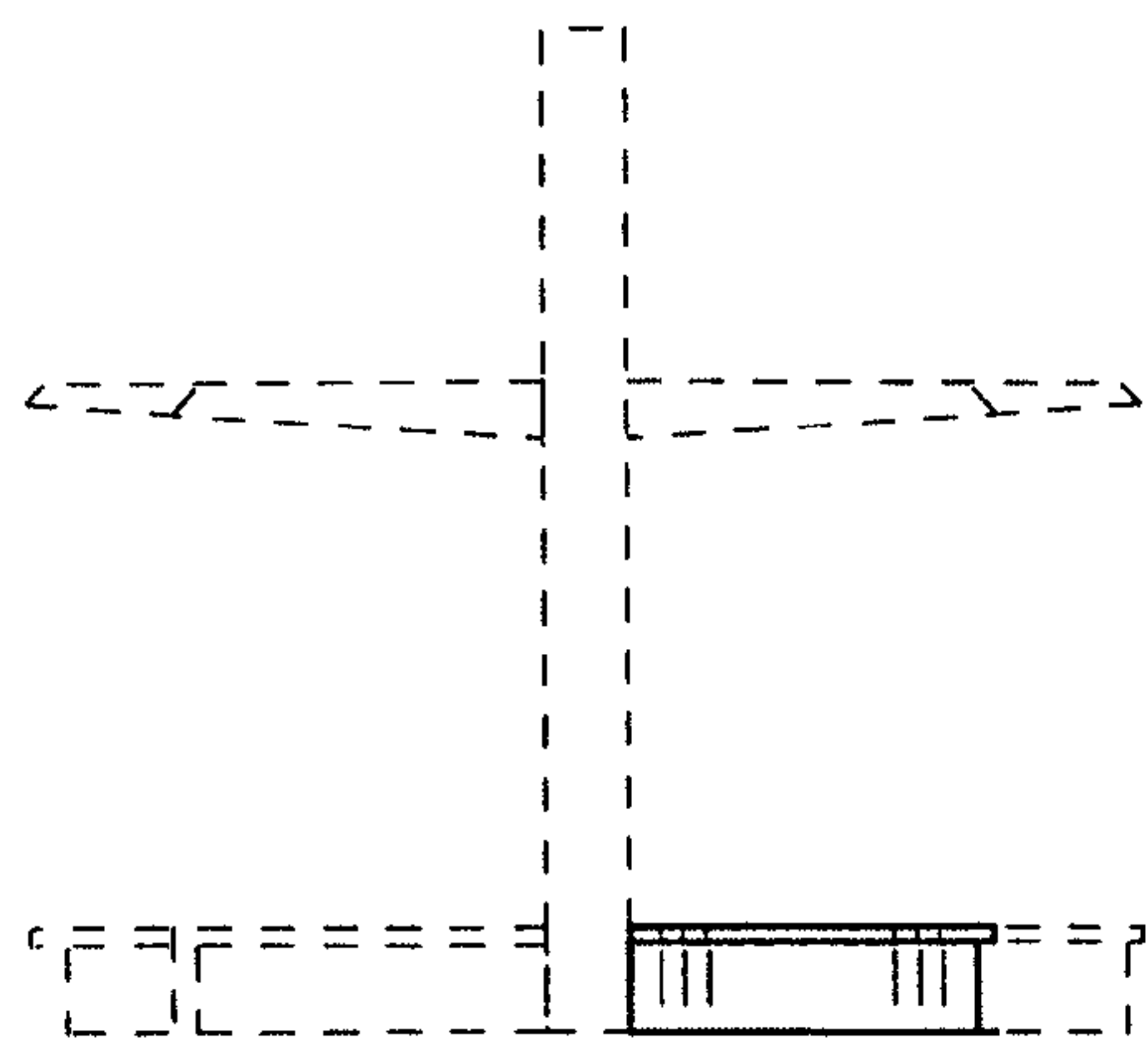


FIG. 3

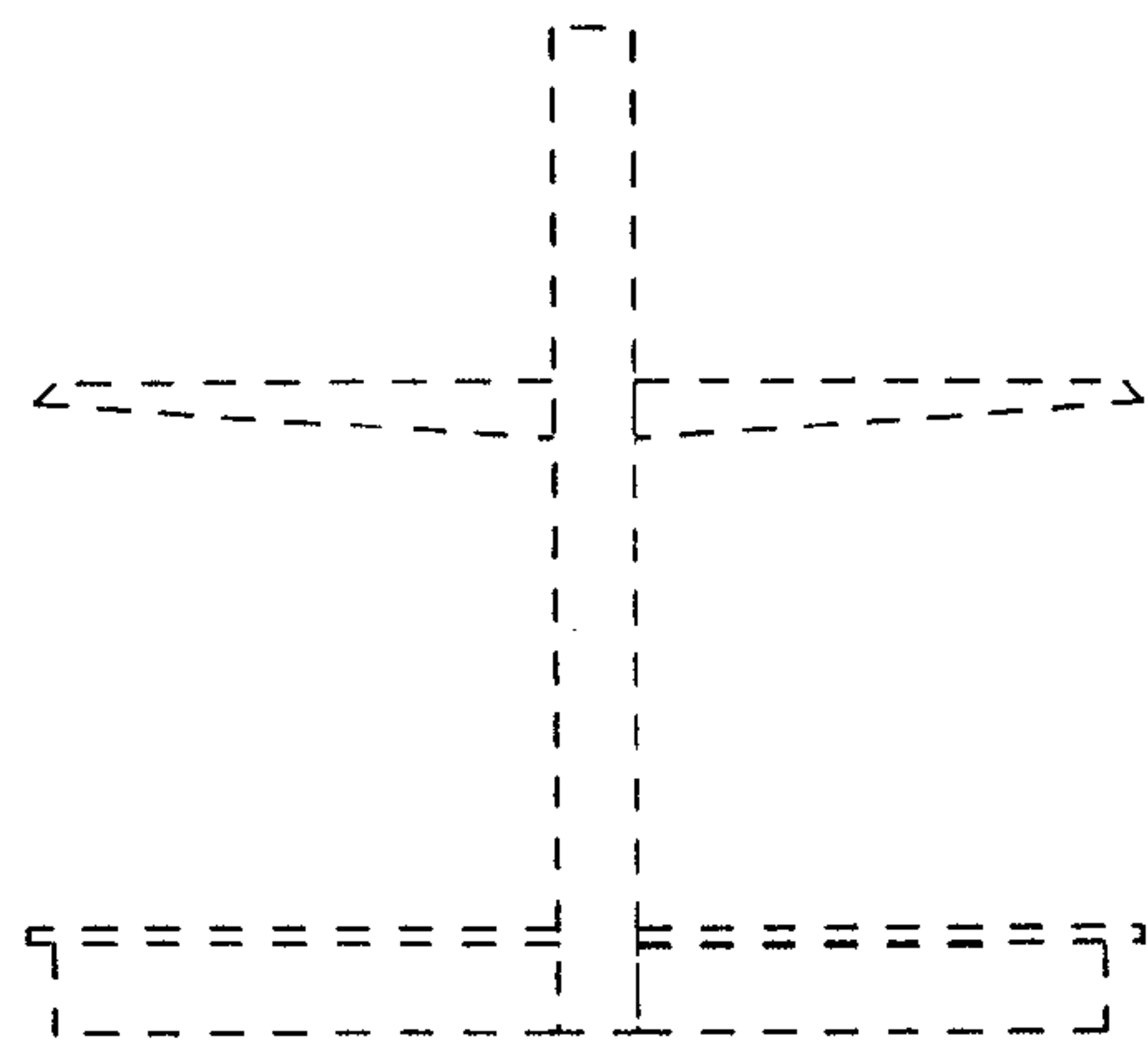


FIG. 4

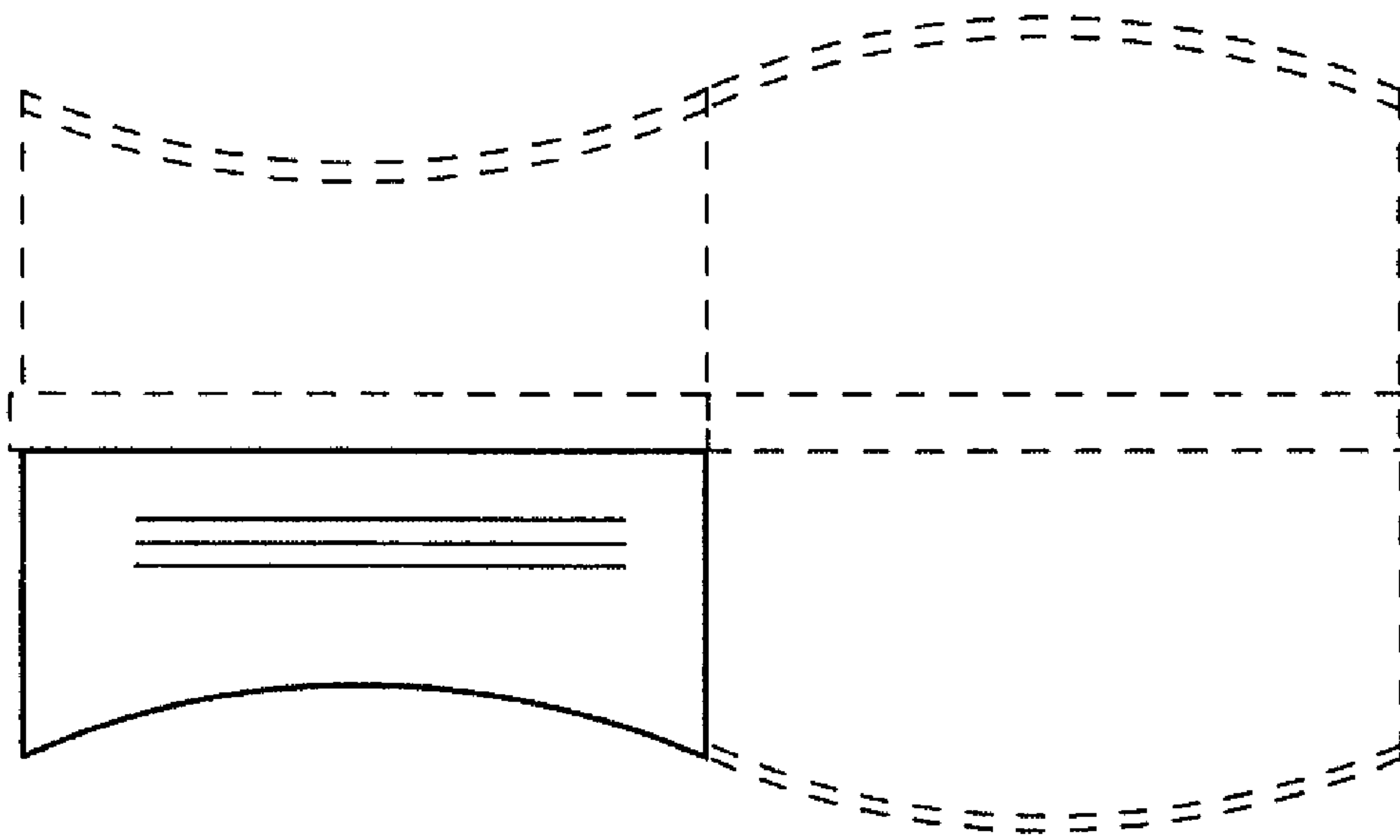


FIG. 5