



US00D598684S

(12) **United States Design Patent**
Stahl

(10) **Patent No.:** **US D598,684 S**

(45) **Date of Patent:** **** Aug. 25, 2009**

(54) **MULTI-LEVEL SLIDING STACKING CONTAINER**

(75) **Inventor:** **Edward L. Stahl**, Tyler, TX (US)

(73) **Assignee:** **Norseman Plastics Ltd.** (CA)

(**) **Term:** **14 Years**

(21) **Appl. No.:** **29/243,824**

(22) **Filed:** **Dec. 1, 2005**

(51) **LOC (9) Cl.** **06-04**

(52) **U.S. Cl.** **D6/511**

(58) **Field of Classification Search** D6/475,
D6/510; D3/304, 306, 307, 312; D19/92;
206/505, 513, 203, 503, 557, 561; 211/126.7,
211/194

See application file for complete search history.

(56) **References Cited**

U.S. PATENT DOCUMENTS

0,465,382 A	12/1891	Marks
1,207,279 A	12/1916	Crum
1,955,236 A	10/1932	Jarvis
2,026,204 A	12/1935	Andrews
2,029,746 A	2/1936	Tufts et al.
2,036,572 A	4/1936	Frost
2,061,414 A	11/1936	Tufts et al.
2,457,841 A	1/1949	Smith et al.
2,457,842 A	1/1949	Smith et al.
2,641,383 A	6/1953	Coursey
3,219,232 A	11/1965	Wilson
3,219,400 A	11/1965	Bergquist
3,375,953 A	4/1968	Miller, Jr.
3,379,339 A	4/1968	Asenbauer
3,387,740 A	6/1968	Bockenstette
3,392,875 A	7/1968	Bockenstette
3,420,402 A	1/1969	Frater et al.
3,420,431 A	1/1969	Donovan
3,421,656 A	1/1969	Asenbauer
3,424,334 A	1/1969	Goltz
3,425,594 A	2/1969	Bridenstine
3,570,697 A	3/1971	Langston
3,659,743 A	5/1972	Box

3,675,815 A	7/1972	Rehrig
3,752,352 A	8/1973	Senecal
3,780,905 A	12/1973	Herolzer
D236,168 S	7/1975	Johnson
3,907,111 A	9/1975	Levenhagen

(Continued)

FOREIGN PATENT DOCUMENTS

CA 892971 2/1972

(Continued)

OTHER PUBLICATIONS

Mexican Foreign Associate Letter date May 9, 2006 with copy of Mexican Office Action issued in Mexican Appl. No. 2011009 dated Apr. 12, 2005 (5 pages).

(Continued)

Primary Examiner—Elizabeth A Albert
Assistant Examiner—Kelley A Donnelly

(74) *Attorney, Agent, or Firm*—Katten Muchin Rosenman LLP

(57) **CLAIM**

The ornamental design for a multi-level sliding stacking container, as shown and described.

DESCRIPTION

FIG. 1 is a front perspective view of a multi-level sliding and stacking container with a front wall merchandiser window showing my new design;

FIG. 2 is a bottom perspective view thereof;

FIG. 3 is a front view thereof;

FIG. 4 is a back view thereof;

FIG. 5 is a right side view thereof;

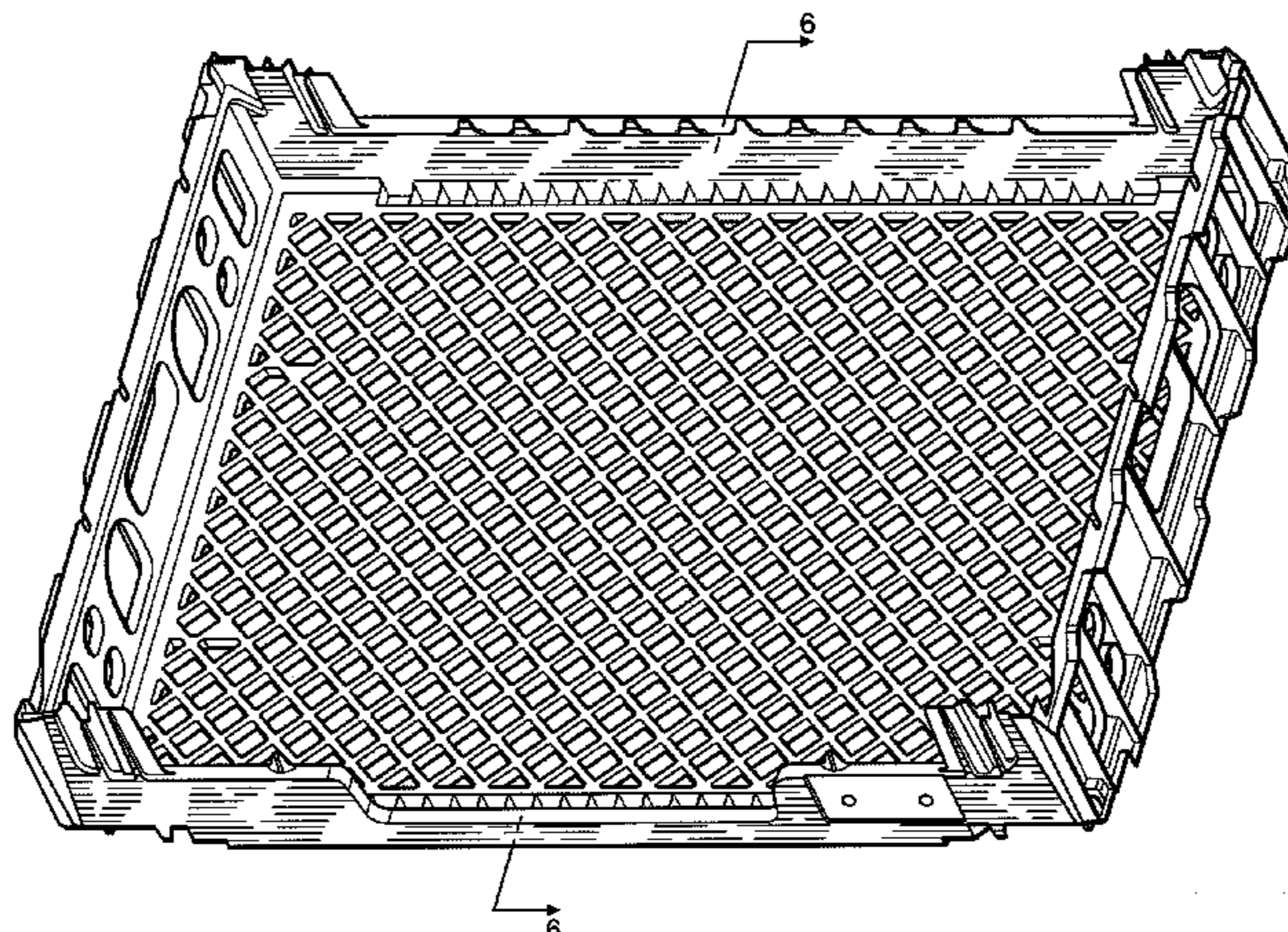
FIG. 6 is a right side interior-to-exterior view thereof;

FIG. 7 is a left side view thereof;

FIG. 8 is a top view thereof; and,

FIG. 9 is a bottom view thereof.

1 Claim, 9 Drawing Sheets



US D598,684 S

Page 2

U.S. PATENT DOCUMENTS					
3,934,724 A	1/1976	Johnson	D379,718 S	6/1997	Raghunathan
3,951,265 A	4/1976	Carroll	D381,203 S	7/1997	Ackermann et al.
3,952,903 A	4/1976	Sanders et al.	D384,975 S *	10/1997	Jackson D19/92
3,993,211 A	11/1976	Astle	5,735,431 A	4/1998	LeTrudet
4,000,817 A	1/1977	Sanders et al.	5,752,602 A	5/1998	Ackermann et al.
4,093,070 A *	6/1978	Stahl 206/507	5,772,033 A	6/1998	Loftus et al.
4,093,071 A	6/1978	Stahl et al.	D398,448 S	9/1998	Zanni
4,102,453 A	7/1978	Carroll et al.	D400,711 S	11/1998	Hwang
4,105,117 A	8/1978	Atkin et al.	D401,066 S	11/1998	Ackermann
4,106,623 A	8/1978	Carroll et al.	D401,412 S	11/1998	LeTrudet
4,106,624 A	8/1978	Thurman	5,860,527 A	1/1999	Frankenberg et al.
4,106,625 A	8/1978	Carroll et al.	5,881,902 A *	3/1999	Ackermann 206/509
4,109,791 A	8/1978	Clipson et al.	5,896,987 A	4/1999	Bettenhausen
4,189,052 A	2/1980	Carroll et al.	5,896,992 A	4/1999	McGrath
4,194,626 A	3/1980	Boller	5,975,324 A	11/1999	Schmitt
4,211,327 A	7/1980	Stahl et al.	5,992,673 A	11/1999	Hwang
4,238,032 A	12/1980	Thurman	6,015,056 A	1/2000	Overholt et al.
D258,050 S	1/1981	Cornou	D420,219 S	2/2000	Elvin-Jensen et al.
4,247,004 A	1/1981	Bird	6,036,049 A	3/2000	Hwang
4,316,154 A	2/1982	Krause	D423,217 S	4/2000	Varfeldt
4,320,837 A	3/1982	Carroll et al.	D424,299 S *	5/2000	Varfeldt D3/309
D269,017 S *	5/1983	Martin D19/92	6,062,388 A	5/2000	Ohayon
4,383,611 A	5/1983	Kreeger	D429,565 S	8/2000	Aiken
4,391,369 A	7/1983	Stahl et al.	6,098,827 A	8/2000	Overholt et al.
4,423,813 A	1/1984	Kreeger et al.	6,138,863 A	10/2000	Aiken
4,426,001 A	1/1984	Stahl et al.	6,149,053 A	11/2000	Chatterton et al.
4,440,302 A	4/1984	Ehrman et al.	D436,729 S	1/2001	Aiken
4,442,969 A	4/1984	Holden	D439,049 S *	3/2001	Koefeldt D3/304
4,457,433 A	7/1984	Wilson	6,209,742 B1	4/2001	Overholt et al.
4,466,541 A	8/1984	Tabler et al.	6,250,490 B1	6/2001	Loftus
4,520,928 A	6/1985	Wilson	6,260,706 B1 *	7/2001	Koefeldt 206/505
4,523,681 A *	6/1985	Kreeger 206/507	D446,017 S	8/2001	Koefeldt
4,573,577 A	3/1986	Miller	D446,392 S	8/2001	Overholt et al.
4,577,759 A	3/1986	Kreeger	D446,939 S *	8/2001	Koefeldt D3/307
4,600,103 A	7/1986	Tabler	6,273,259 B1	8/2001	Stahl
4,601,393 A	7/1986	Veenman et al.	6,293,418 B1	9/2001	Ogden et al.
RE32,223 E	8/1986	Kreeger et al.	6,308,858 B1	10/2001	Koefeldt
4,619,366 A	10/1986	Kreeger	D452,614 S	1/2002	Overholt
4,619,371 A	10/1986	Rehrig	6,338,181 B1	1/2002	Hwang
4,643,310 A	2/1987	Deaton et al.	6,386,388 B1	5/2002	Overholt
4,671,411 A	6/1987	Rehrig et al.	6,394,274 B1	5/2002	Cheeseman
D292,634 S	11/1987	Chabot	D458,753 S	6/2002	Overholt et al.
4,848,578 A	7/1989	Schäfer	6,398,054 B1	6/2002	Overholt et al.
4,905,833 A	3/1990	Kreeger et al.	6,405,888 B1	6/2002	Overholt et al.
4,936,458 A	6/1990	Tabler et al.	6,409,041 B1	6/2002	Overholt et al.
4,960,207 A	10/1990	Tabler et al.	D460,619 S	7/2002	Koefeldt
4,982,844 A	1/1991	Madan et al.	D463,667 S	10/2002	Hwang
5,035,326 A *	7/1991	Stahl 206/507	6,460,717 B1	10/2002	Smyers et al.
D319,908 S *	9/1991	Stahl D3/304	D478,421 S	8/2003	Overholt et al.
D320,298 S	9/1991	Apps et al.	6,601,724 B1	8/2003	Koefeldt et al.
5,163,587 A	11/1992	Apps et al.	6,607,199 B2	8/2003	Gruber
D334,412 S *	3/1993	Feer D19/92	6,631,822 B1	10/2003	Overholt
D343,042 S	1/1994	Apps et al.	6,843,386 B2	1/2005	Raghunathan et al.
D344,387 S	2/1994	Holliday	6,857,642 B2	2/2005	Gruber
5,287,966 A *	2/1994	Stahl 206/509	6,863,180 B2	3/2005	Apps et al.
D348,138 S	6/1994	Lang-Ree et al.	6,880,705 B2	4/2005	Ötting et al.
D348,342 S	6/1994	Lang-Ree et al.	6,886,710 B2 *	5/2005	Verna et al. 220/507
D348,343 S	6/1994	Lang-Ree et al.	6,899,242 B2	5/2005	Overholt et al.
D350,028 S	8/1994	Apps	6,918,502 B1	7/2005	Overholt et al.
D350,437 S	9/1994	Apps et al.	6,918,508 B2	7/2005	Hwang
5,344,021 A	9/1994	Rose	6,994,216 B2	2/2006	Wong
5,344,022 A *	9/1994	Stahl 206/507	7,017,745 B2 *	3/2006	Raghunathan 206/506
5,372,257 A *	12/1994	Beauchamp et al. 206/504	7,017,766 B2	3/2006	Hsu et al.
D354,167 S *	1/1995	Stahl D3/304	7,044,319 B2	5/2006	Overholt et al.
5,377,858 A	1/1995	Morris, Sr.	7,048,134 B1	5/2006	Hagan
5,415,293 A	5/1995	Ackermann et al.	7,048,135 B2	5/2006	Smyers et al.
5,469,986 A	11/1995	Jang	7,059,489 B2	6/2006	Apps et al.
5,494,163 A	2/1996	Apps	7,063,210 B2	6/2006	Smyers et al.
D374,555 S	10/1996	McMath	7,086,555 B2	8/2006	Overholt et al.
5,582,296 A *	12/1996	Beauchamp et al. 206/503	7,100,786 B2	9/2006	Smyers
5,609,254 A	3/1997	Loftus et al.	7,104,414 B2	9/2006	Apps et al.
			7,104,553 B2 *	9/2006	Gruber 280/33.991
			7,128,231 B2	10/2006	Overholt

US D598,684 S

7,195,127	B2	3/2007	Hsu et al.	CA	2296895	A1	7/2000
7,264,122	B2	9/2007	Koefeldt et al.	CA	2326118	A1	5/2001
7,320,405	B2	1/2008	Stahl	CA	2387491	A1	5/2001
2002/0056717	A1	5/2002	Hwang	CA	2389010		5/2001
2002/0130132	A1	9/2002	Overholt	CA	2392265	A1	6/2001
2002/0148842	A1	10/2002	Overholt et al.	CA	2395367	A1	7/2001
2002/0153682	A1	10/2002	Gruber	CA	2397522	A1	8/2001
2002/0158067	A1	10/2002	Overholt et al.	CA	2406099	A1	10/2001
2002/0179480	A1*	12/2002	Raghunathan et al. 206/505	CA	2408247		11/2001
2003/0015539	A1	1/2003	Hayes et al.	CA	2384941	A1	1/2002
2003/0024845	A1	2/2003	Smyers et al.	CA	2421595	A1	3/2002
2003/0042255	A1	3/2003	Smyers et al.	CA	2426949	A1	5/2002
2003/0116564	A1	6/2003	Overholt et al.	CA	2367649	A1	7/2002
2003/0132228	A1	7/2003	Apps et al.	CA	2442723		10/2002
2003/0155275	A1	8/2003	Apps et al.	CA	2455355	A1	2/2003
2003/0183549	A1	10/2003	Verna et al.	CA	2458773	A1	3/2003
2003/0222081	A1	12/2003	Apps et al.	CA	2472360	A1	7/2003
2003/0230510	A1	12/2003	Aiken et al.	CA	2475531	A1	9/2003
2004/0020821	A1	2/2004	Koefeldt et al.	CA	2485544	A1	12/2003
2004/0050742	A1	3/2004	Gruber	CA	2448920		7/2004
2004/0060844	A1*	4/2004	Stahl 206/499	CA	2130973	A1	9/2007
2004/0069780	A1	4/2004	Apps et al.	CA	2431444	A1	9/2007
2004/0074801	A1	4/2004	Ritter et al.	EP	0370771		5/1990
2004/0099662	A1	5/2004	Overholt	FR	1131652		10/1956
2004/0104231	A1	6/2004	Hassell et al.	FR	2678585	A1	1/1993
2004/0144680	A1	7/2004	Stahl	GB	2059920	A	4/1981
2004/0155048	A1	8/2004	Aiken	GB	2129401	A	5/1984
2004/0178197	A1	9/2004	Hsu et al.	GB	2137167	A	10/1984
2004/0182858	A1	9/2004	Smyers	GB	2171980		9/1986
2004/0195139	A1	10/2004	Wong	GB	2180821		4/1987
2004/0226945	A1	11/2004	Hsu et al.	JP	9239739		9/1997
2004/0245142	A1*	12/2004	Raghunathan 206/506	TW	338405		8/1998
2005/0140107	A1	6/2005	Gruber	TW	372539		10/1999
2005/0183980	A1	8/2005	Fernandez et al.	WO	0027716		5/2000
2006/0011627	A1	1/2006	Overholt et al.	WO	0066440		11/2000
2006/0096883	A1*	5/2006	Raghunathan et al. 206/506				
2006/0180491	A1	8/2006	Zephir et al.				
2006/0186123	A1	8/2006	Baltz et al.				
2006/0196800	A1	9/2006	Baltz				
2006/0231555	A1	10/2006	Smyers et al.				
2006/0237341	A1	10/2006	McDade				
2007/0056874	A1	3/2007	Apps et al.				
2007/0144931	A1	6/2007	McTavish et al.				
2007/0175790	A1	8/2007	Fernandez et al.				
2007/0187276	A1	8/2007	Stahl				

FOREIGN PATENT DOCUMENTS

CA	1273881	A	9/1990
CA	2032012	A1	6/1991
CA	2129617	C	2/1995
CA	2212239	C	8/1996
CA	2484830	A1	8/1996
CA	2313137	A1	7/1999

OTHER PUBLICATIONS

Office Action dated May 27, 2004, issued in EP Application No. 01 931 263.6-2308 (2 pages).

Office Action dated Jun. 2, 2005, issued in EP Application No. 01 931 263.6-2308 (3 pages).

Office Action dated Jan. 16, 2006, issued in Canadian Application No. 2,448,920 (2 pages).

Office Action dated Nov. 24, 2005, issued in Canadian Application No. 2,408,247 (3 pages).

Office Action dated Feb. 20, 2006, issued in Canadian Application No. 2,367,649 (2 pages).

Office Action dated Dec. 12, 2005, issued in Canadian Application No. 2,431,444 (2 pages).

International Preliminary Examination Report dated Sep. 10, 2002, issued in PCT/CA01/00640 (11 pages).

“Wavin Crate, allegedly circa 1998”; 3 sheets-photos.

* cited by examiner

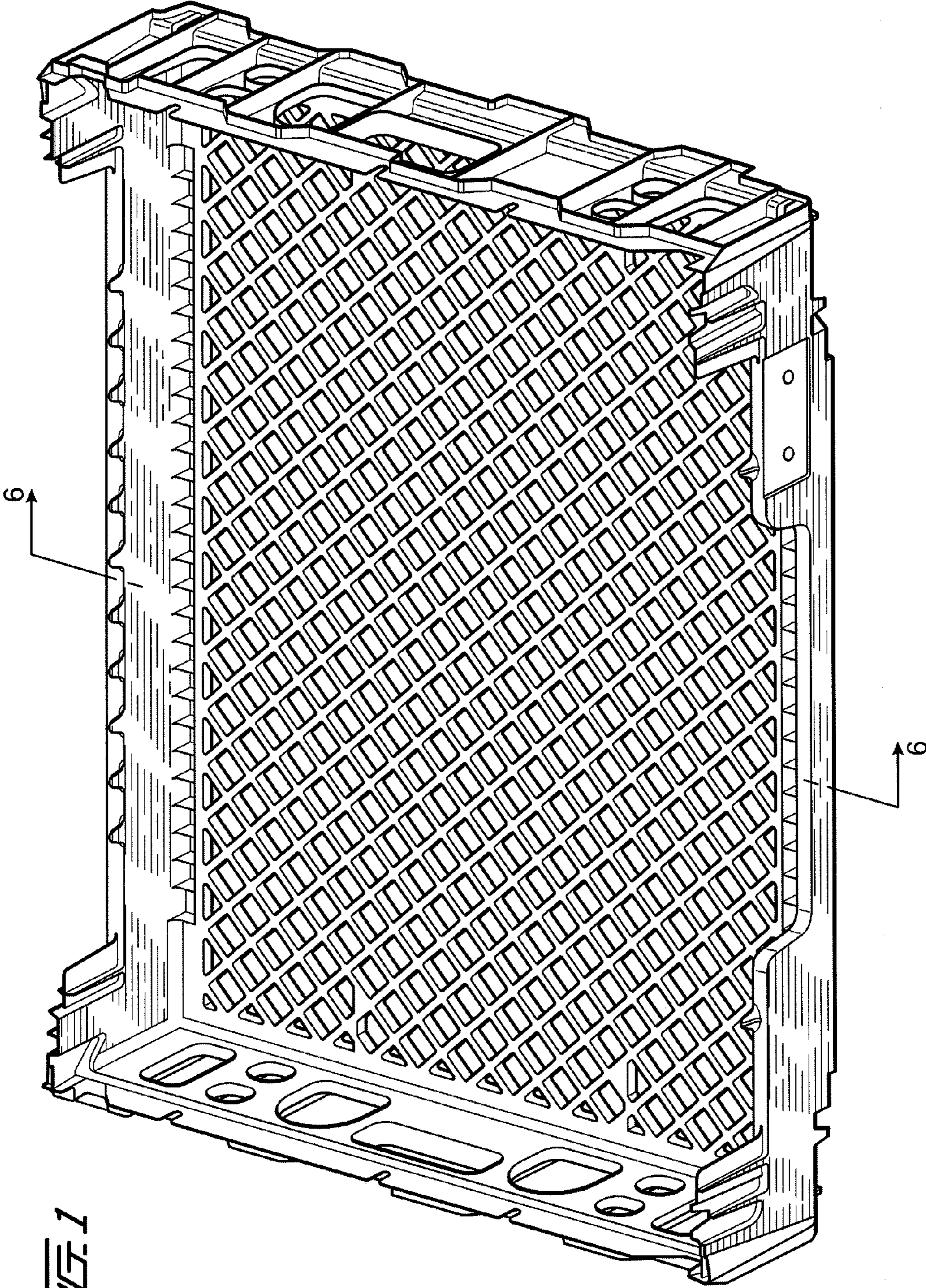


FIG. 1

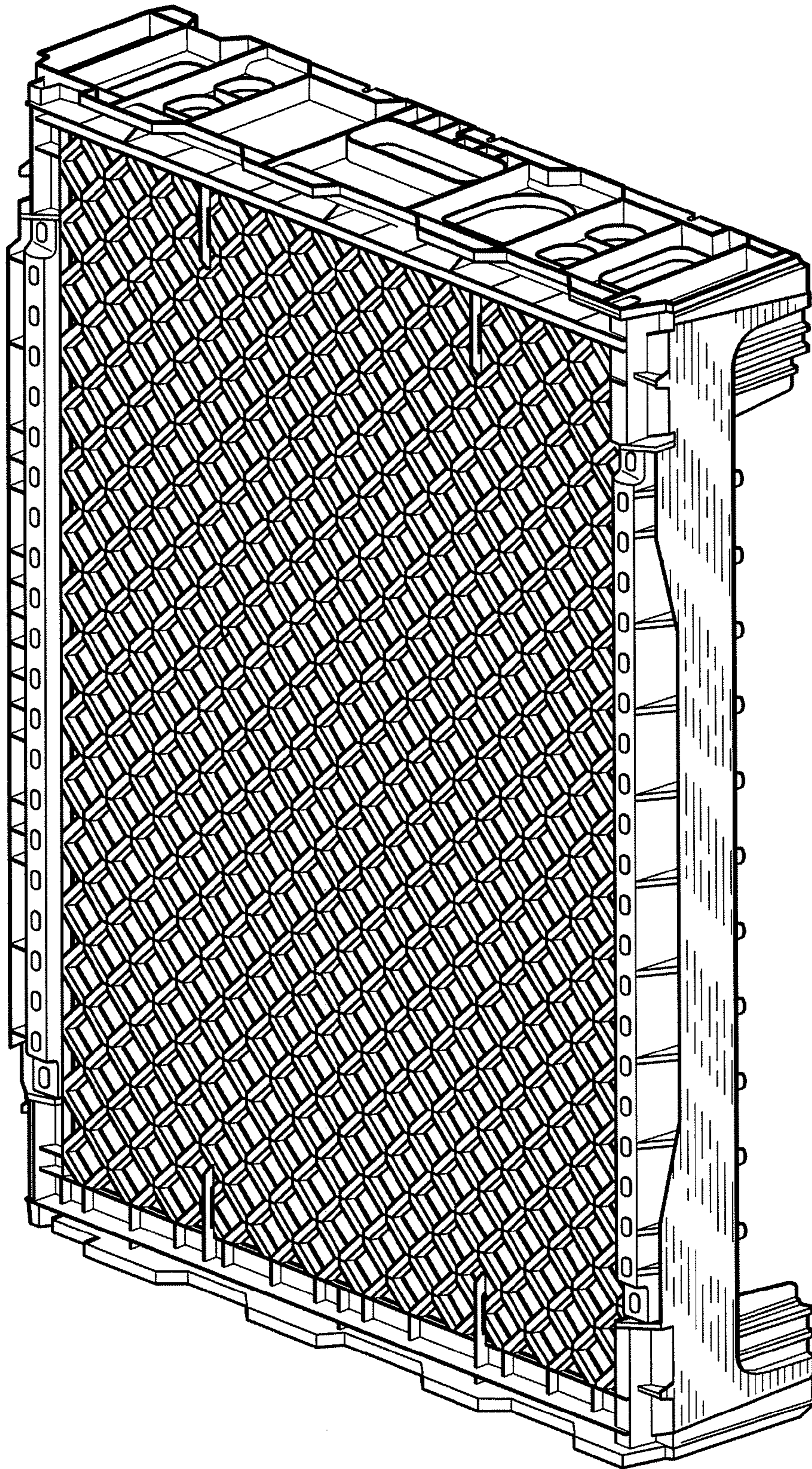


FIG. 2

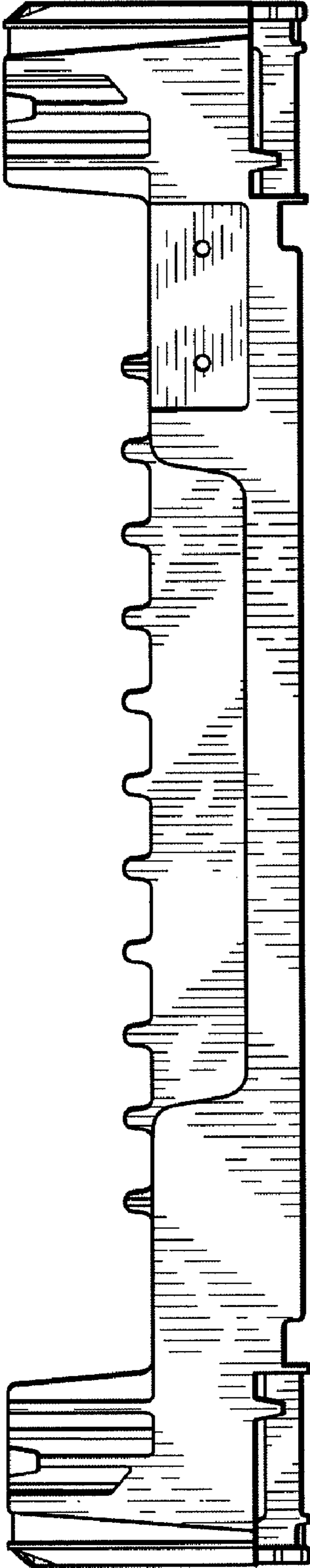


FIG. 3

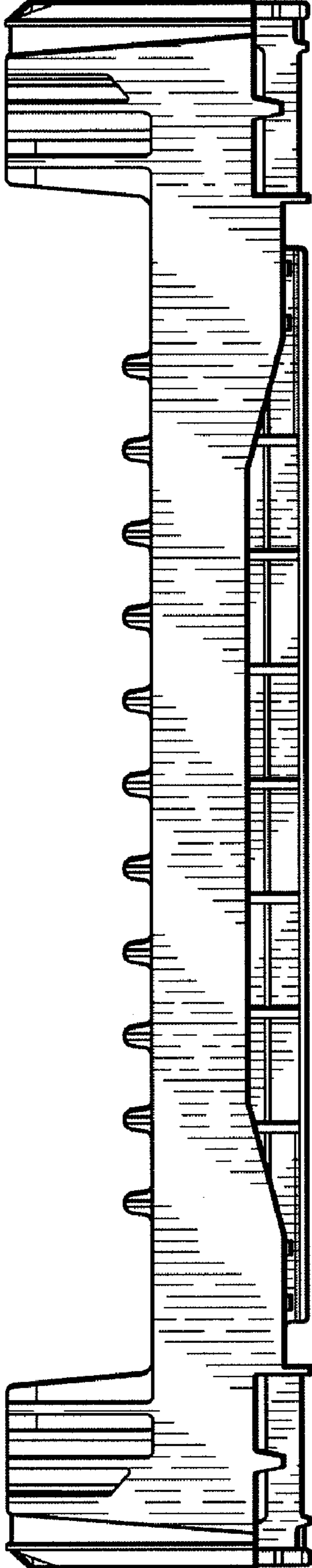


FIG. 4

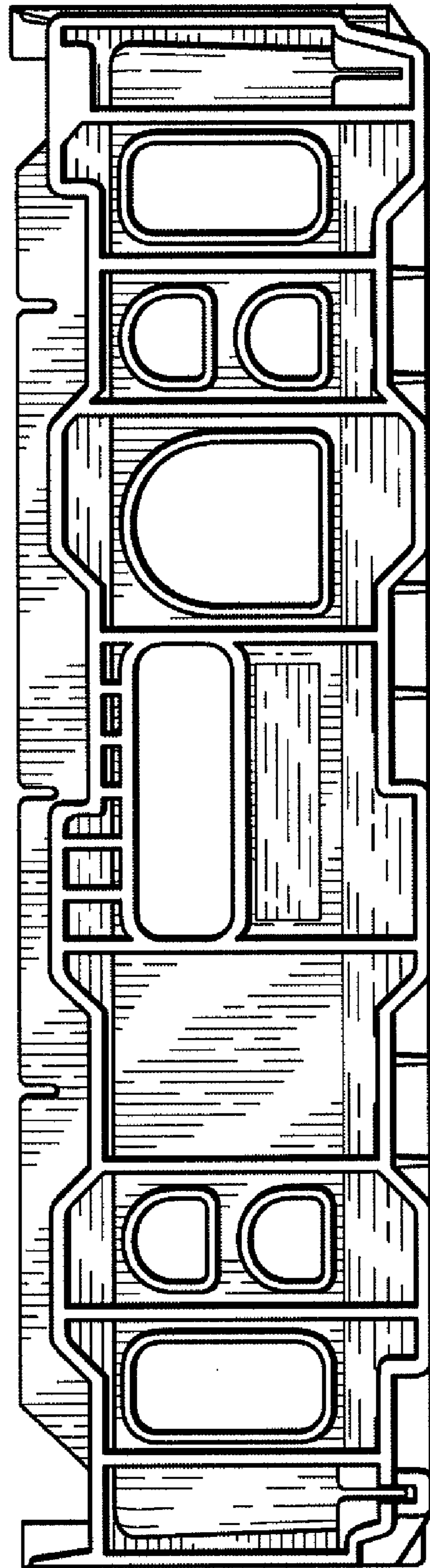


FIG. 5

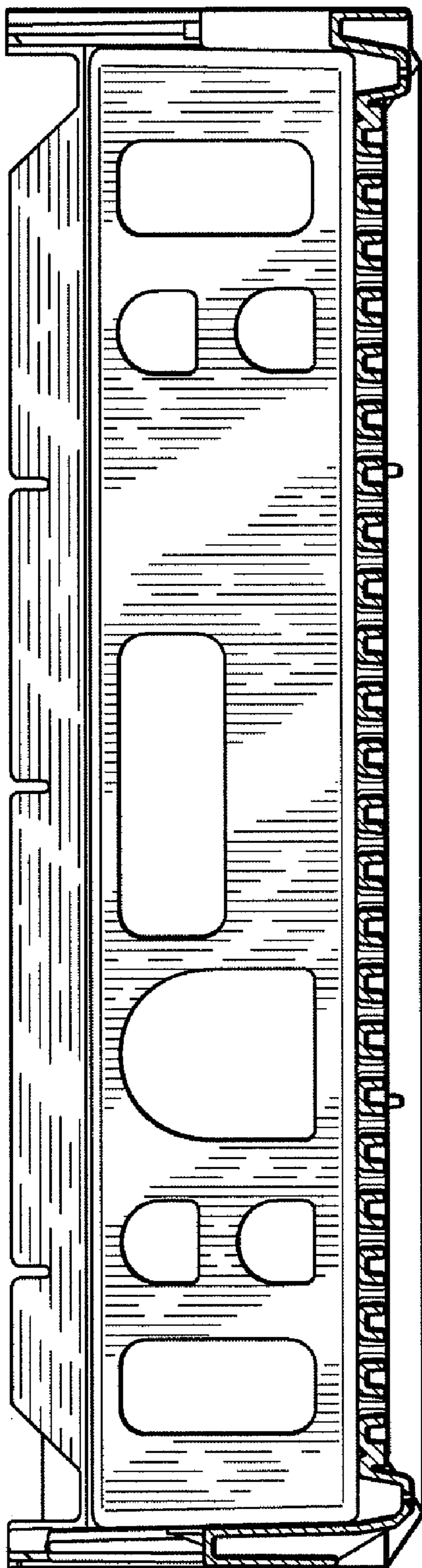


FIG. 6

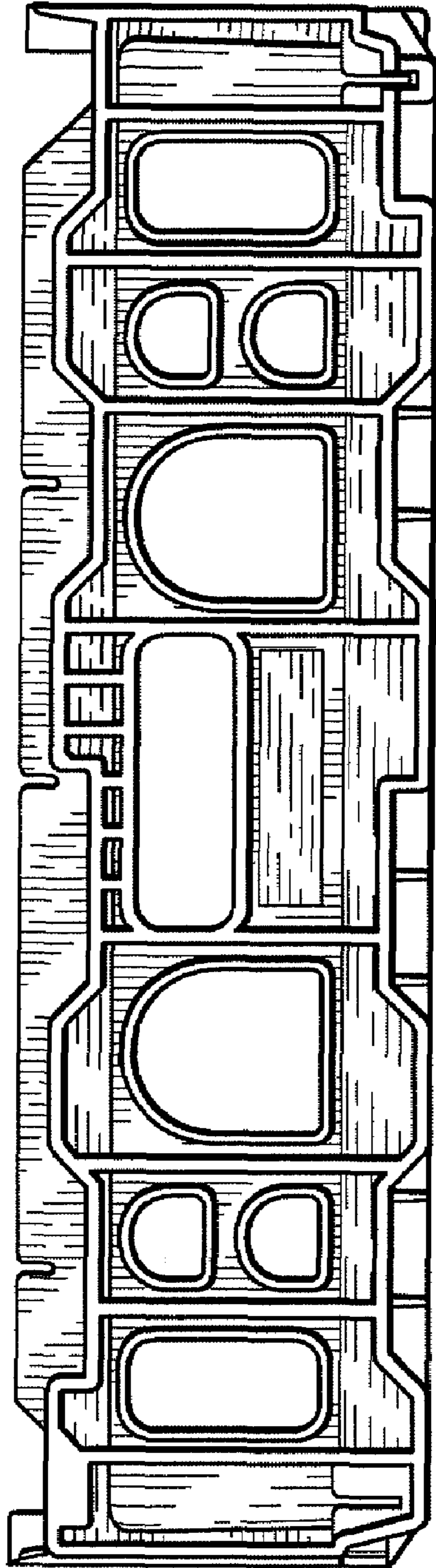


FIG. 7

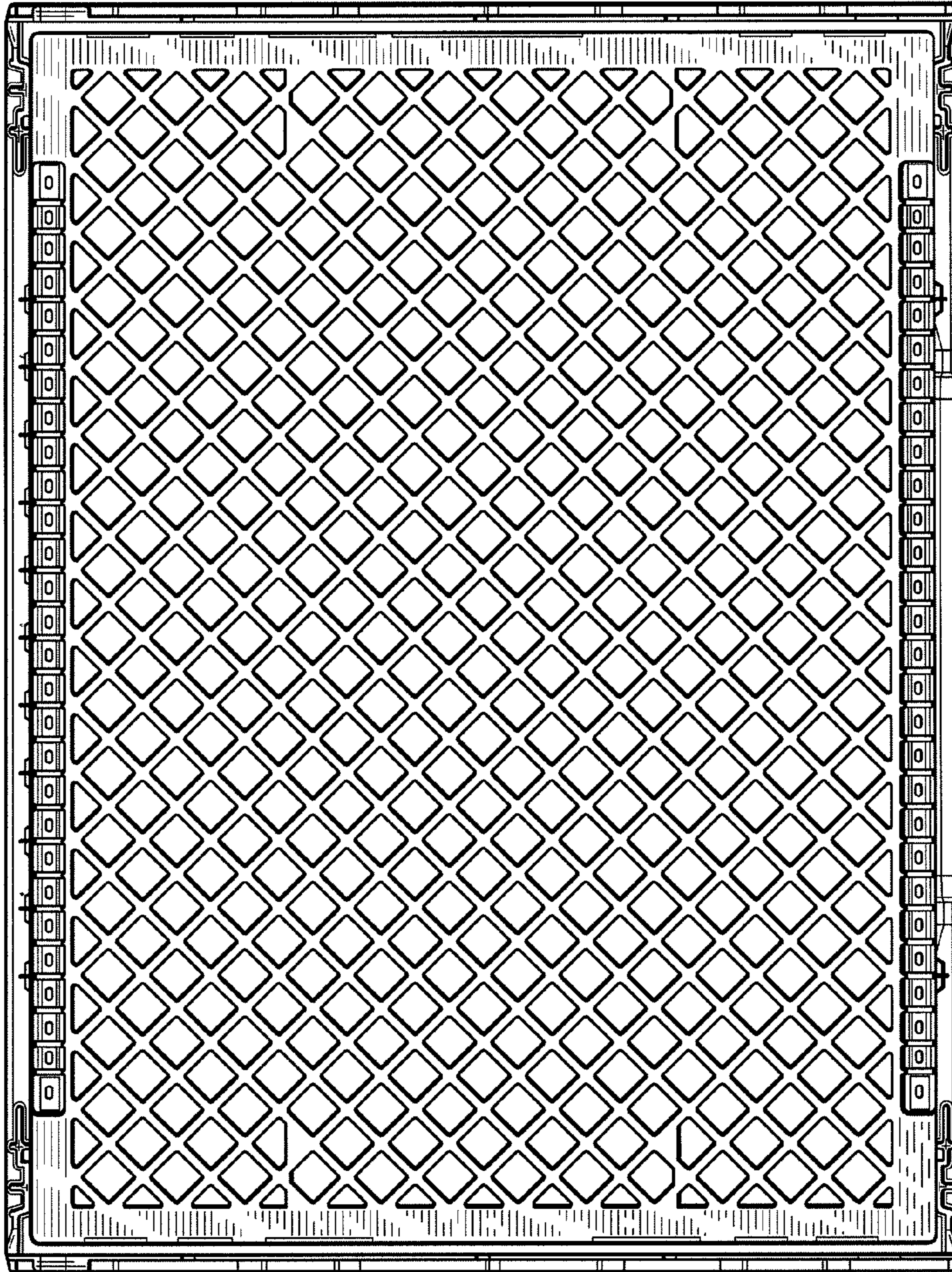


FIG. 8

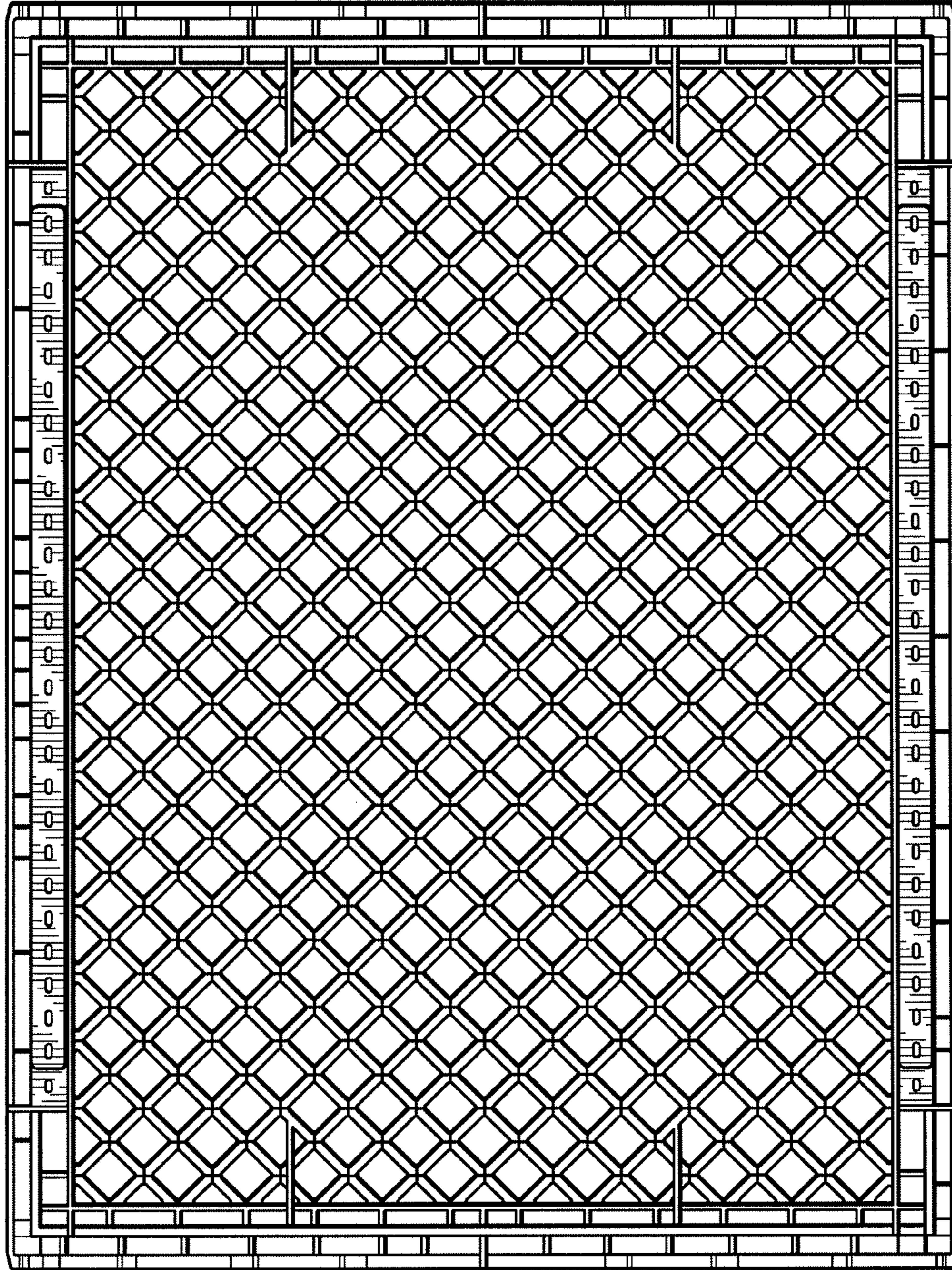


FIG. 8