



US00D598680S

(12) **United States Design Patent**
Birk

(10) **Patent No.:** **US D598,680 S**

(45) **Date of Patent:** **** Aug. 25, 2009**

(54) **MODULAR SEAT FOR A WHEELCHAIR**

(75) Inventor: **Kåre Birk**, Skanderborg (DK)

(73) Assignee: **R82 A/S**, Gedved (DK)

(**) Term: **14 Years**

(21) Appl. No.: **29/274,510**

(22) Filed: **Apr. 27, 2007**

(30) **Foreign Application Priority Data**

Oct. 31, 2006 (EP) 000613963

(51) **LOC (9) Cl.** **06-01**

(52) **U.S. Cl.** **D6/500; D12/133**

(58) **Field of Classification Search** D12/128-133;
280/62, 647-650, 29, 200, 47.38, 35, 250.1,
280/259, 642, 658; 296/65.03, 65.04; D6/500-502;
135/65-67, 74

See application file for complete search history.

(56) **References Cited**

U.S. PATENT DOCUMENTS

4,874,182 A * 10/1989 Clark 280/30

D321,992 S * 12/1991 Butler D6/356

5,478,096 A * 12/1995 Ting 280/30
5,636,900 A * 6/1997 Wilkie et al. 297/423.19
D399,353 S * 10/1998 Krass et al. D6/375
6,032,975 A * 3/2000 Hanson et al. 280/647
D461,320 S * 8/2002 Sher D6/333
6,612,645 B1 * 9/2003 Hsu 297/195.13
D507,769 S * 7/2005 Terzo D12/133
D579,219 S * 10/2008 Schrodel D6/356
2004/0189068 A1 * 9/2004 Meeker et al. 297/250.1

* cited by examiner

Primary Examiner—Charles A Rademaker

Assistant Examiner—Charles D Hanson

(74) *Attorney, Agent, or Firm*—Dykema Gossett PLLC

(57) **CLAIM**

The ornamental design for a modular seat for a wheelchair, as shown and described.

DESCRIPTION

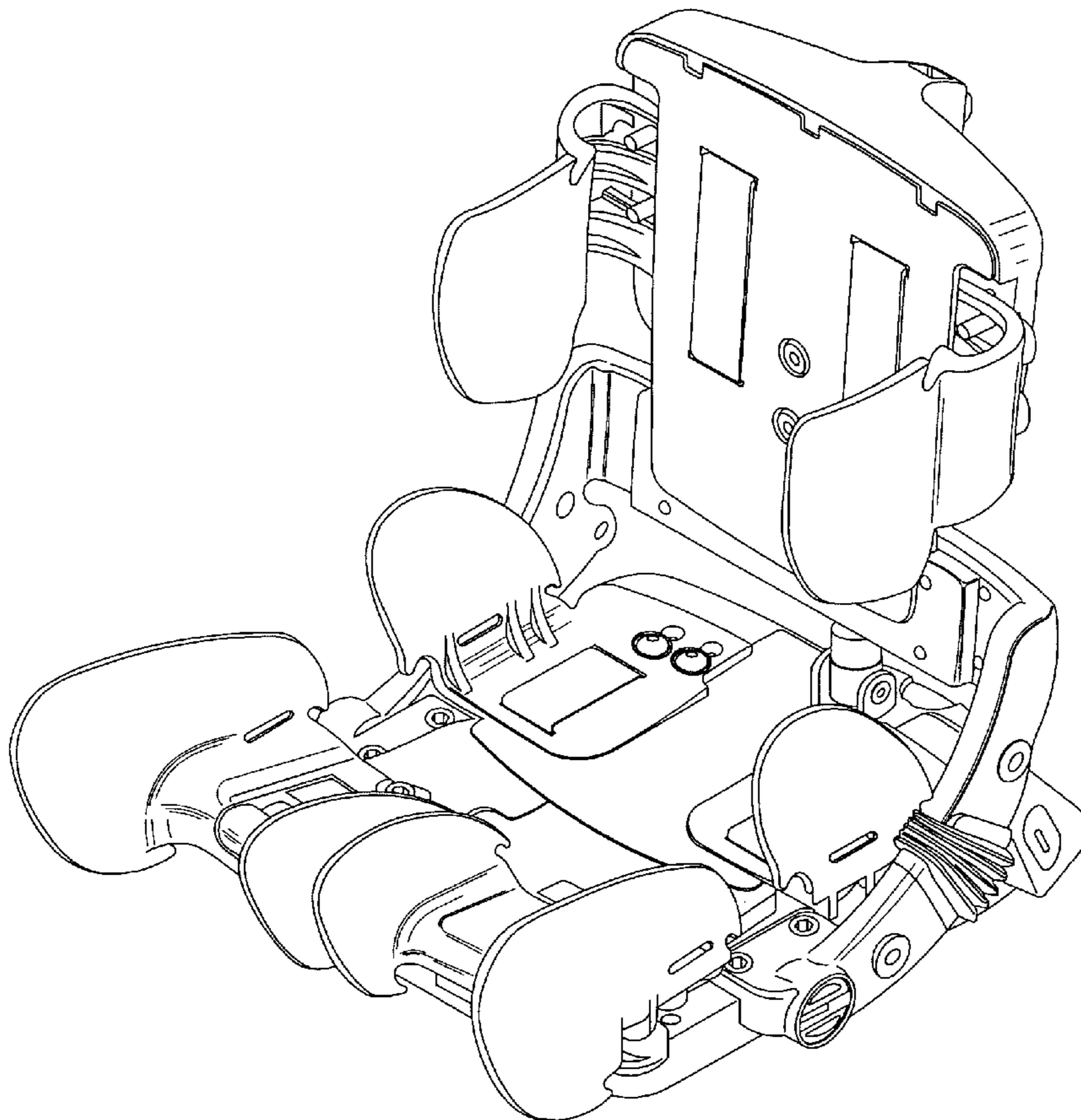
FIG. 1 is a perspective view of a modular seat for a wheelchair showing my new design,

FIG. 2 is a right side elevational view thereof,

FIG. 3 is a top plan view thereof; and,

FIG. 4 is a front elevational view thereof.

1 Claim, 4 Drawing Sheets



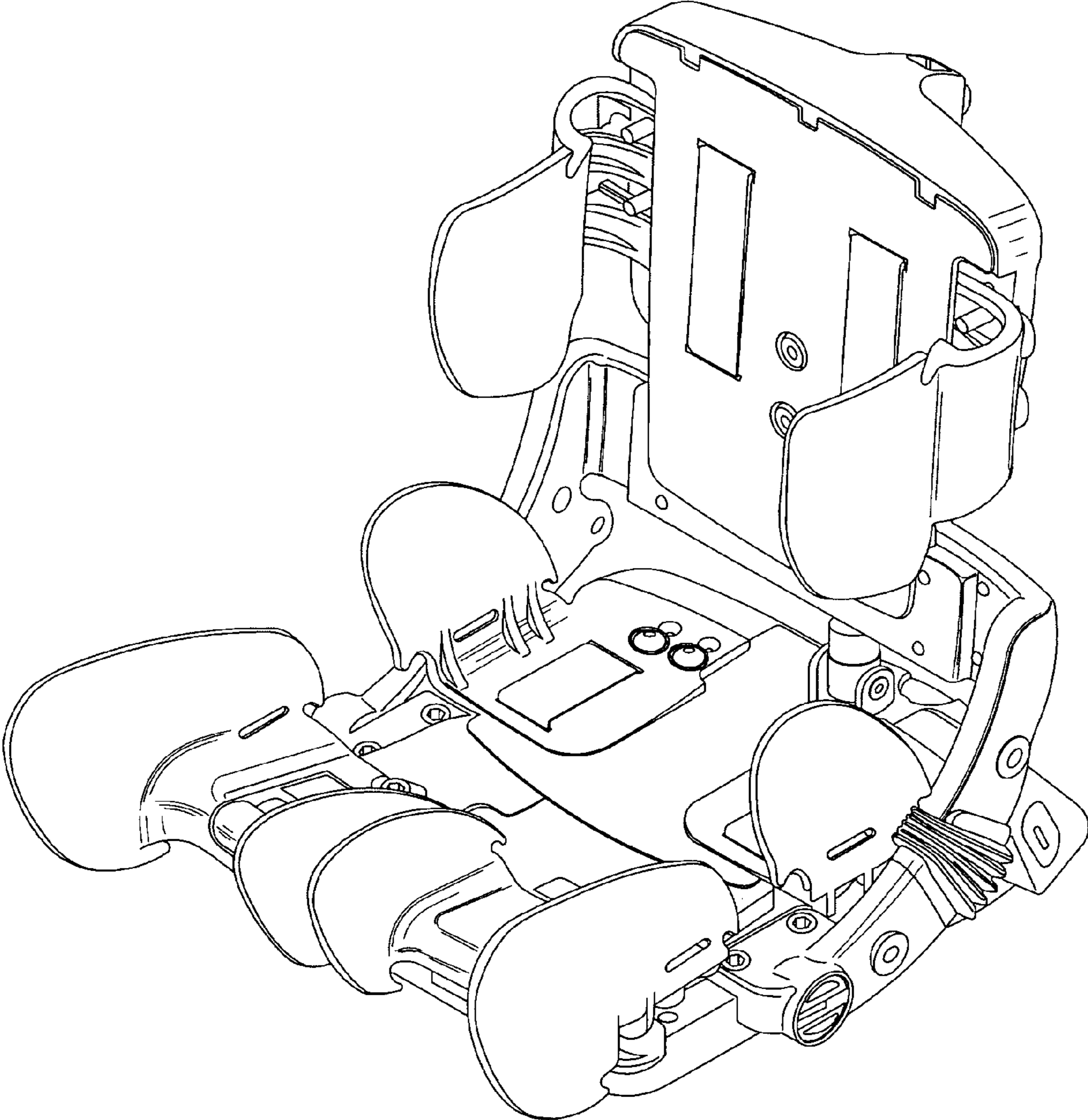


FIG. 1

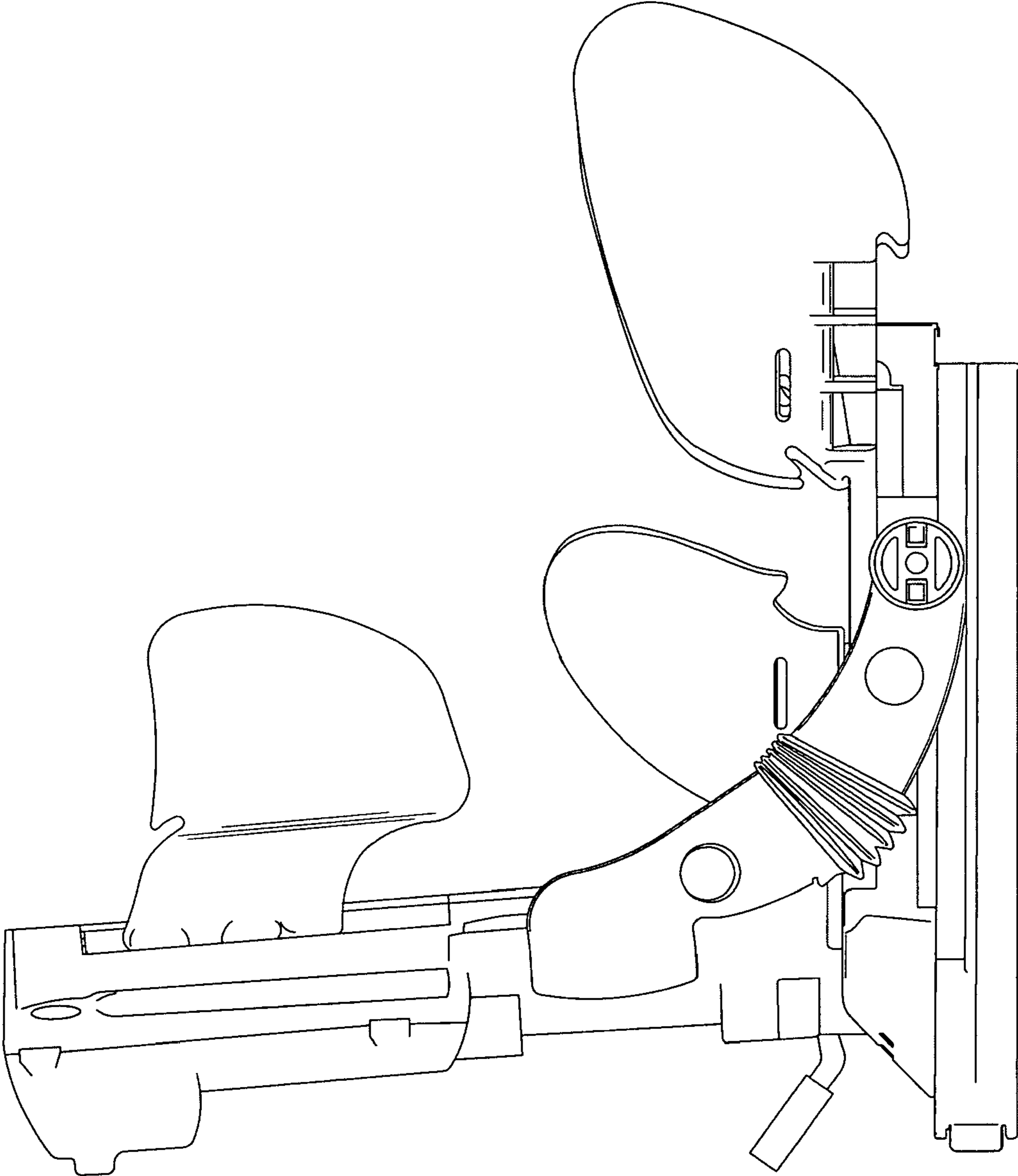


FIG. 2

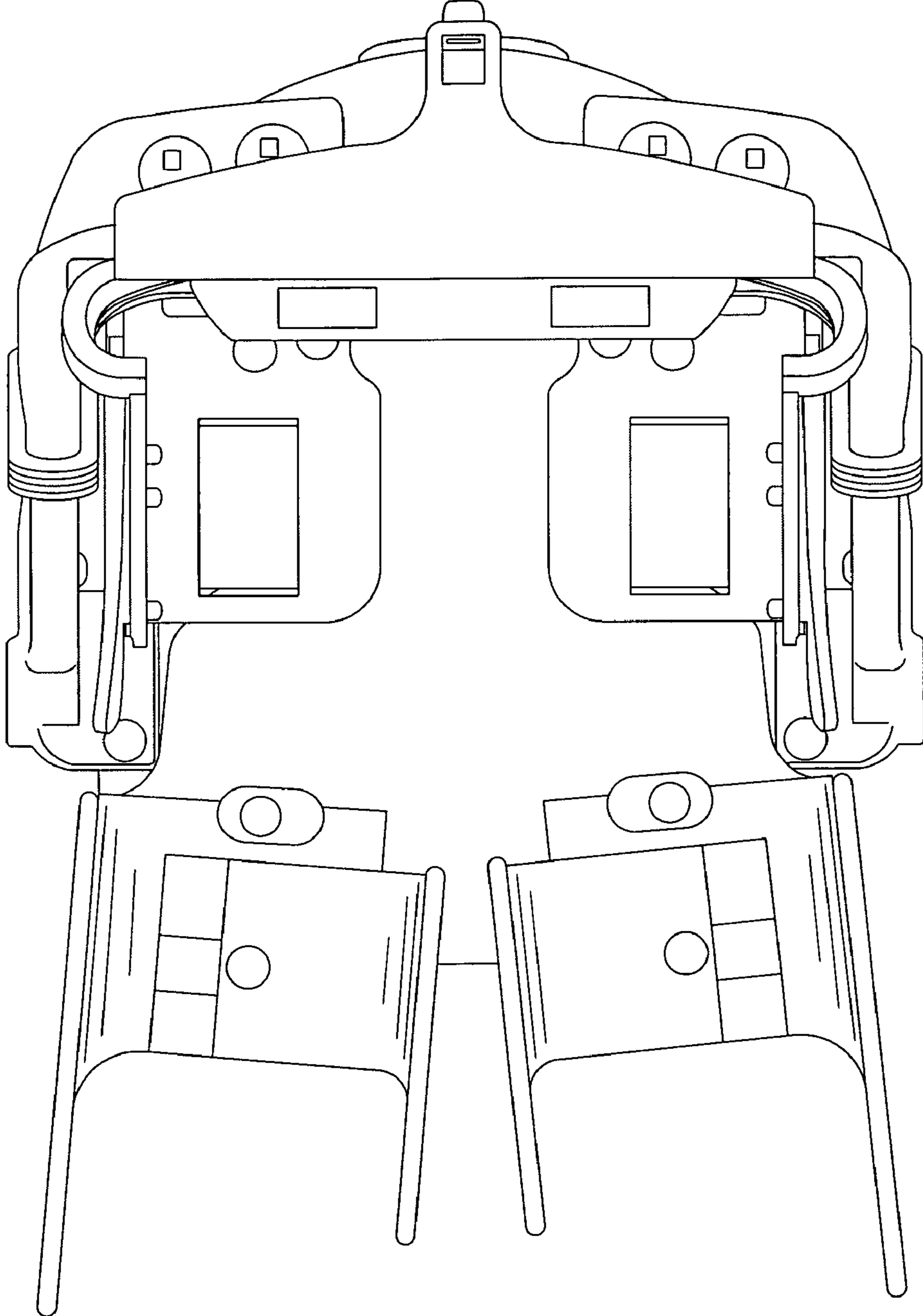


FIG. 3

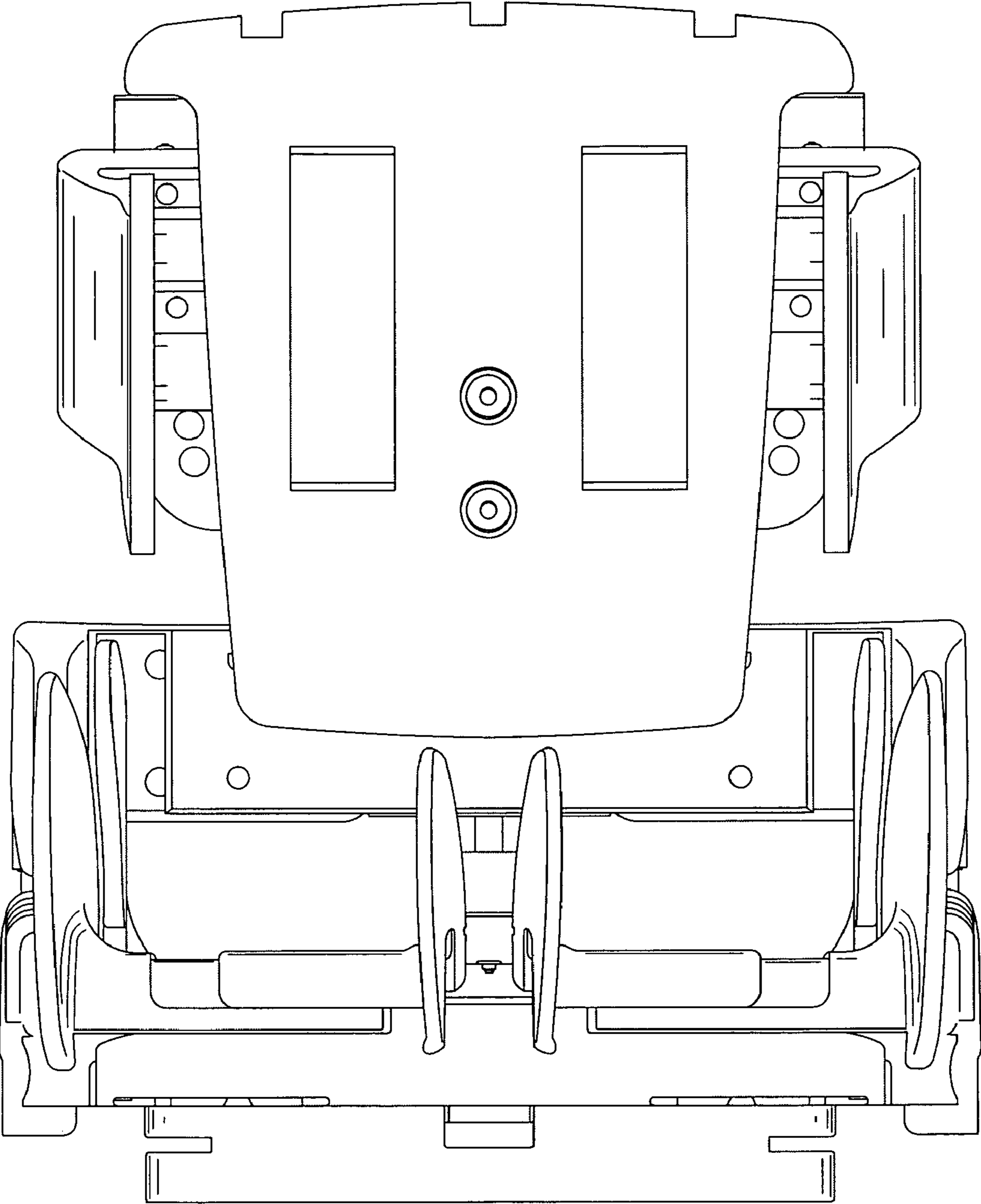


FIG. 4