

US00D598679S

(12) **United States Design Patent**
Domack et al.

(10) **Patent No.:** **US D598,679 S**
(45) **Date of Patent:** **** Aug. 25, 2009**

(54) **PUB TABLE**

D502,620 S 3/2005 McDaniel et al.
D532,998 S * 12/2006 Domack et al. D6/480
D552,892 S 10/2007 Everson

(75) Inventors: **Randy D. Domack**, Trempealeau, WI
(US); **Terry A. Everson**, Blair, WI (US)

OTHER PUBLICATIONS

(73) Assignee: **Ashley Furniture Industries, Inc.**,
Arcadia, WI (US)

Riverside Furniture, Medley Pub Table photograph, prior to Jul. 24,
2008.
Lattimore T282, Ashley Furniture, prior to Jul. 24, 2008.
Charade D187-15-01(4), Ashley Furniture Industries Product Cata-
log, vol. 6, Series 1, 2004, p. 123.

(**) Term: **14 Years**

* cited by examiner

(21) Appl. No.: **29/310,062**

(22) Filed: **Jul. 24, 2008**

Primary Examiner—Janice E Seeger
(74) *Attorney, Agent, or Firm*—Patterson, Thuente, Skaar &
Christensen, P.A.

(51) **LOC (9) Cl.** **06-03**

(52) **U.S. Cl.** **D6/488**

(58) **Field of Classification Search** D6/480–489,
D6/495–499, 439–431, 423, 477–479; 108/150,
108/153.1, 155, 156, 161, 115, 118, 131,
108/129, 132, 120; 248/188, 188.1, 188.8
See application file for complete search history.

(57) **CLAIM**

The ornamental design for a pub table, as shown and
described.

(56) **References Cited**

DESCRIPTION

U.S. PATENT DOCUMENTS

D247,402 S * 3/1978 Cohen D6/414
D247,557 S 3/1978 Hemmy
D322,190 S * 12/1991 Adamson D6/484
D337,461 S 7/1993 Martin
D406,966 S 3/1999 Hsieh
D411,393 S 6/1999 Mendoza
D412,257 S * 7/1999 Mendoza D6/495
D423,827 S 5/2000 Tseng
D426,088 S * 6/2000 Hodge D6/488
D436,471 S 1/2001 Rehmert et al.
D449,187 S 10/2001 Maitland-Smith
D497,064 S 10/2004 Domack

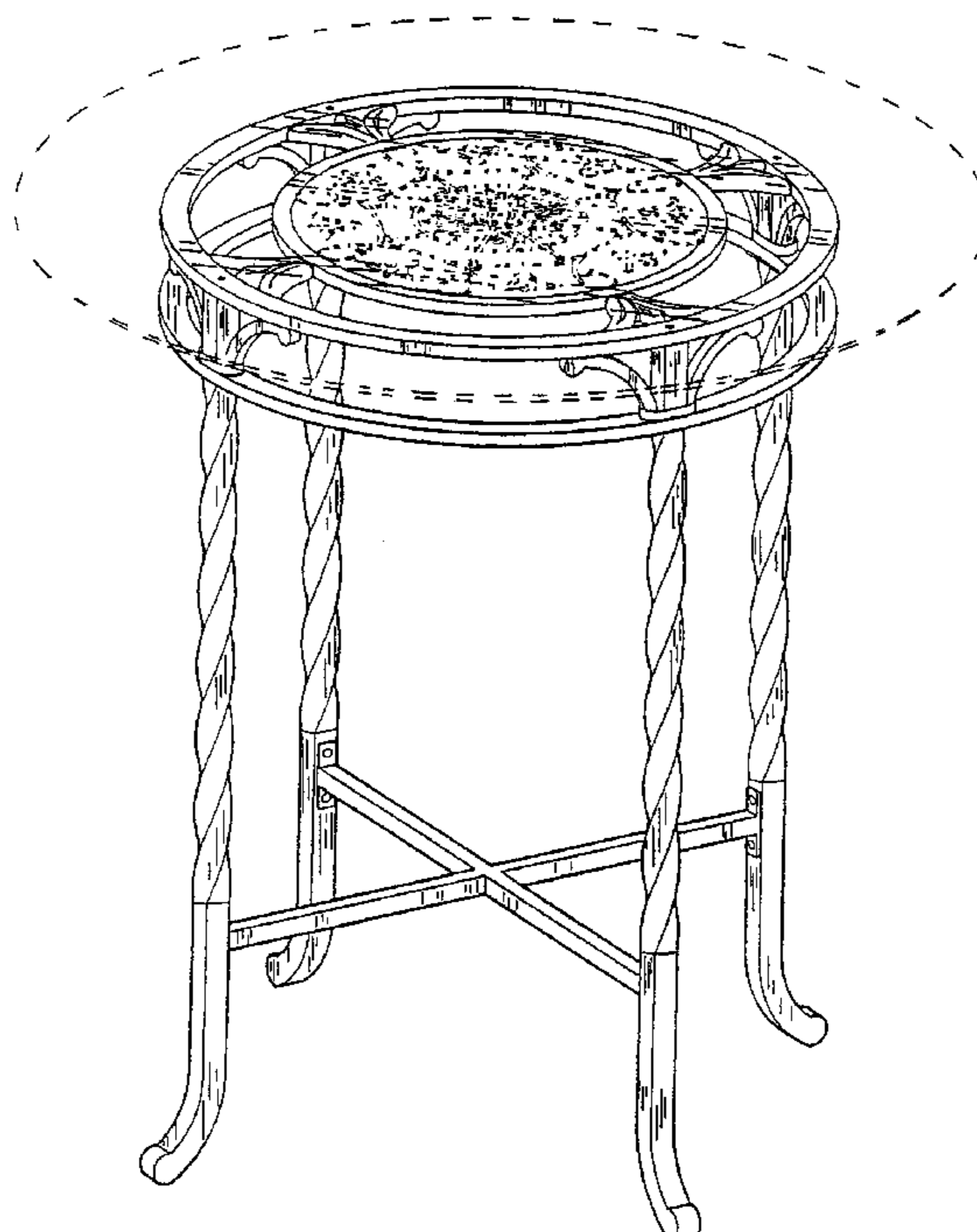
FIG. 1 is a front corner perspective view of a pub table
according to an embodiment of the invention. The view from
the opposite back corner being identical to this view.

FIG. 2 is a side elevational view of a pub table according to an
embodiment of the invention. The view from each side being
identical hereto; and,

FIG. 3 is a top plan view of a pub table according to an
embodiment of the invention.

The portions of the figures shown in dashed lines are for
illustrative purposes only and form no part of the claimed
invention.

1 Claim, 3 Drawing Sheets



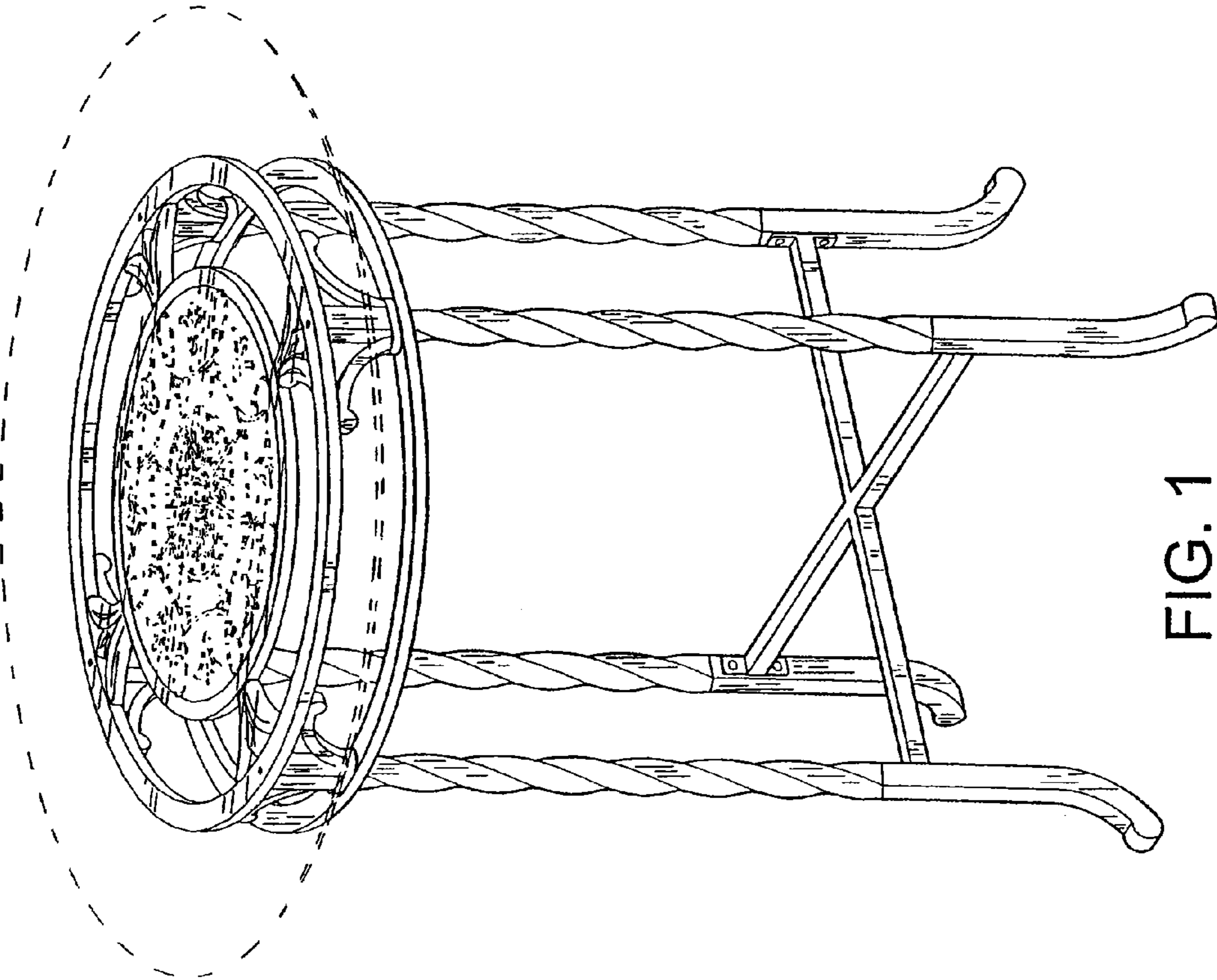


FIG. 1

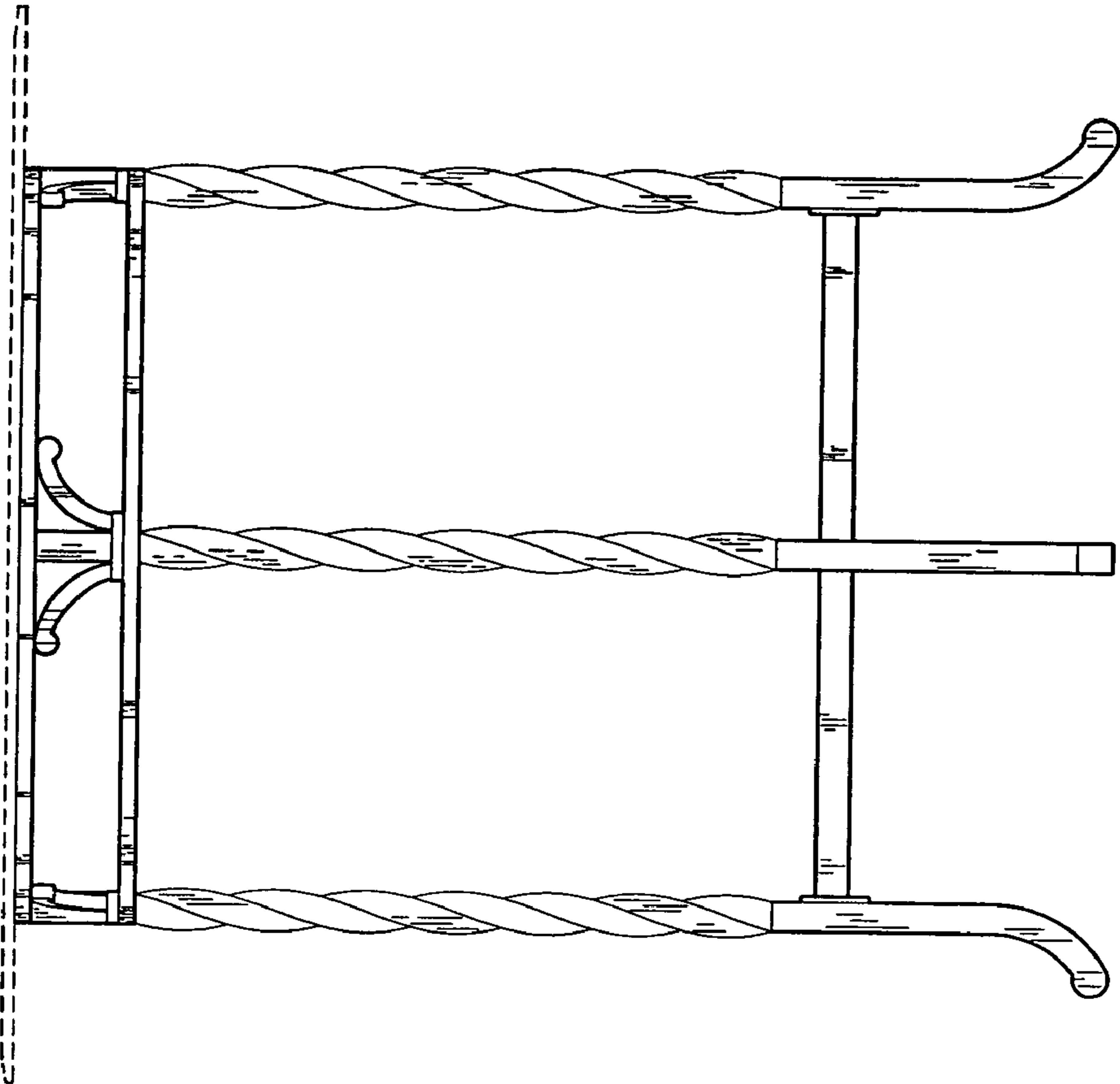


FIG. 2

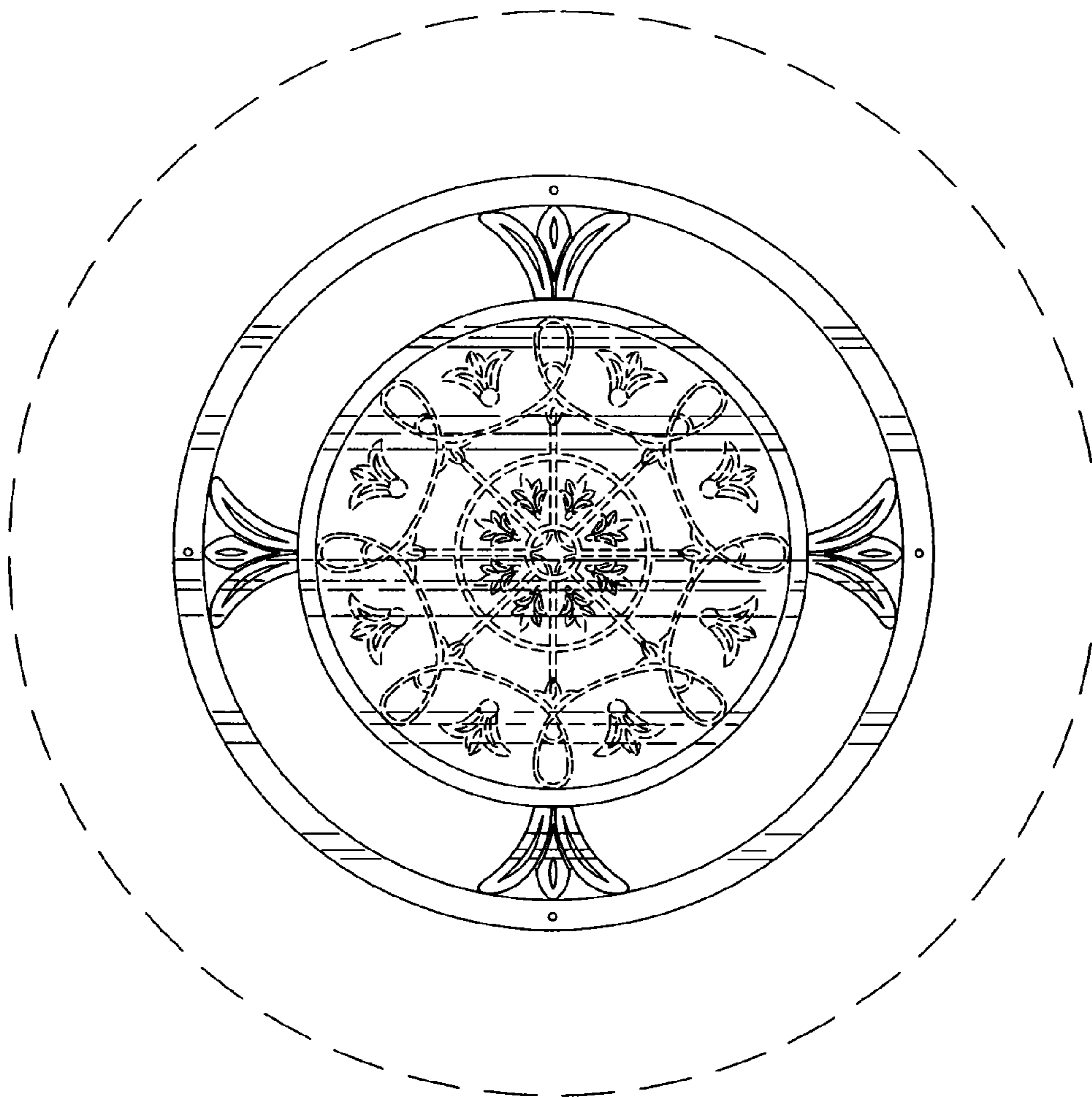


FIG. 3